



US00D406111S

United States Patent [19]
Awbrey

[11] **Patent Number: Des. 406,111**

[45] **Date of Patent: **Feb. 23, 1999**

[54] **FUSE BLOCK**

[75] Inventor: **Jerry Awbrey**, Winder, Ga.

[73] Assignee: **Esoteric Audio U.S.A. Inc.**, Winder, Ga.

[**] Term: **14 Years**

[21] Appl. No.: **82,818**

[22] Filed: **Jan. 9, 1998**

[51] **LOC (6) Cl.** **13-03**

[52] **U.S. Cl.** **D13/178**

[58] **Field of Search** D13/146, 147,
D13/151, 161, 178; 337/181, 186-189,
194-196, 205, 213; 439/621, 622, 698;
361/642, 833, 834

[56] **References Cited**

U.S. PATENT DOCUMENTS

1,438,646	12/1922	Hitner	361/642
1,726,492	8/1929	Kantor	337/205
1,856,423	5/1932	Olley	361/833
5,167,541	12/1992	Alves et al.	439/622

Primary Examiner—Alan P. Douglas
Assistant Examiner—Lavone D. Tabor
Attorney, Agent, or Firm—Thomas, Kayden, Horstemeyer & Riskey

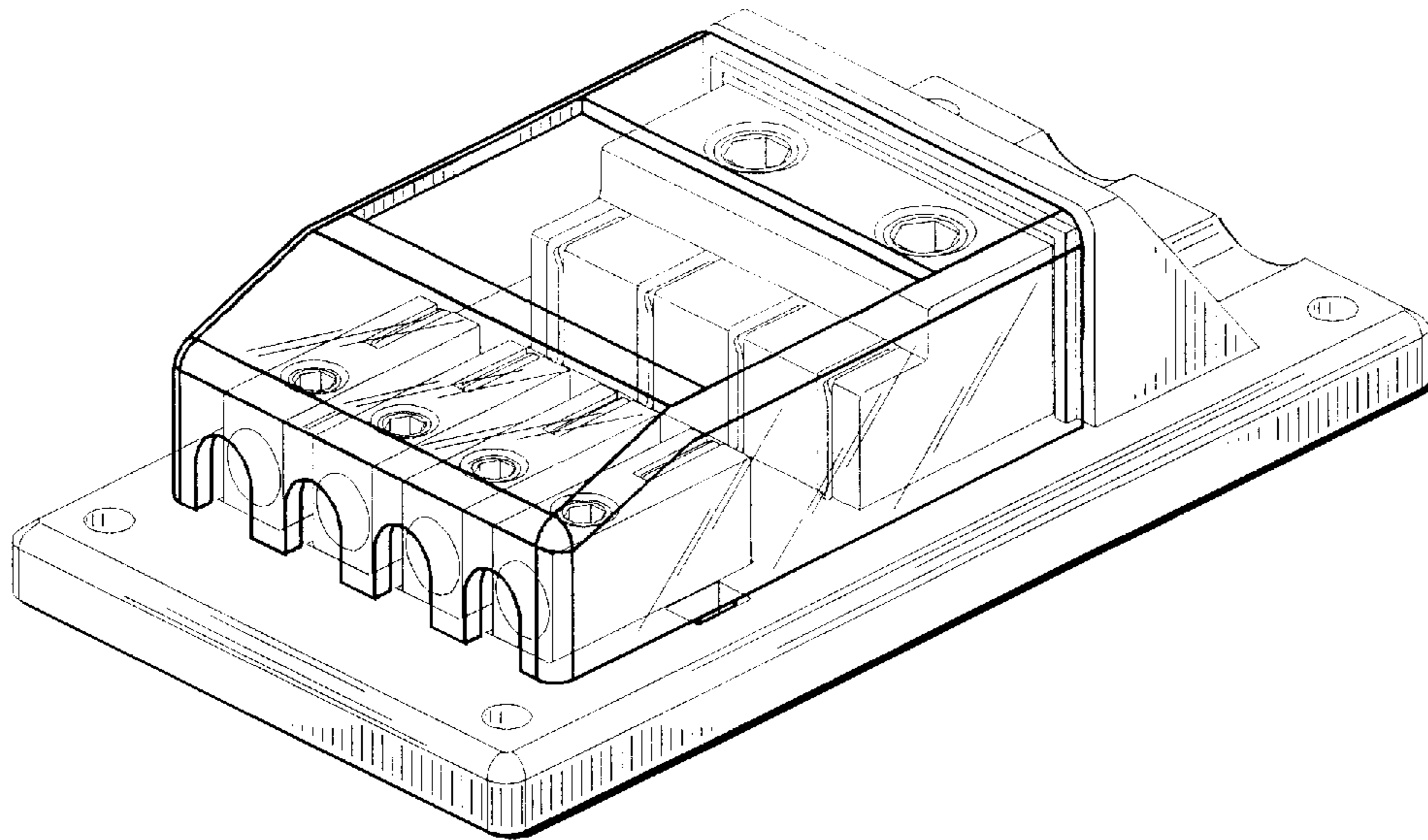
[57] **CLAIM**

The ornamental design for a fuse block, as shown and described.

DESCRIPTION

FIG. 1 is a perspective view of a fuse block in accordance with of the present invention;
FIG. 2 is a bottom view of the fuse block shown in FIG. 1;
FIG. 3 is a left side view of the fuse block shown in FIG. 1;
FIG. 4 is a top view of the fuse block shown in FIG. 1;
FIG. 5 is a front view of the fuse block shown in FIG. 1; and,
FIG. 6 is a rear view of the fuse block shown in FIG. 1.
The fuse block illustrated in the drawings includes a clear plastic cover that substantially encases the fuse area. This cover is illustrated by the shadowed lines in the drawings. Also, the fuse block is symmetric, wherein the right side view is the same is left side view of FIG. 3.

1 Claim, 3 Drawing Sheets



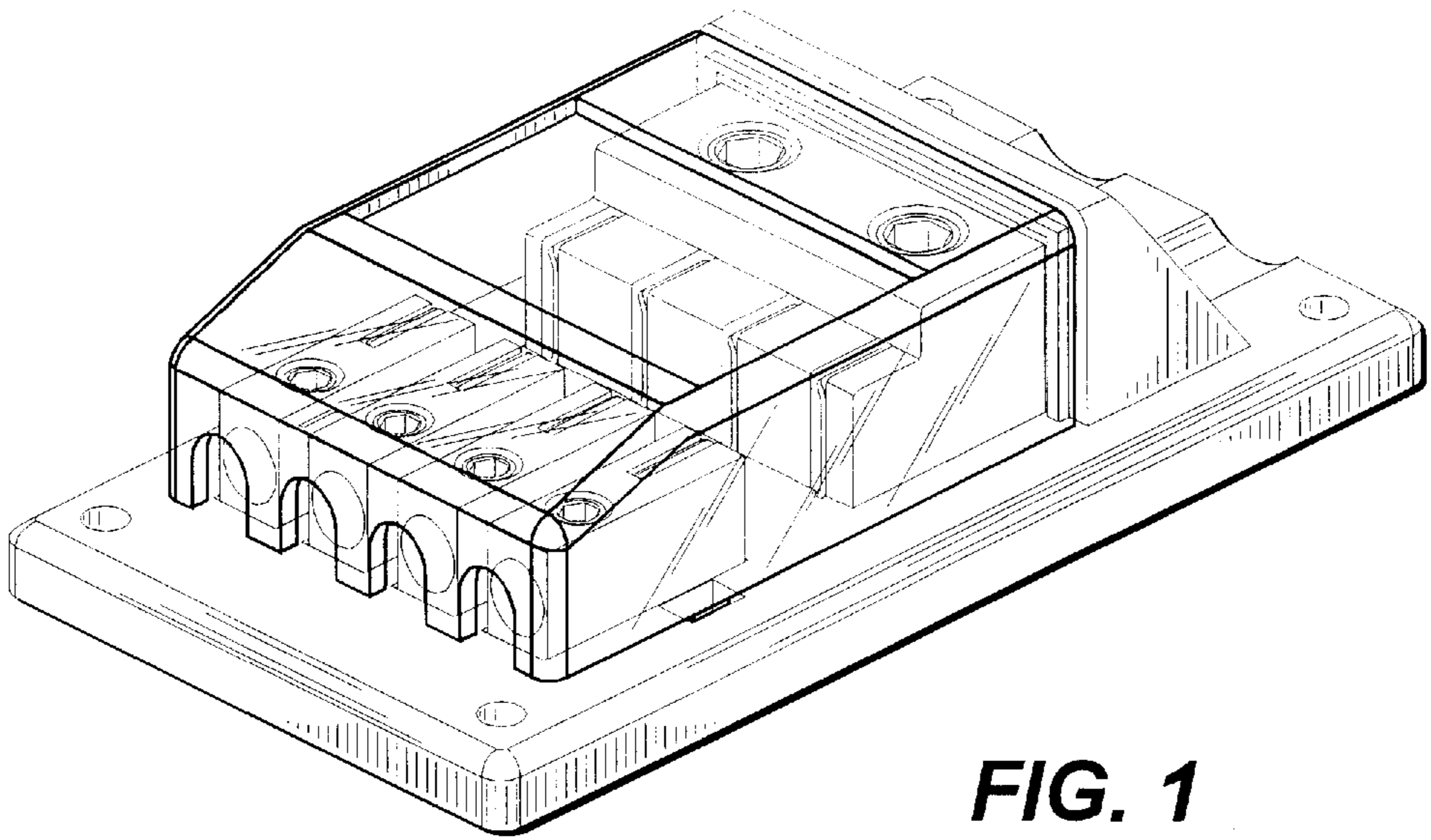


FIG. 1

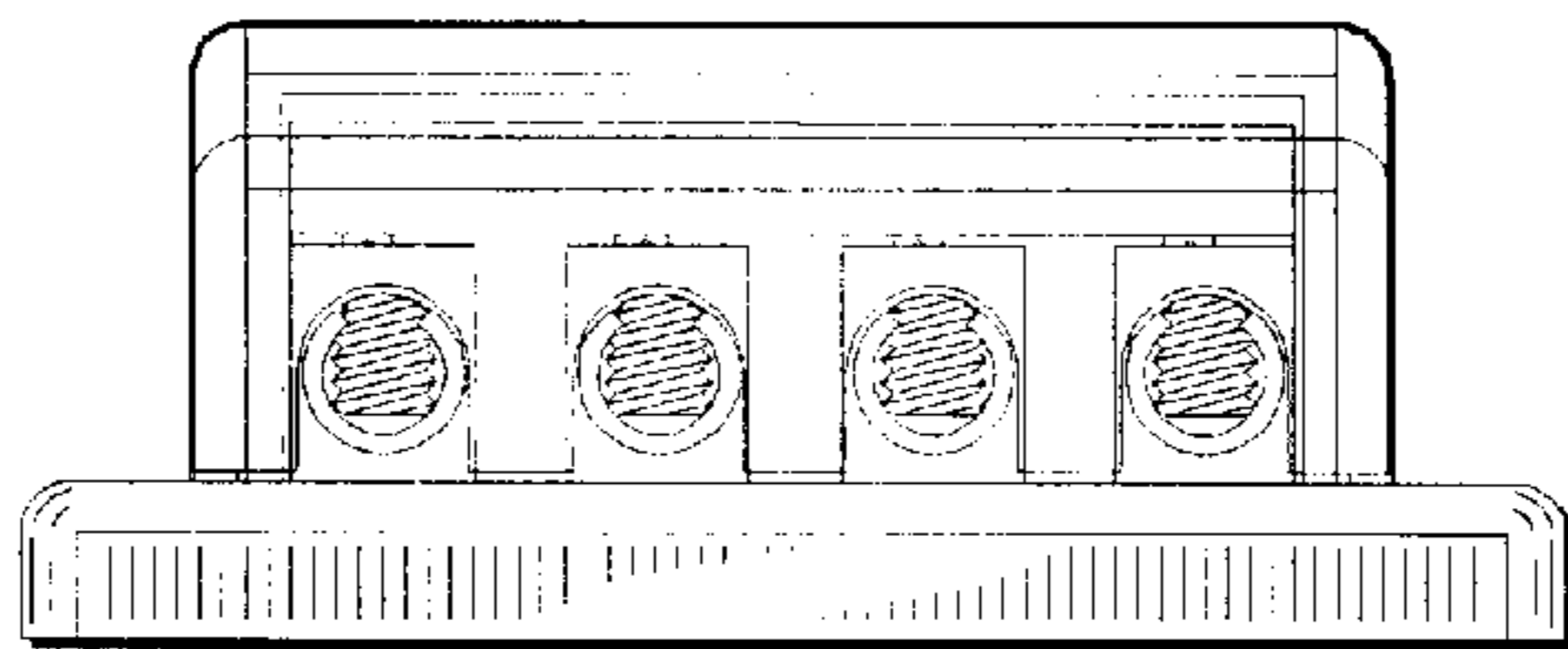


FIG. 2

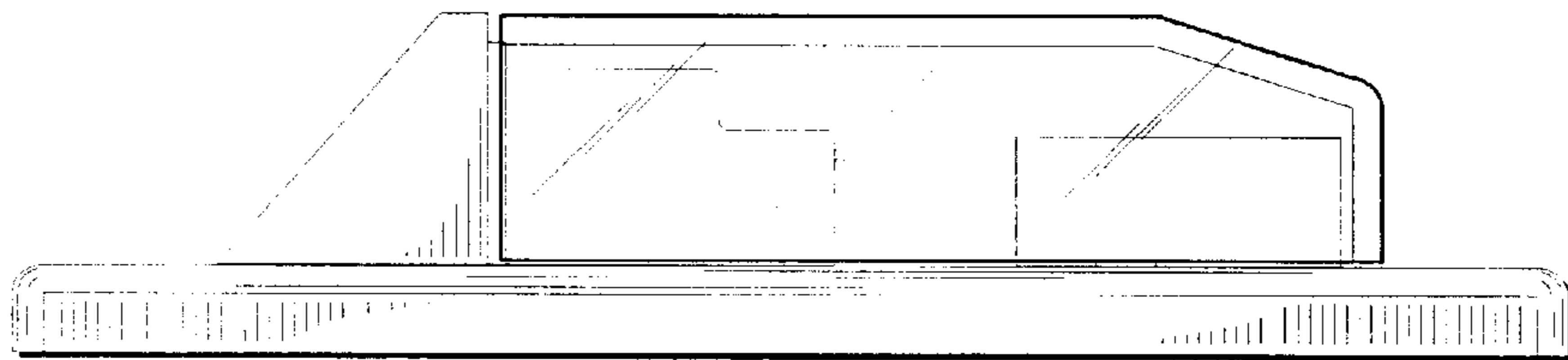


FIG. 3

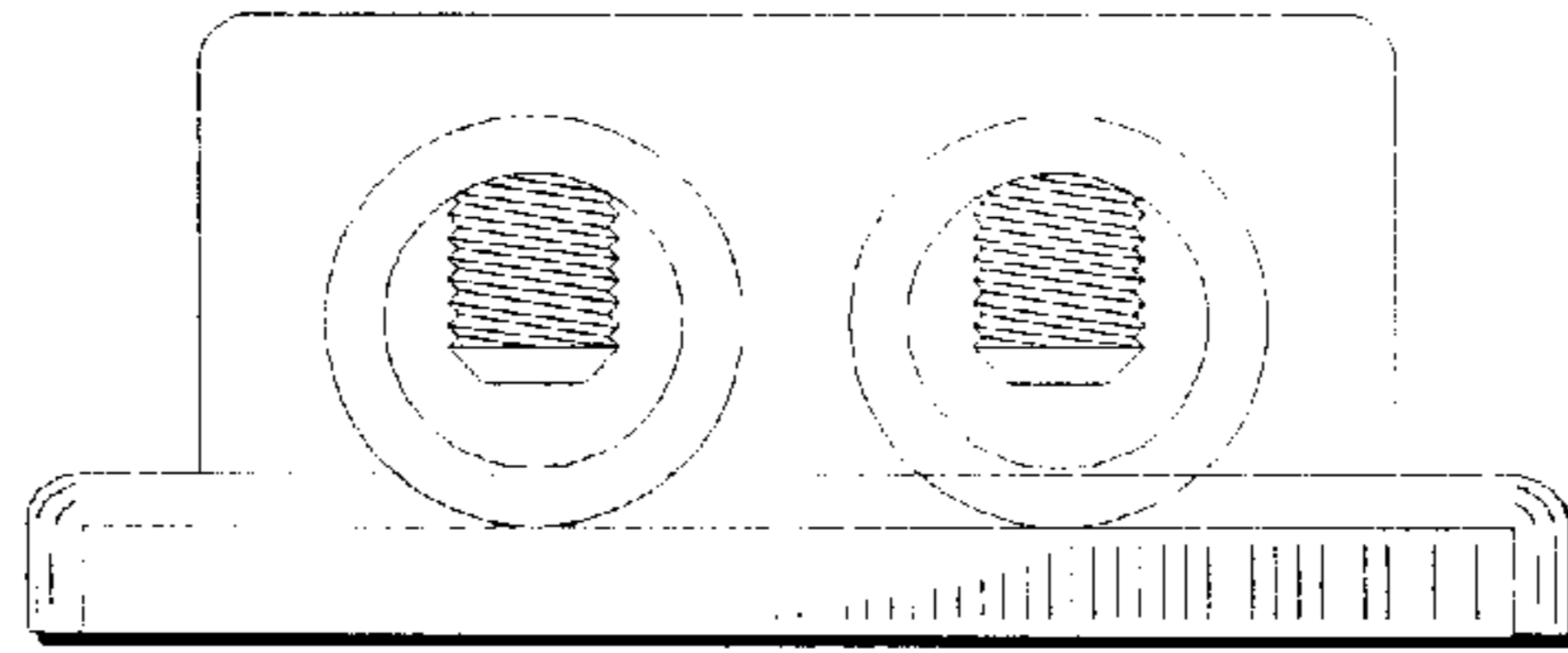


FIG. 4

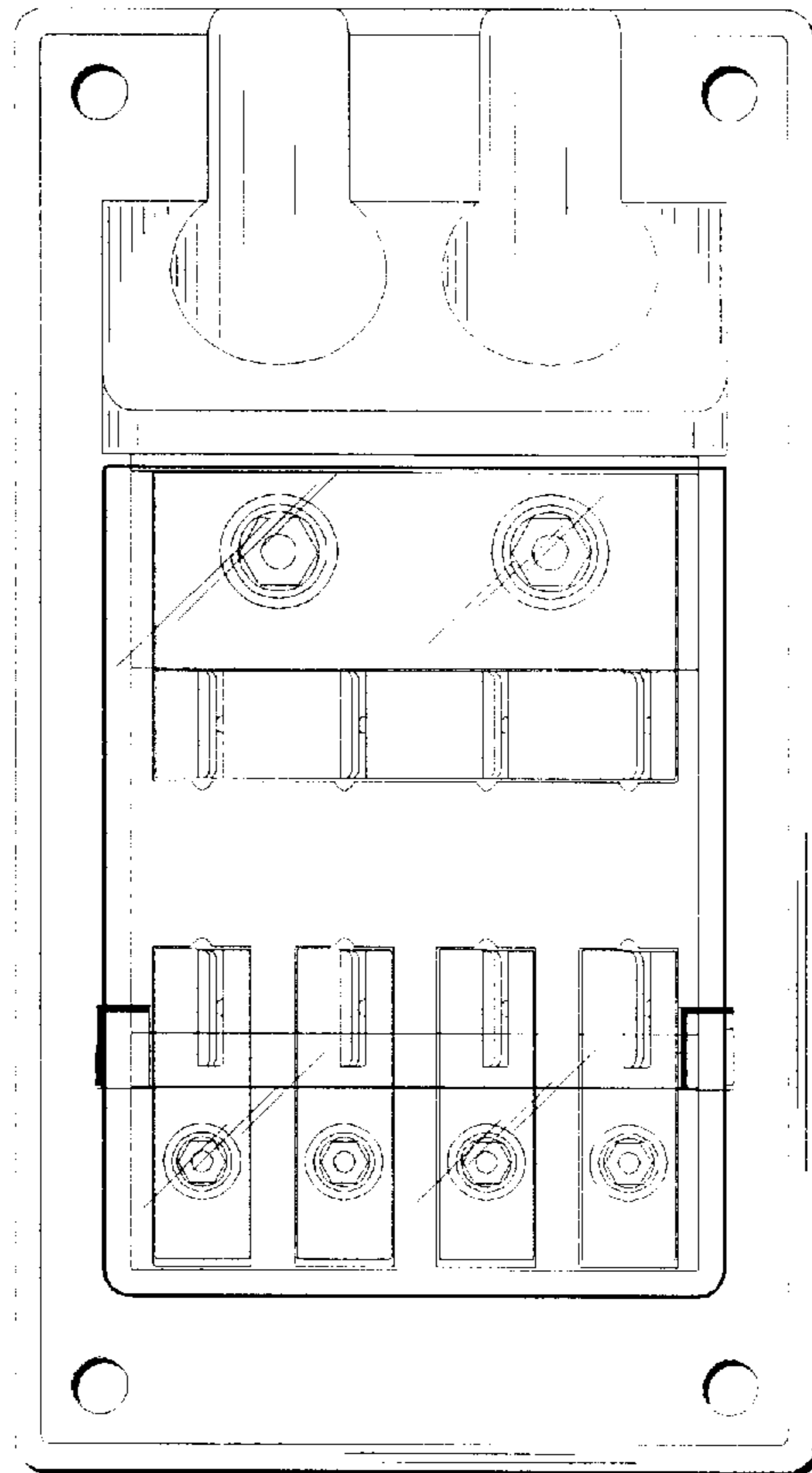


FIG. 5

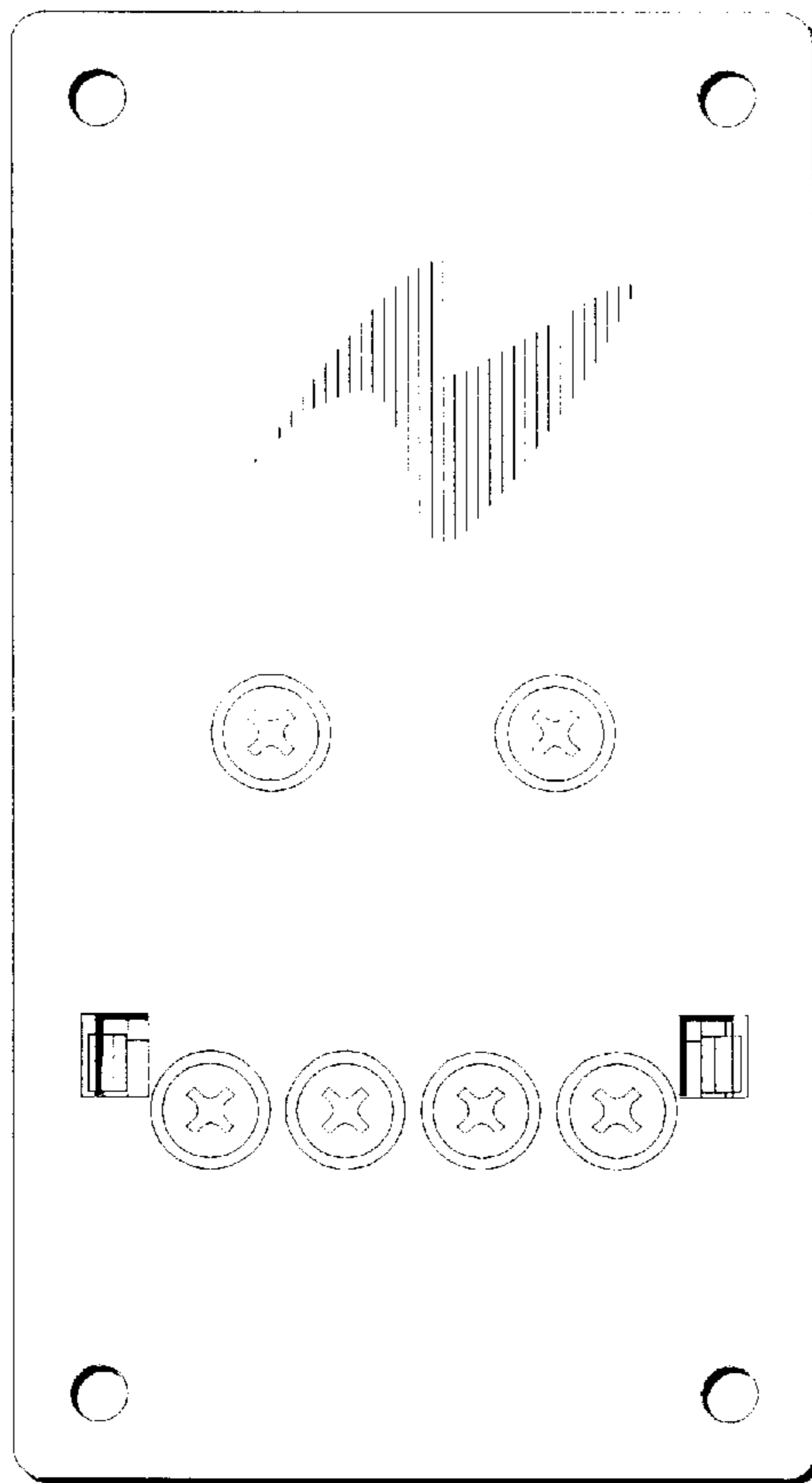


FIG. 6