



US00D406109S

United States Patent [19] Orton

[11] **Patent Number: Des. 406,109**

[45] **Date of Patent: **Feb. 23, 1999**

[54] **RADIO CONTROLLED MODEL SPEED CONTROLLER**

5,043,640 8/1991 Orton 318/16
5,577,154 11/1996 Orton 318/16 X

[76] Inventor: **Kevin R. Orton**, Tekin Electronics, Inc., 940 Calle Negocio, San Clemente, Calif. 92673

Primary Examiner—Brian N. Vinson
Attorney, Agent, or Firm—Loyal McKinley Hanson

[**] Term: **14 Years**

[57] **CLAIM**

The ornamental design for a radio controlled model speed controller, as shown.

[21] Appl. No.: **85,209**

[22] Filed: **Mar. 18, 1998**

DESCRIPTION

[51] **LOC (6) Cl.** **13-03**

FIG. 1 of the drawings is a front, top, and right side perspective view of a radio controlled model speed controller showing my design;

[52] **U.S. Cl.** **D13/168**

FIG. 2 is a front view of the speed controller;

[58] **Field of Search** D13/162, 168;
D21/324; D14/174, 191, 218; 340/825,
825.22, 825.23, 825.24, 825.25, 825.31,
825.32, 825.36, 825.58, 825.69, 825.72;
123/179.2; 341/176; 318/16

FIG. 3 is a top view;

FIG. 4 is a right side view;

FIG. 5 is a left side view;

FIG. 6 is a back view; and,

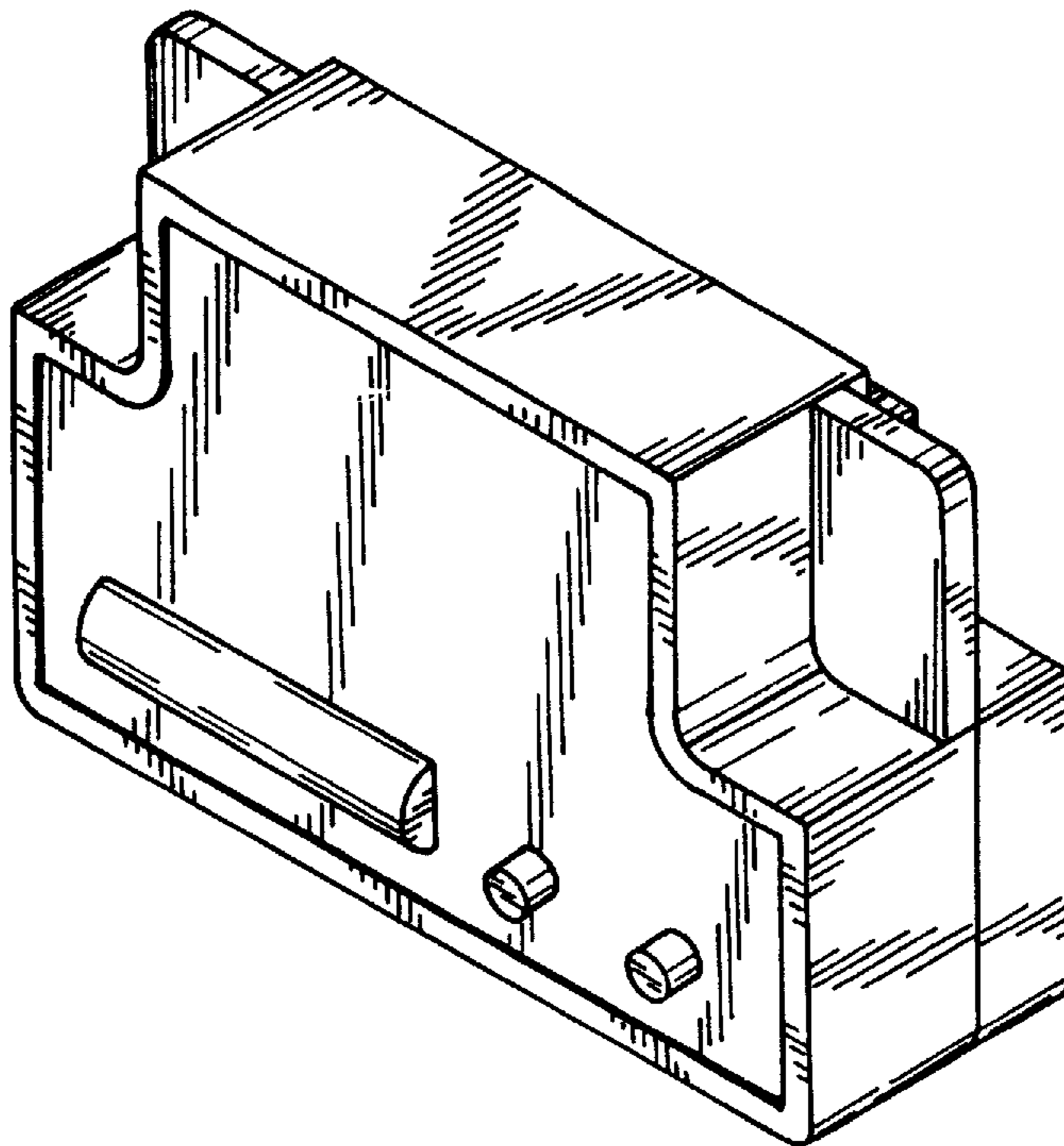
FIG. 7 is a bottom view.

[56] **References Cited**

U.S. PATENT DOCUMENTS

4,584,504 4/1986 Lee et al. 318/16

1 Claim, 2 Drawing Sheets



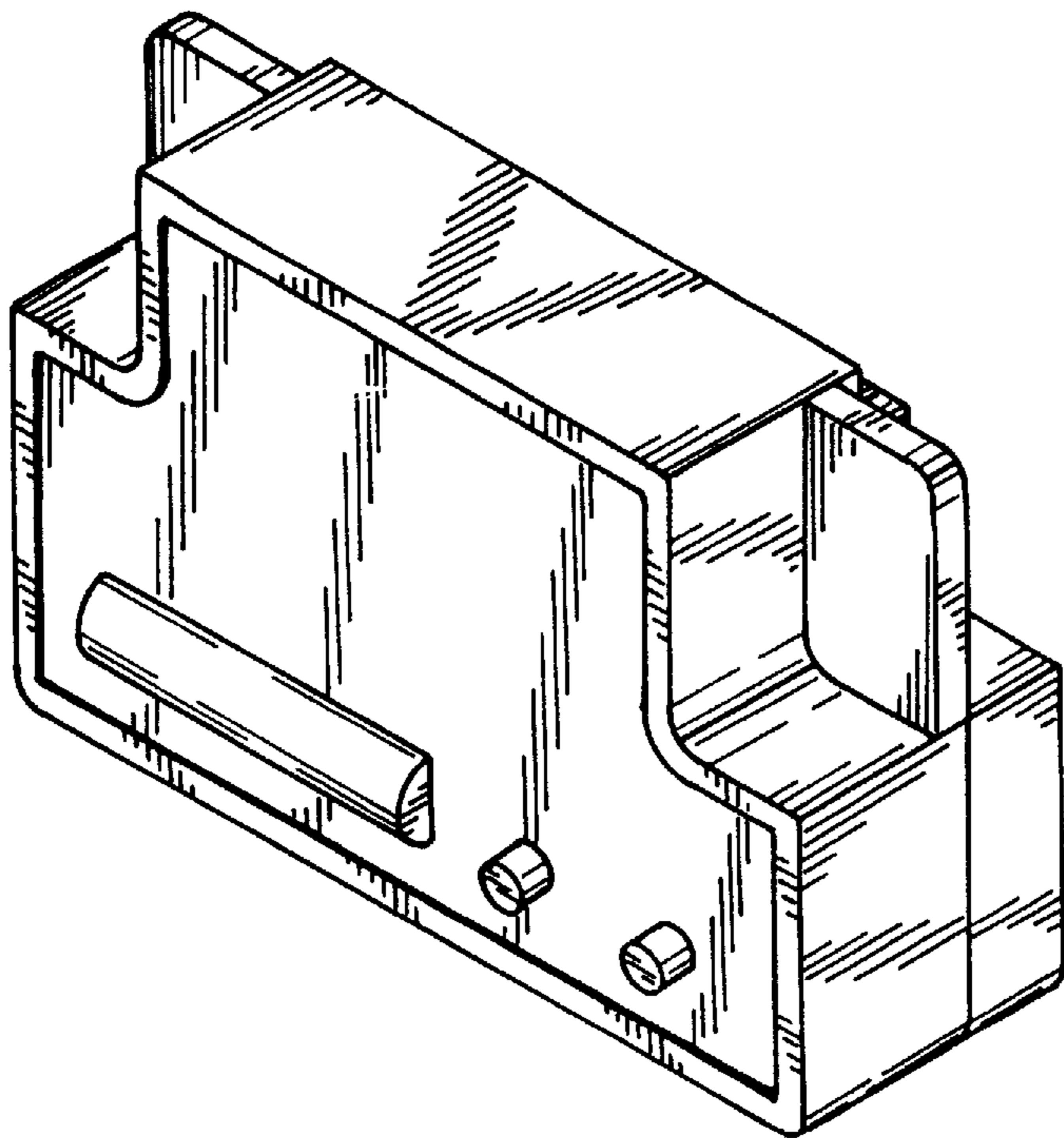


FIG. 1

FIG. 2

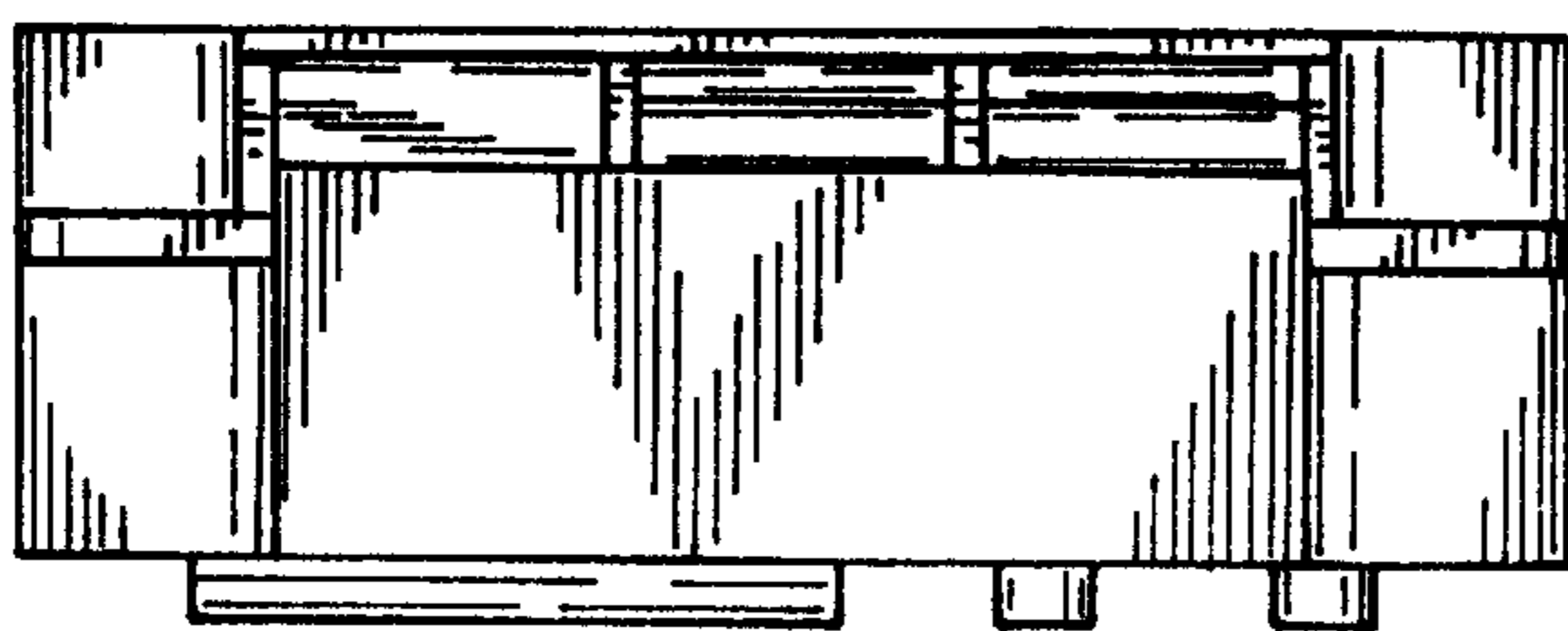
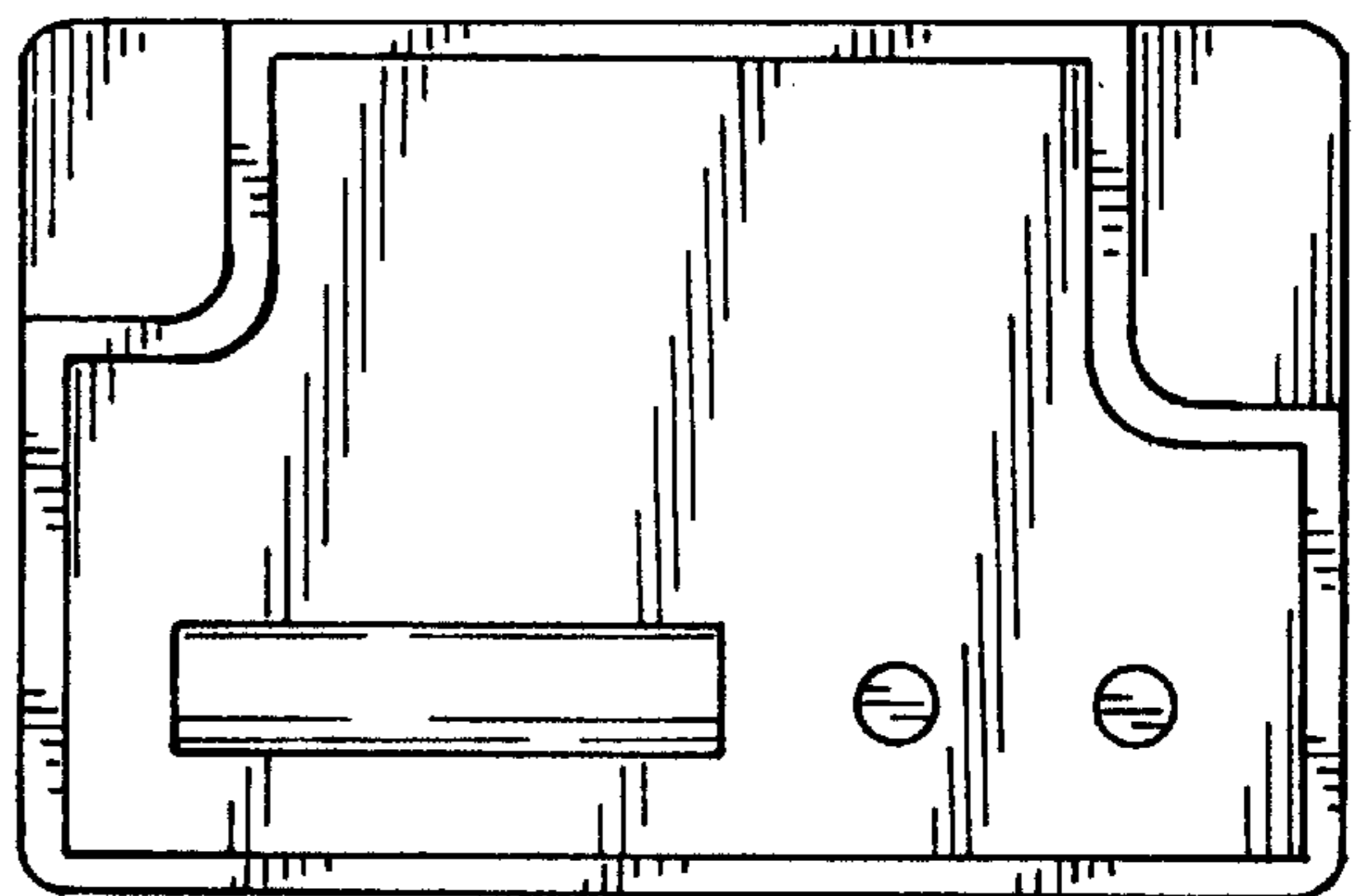


FIG. 3

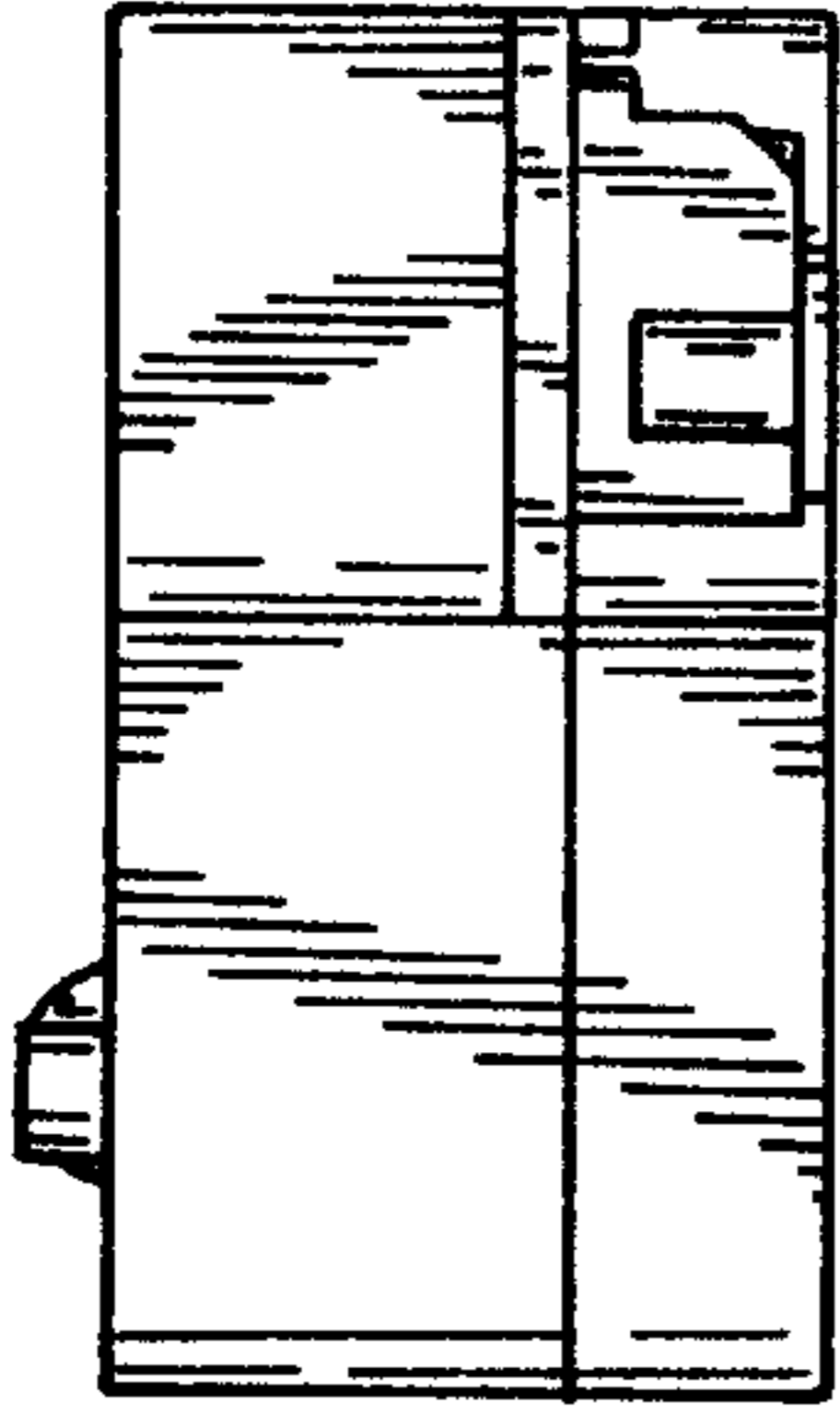


FIG. 4

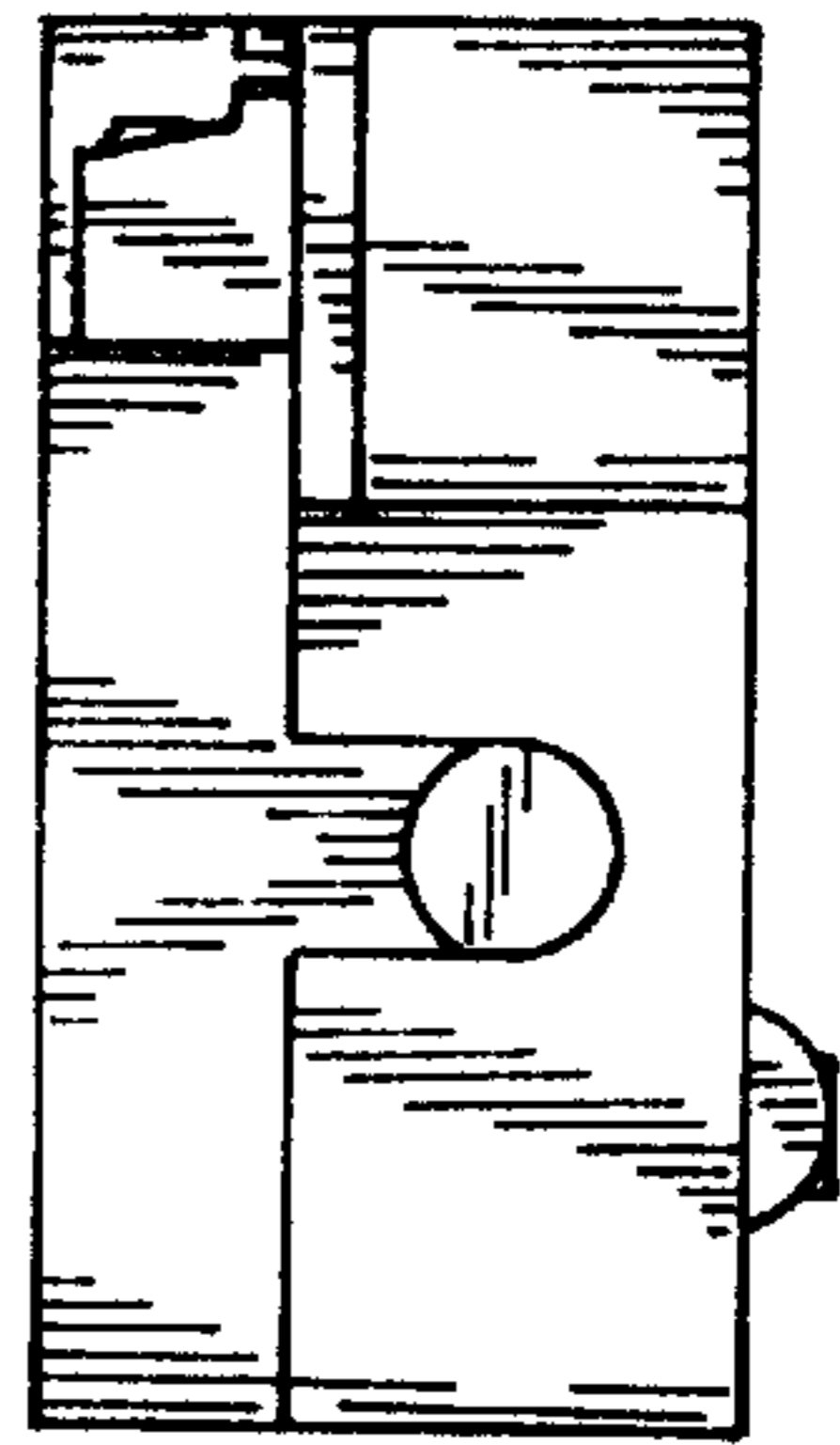


FIG. 5

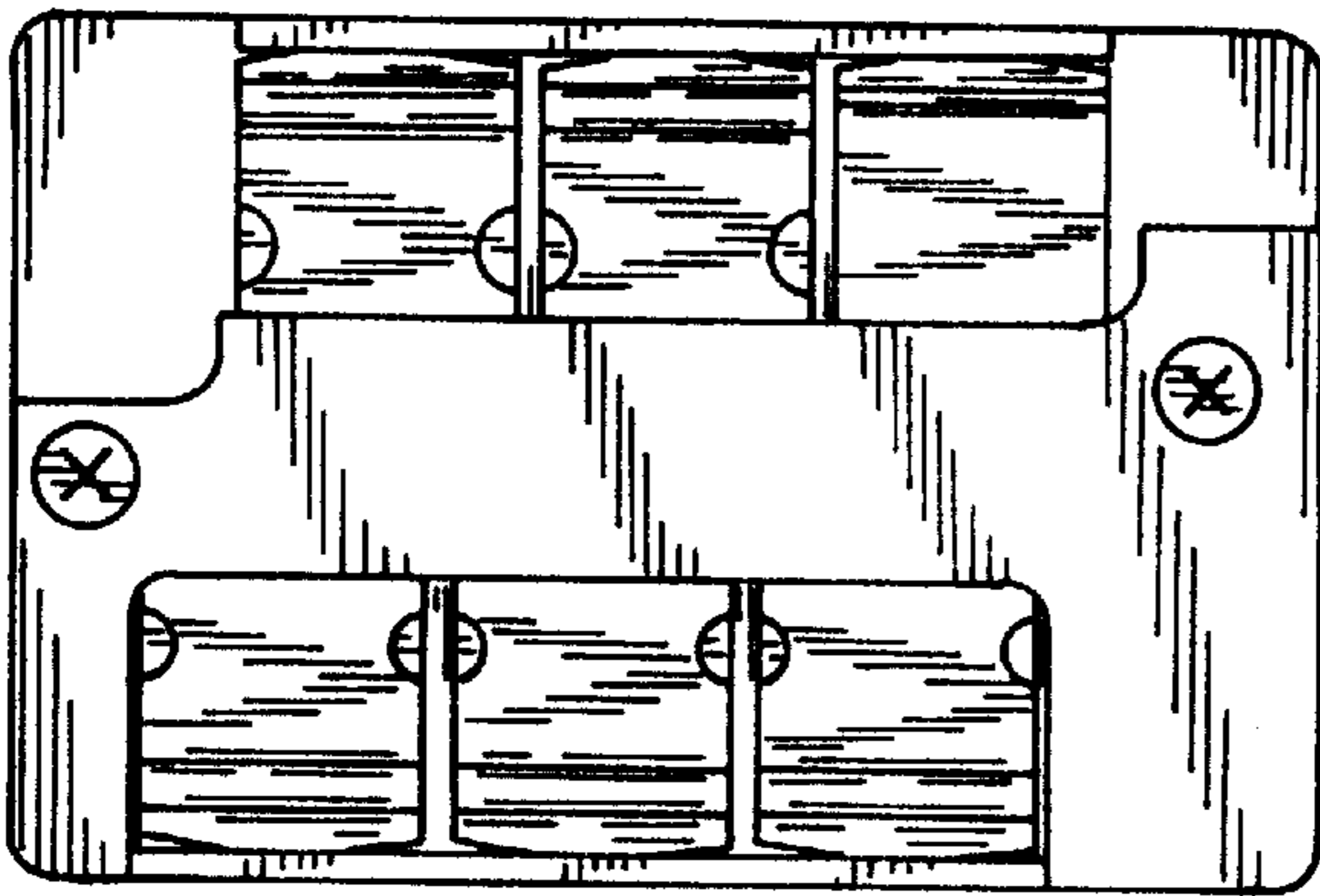


FIG. 6

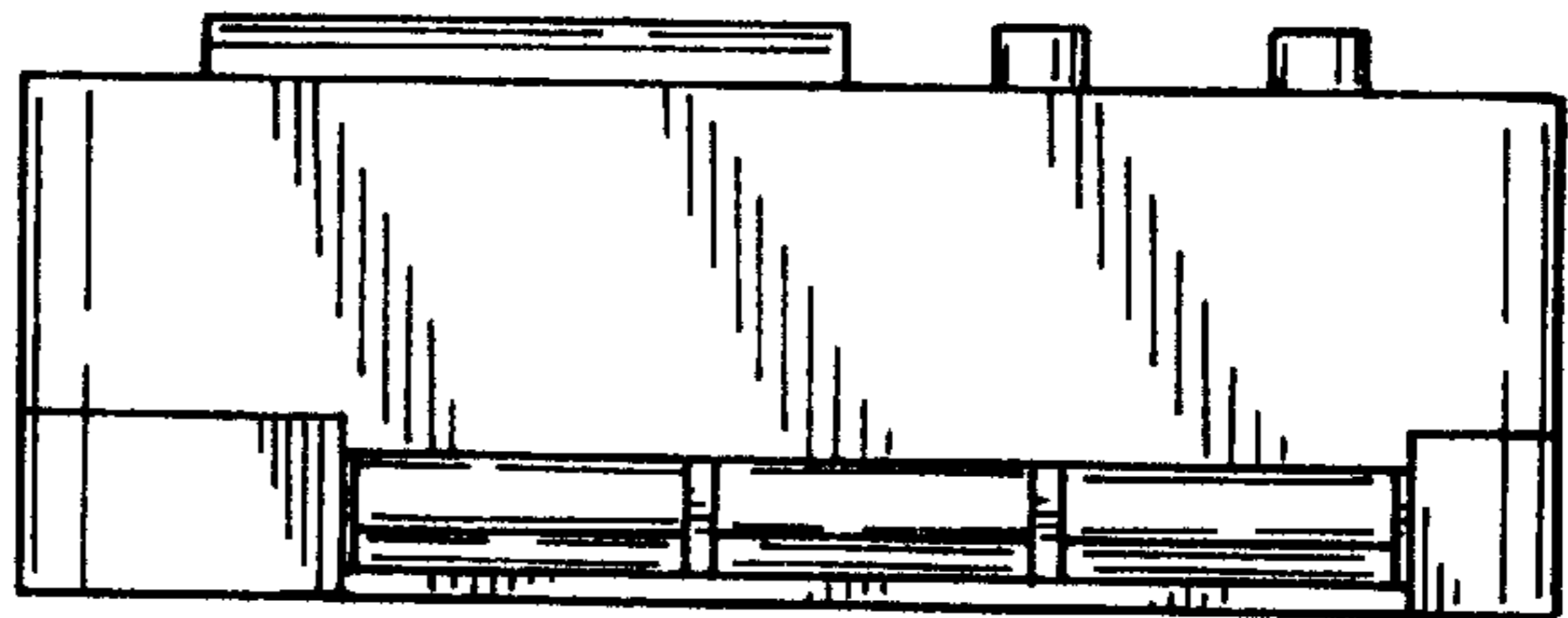


FIG. 7