



US00D406106S

United States Patent [19] Gonser

[11] **Patent Number: Des. 406,106**

[45] **Date of Patent: **Feb. 23, 1999**

[54] **POWER CIRCUIT-BREAKER**

[75] Inventor: **Theodor Gonser**, Munich, Germany

[73] Assignee: **Siemens Aktiengesellschaft**, Munich, Germany

[**] Term: **14 Years**

[21] Appl. No.: **68,546**

[22] Filed: **Feb. 27, 1997**

[30] **Foreign Application Priority Data**

Aug. 27, 1996 [DE] Germany M 96 07 460.4

[51] **LOC (6) Cl.** **13-03**

[52] **U.S. Cl.** **D13/160**

[58] **Field of Search** D13/159, 160;
200/237, 293, 297, 302.3

[56] **References Cited**

U.S. PATENT DOCUMENTS

D. 183,811 10/1958 Schaus D13/160

D. 234,601 3/1975 Hague D13/160

| | | | |
|------------|--------|---------------------|-----------|
| D. 315,333 | 3/1991 | Barbier et al. | D13/160 |
| D. 323,815 | 2/1992 | Bouteiller | D13/159 |
| D. 334,174 | 3/1993 | Hosogai et al. | D13/160 |
| D. 359,948 | 7/1995 | Merlin | D13/160 |
| D. 370,465 | 6/1996 | Yee et al. | D13/159 |
| 5,493,083 | 2/1996 | Olivier | D13/160 X |

Primary Examiner—Brian N. Vinson
Attorney, Agent, or Firm—Kenyon & Kenyon

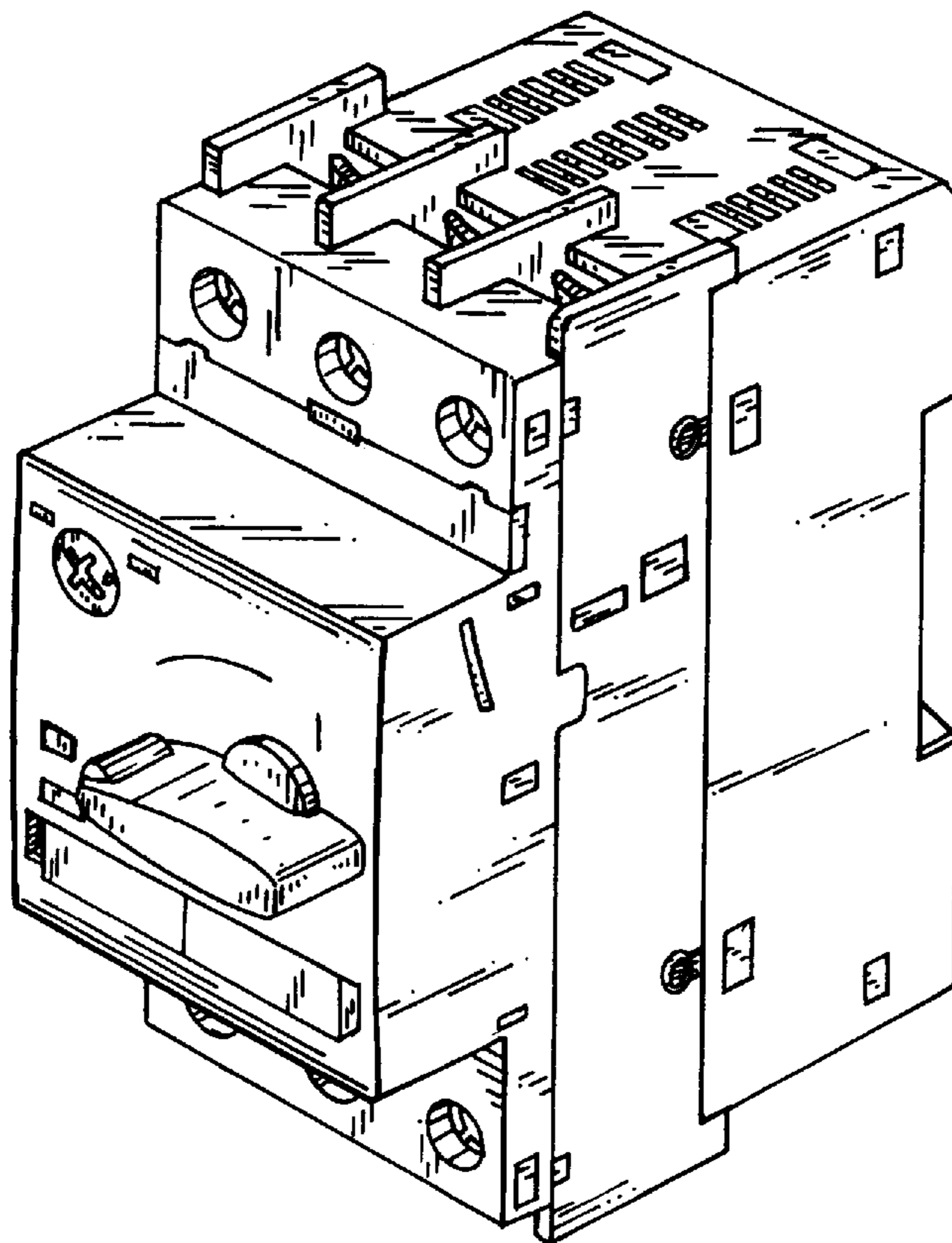
[57] **CLAIM**

The ornamental design for a power circuit-breaker, as shown and described.

DESCRIPTION

FIG. 1 is a view of the front of an power circuit breaker showing my new design;
FIG. 2 is a view of the right side of my design;
FIG. 3 is a view of the top of my design;
FIG. 4 is a view of the back of my design;
FIG. 5 is a view of the left side of my design;
FIG. 6 is a view of the bottom of my design; and,
FIG. 7 is a perspective view of my design.

1 Claim, 2 Drawing Sheets



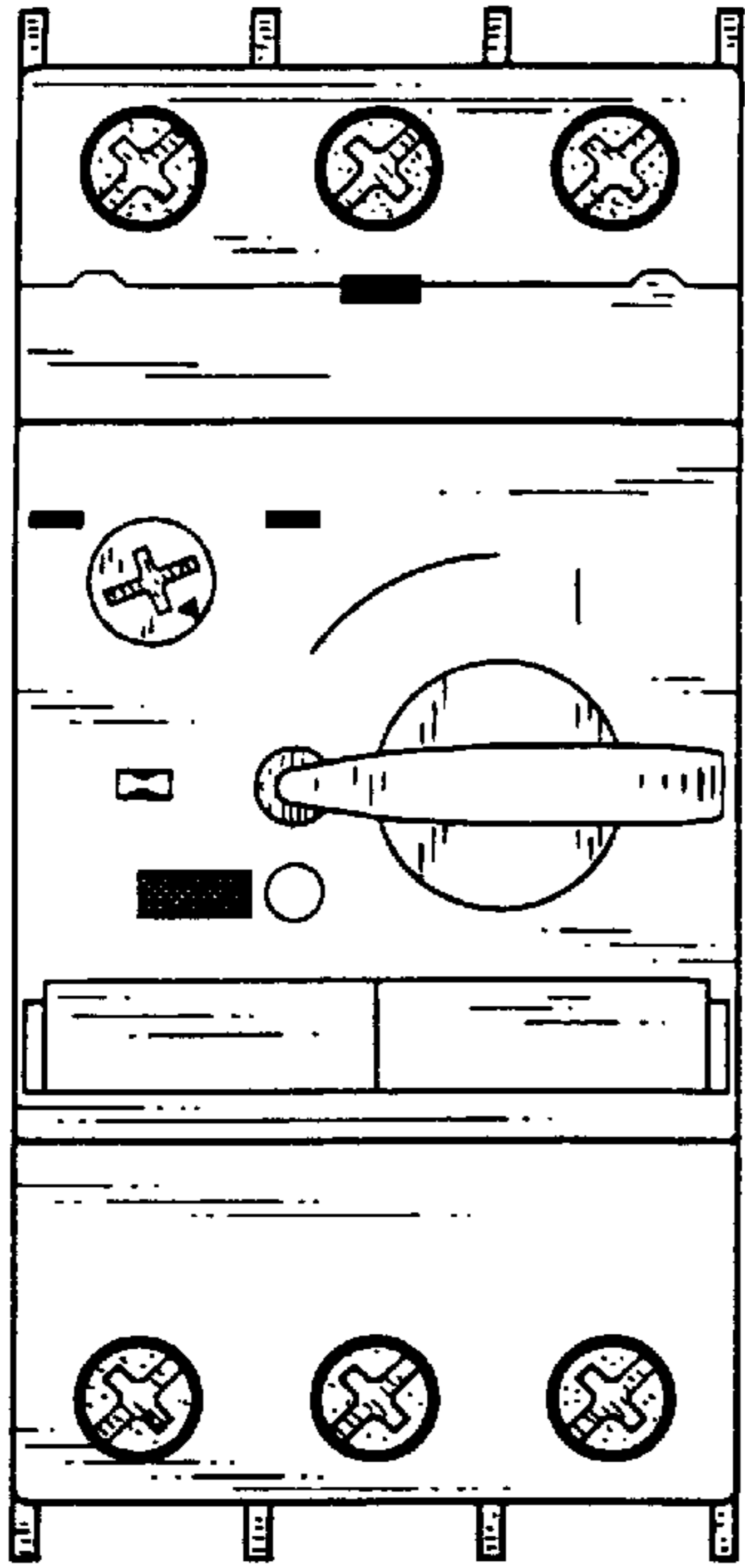


Fig. 1

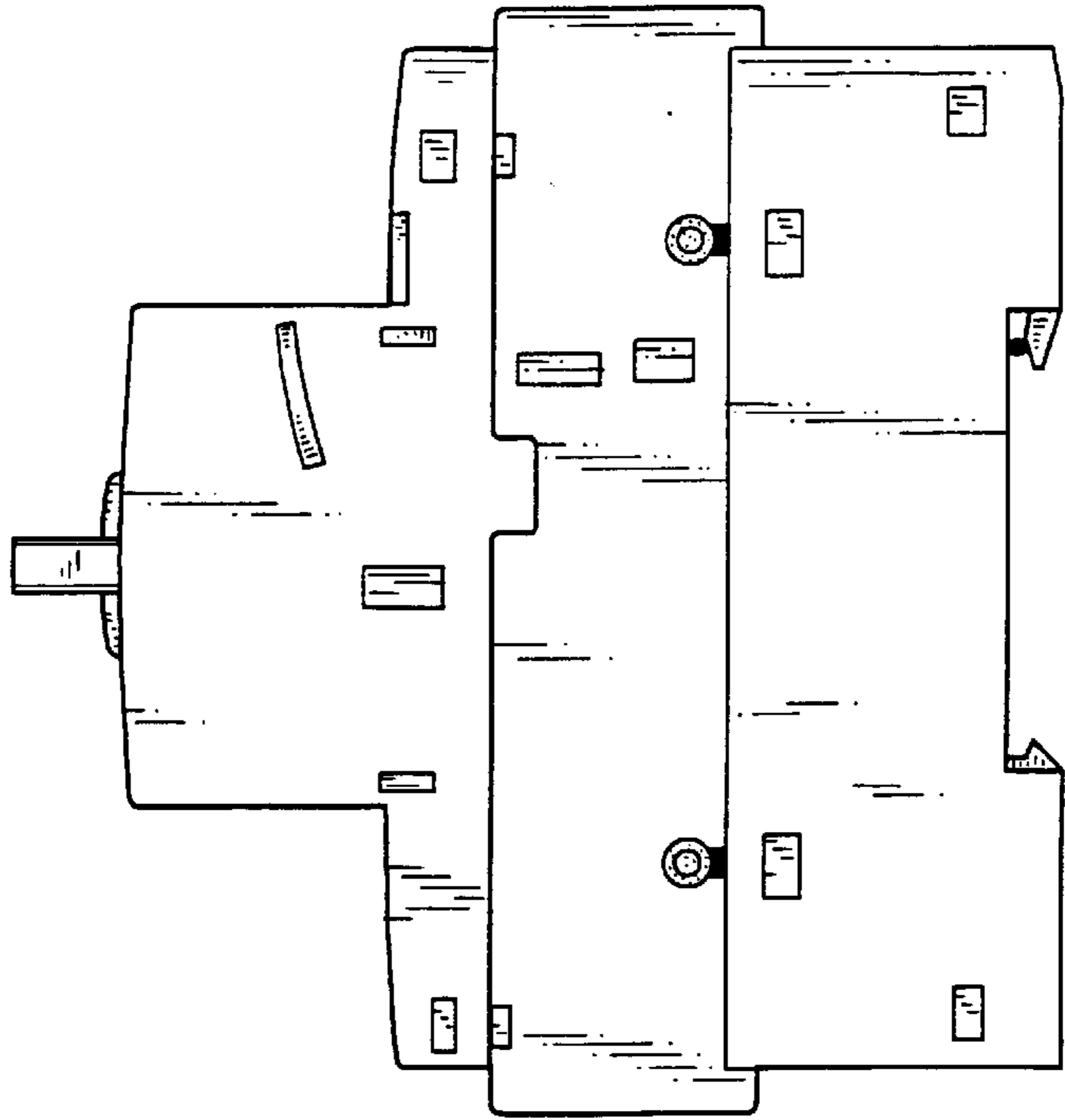


Fig. 2

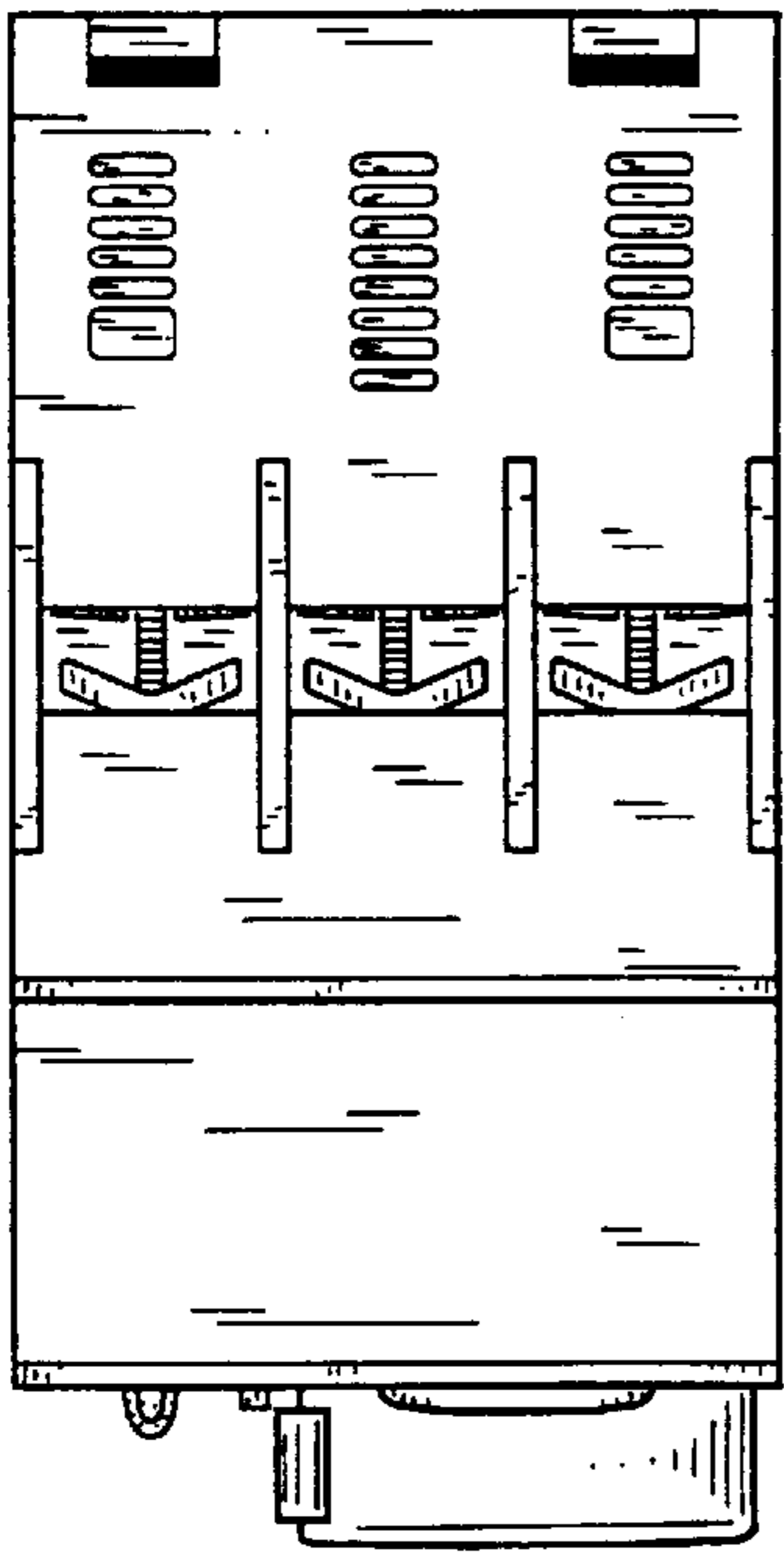


Fig. 3

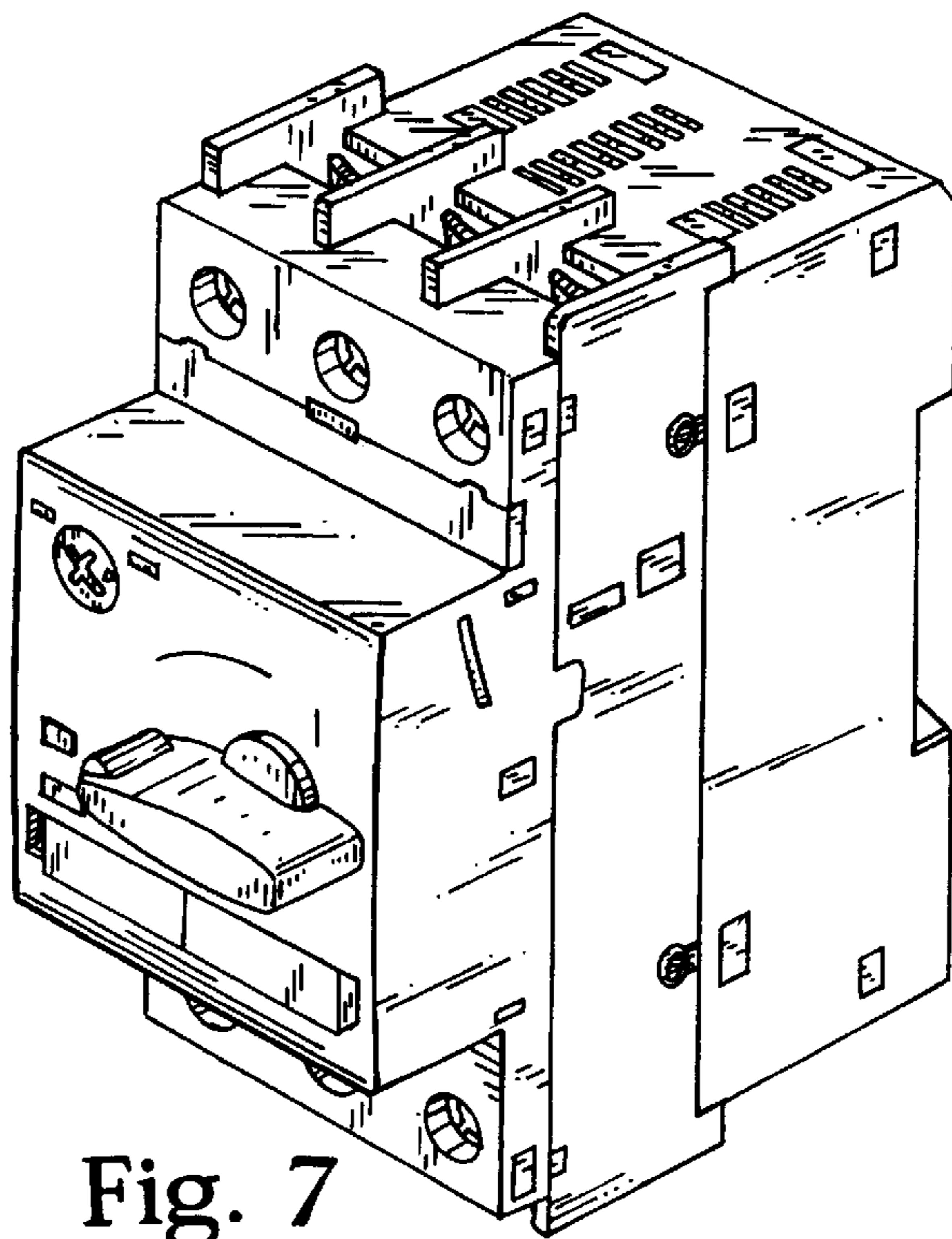


Fig. 7

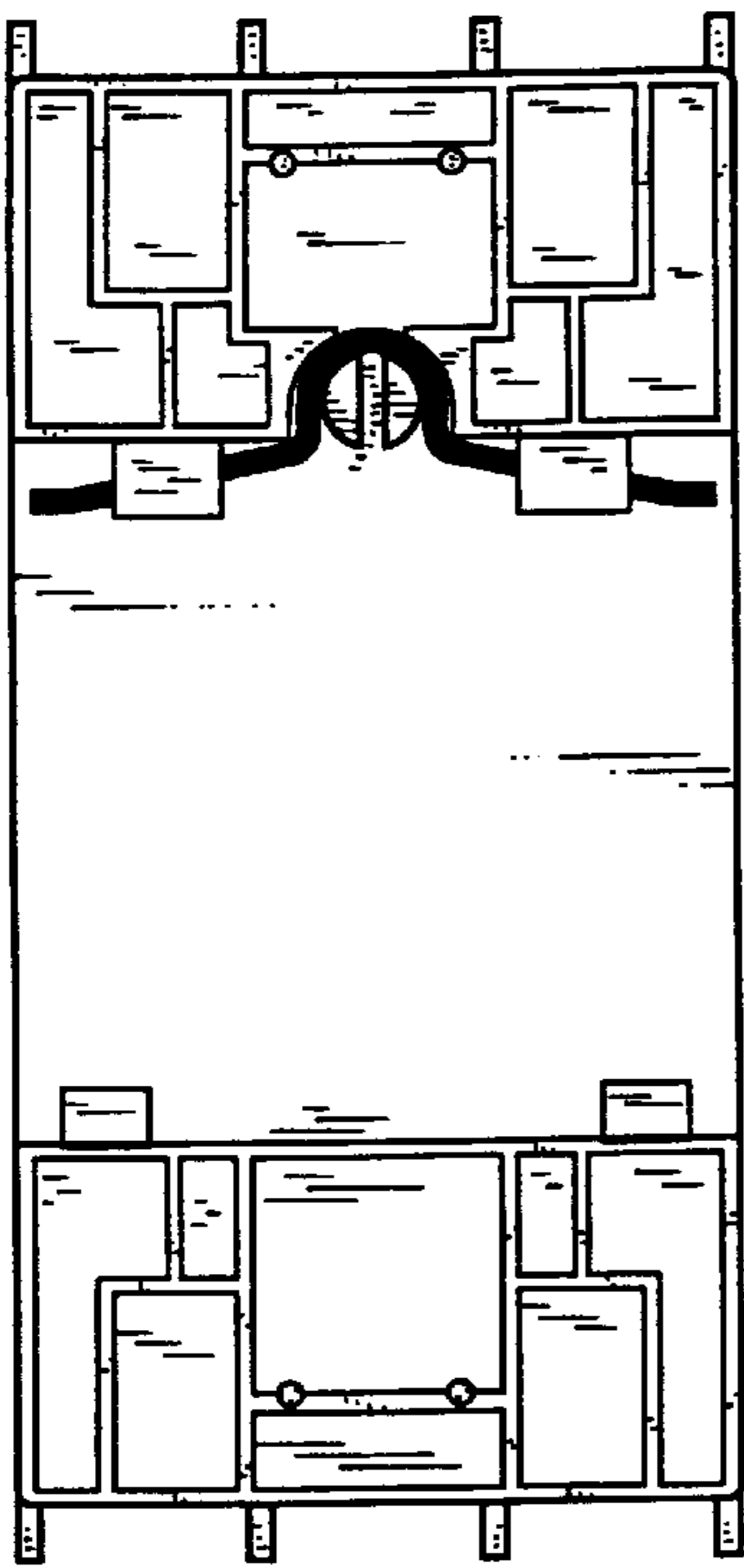


Fig. 4

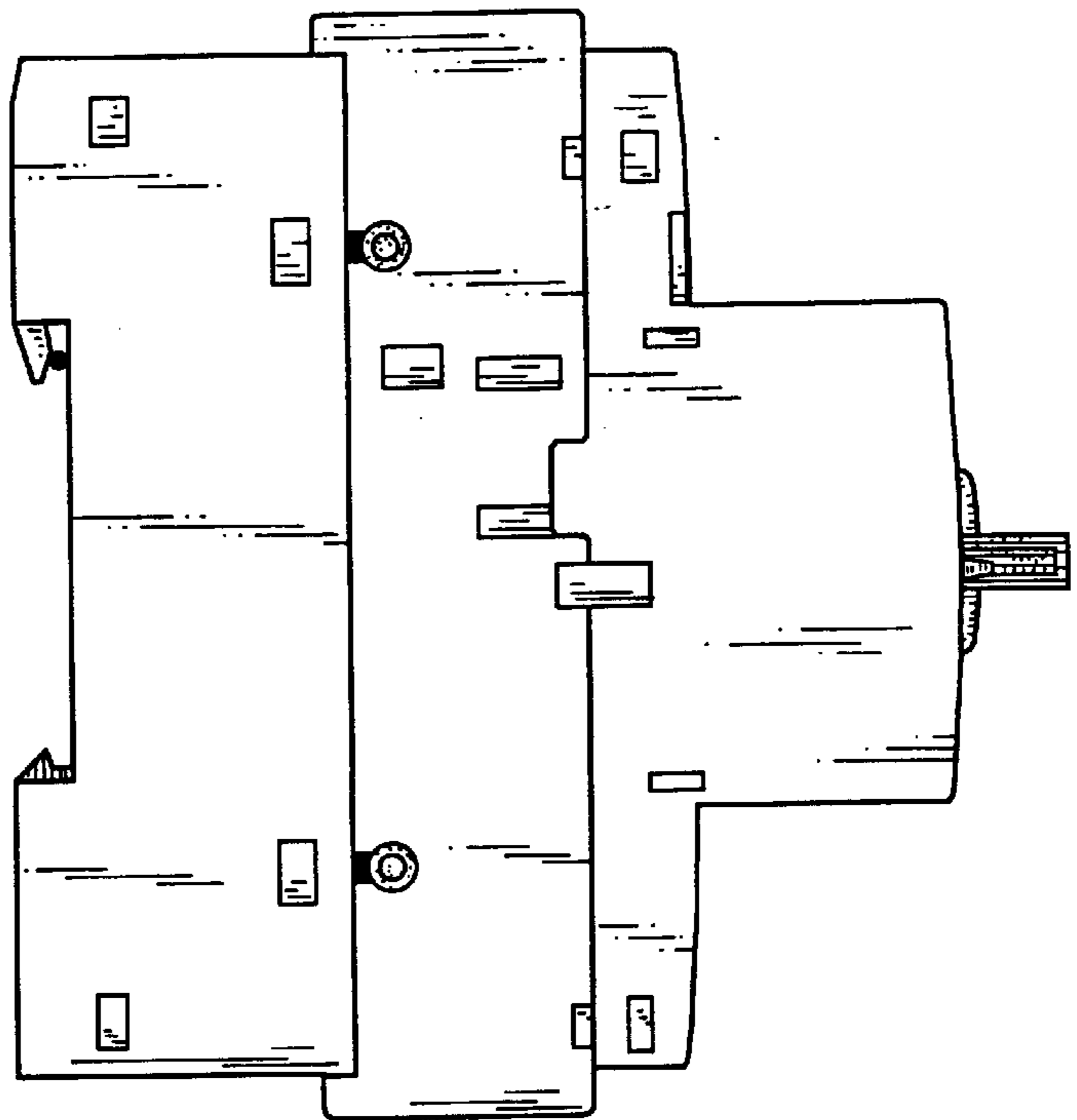


Fig. 5

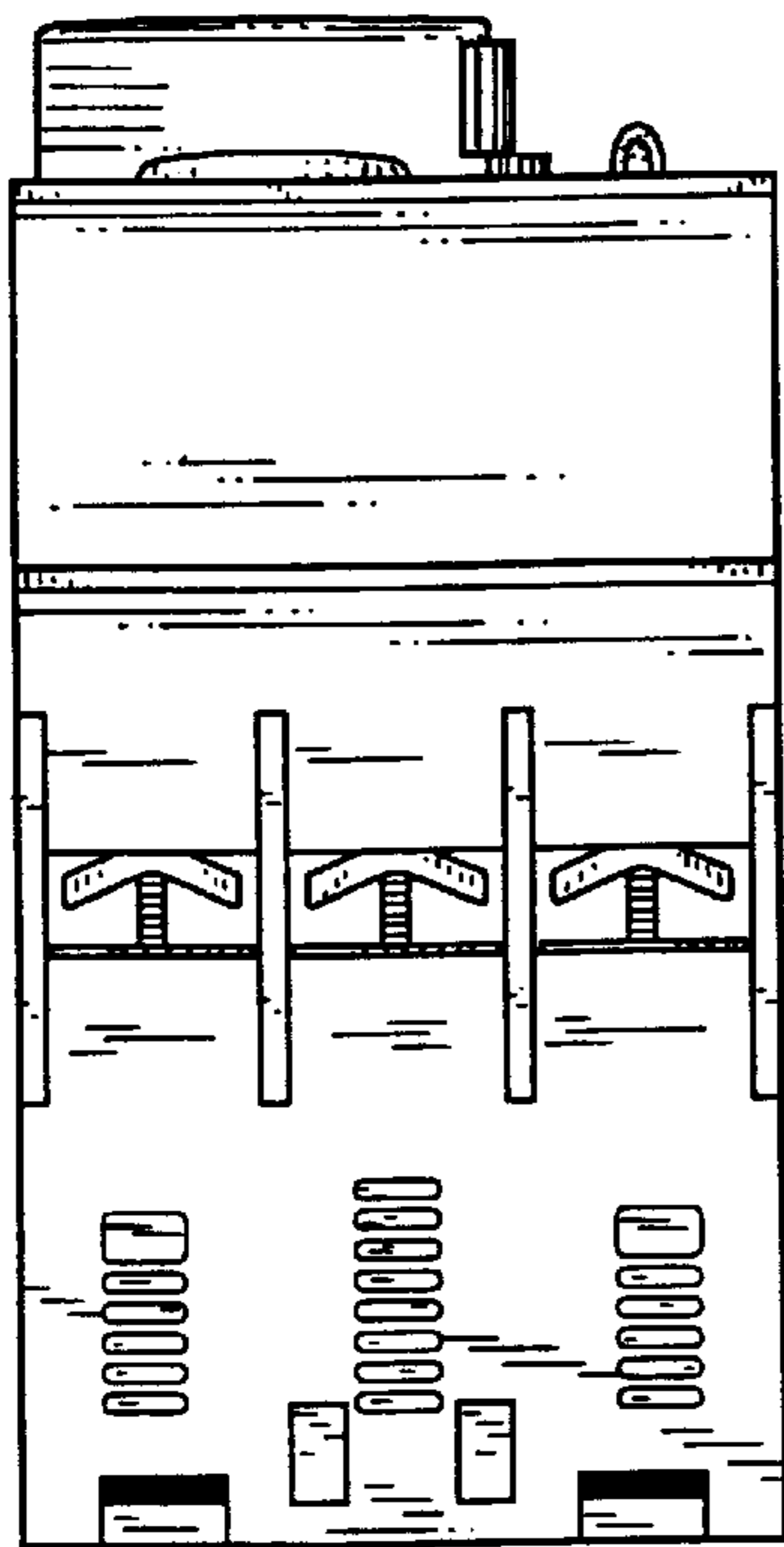


Fig. 6