



US00D406104S

**United States Patent** [19]  
**Gonser**

[11] **Patent Number: Des. 406,104**

[45] **Date of Patent: \*\*Feb. 23, 1999**

[54] **ELECTRICAL CONTACTOR**

D. 321,169 10/1991 Boutellier ..... D13/159  
D. 326,844 6/1992 Boutellier ..... D13/159

[75] Inventor: **Theodor Gonser**, Munich, Germany

[73] Assignee: **Siemens Aktiengesellschaft**, Munich, Germany

*Primary Examiner*—Brian N. Vinson  
*Attorney, Agent, or Firm*—Kenyon & Kenyon

[\*\*] Term: **14 Years**

[57] **CLAIM**

[21] Appl. No.: **67,098**

The ornamental design for an electrical contractor, as shown and described.

[22] Filed: **Feb. 27, 1997**

**DESCRIPTION**

[30] **Foreign Application Priority Data**

Aug. 27, 1996 [DE] Germany ..... M 96 07 462.0

FIG. 1 is a view of the front of an electrical contractor showing my new design;  
FIG. 2 is a view of the right side of my design;  
FIG. 3 is a view of the top of my design;  
FIG. 4 is a view of the back of my design;  
FIG. 5 is a view of the left side of my design;  
FIG. 6 is a view of the bottom of my design; and,  
FIG. 7 is a perspective view of my design.

[51] **LOC (6) Cl.** ..... **13-03**

[52] **U.S. Cl.** ..... **D13/159**

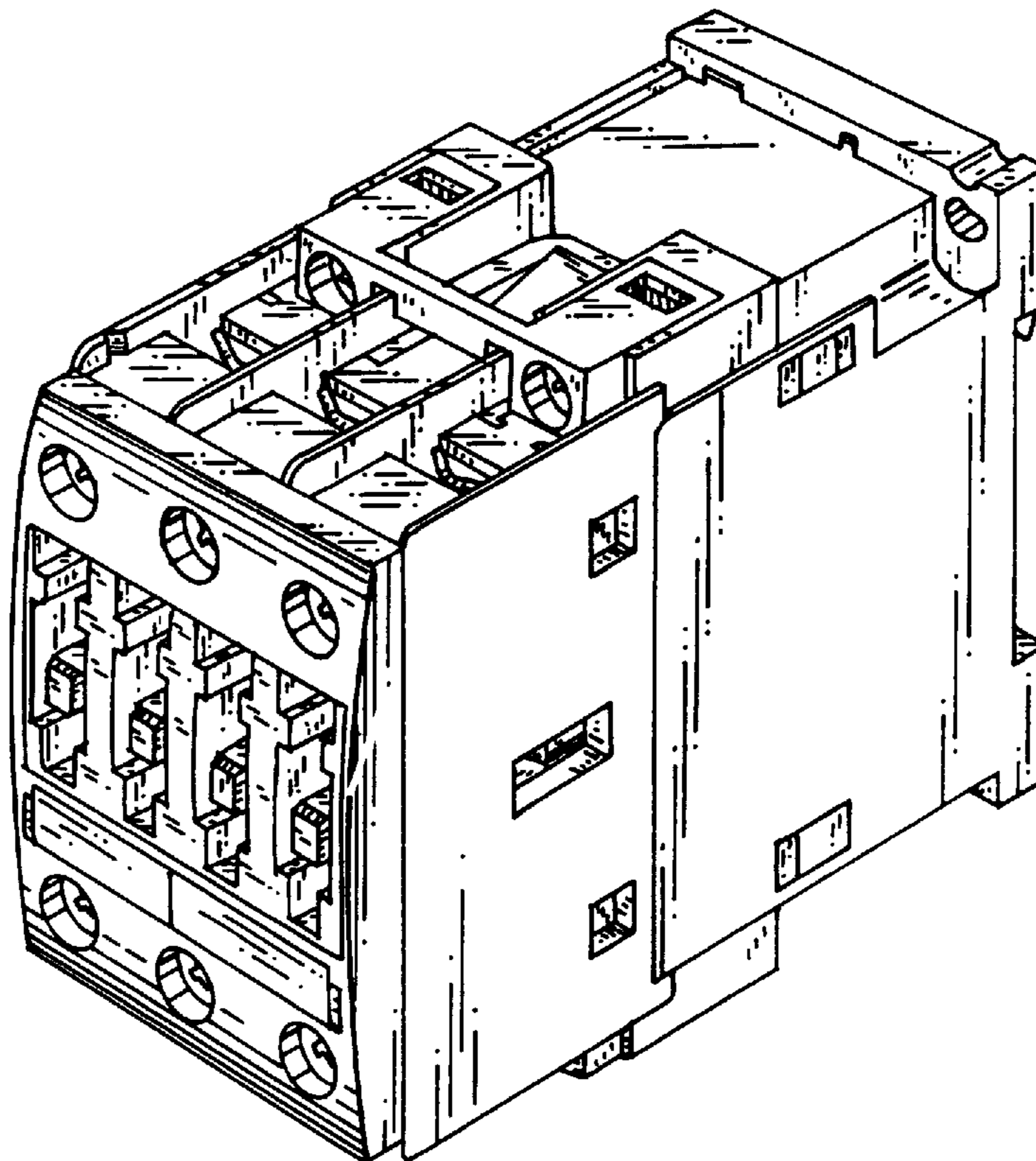
[58] **Field of Search** ..... D13/159; 200/1 R, 200/5 R, 11 R, 293, 294, 297

[56] **References Cited**

**U.S. PATENT DOCUMENTS**

D. 274,720 7/1984 Hannich et al. .... D13/159

**1 Claim, 2 Drawing Sheets**



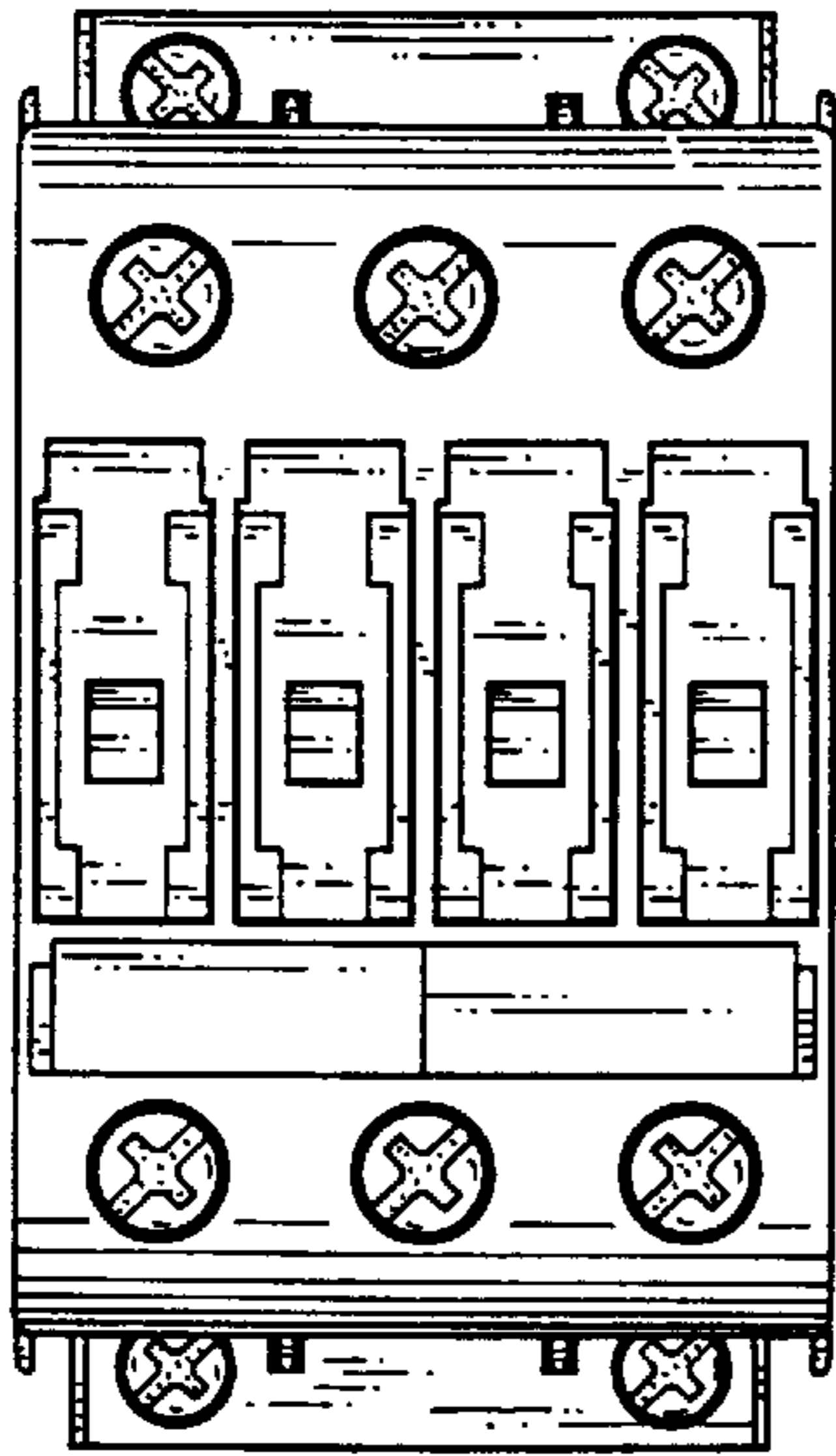


Fig. 1

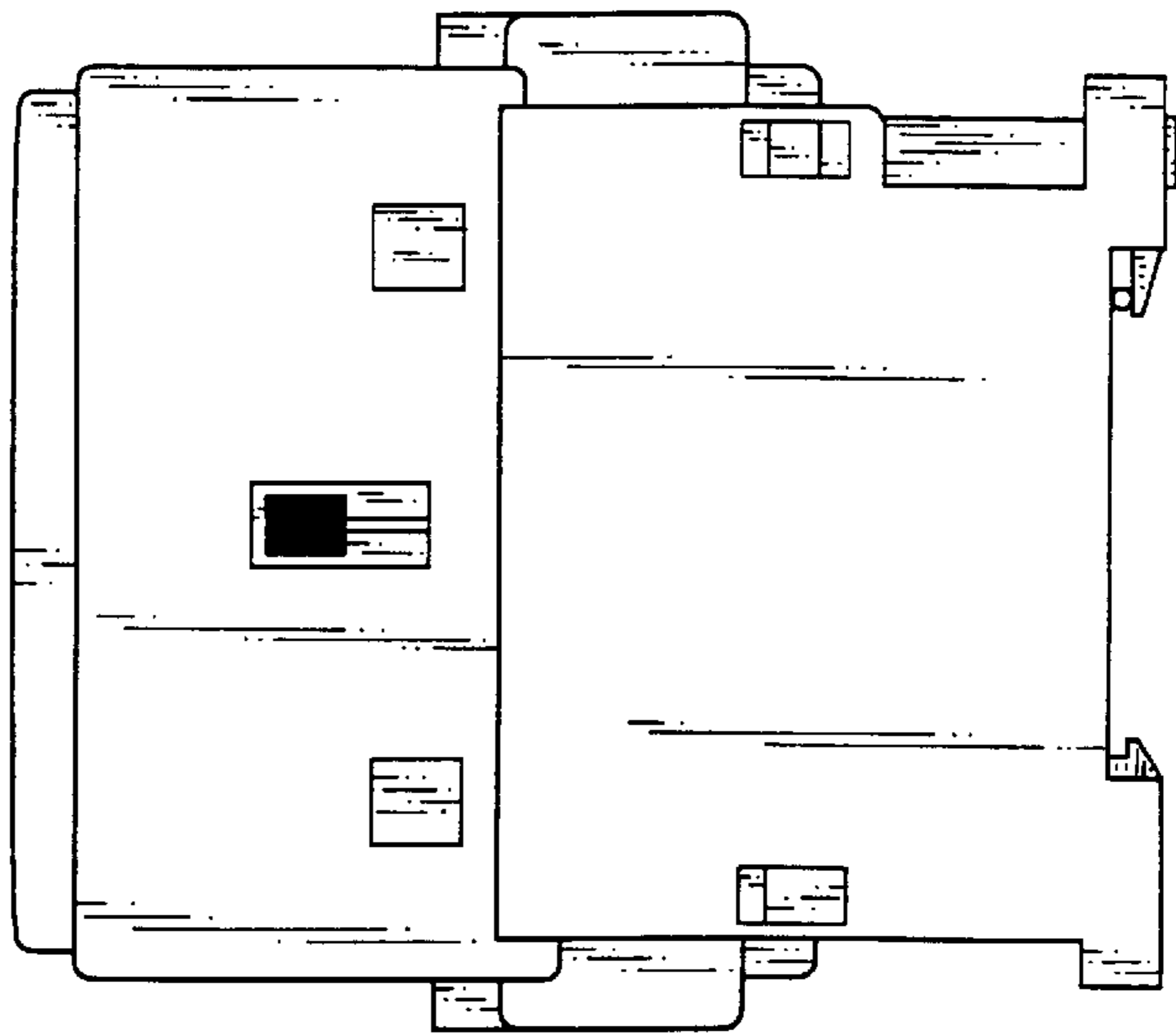


Fig. 2

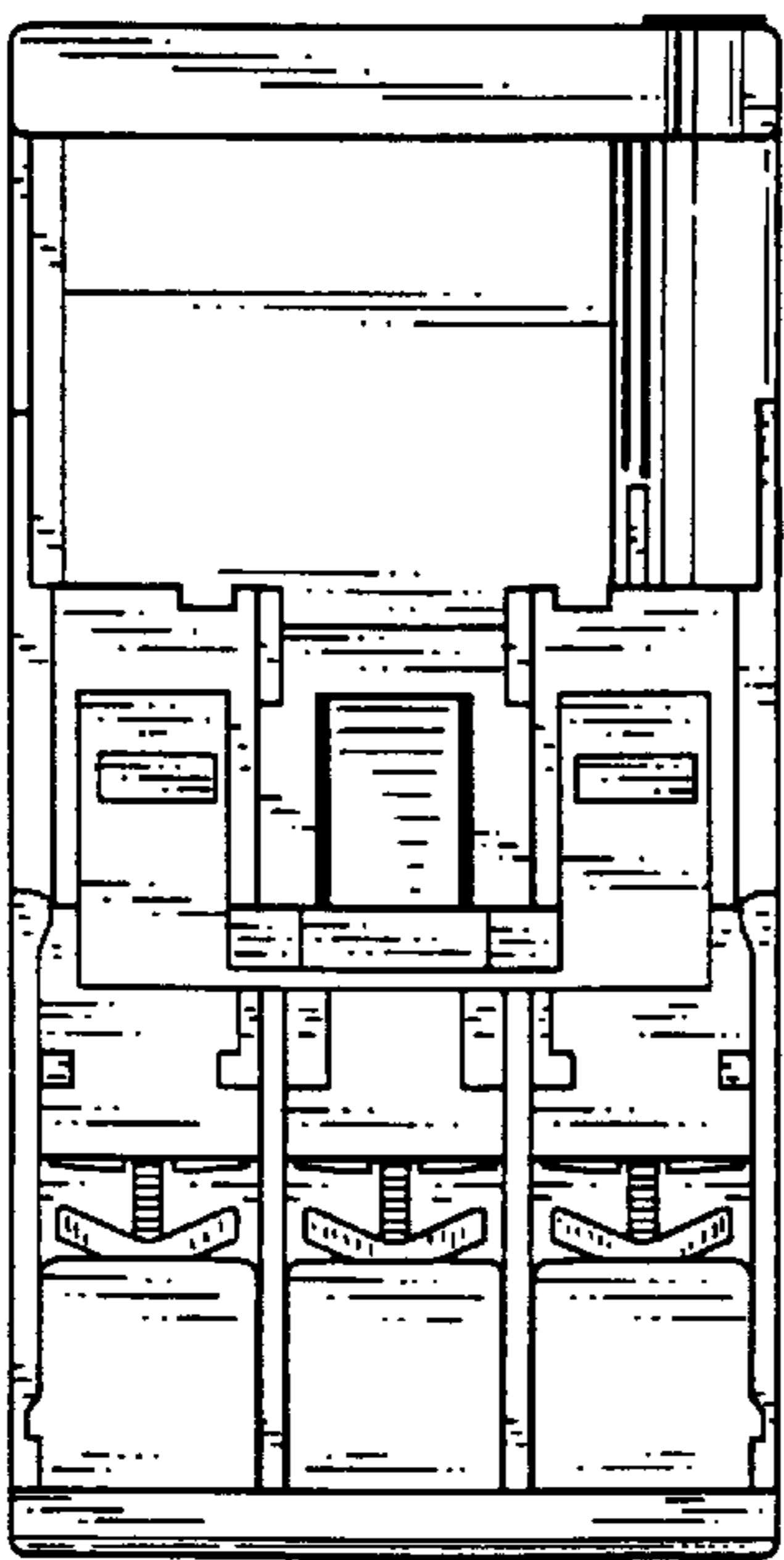


Fig. 3

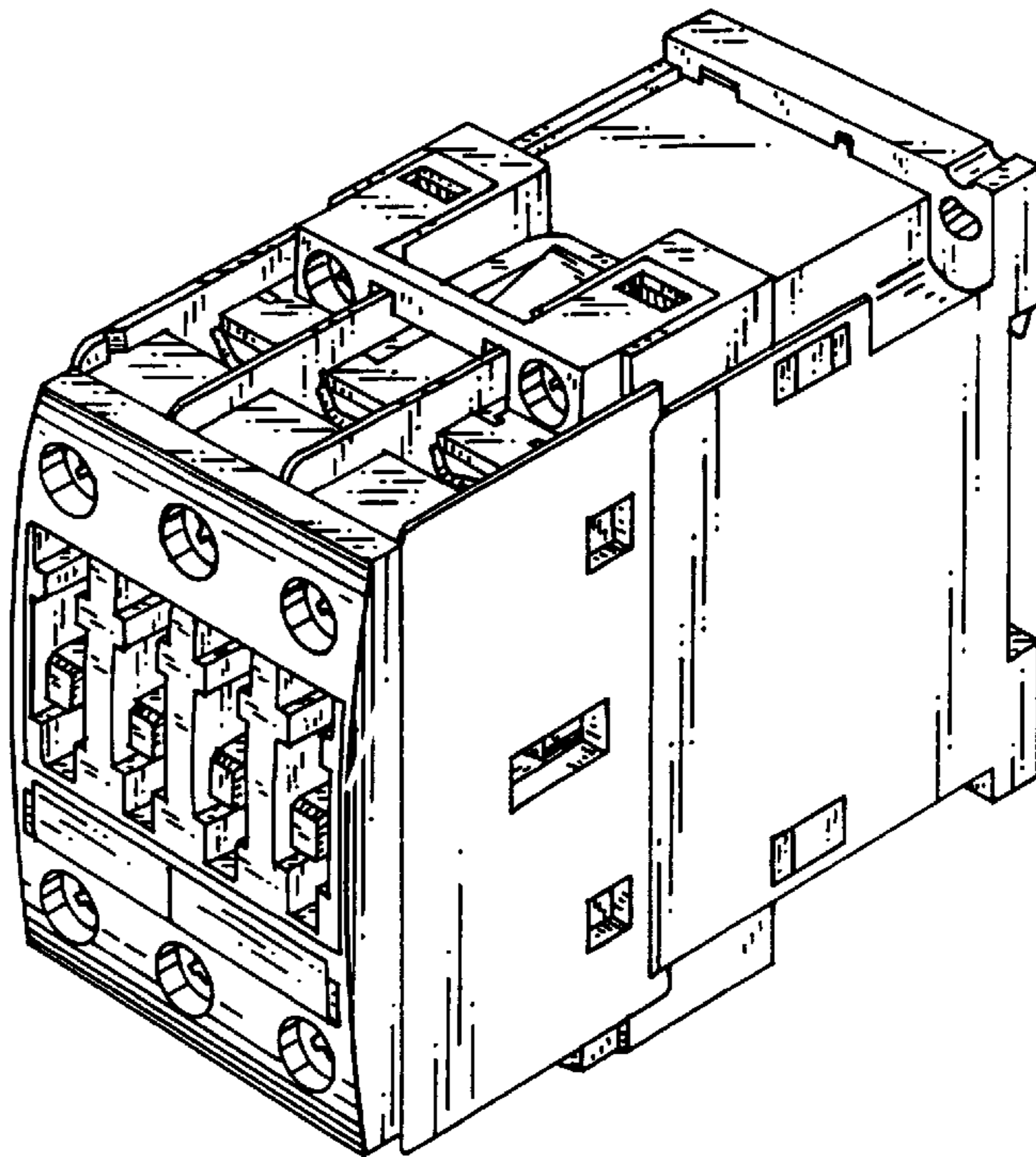


Fig. 7

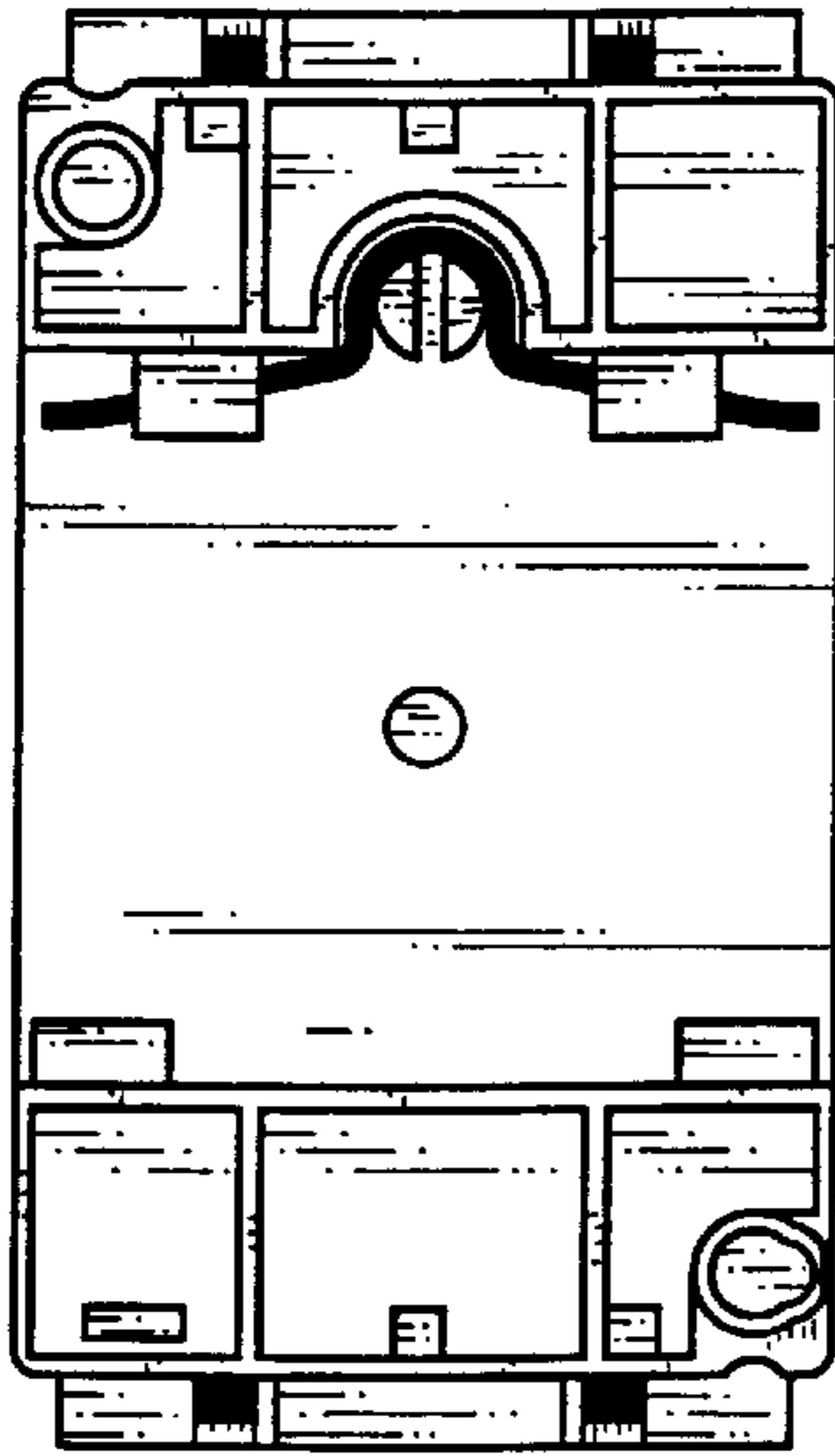


Fig. 4

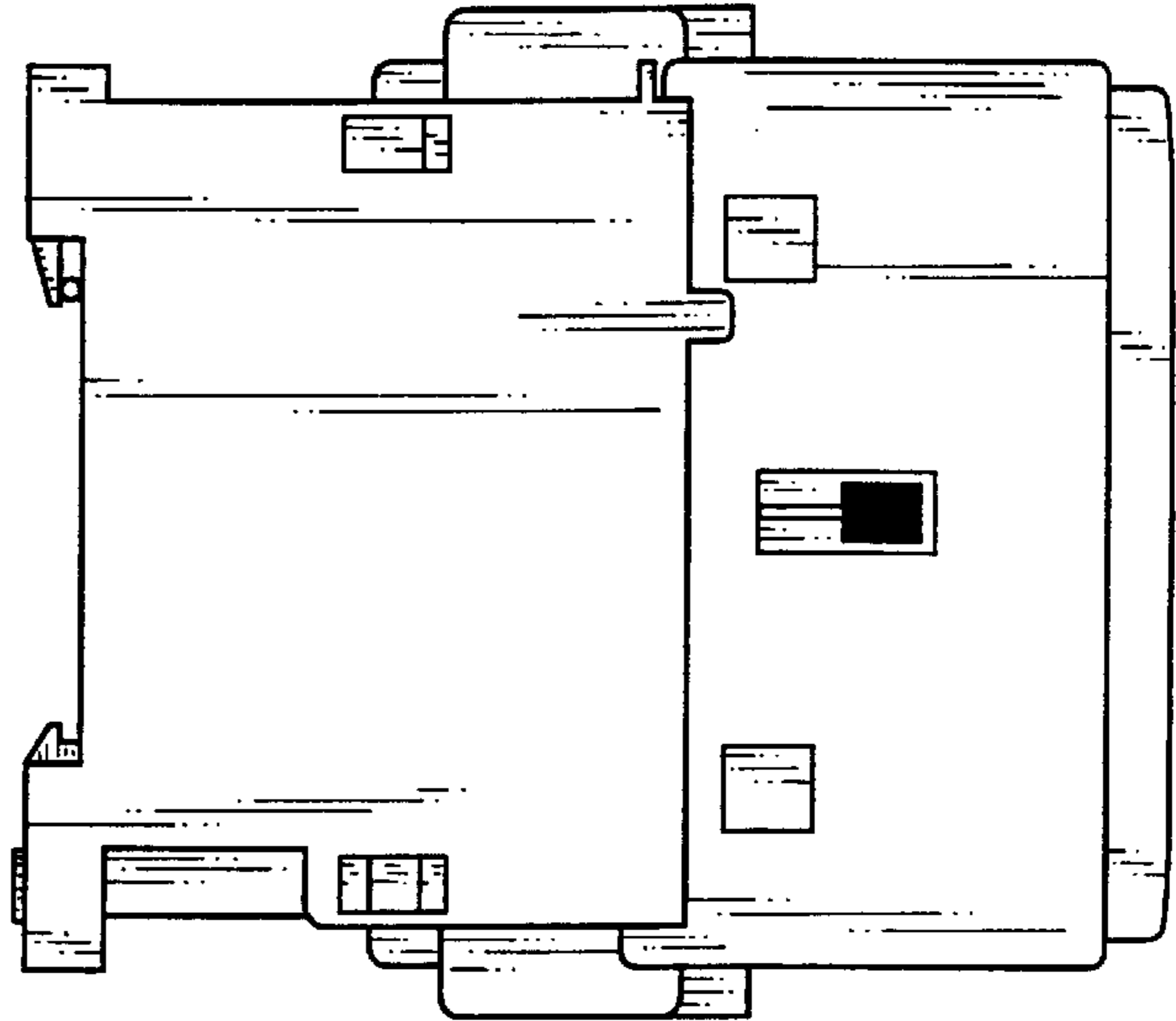


Fig. 5

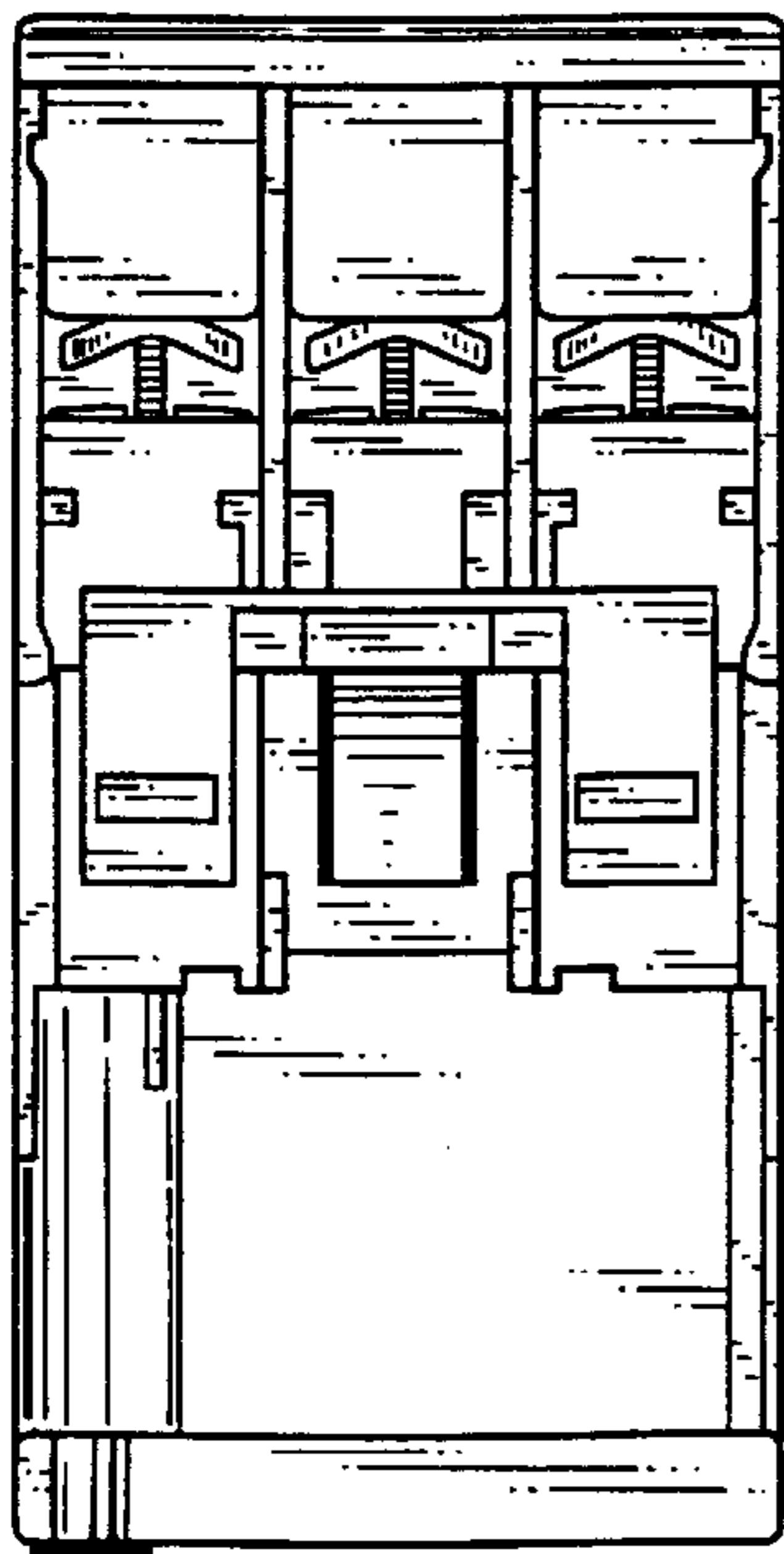


Fig. 6