



US00D406103S

United States Patent [19] Byrne

[11] Patent Number: **Des. 406,103**

[45] Date of Patent: ****Feb. 23, 1999**

[54] **LARGE LIFT-UP WITH POWER/DATA RECEPTACLES**

[76] Inventor: **Norman R. Byrne**, 2736 Honey Creek, NE., Ada, Mich. 49301

[**] Term: **14 Years**

[21] Appl. No.: **71,929**

[22] Filed: **Jun. 9, 1997**

[51] **LOC (6) Cl.** **13-03**

[52] **U.S. Cl.** **D13/139.4**

[58] **Field of Search** 174/48, 55, 56, 174/57, 58; D13/137.1-137.4, 139.1-139.8, 146-147; 431/131, 214, 215, 531, 544, 571

4,272,643	6/1981	Carroll et al. .	
4,372,629	2/1983	Propst et al. .	
4,511,198	4/1985	Mitchell et al. .	
4,551,577	11/1985	Byrne .	
4,747,788	5/1988	Byrne .	
4,792,881	12/1988	Wilson et al. .	
4,828,513	5/1989	Morrison et al. .	
4,984,982	1/1991	Brownlie et al. .	
5,023,396	6/1991	Bartee et al. .	
5,114,365	5/1992	Thompson et al. .	
5,122,069	6/1992	Brownlie et al.	439/131
5,230,552	7/1993	Schipper et al. .	
5,231,562	7/1993	Pierce et al. .	
5,351,173	9/1994	Byrne .	
5,575,668	11/1996	Timmerman	439/131
5,705,772	1/1998	Brown .	

[56] **References Cited**

U.S. PATENT DOCUMENTS

D. 353,363	12/1994	Toby	D13/139.4
D. 355,890	2/1995	Lentz .	
D. 370,622	6/1996	Byrne .	
D. 372,018	7/1996	Byrne	D13/139.4
676,622	6/1901	Gochnauer .	
2,811,574	10/1957	Guerrero .	
2,861,857	11/1958	Lee et al. .	
3,131,512	5/1964	MacLeod, Jr. .	
3,353,137	11/1967	Miller .	
3,433,886	3/1969	Myers .	
3,622,684	11/1971	Press .	
3,646,244	2/1972	Cole .	
3,794,956	2/1974	Dubreuil .	
3,892,095	7/1975	Vankuik et al. .	
3,972,579	8/1976	Kohaut .	
3,992,070	11/1976	Dunn et al. .	
4,059,321	11/1977	Rasmussen et al. .	

Primary Examiner—Susan J. Lucas
Assistant Examiner—Jennifer Rivard
Attorney, Agent, or Firm—Varnum, Riddering, Schmidt & Howlett LLP

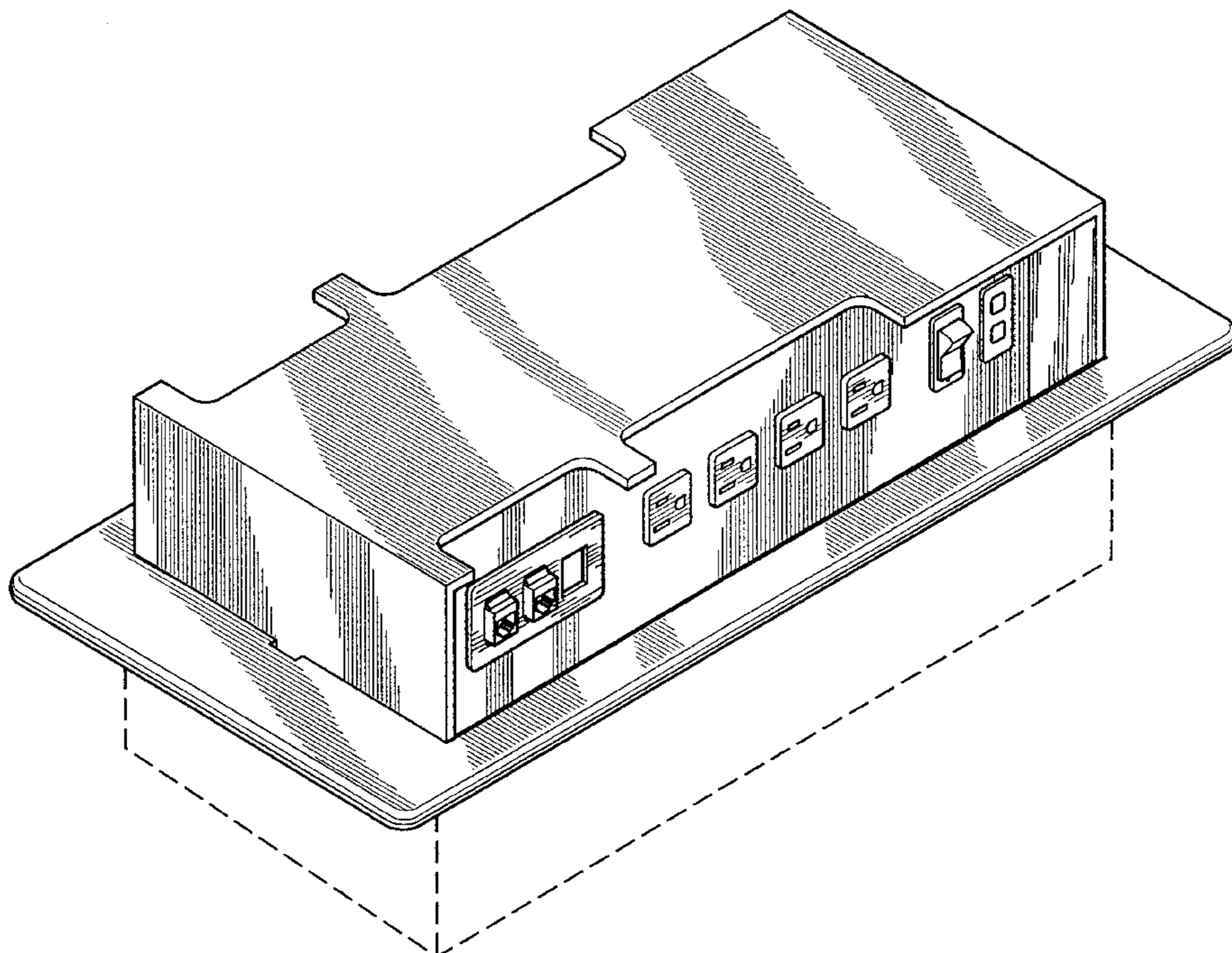
[57] **CLAIM**

The ornamental large lift-up with power/data receptacles, as shown and described.

DESCRIPTION

FIG. 1 is a left side perspective view of the large lift-up with power/data receptacles according to my design. The right side perspective view is a mirror image thereof. FIG. 2 is a front elevation view of the large lift-up with power/data receptacles according to my design. The rear elevation view is a mirror image thereof; and, FIG. 3 is a top plan view thereof. The broken lines are shown for illustrative purposes only and form no part of the claimed design.

1 Claim, 2 Drawing Sheets



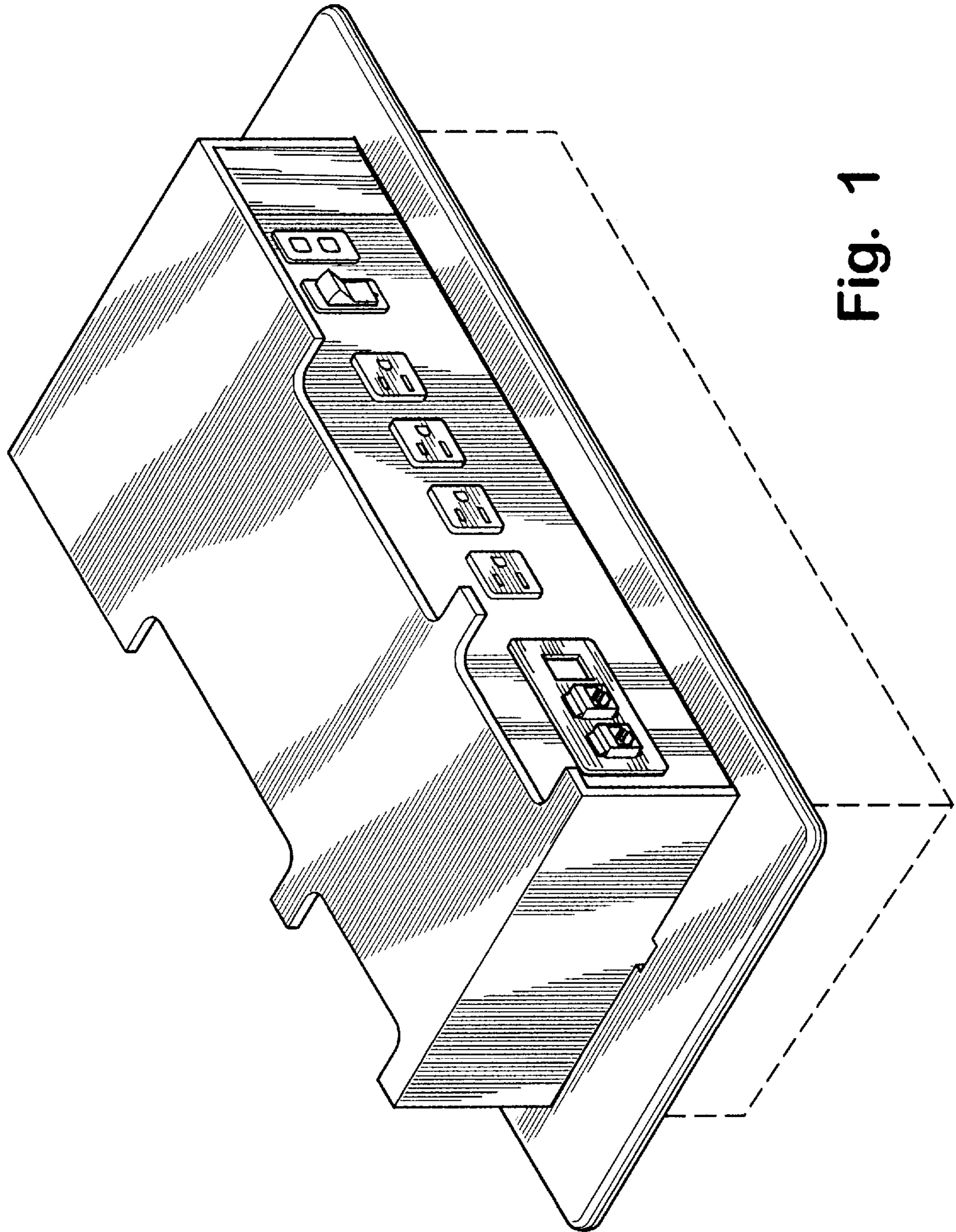


Fig. 1

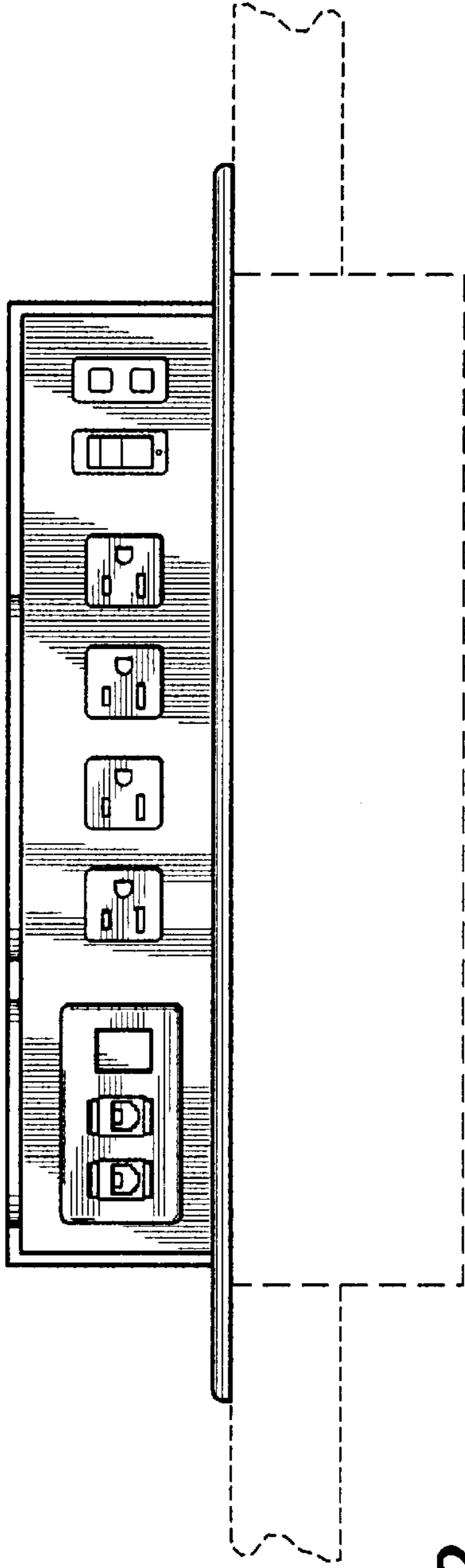


Fig. 2

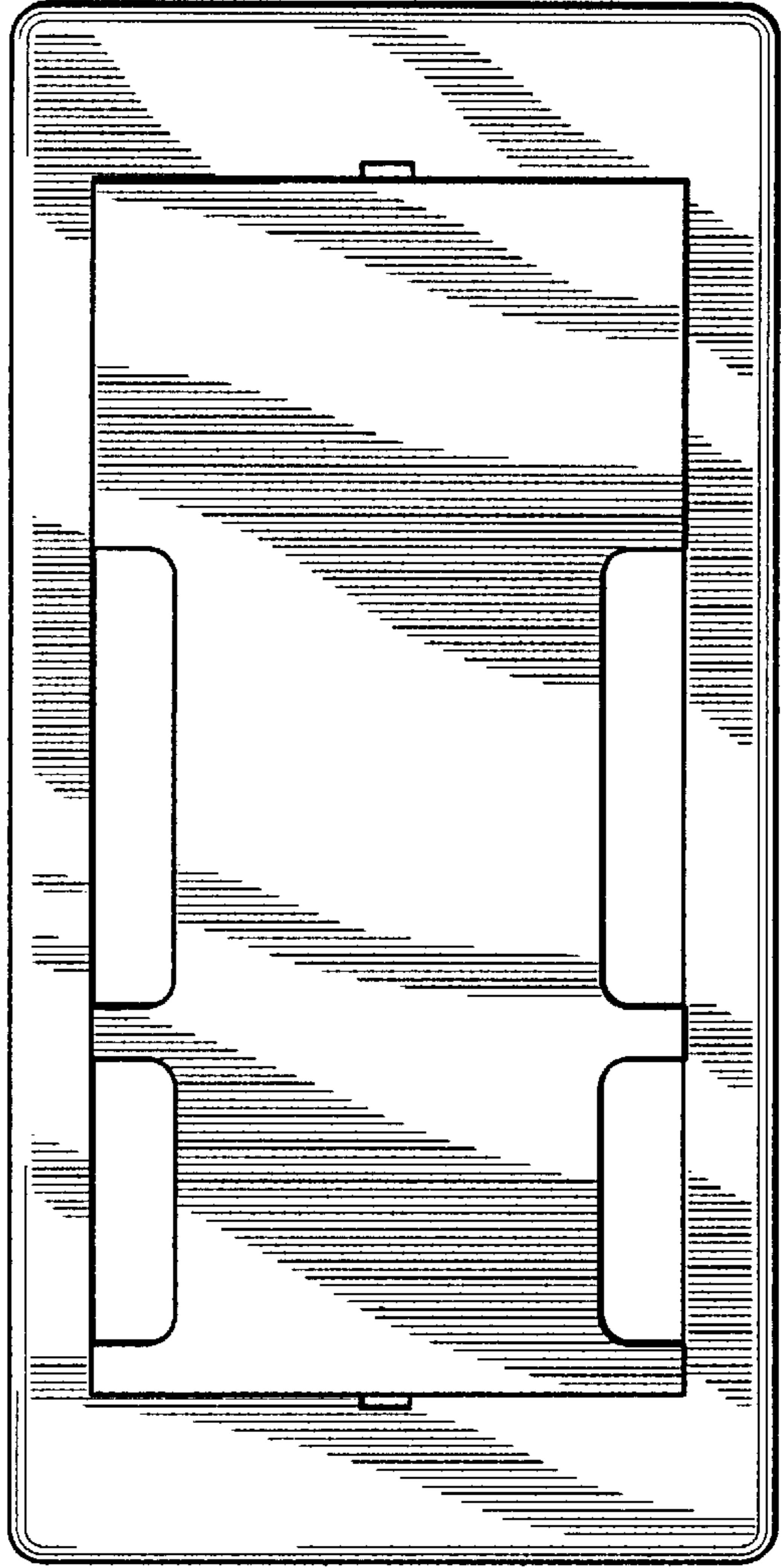


Fig. 3