



US00D406102S

United States Patent [19] Byrne

[11] **Patent Number: Des. 406,102**
[45] **Date of Patent: **Feb. 23, 1999**

[54] **DOUBLE LIFT UP DEVICE**

[76] Inventor: **Norman R. Byrne**, 2736 Honey Creek, NE., Ada, Mich. 49301

[*] Notice: This patent issued on a continued prosecution application filed under 37 CFR 1.53(d), and is subject to the twenty year patent term provisions of 35 U.S.C. 154(a)(2).

[**] Term: **14 Years**

[21] Appl. No.: **71,664**

[22] Filed: **Jun. 5, 1997**

[51] **LOC (6) Cl.** **13-03**

[52] **U.S. Cl.** **D13/139.4**

[58] **Field of Search** 174/48, 55, 57, 174/58; 439/131, 215, 214, 531, 544, 571; D13/139.4, 139.3, 139.1, 139.8, 139.7, 139.6, 139.5, 139.2, 137.1-137.4

[56] **References Cited**

U.S. PATENT DOCUMENTS

- D. 353,363 12/1994 Toby .
- D. 355,890 2/1995 Lentz D13/139.4
- D. 370,622 6/1996 Byrne .
- D. 372,018 7/1996 Byrne D13/139.4
- 676,622 6/1901 Gochnauer .
- 2,811,574 10/1957 Guerrero .
- 2,861,857 11/1958 Lee et al. .
- 3,131,512 5/1964 MacLeod, Jr. .
- 3,353,137 11/1967 Miller .
- 3,433,886 3/1969 Myers .
- 3,622,684 11/1971 Press .
- 3,646,244 2/1972 Cole .

- 3,794,956 2/1974 Dubreuil .
- 3,892,095 7/1975 Vankuik et al. .
- 3,972,579 8/1976 Kohaut .
- 3,992,070 11/1976 Dunn et al. .
- 4,059,321 11/1977 Rasmussen et al. .
- 4,272,643 6/1981 Carroll et al. .
- 4,372,629 2/1983 Propst et al. .
- 4,511,198 4/1985 Mitchell et al. .
- 4,551,577 11/1985 Byrne .
- 4,747,788 5/1988 Byrne .
- 4,792,881 12/1988 Wilson et al. .
- 4,828,513 5/1989 Morrison et al. .
- 4,984,982 1/1991 Brownlie et al. .
- 5,023,396 6/1991 Bartee et al. .
- 5,114,365 5/1992 Thompson et al. D13/139.1
- 5,122,069 6/1992 Brownlie et al. .
- 5,230,552 7/1993 Schipper et al. .
- 5,231,562 7/1993 Pierce et al. .
- 5,351,173 9/1994 Byrne 439/131
- 5,575,668 11/1996 Timmerman .
- 5,705,772 1/1998 Brown .

Primary Examiner—Susan J. Lucas
Assistant Examiner—Jennifer Rivard
Attorney, Agent, or Firm—Varnum, Riddering, Schmidt & Howlett LLP

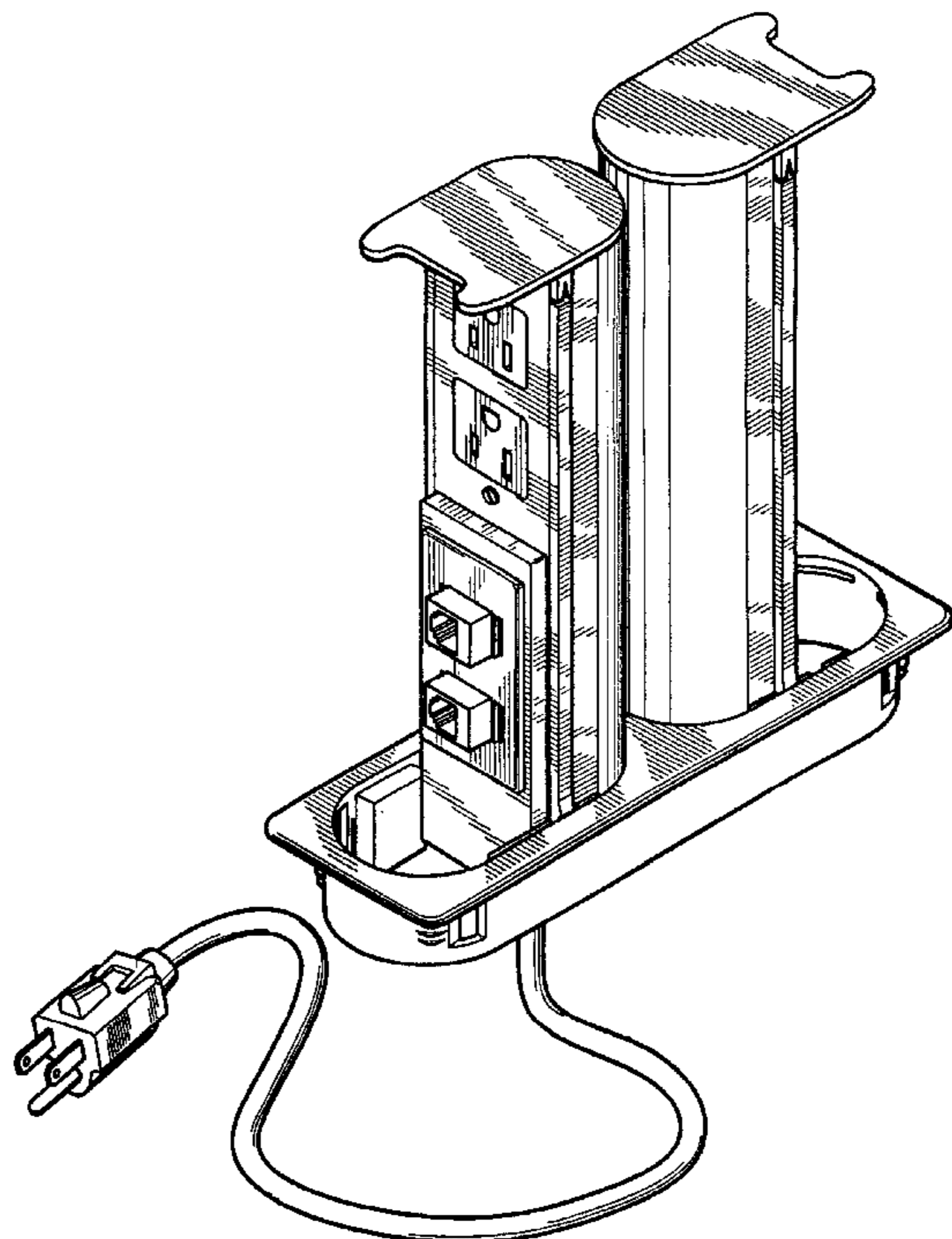
[57] **CLAIM**

The ornamental double lift-up device, as shown and described.

DESCRIPTION

FIG. 1 is a perspective view of the double lift-up device, the opposite perspective view being a mirror image; and, FIG. 2 is a top plan view. With the exception of the cord, the bottom of the design forms no part of the claimed design.

1 Claim, 1 Drawing Sheet



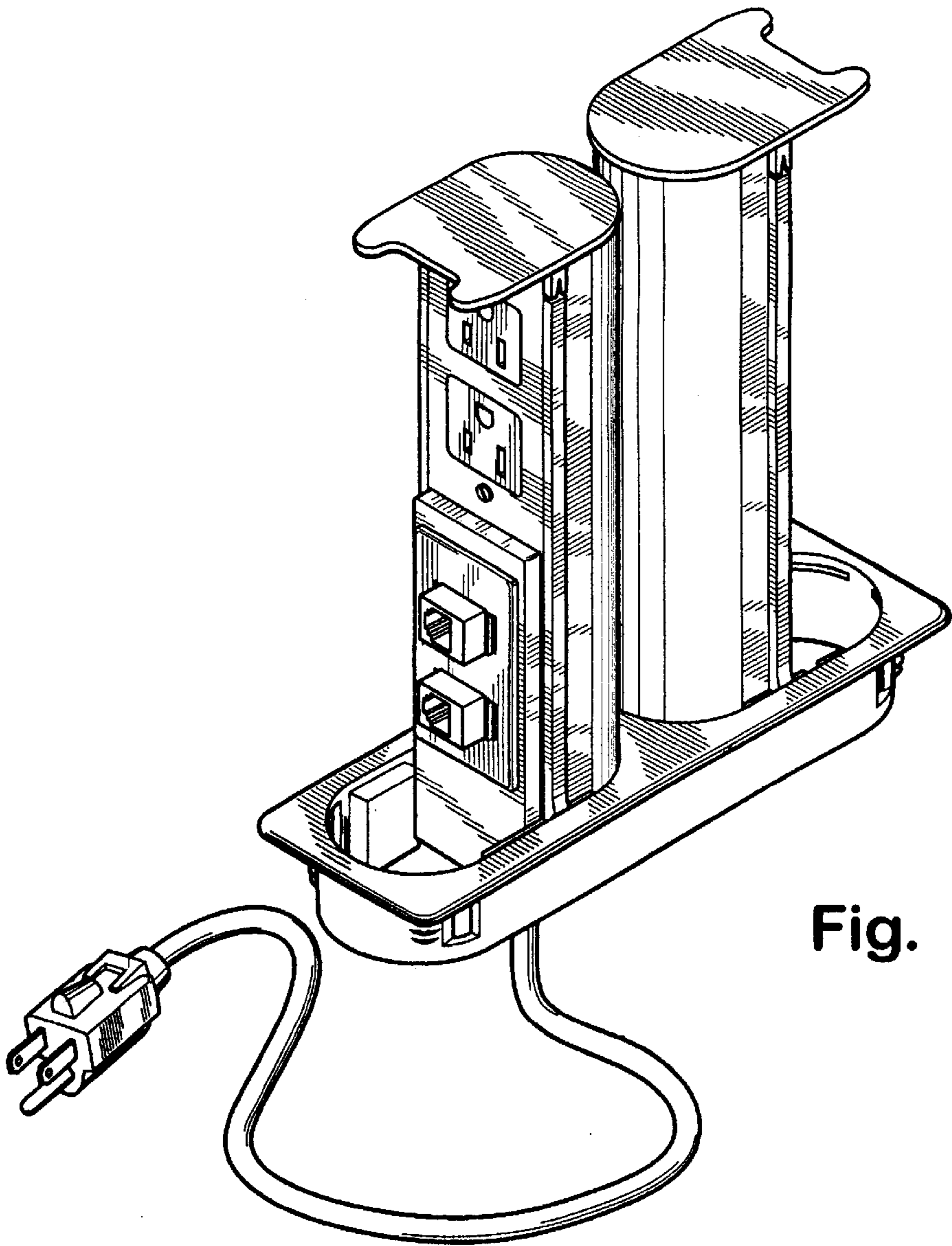


Fig. 1

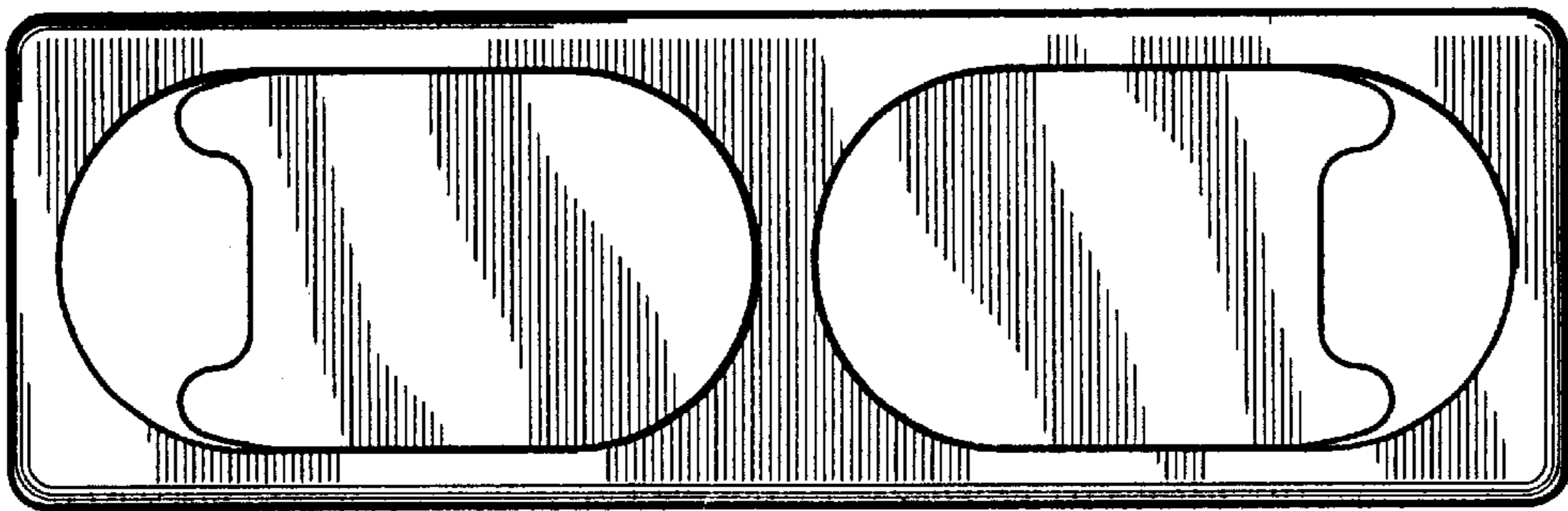


Fig. 2