



US00D406101S

# United States Patent [19]

Ahn et al.

[11] **Patent Number: Des. 406,101**

[45] **Date of Patent: \*\*Feb. 23, 1999**

[54] **GAS DISCHARGE LAMP BALLAST**

4,916,363	4/1990	Burton et al. ....	315/276
5,006,764	4/1991	Swanson et al. ....	315/276
5,260,678	11/1993	Van Wagener et al. ....	174/DIG. 2 X

[75] Inventors: **Youngkee Ahn; Jiri Slaby**, both of Buffalo Grove, Ill.

[73] Assignee: **Motorola Inc.**, Schaumburg, Ill.

[\*\*] Term: **14 Years**

*Primary Examiner*—Joel Sincavage  
*Attorney, Agent, or Firm*—Kenneth D. Labudda; Gary J. Cunningham

[21] Appl. No.: **86,670**

[57] **CLAIM**

[22] Filed: **Apr. 17, 1998**

The ornamental design for a gas discharge lamp ballast, as shown and described.

[51] **LOC (6) Cl.** ..... **13-02**

**DESCRIPTION**

[52] **U.S. Cl.** ..... **D13/110**

FIG. 1 is a perspective view of a gas discharge lamp ballast showing our new design;

[58] **Field of Search** ..... D13/110; 174/DIG. 2;

FIG. 2 is a right side elevational view thereof;

336/90; 315/276; 361/674

FIG. 3 is a bottom plan view thereof; and,

[56] **References Cited**

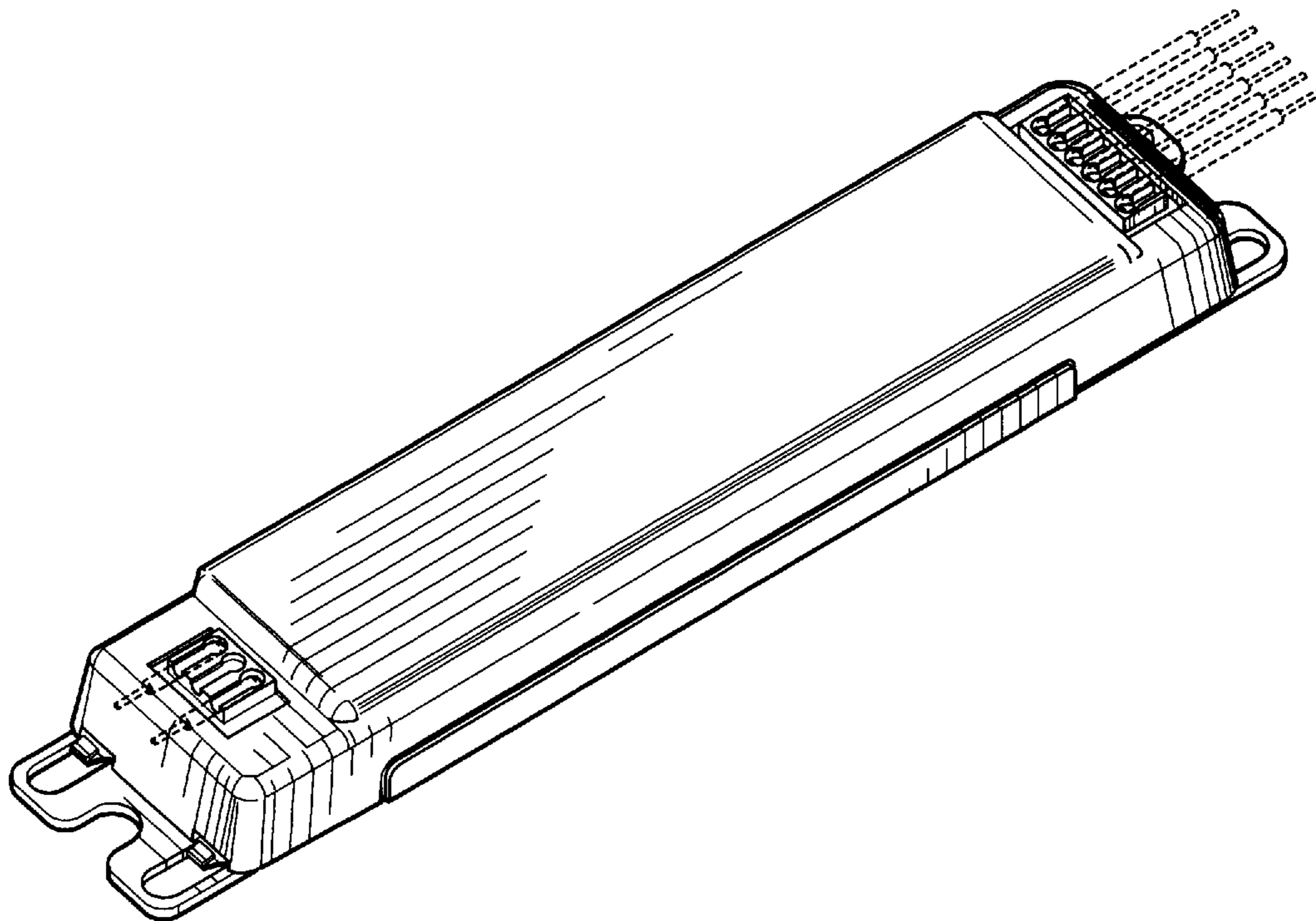
FIG. 4 is a rear elevational view thereof.

**U.S. PATENT DOCUMENTS**

The broken lines in FIG. 1 are included for the purpose of illustrating environmental structure only and form no part of the claimed design.

- D. 339,324 9/1993 Ahn et al. .
- D. 356,551 3/1995 Ahn .
- D. 368,466 4/1996 Ahn et al. .
- D. 380,443 7/1997 Ahn et al. .

**1 Claim, 1 Drawing Sheet**



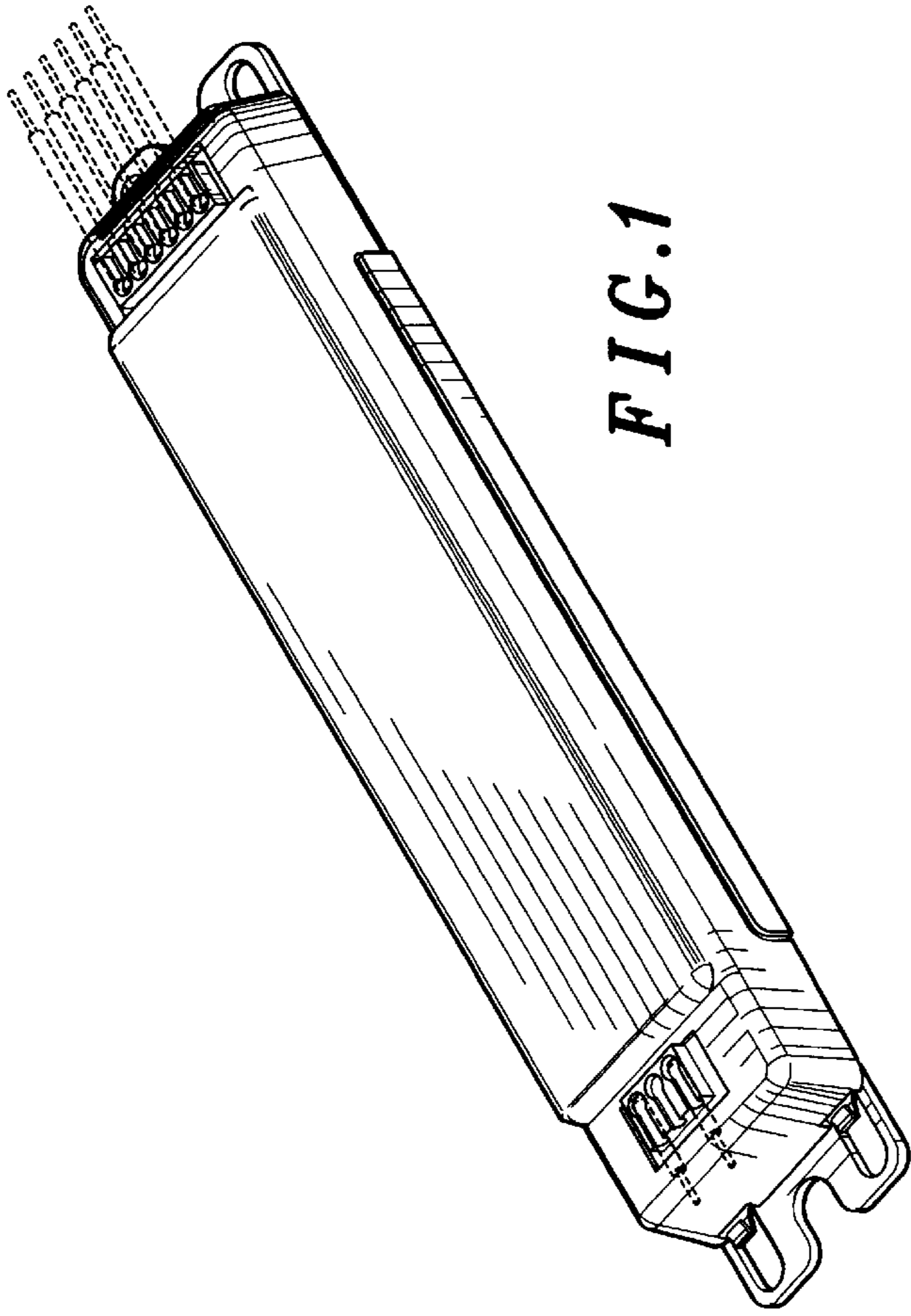


FIG. 1

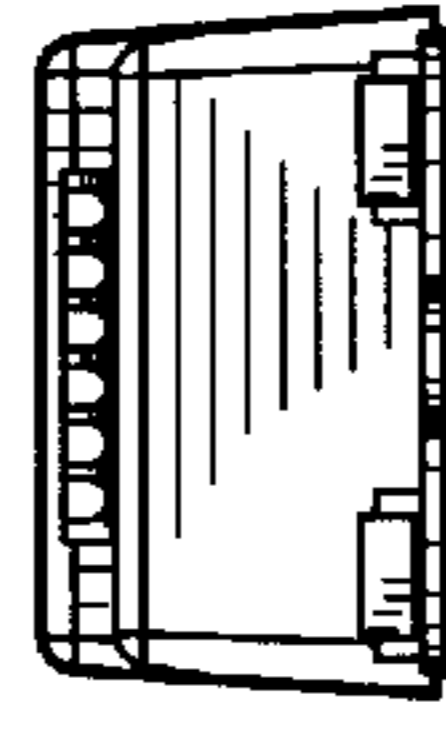


FIG. 4

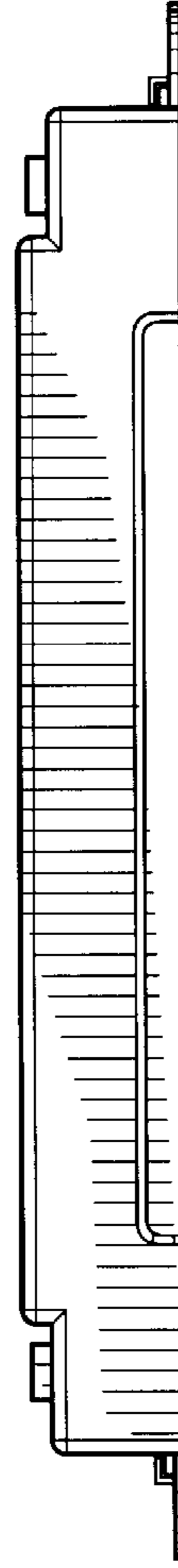


FIG. 2

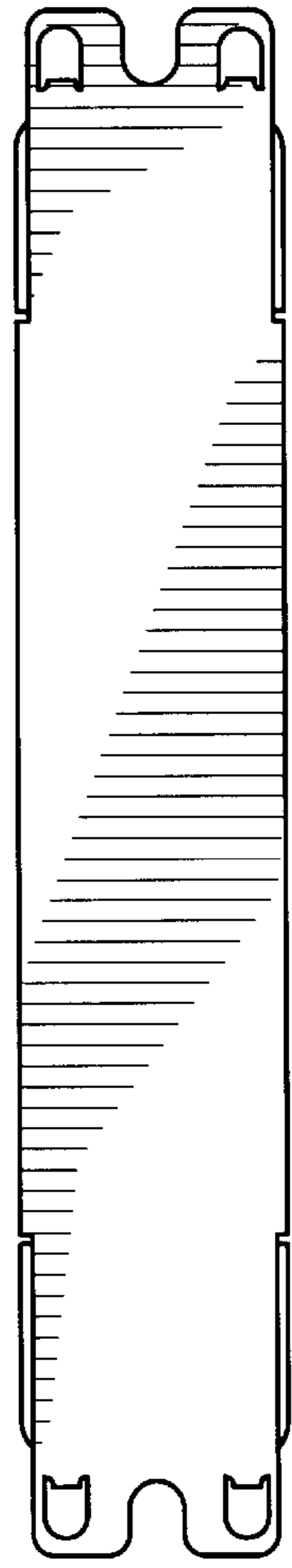


FIG. 3