



US00D406100S

United States Patent [19] Murphy

[11] Patent Number: **Des. 406,100**

[45] Date of Patent: ****Feb. 23, 1999**

[54] ENCLOSURE FOR AN UNINTERRUPTIBLE POWER SUPPLY

D. 396,688 8/1998 Lin D13/110
5,796,580 8/1998 Komatsu et al. 361/687

[75] Inventor: **Tim Kerry Murphy**, Rochester, Minn.

Primary Examiner—Joel Sincavage
Attorney, Agent, or Firm—Matthew J. Bussan

[73] Assignee: **International Business Machines Corporation**, Armonk, N.Y.

[57] **CLAIM**

[**] Term: **14 Years**

The ornamental design for an enclosure for an uninterruptible power supply, as shown and described.

[21] Appl. No.: **85,912**

DESCRIPTION

[22] Filed: **Apr. 1, 1998**

FIG. 1 is a top, front, right side isometric view of an enclosure for an uninterruptible power supply, showing our new design;

[51] **LOC (6) Cl.** **13-02**

[52] **U.S. Cl.** **D13/110**

FIG. 2 is a top, back, left side isometric view thereof;

[58] **Field of Search** D13/110, 184,

D13/123; 307/64, 65, 66, 150

FIG. 3 is a front elevational view thereof;

FIG. 4 is a top plan view thereof;

[56] **References Cited**

U.S. PATENT DOCUMENTS

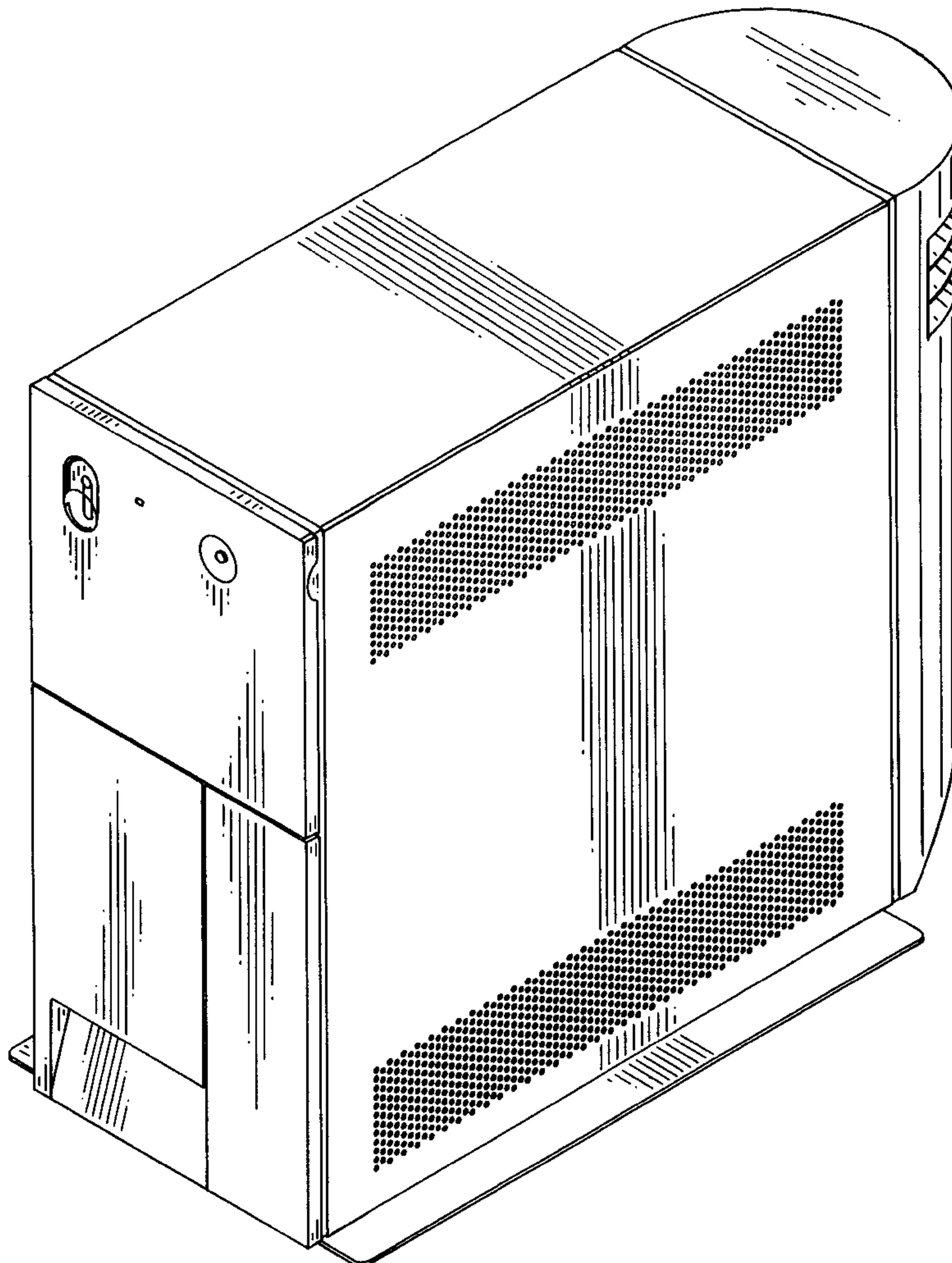
- D. 203,834 2/1966 Davis D13/110
- D. 314,174 1/1991 Wong D13/110 X
- D. 361,538 8/1995 Hill et al. D13/110
- D. 376,347 12/1996 Mousa D13/110

FIG. 5 is a right side elevational view thereof, the left side being a mirror image; and,

FIG. 6 is a rear elevational view thereof.

The bottom of the enclosure for an uninterruptible power supply is unornamented.

1 Claim, 6 Drawing Sheets



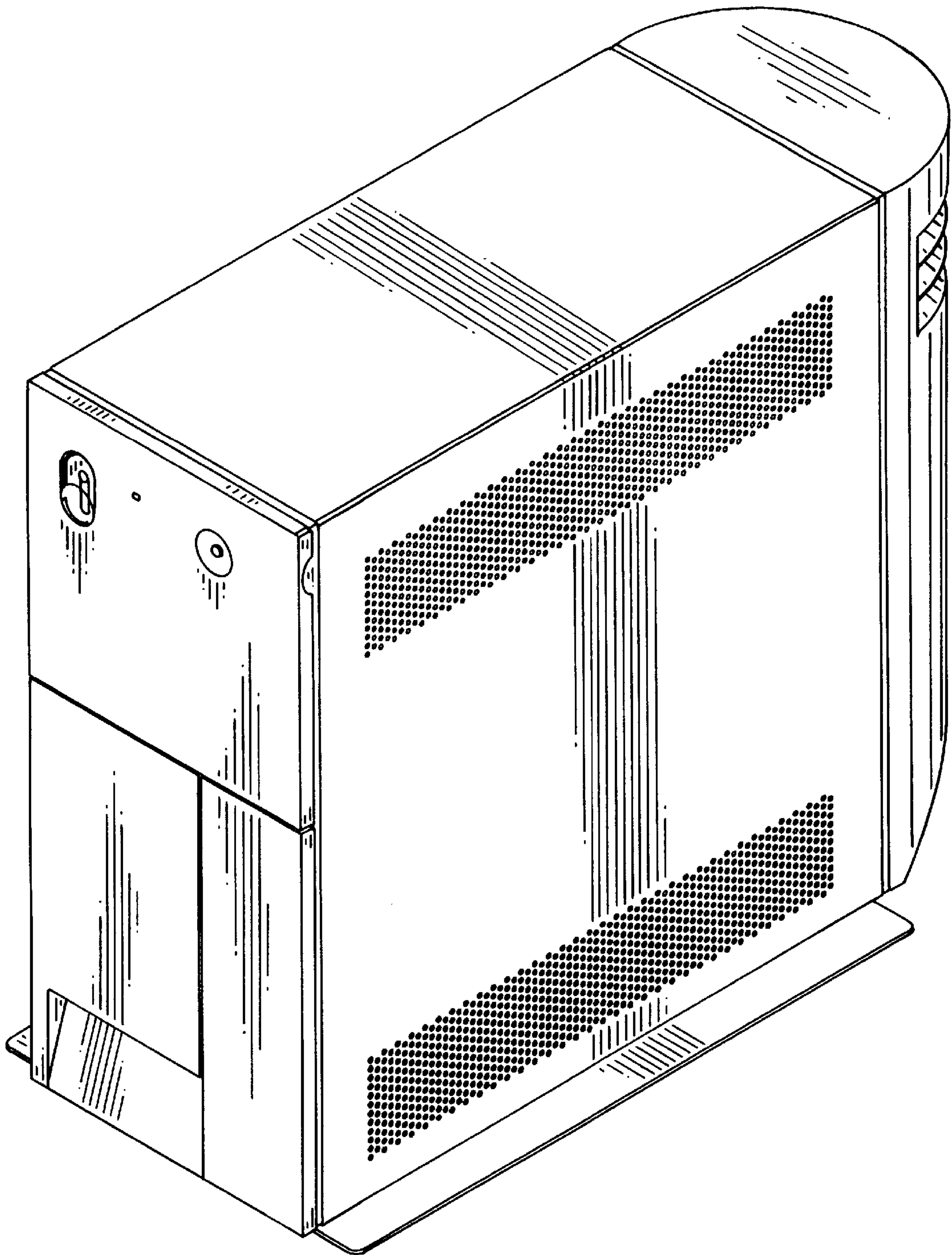


FIG. 1

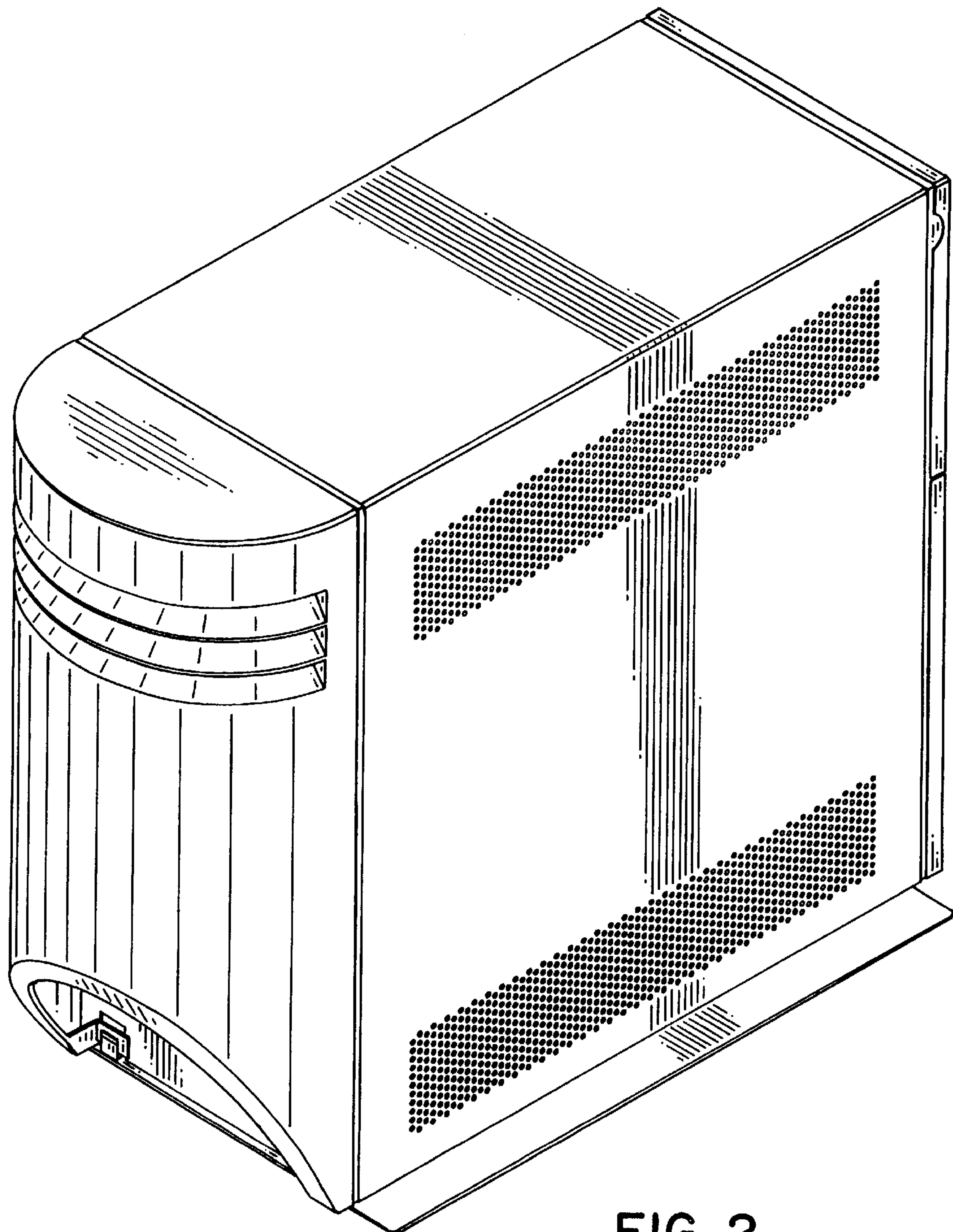


FIG. 2

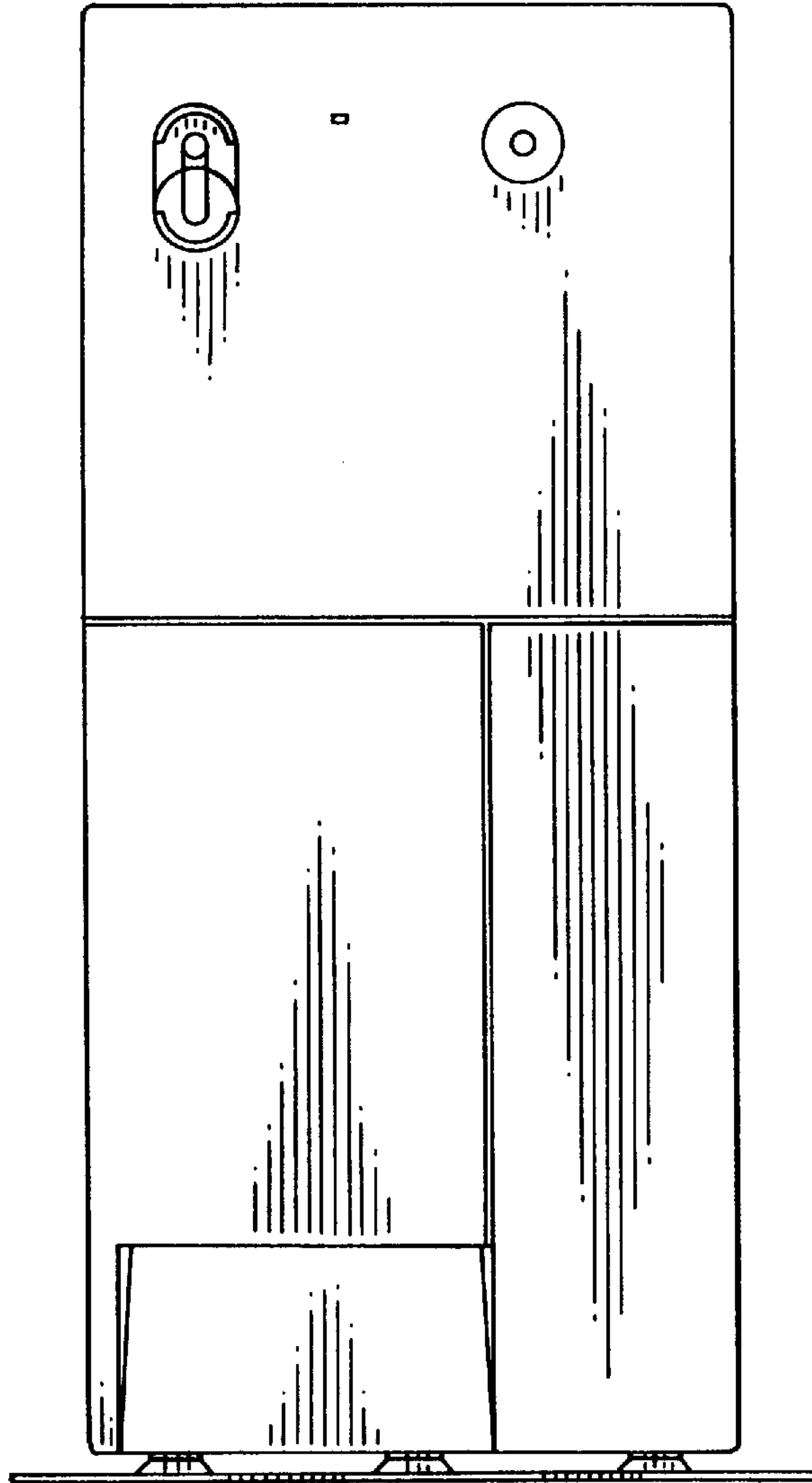


FIG. 3

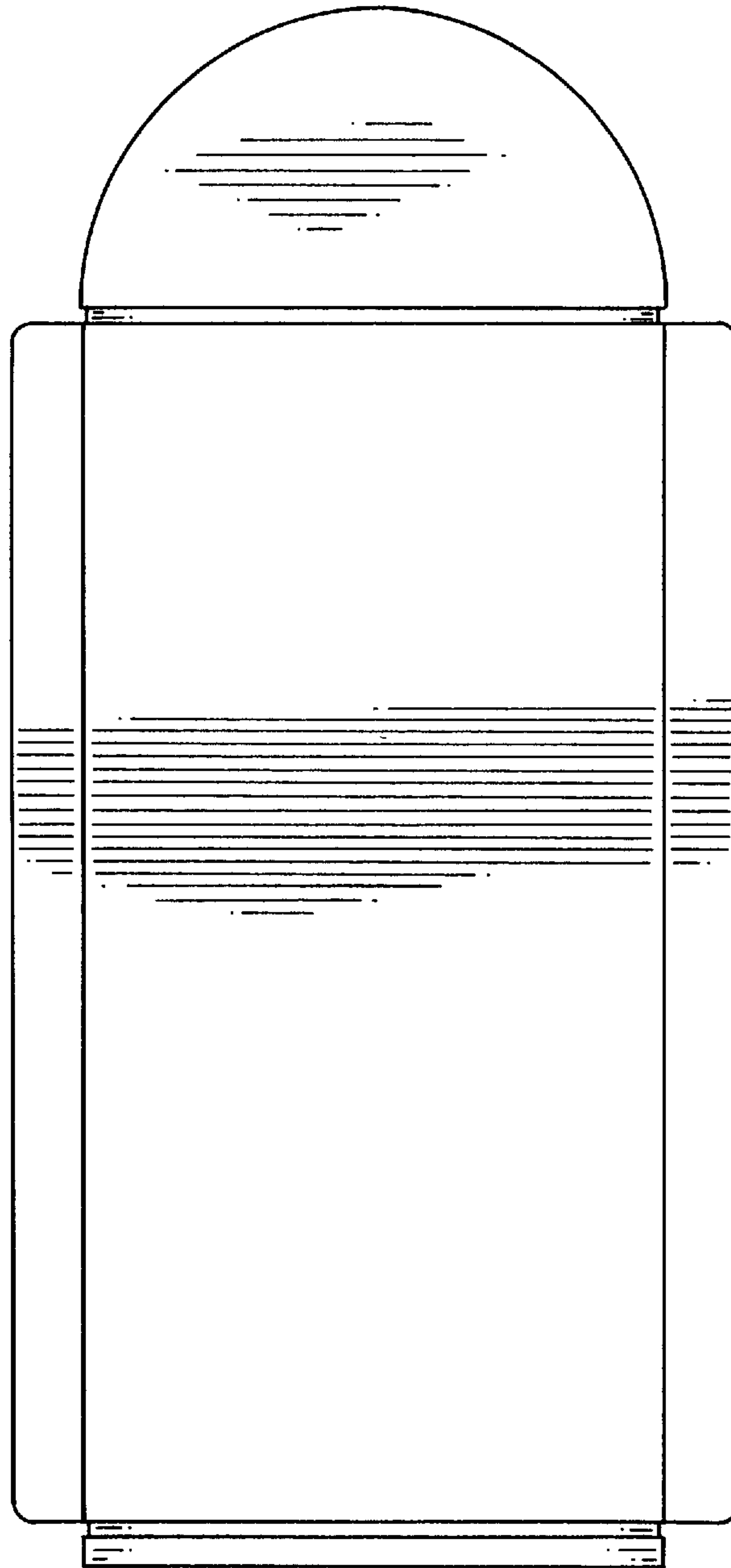


FIG. 4

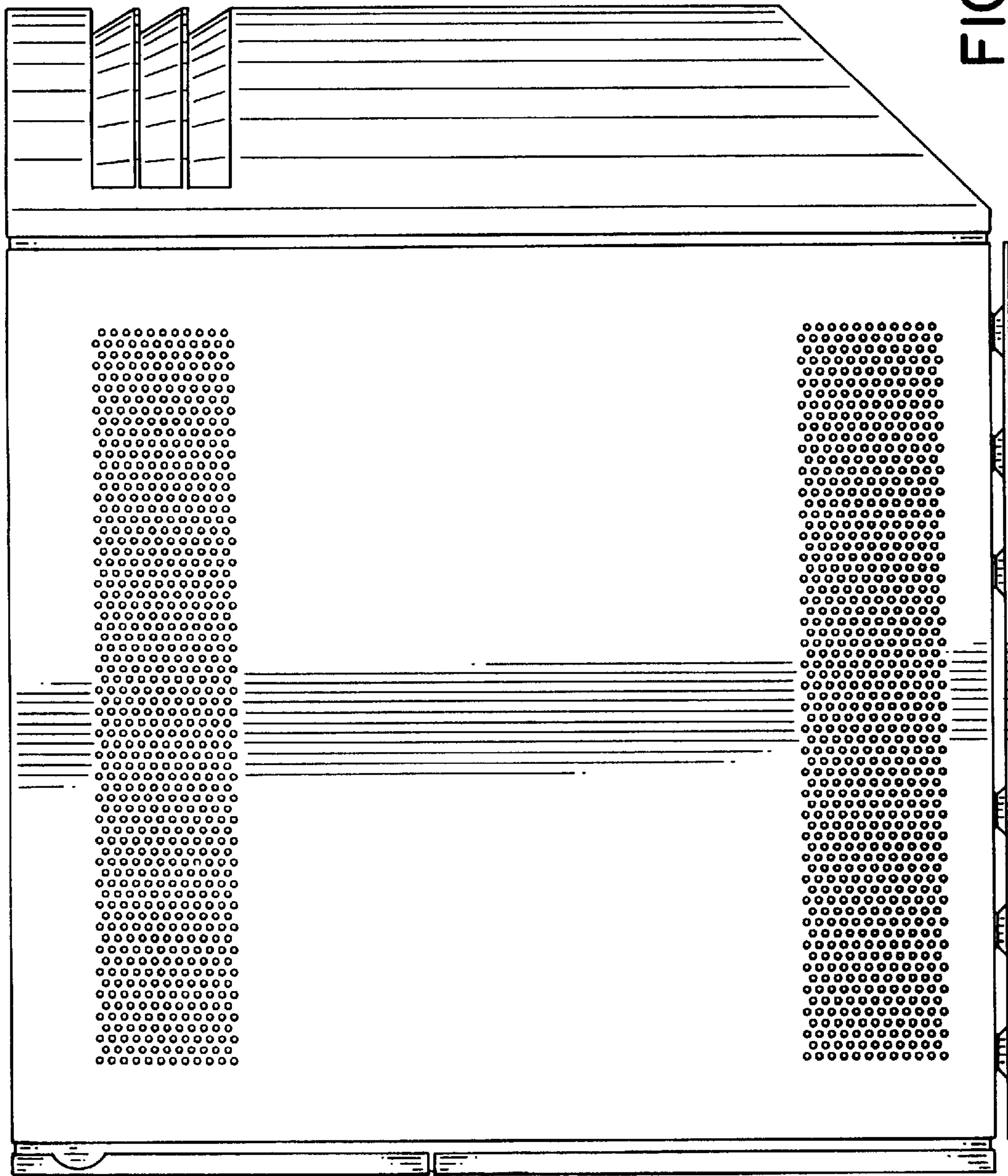


FIG. 5

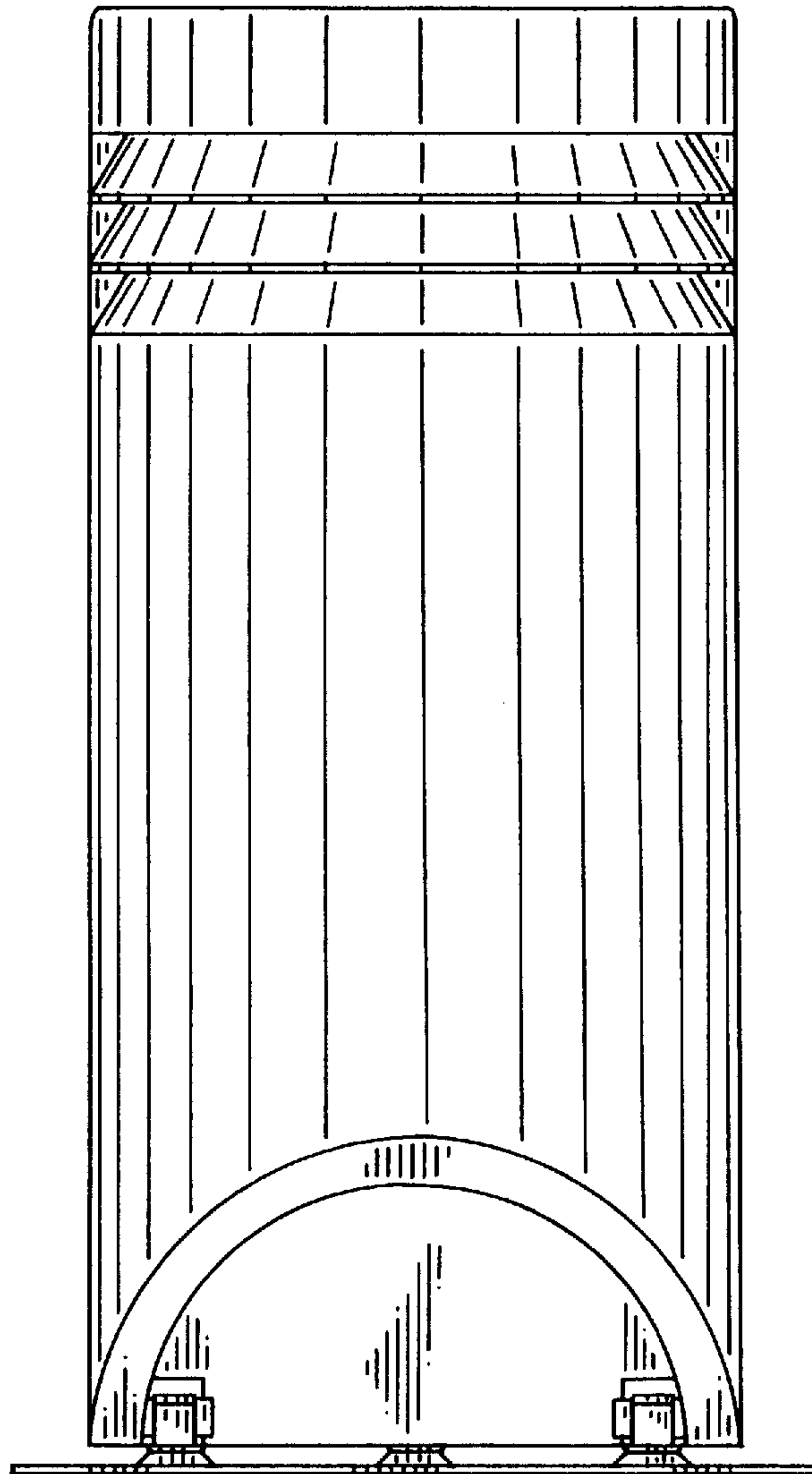


FIG. 6