



US00D406099S

United States Patent [19]

Ng et al.

[11] **Patent Number: Des. 406,099**

[45] **Date of Patent: **Feb. 23, 1999**

[54] **BATTERY CHARGER HOUSING**

[75] Inventors: **Phoebe Po-Yi Ng; Phillip A. Green,**
both of Sunrise, Fla.

[73] Assignee: **Motorola, Inc.,** Schaumburg, Ill.

[**] Term: **14 Years**

[21] Appl. No.: **86,095**

[22] Filed: **Apr. 6, 1998**

[51] **LOC (6) Cl. 13-02**

[52] **U.S. Cl. D13/107**

[58] **Field of Search** D13/107, 108,
D13/118; D14/149, 251, 252; 320/110,
112-115

[56] **References Cited**

U.S. PATENT DOCUMENTS

D. 358,364 5/1995 Siddoway D13/107
4,670,701 6/1987 Sako et al. 30/115

Primary Examiner—Joel Sincavage

Attorney, Agent, or Firm—Val Jean F. Hillman

[57] **CLAIM**

The ornamental design for a battery charger housing, as shown and described.

DESCRIPTION

FIG. 1 is a top plan view of one embodiment of a battery charger housing showing our new design; FIG. 2 is a bottom plan view thereof; FIG. 3 is a front elevational view thereof; FIG. 4 is a rear elevational view thereof; FIG. 5 is a left side elevational view thereof; FIG. 6 is a right side elevational view thereof; and FIG. 7 is a top, right, front isometric view thereof; FIG. 8 is a top plan view of another embodiment of a battery charger housing showing our new design; FIG. 9 is a bottom plan view thereof; FIG. 10 is a front elevational view thereof; FIG. 11 is a rear elevational view thereof; FIG. 12 is a left side elevational view thereof; FIG. 13 is a right side elevational view thereof; and, FIG. 14 is a top, right, front isometric view thereof.

1 Claim, 8 Drawing Sheets

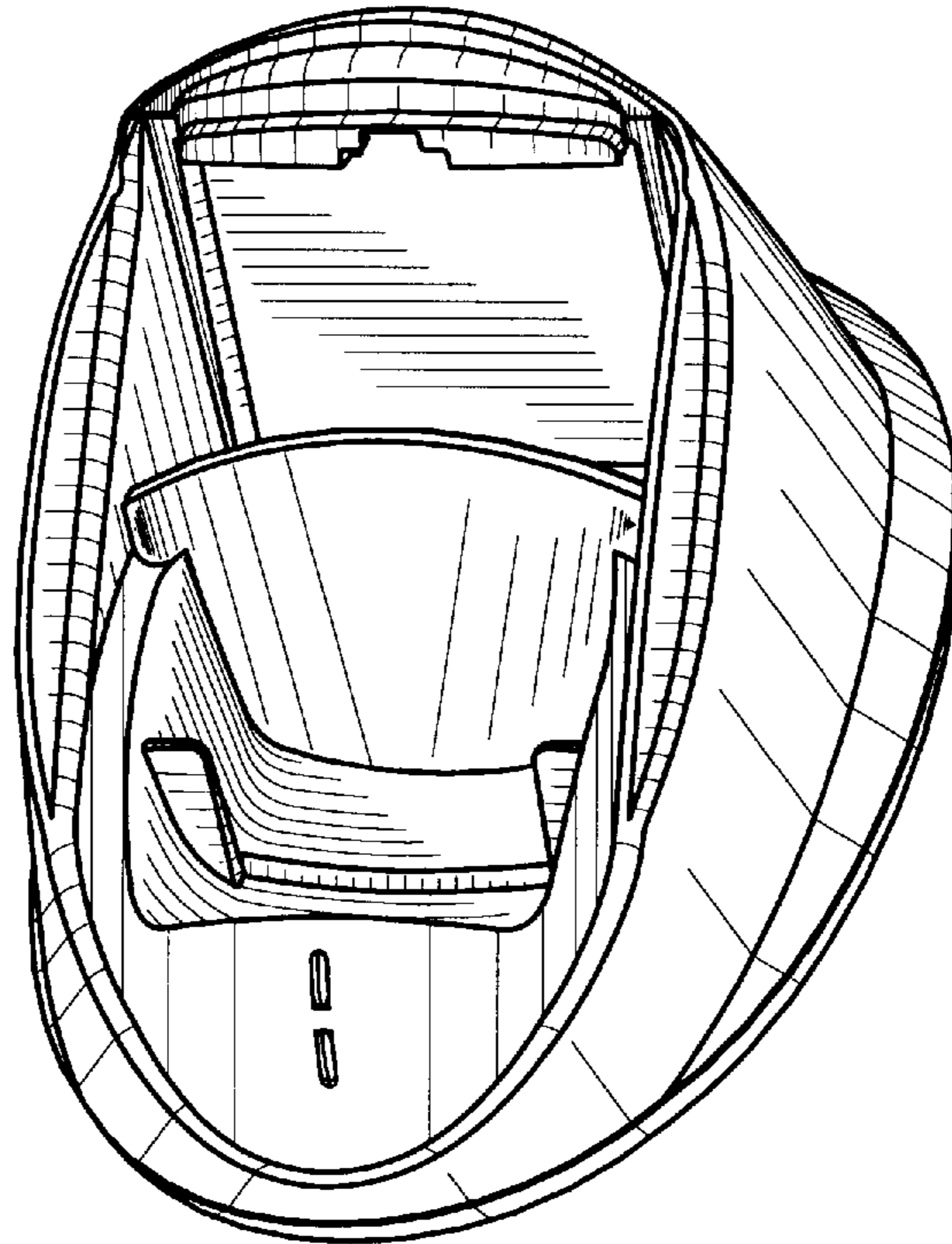


FIG. 2

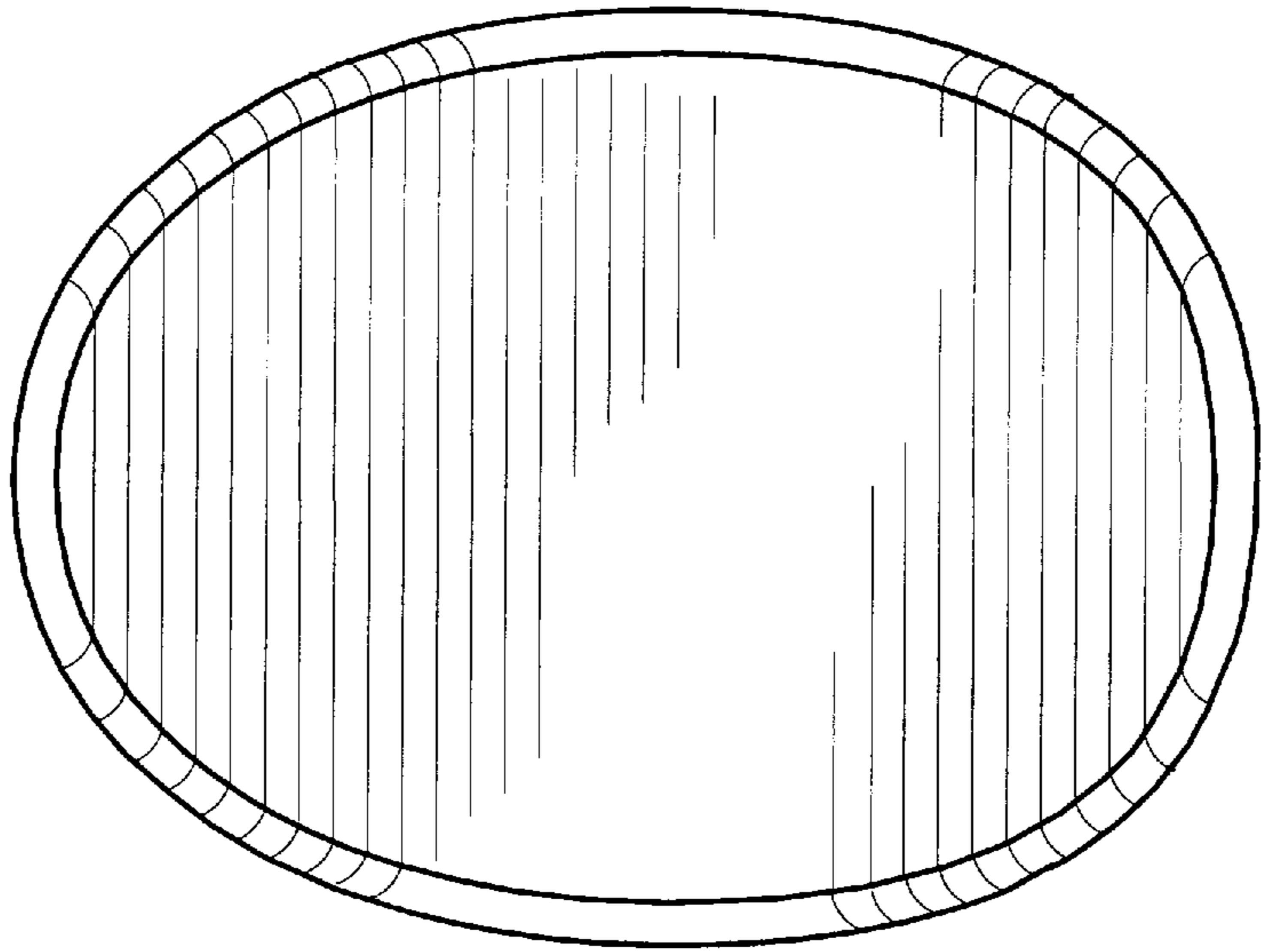


FIG. 1

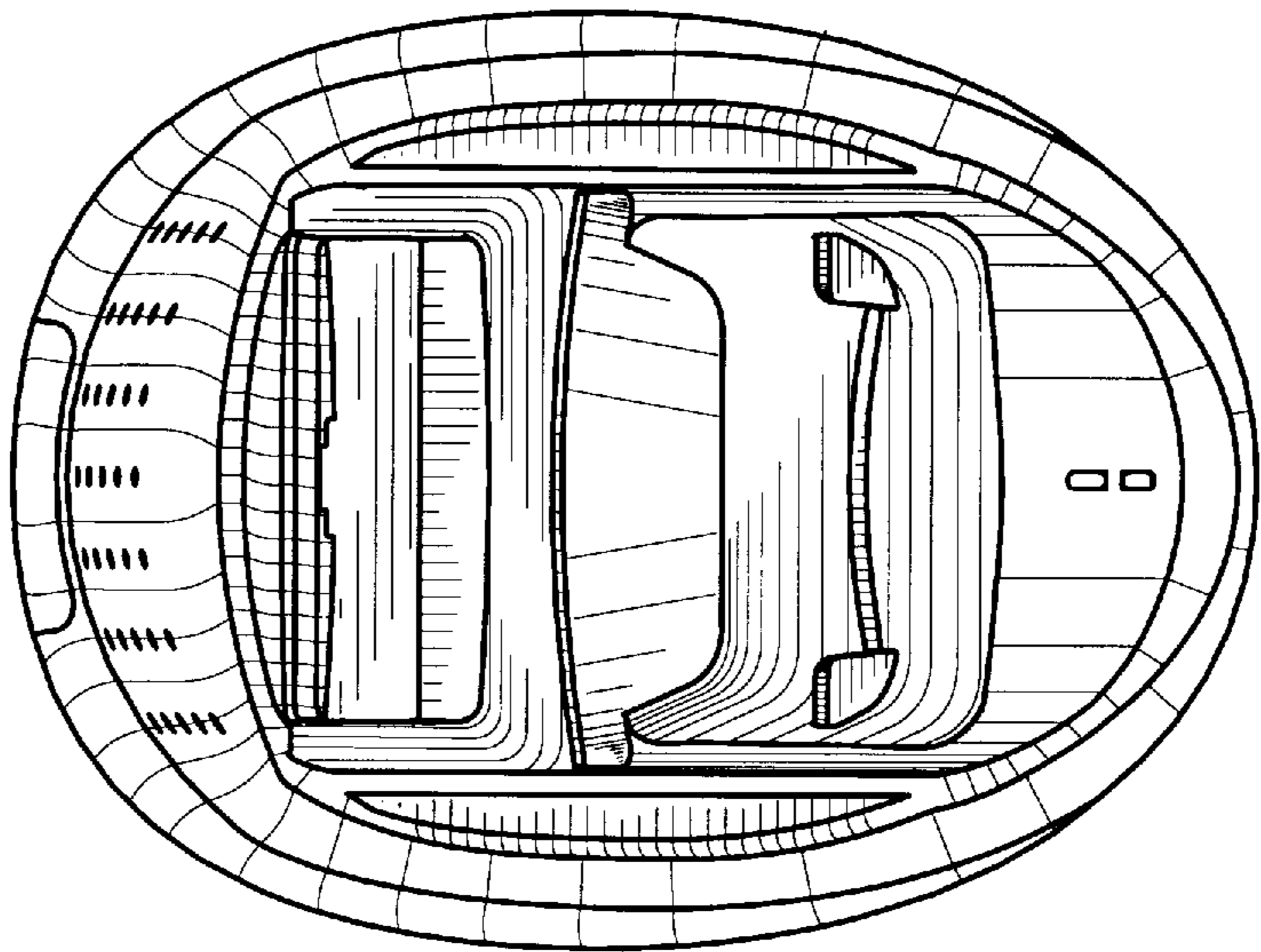


FIG. 4

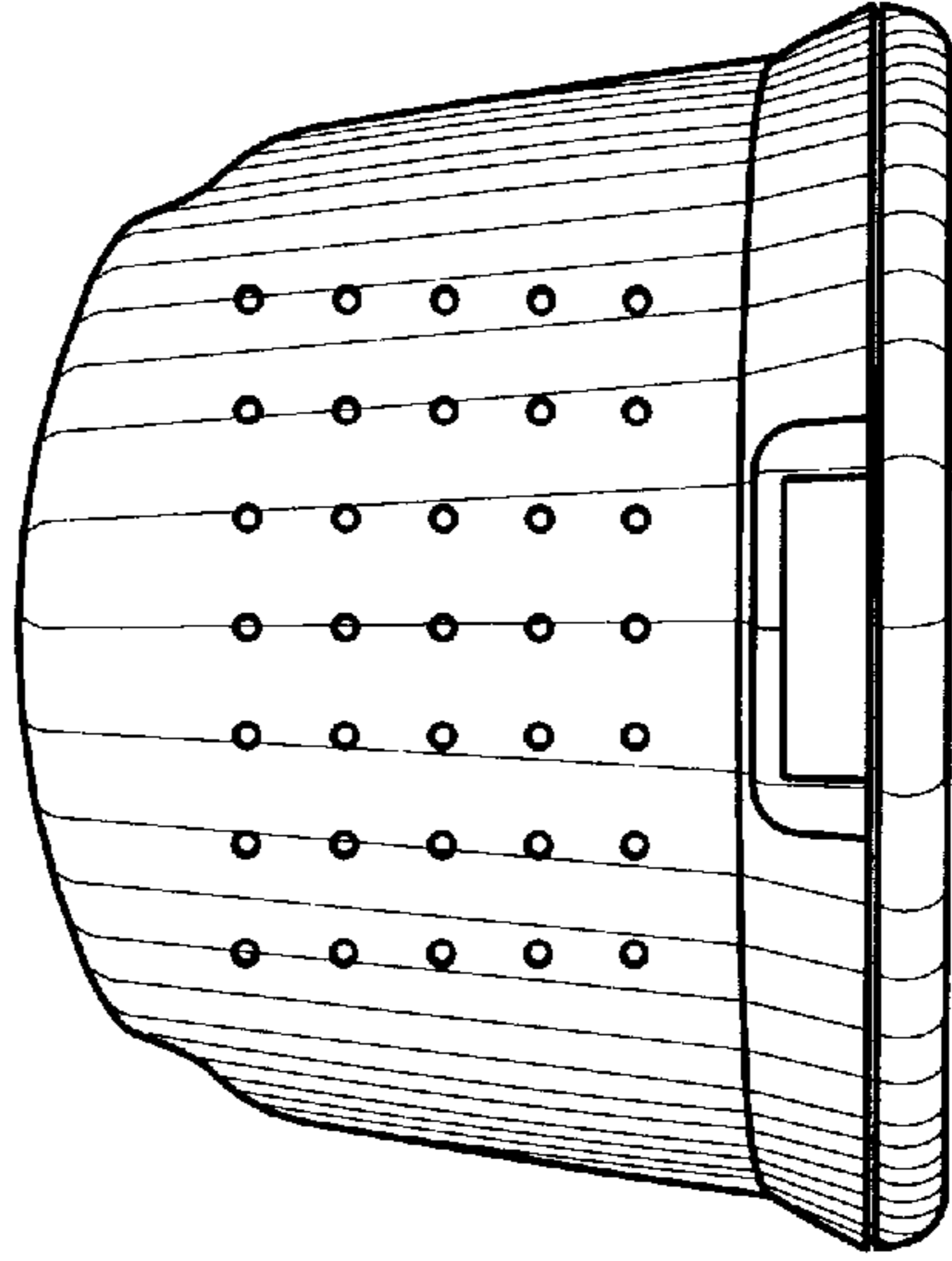


FIG. 3

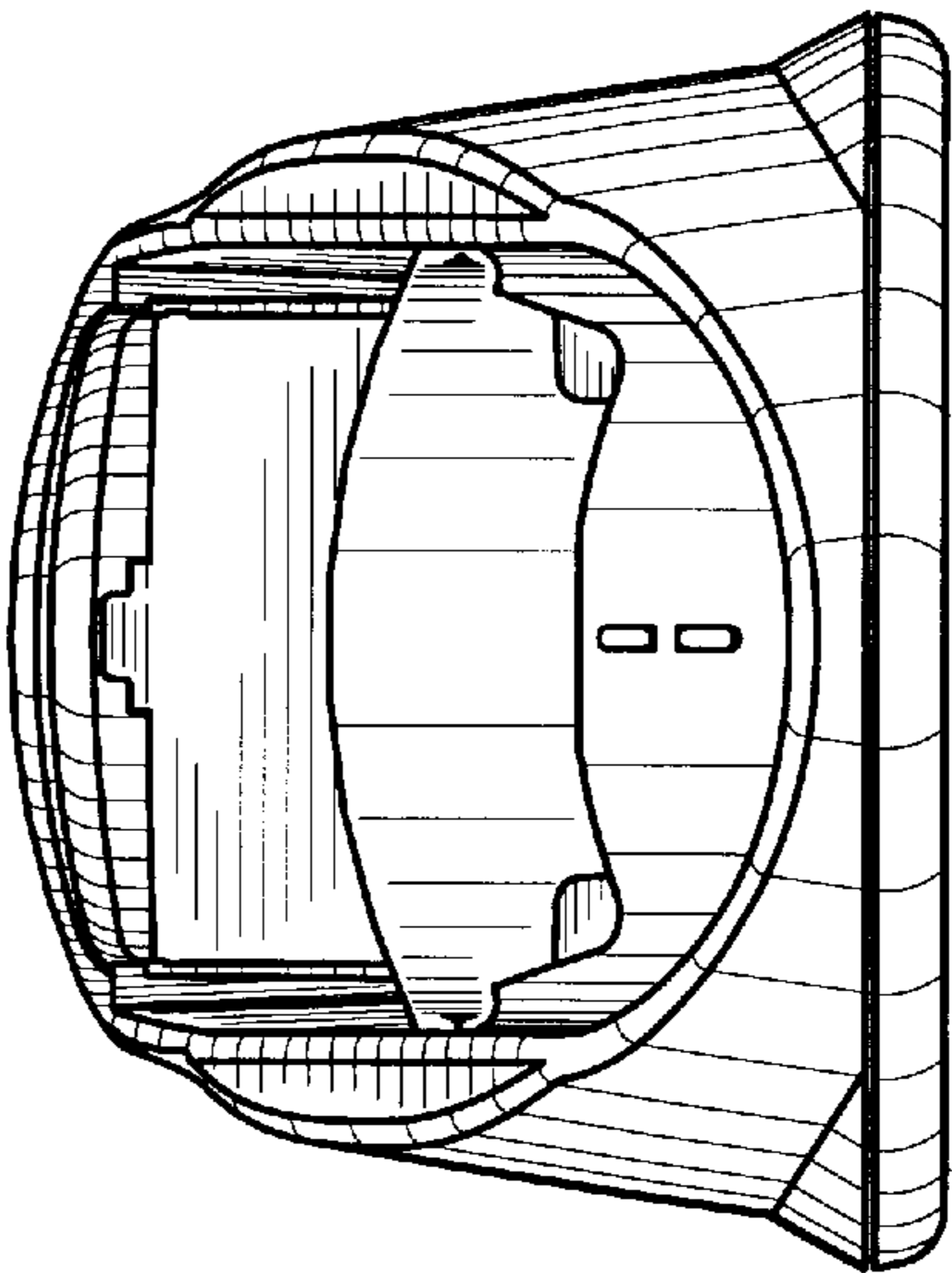


FIG. 6

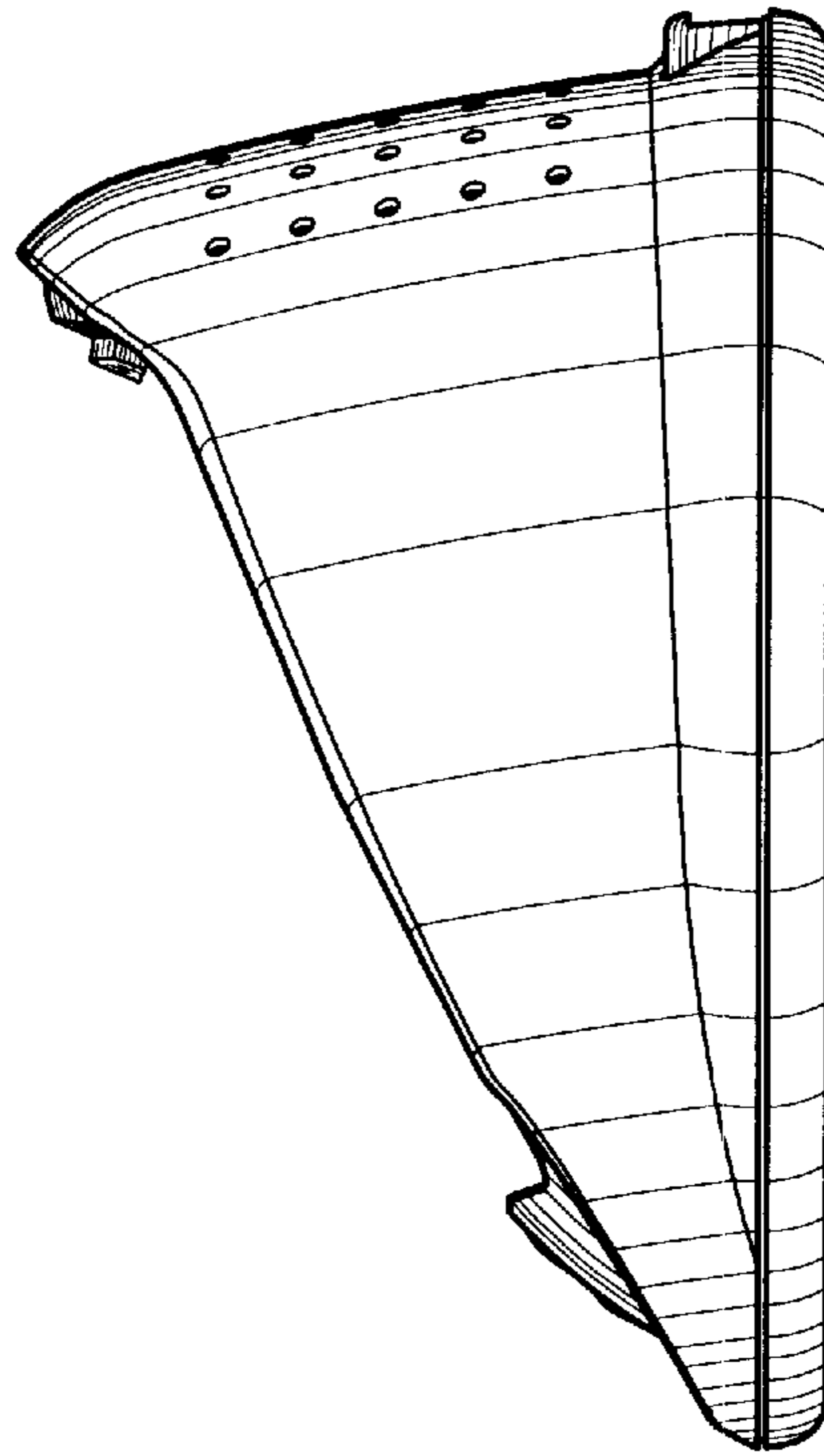


FIG. 5

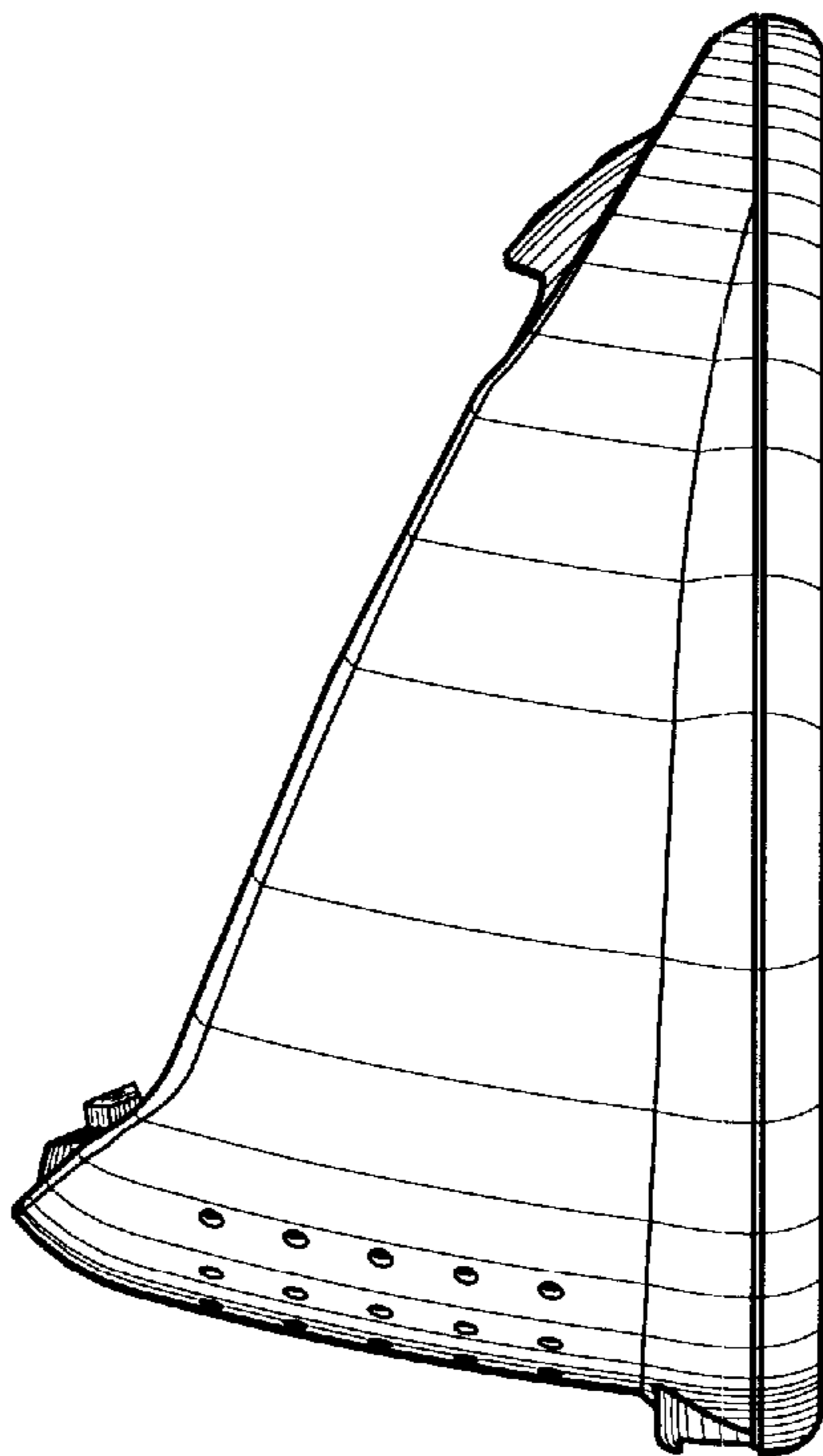


FIG. 7

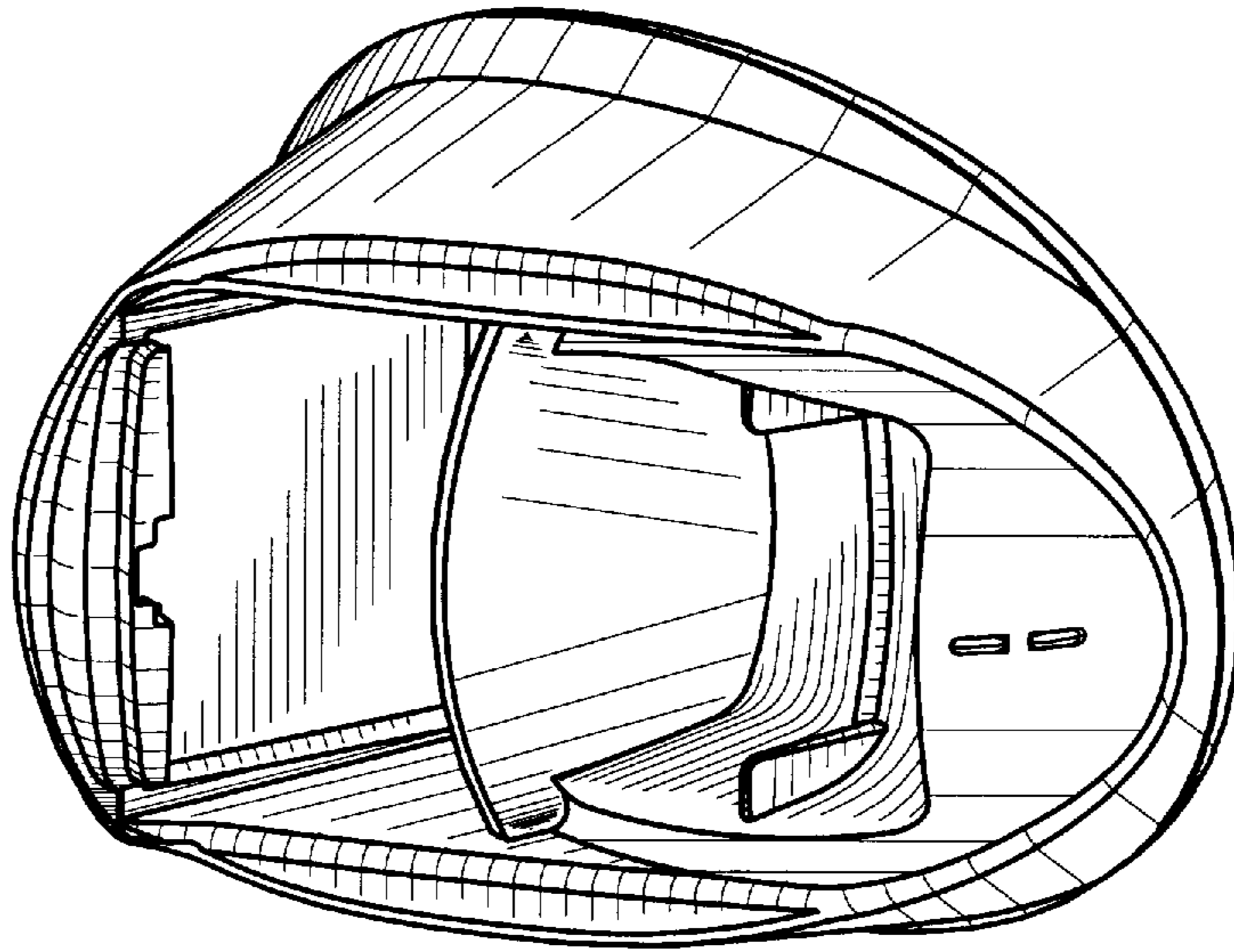


FIG. 9

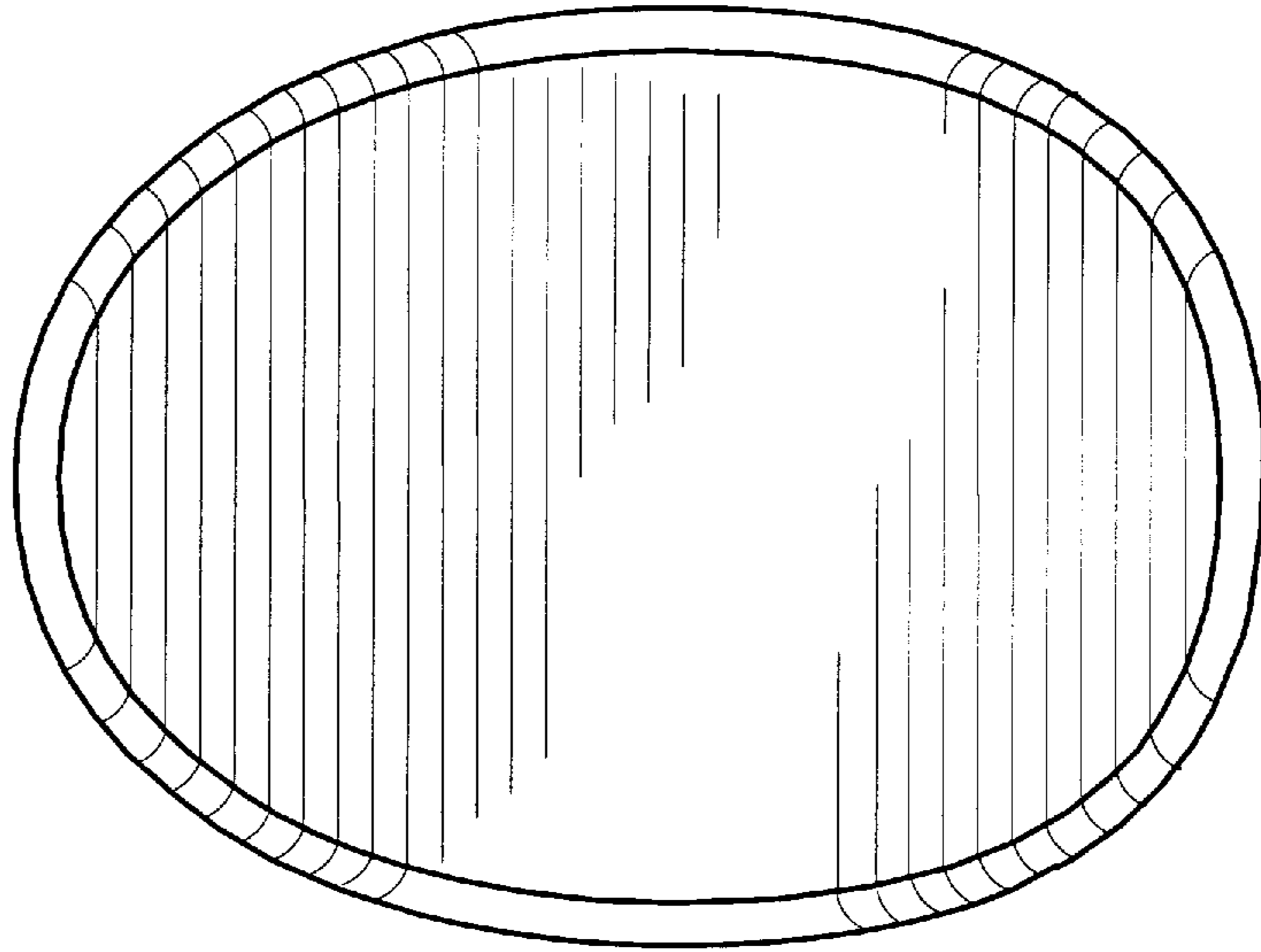


FIG. 8

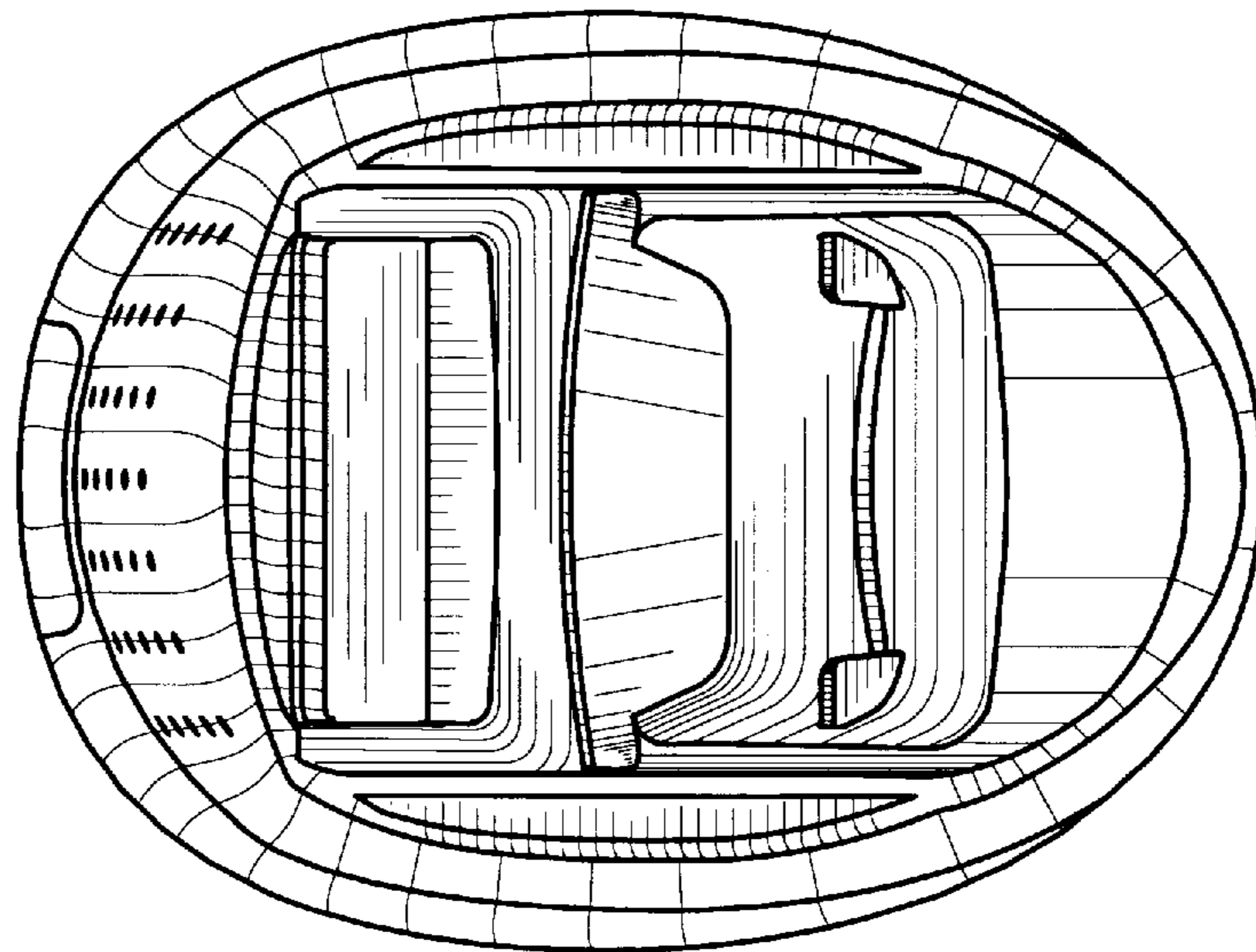


FIG. 11

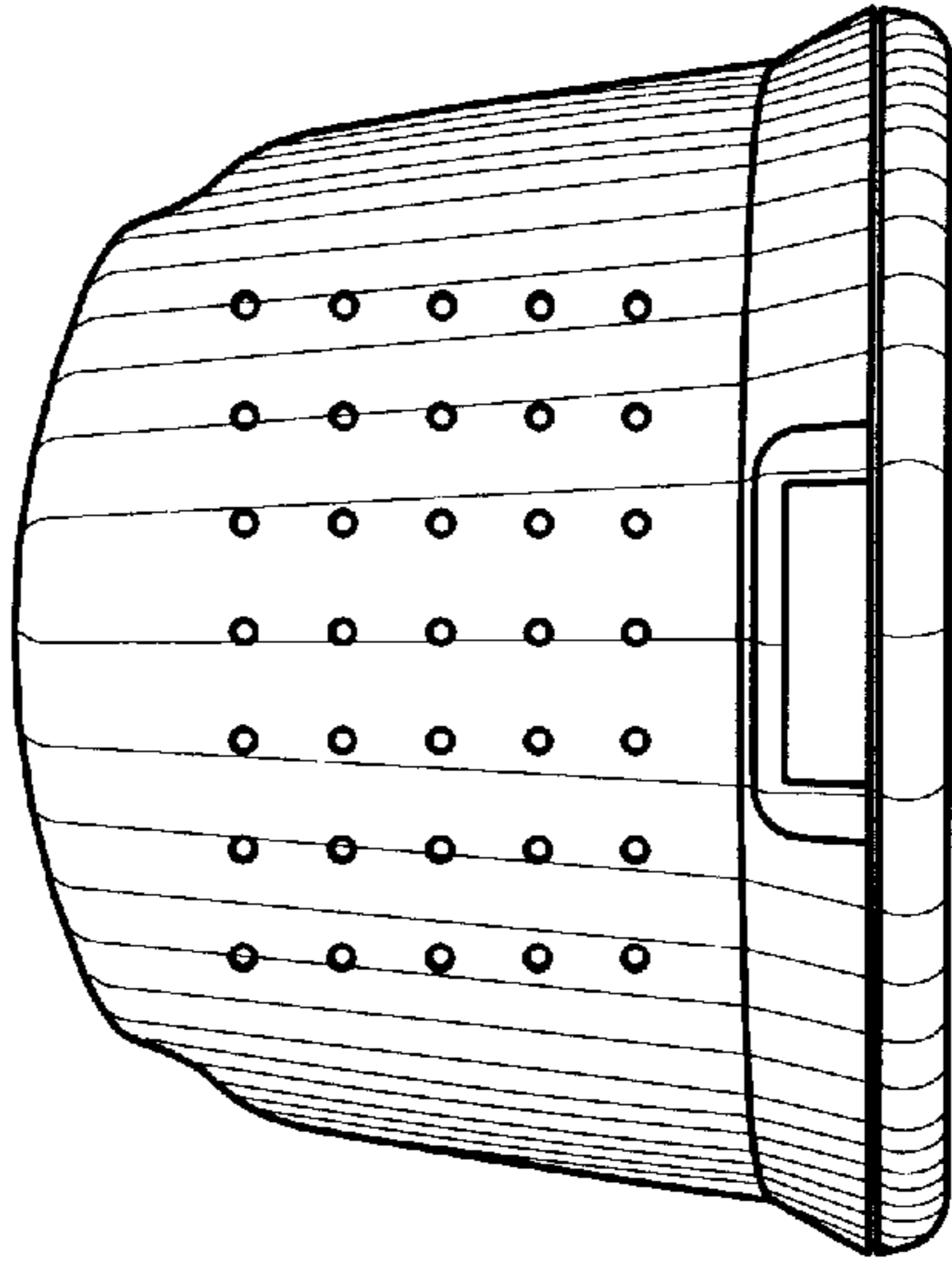


FIG. 10

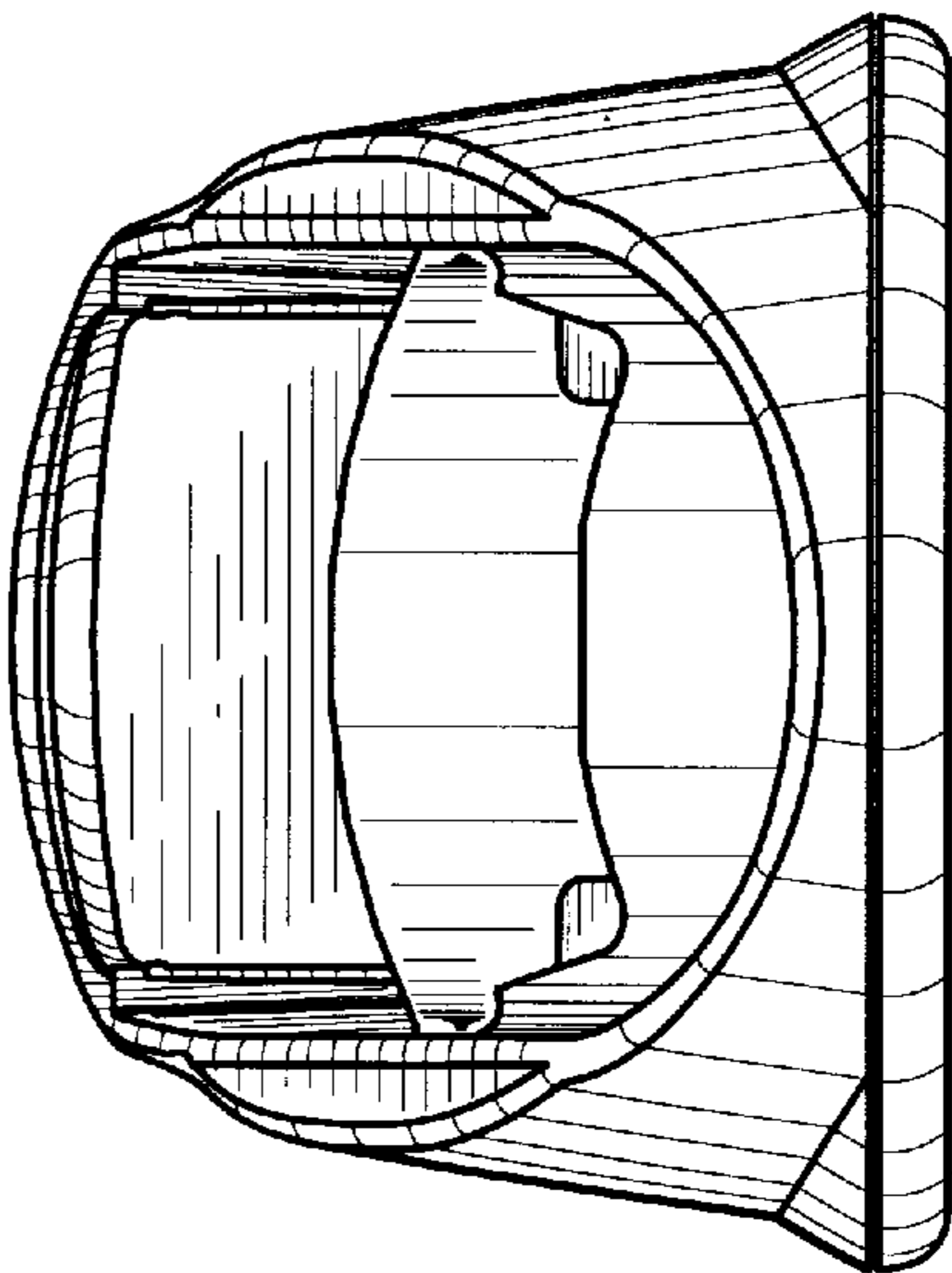


FIG. 13

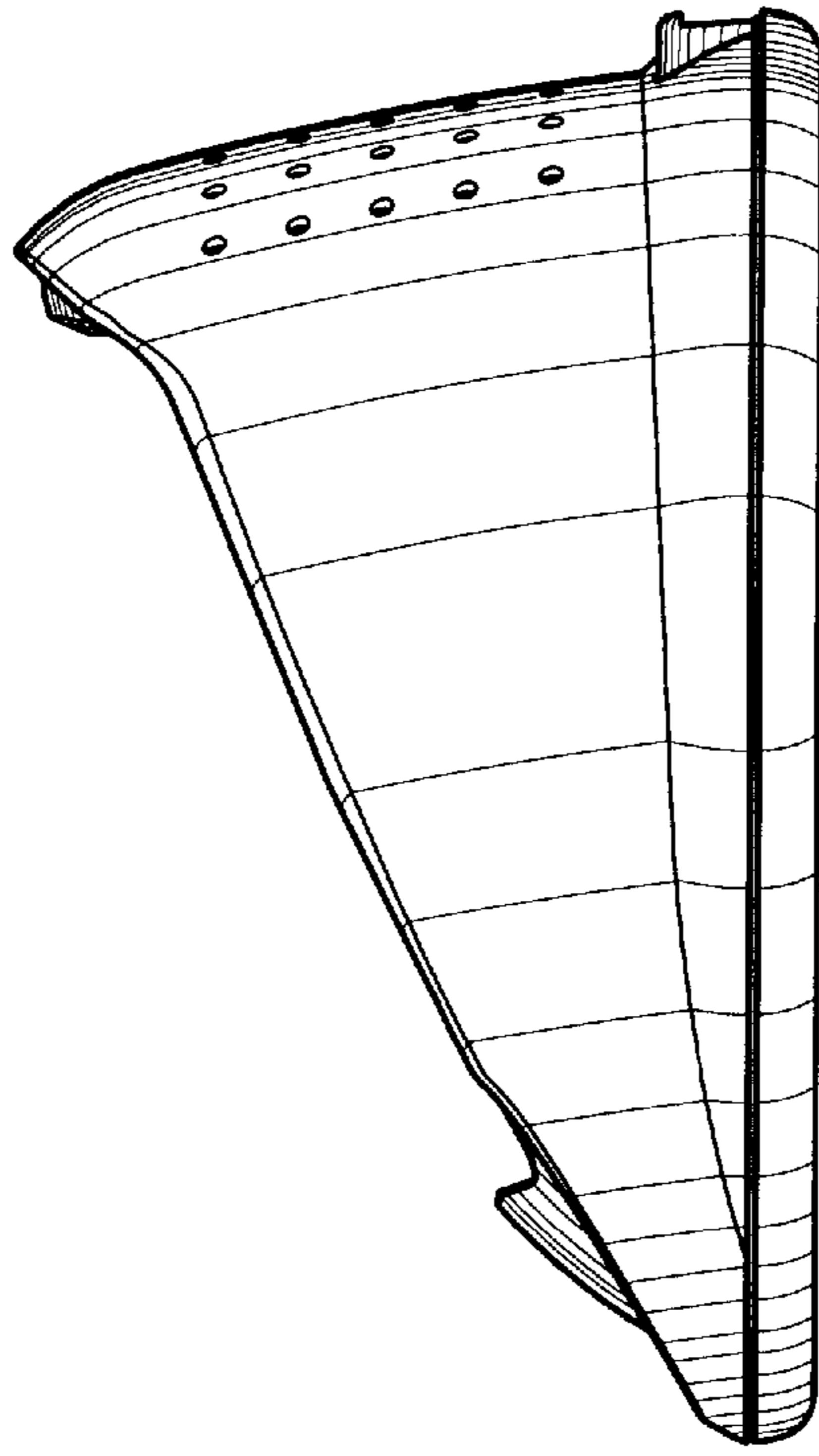


FIG. 12

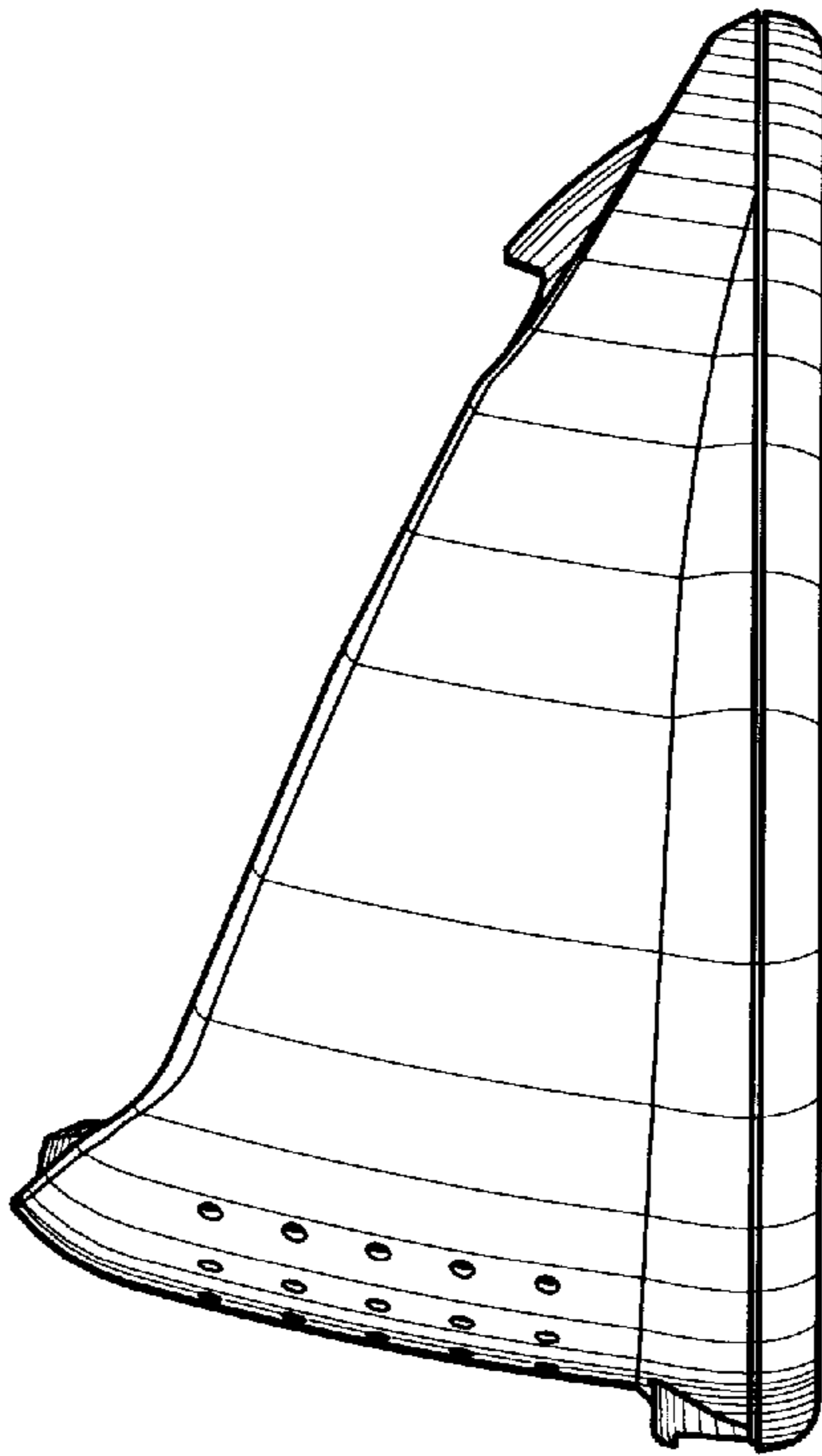


FIG. 14

