



US00D406097S

United States Patent [19] Lindahl

[11] **Patent Number: Des. 406,097**

[45] **Date of Patent: **Feb. 23, 1999**

[54] **BATTERY**

D. 389,455 1/1998 Lindahl D13/103

[75] Inventor: **Richard Lindahl**, Malmö, Sweden

Primary Examiner—Joel Sincavage
Attorney, Agent, or Firm—Burns, Doane, Swecker & Mathis, L.L.P.

[73] Assignee: **Telefonaktiebolaget LM Ericsson**, Stockholm, Sweden

[**] Term: **14 Years**

[57] **CLAIM**

[21] Appl. No.: **62,527**

I claim the ornamental design for the battery, as shown and described.

[22] Filed: **Nov. 18, 1996**

DESCRIPTION

[30] **Foreign Application Priority Data**

May 17, 1996 [SE] Sweden 96-1133

FIG. 1 is a top, front, left perspective view of the battery incorporating my new design thereof;
FIG. 2 is a bottom, rear, right perspective view thereof;
FIG. 3 is a bottom plan view thereof;
FIG. 4 is a right elevational view thereof;
FIG. 5 is a top plan view thereof;
FIG. 6 is left elevational view thereof;
FIG. 7 is a front elevational view thereof; and,
FIG. 8 is a rear elevational view thereof.

[51] **LOC (6) Cl.** **13-02**

[52] **U.S. Cl.** **D13/103**

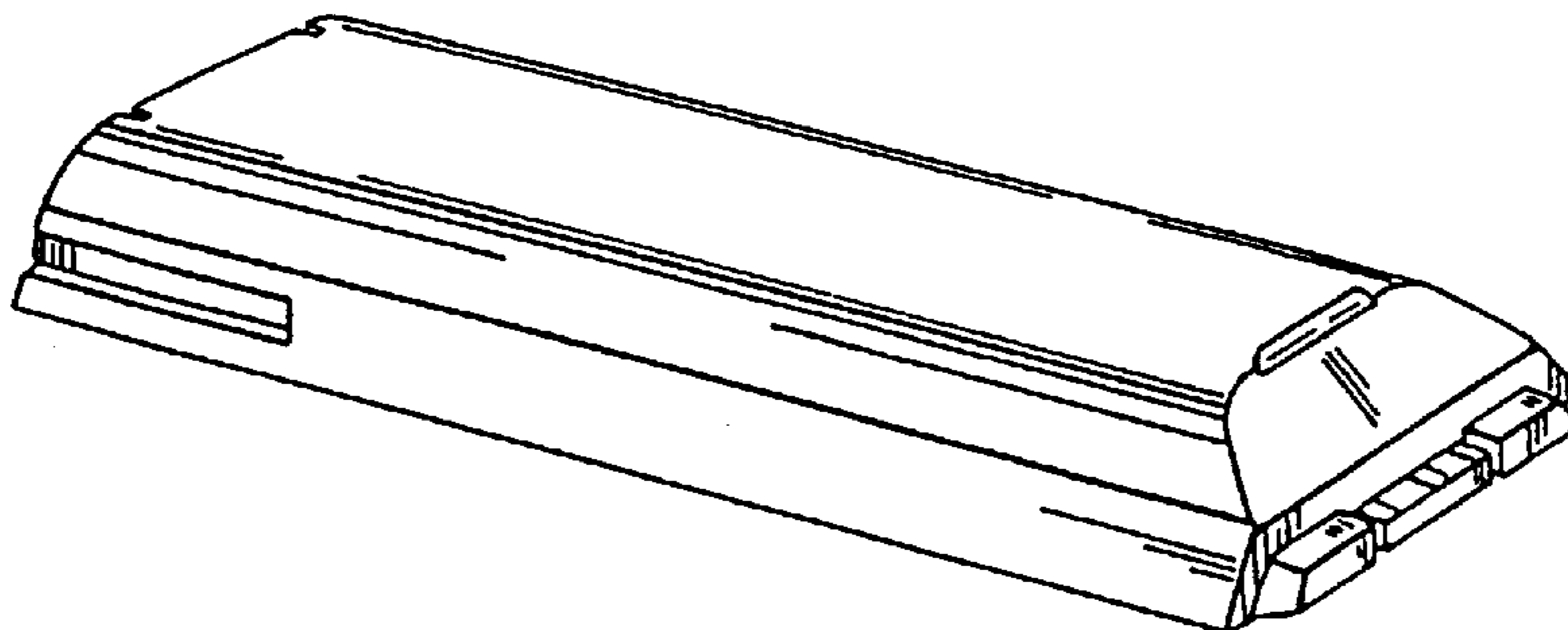
[58] **Field of Search** D13/103, 118, D13/119; 429/96-100, 163, 176

[56] **References Cited**

U.S. PATENT DOCUMENTS

D. 365,801 1/1996 Lindahl D13/103

1 Claim, 2 Drawing Sheets



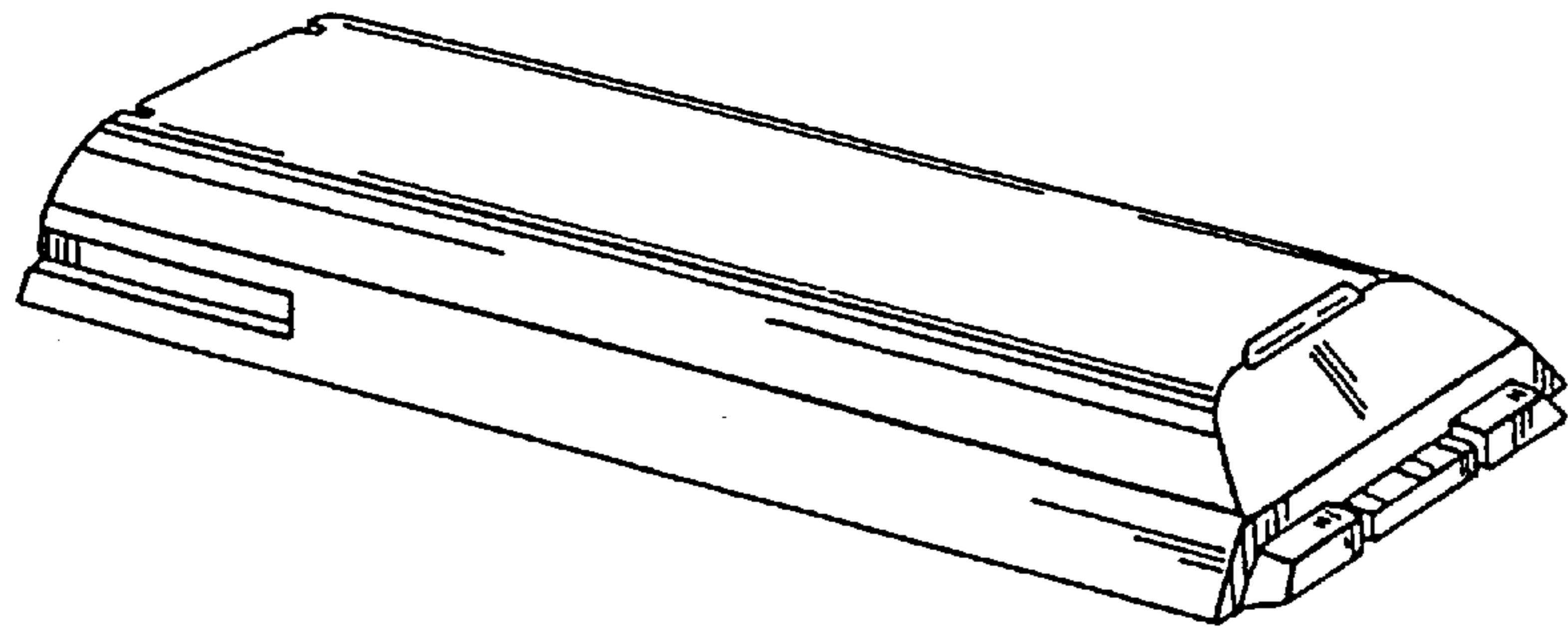


FIG. 1

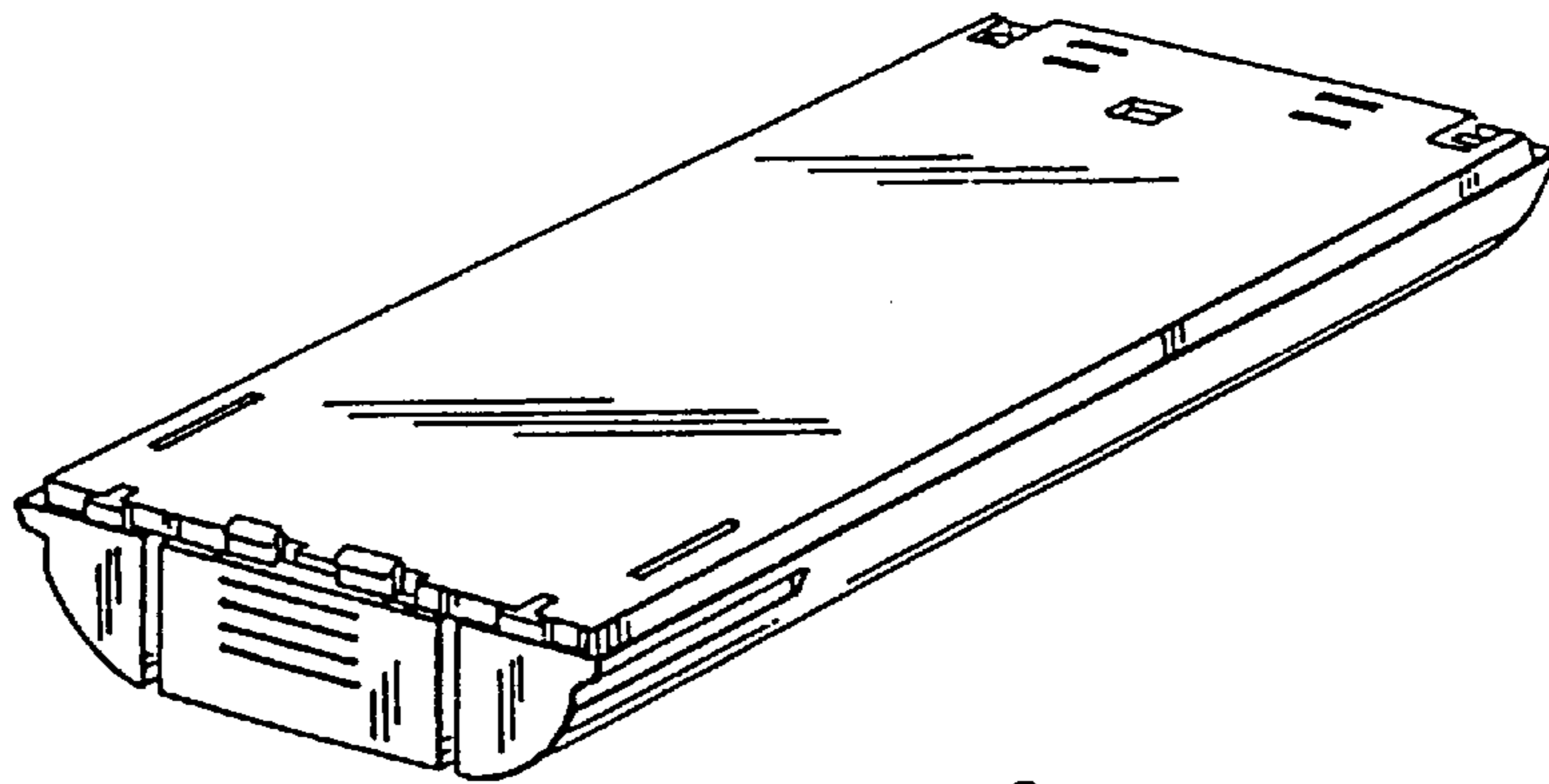


FIG. 2

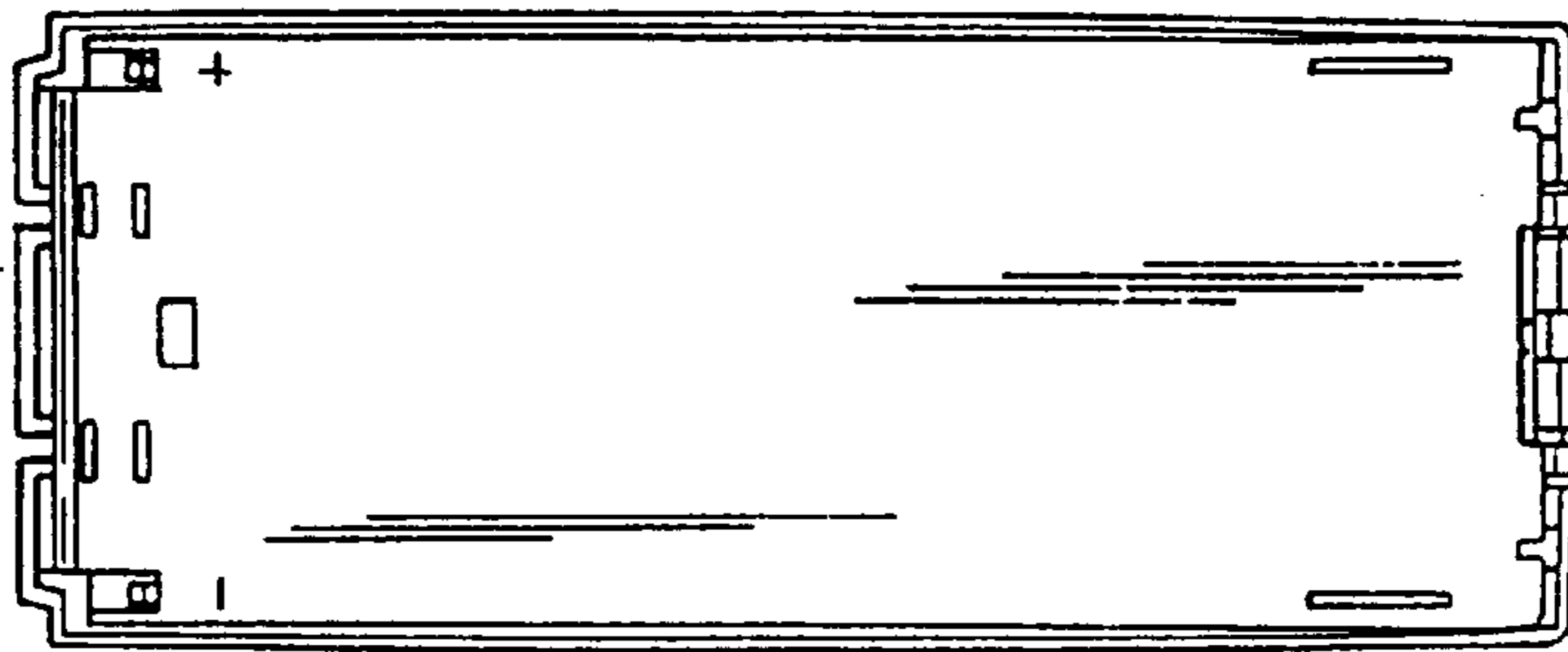


FIG. 3

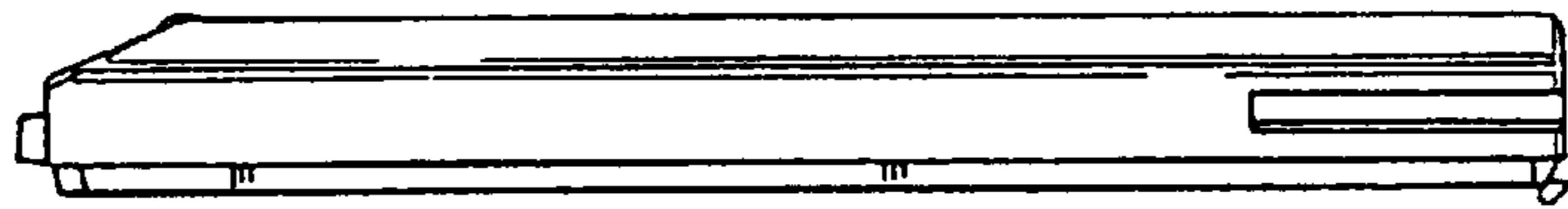


FIG. 4

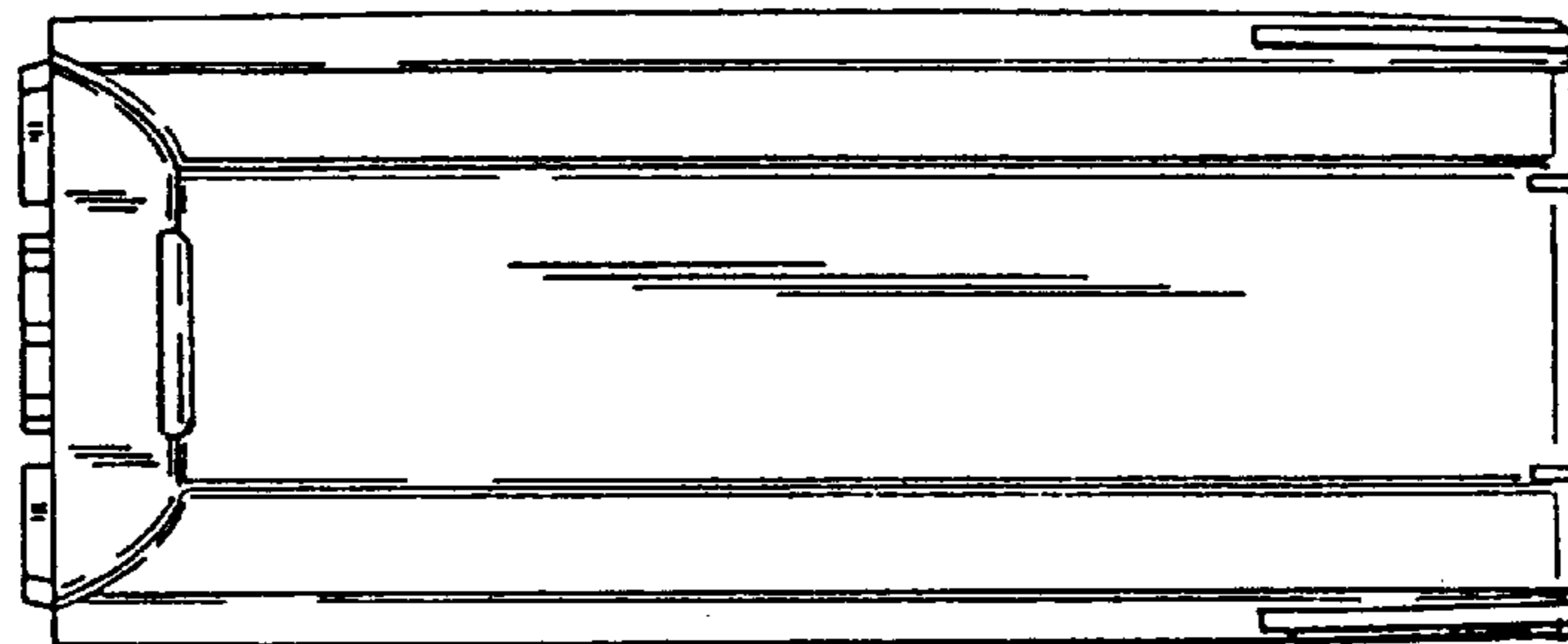


FIG. 5

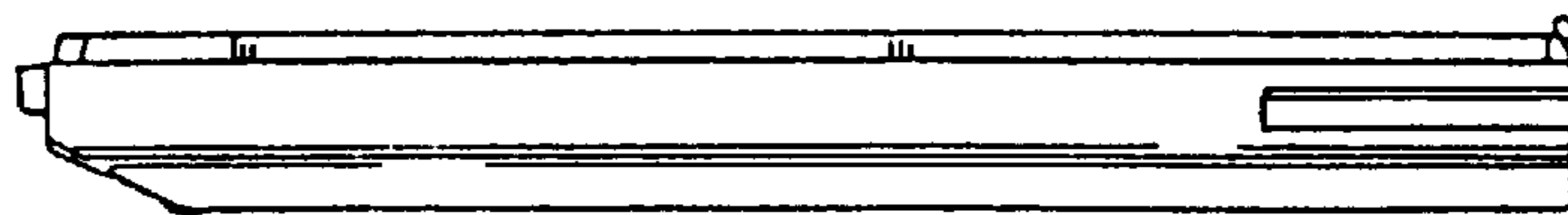


FIG. 6



FIG. 7

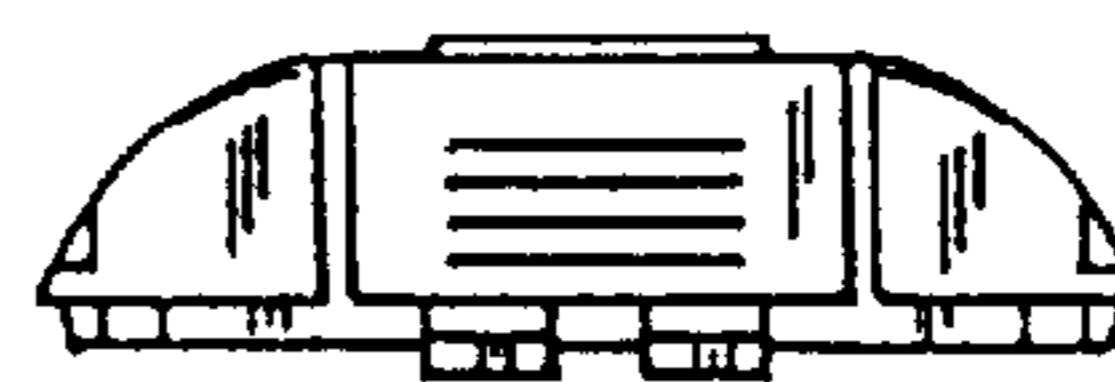


FIG. 8