



US00D406096S

United States Patent [19]

Lucas, Jr.

[11] **Patent Number: Des. 406,096**

[45] **Date of Patent: **Feb. 23, 1999**

[54] **CARGO NET FOR VEHICLE SEAT BACK**

[75] Inventor: **Earl Clyde Lucas, Jr.**, Auburn Hills, Mich.

[73] Assignee: **Lear Corporation**, Southfield, Mich.

[**] Term: **14 Years**

[21] Appl. No.: **66,904**

[22] Filed: **Feb. 24, 1997**

[51] **LOC (6) Cl.** **12-16**

[52] **U.S. Cl.** **D12/416; D6/611**

[58] **Field of Search** D12/415, 416; D6/611, 513-514, 553, 556, 559, 336, 356; 224/42.11, 42.46, 275-277, 539; 296/37.16, 37.15; 297/191, 188.18, 163

[56] **References Cited**

U.S. PATENT DOCUMENTS

- D. 324,953 3/1992 Swanner D12/416
- D. 344,625 3/1994 Berry D12/416
- D. 364,297 11/1995 Daniel D6/513
- D. 365,481 12/1995 McKeon D6/513

- D. 379,452 5/1997 Russell et al. D12/416
- D. 379,889 6/1997 McArdle D6/513
- D. 389,115 1/1998 Alves et al. D12/416
- D. 394,733 5/1998 Nowicki D12/416 X

Primary Examiner—James Gandy
Assistant Examiner—Stacia Sinuik
Attorney, Agent, or Firm—Brooks & Kushman P.C.

[57] **CLAIM**

The ornamental design for a cargo net for vehicle seat back, as shown and described.

DESCRIPTION

FIG. 1 is a top front perspective view of a cargo net for vehicle seat back showing my new design; FIG. 2 is a left side view thereof; FIG. 3 is a front elevation thereof; FIG. 4 is a top view thereof; FIG. 5 is a right side view thereof; and, FIG. 6 is a bottom view thereof.

The broken line showing of environment is for illustrative purposes only and forms no part of the claimed design;

1 Claim, 2 Drawing Sheets

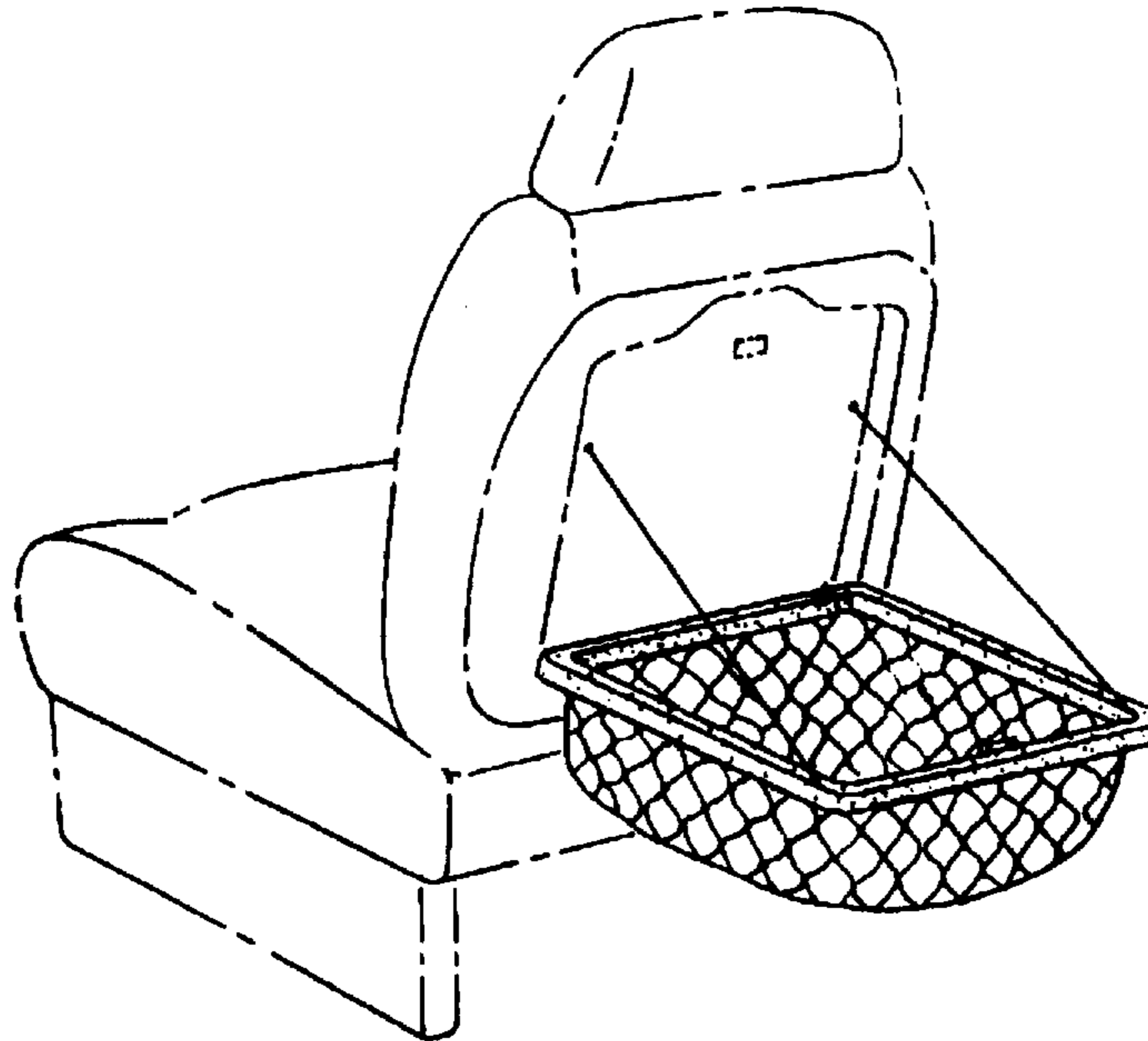


FIG 1

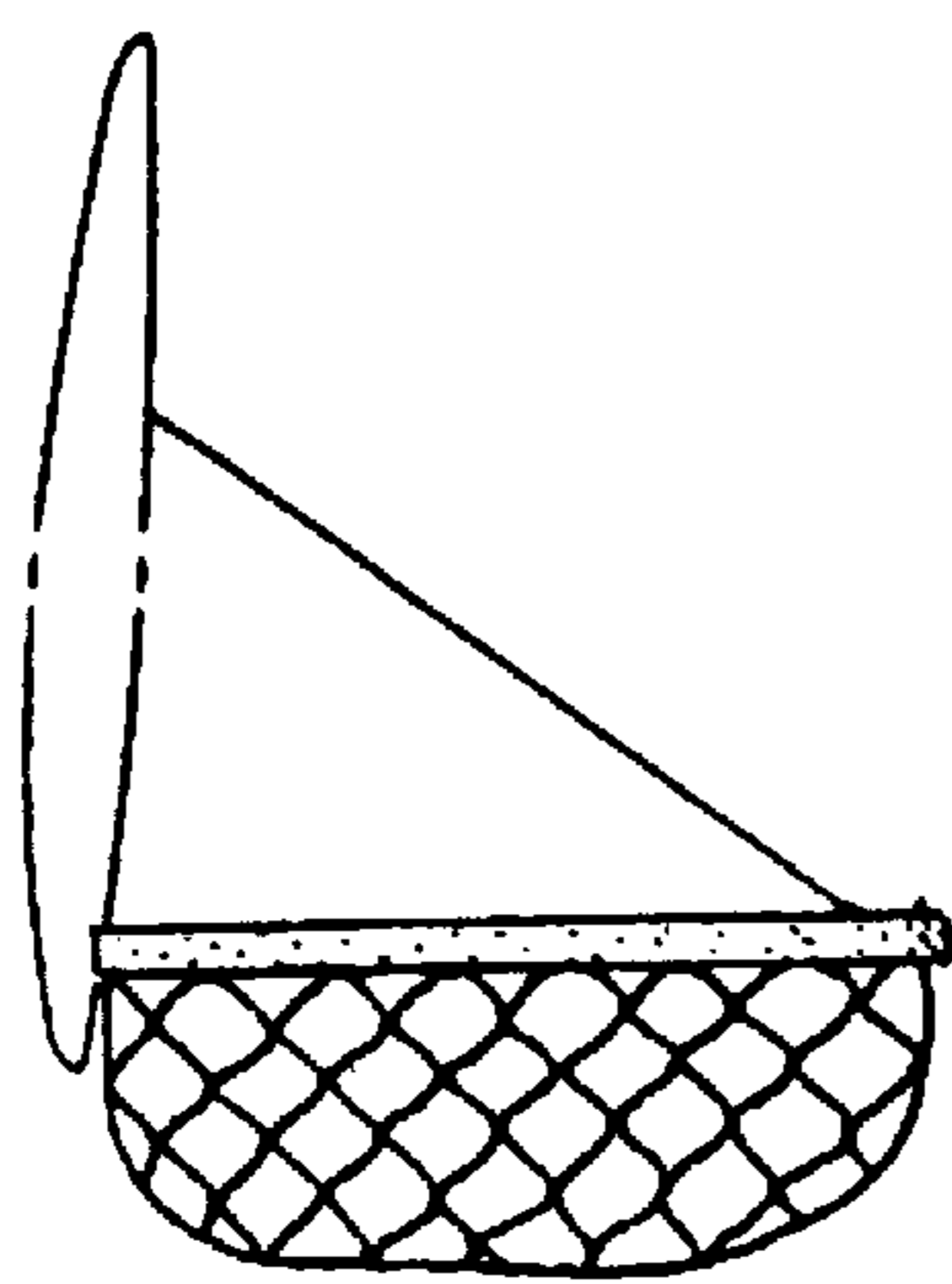
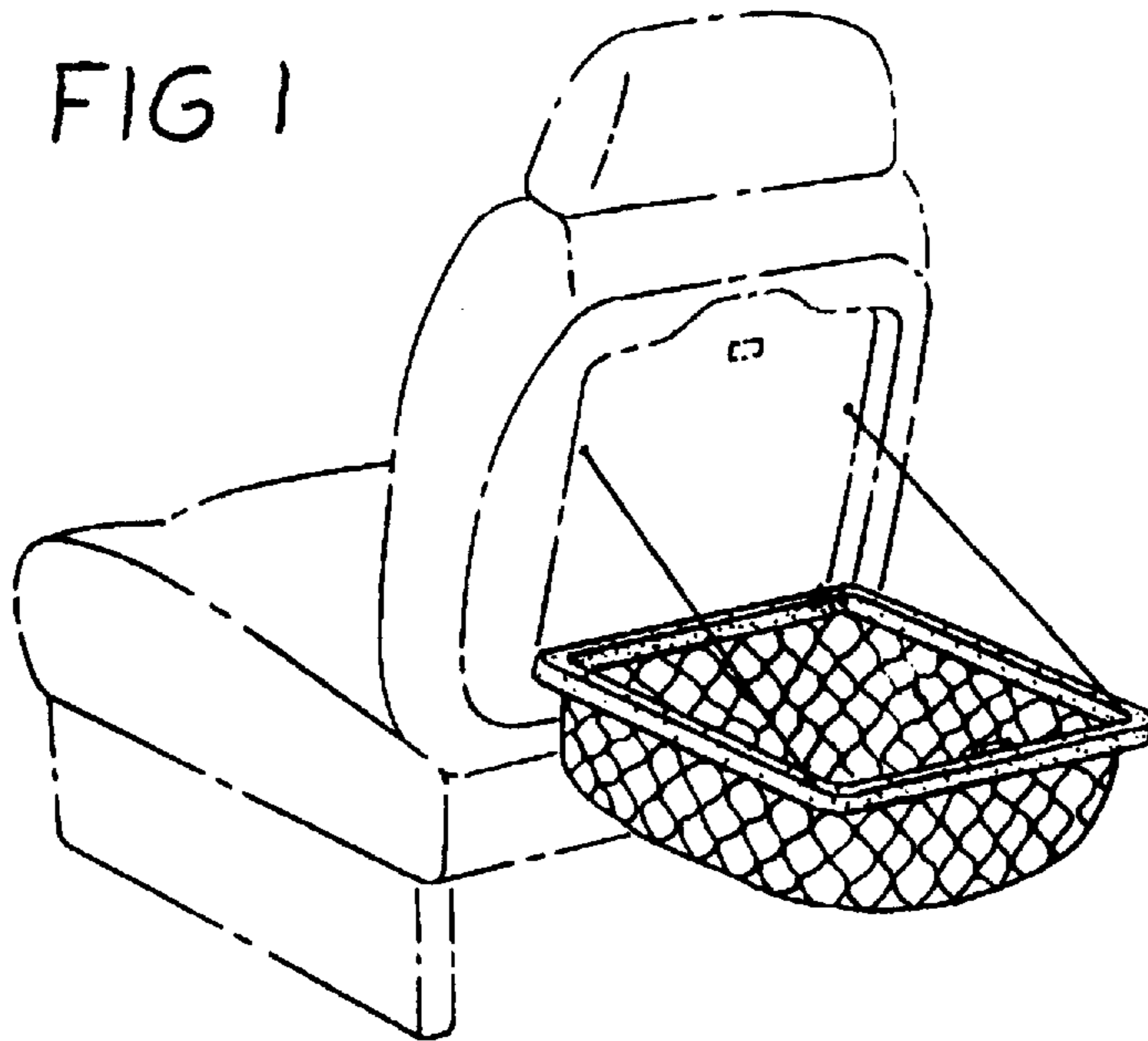


FIG 2

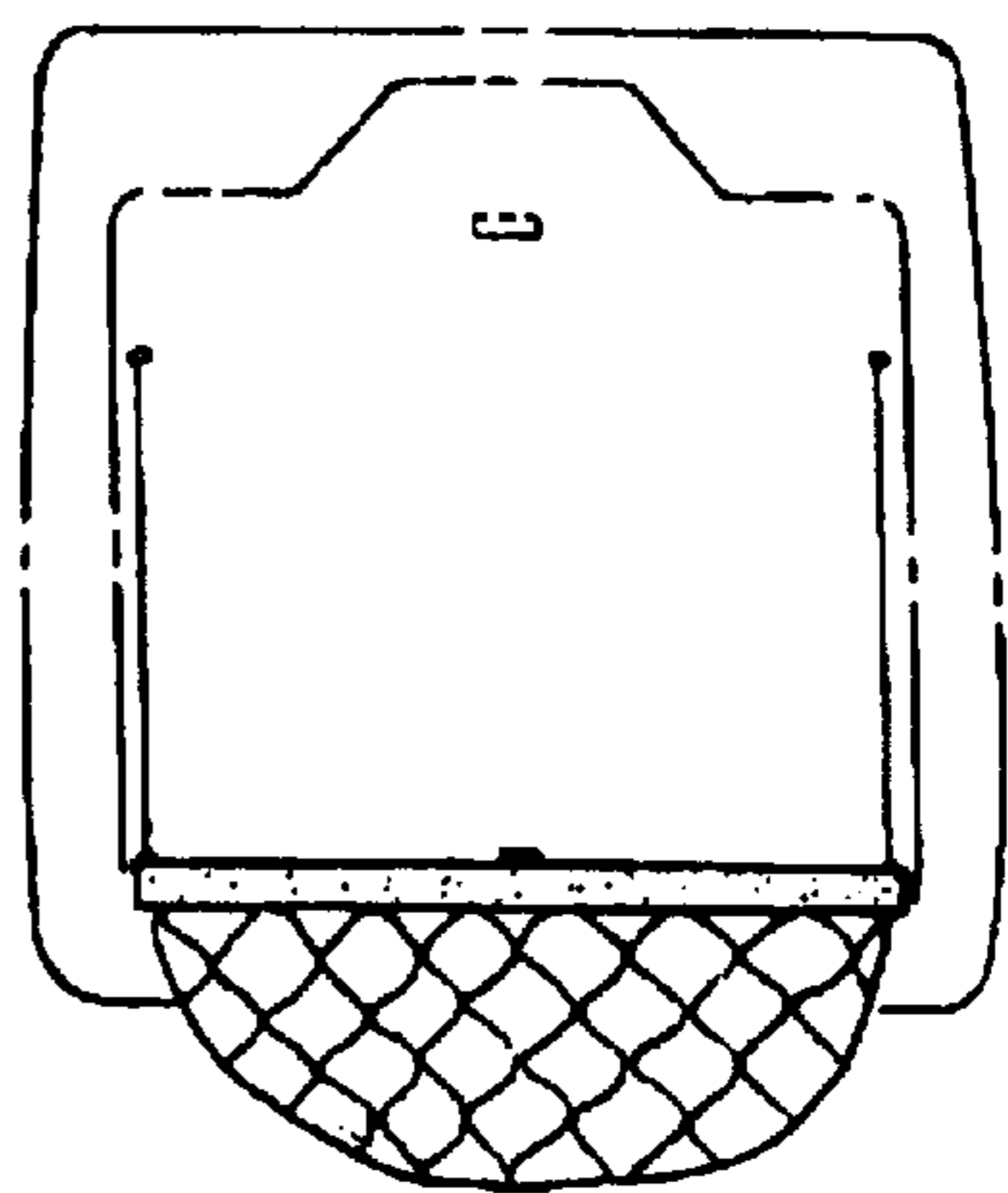


FIG 3

FIG 4

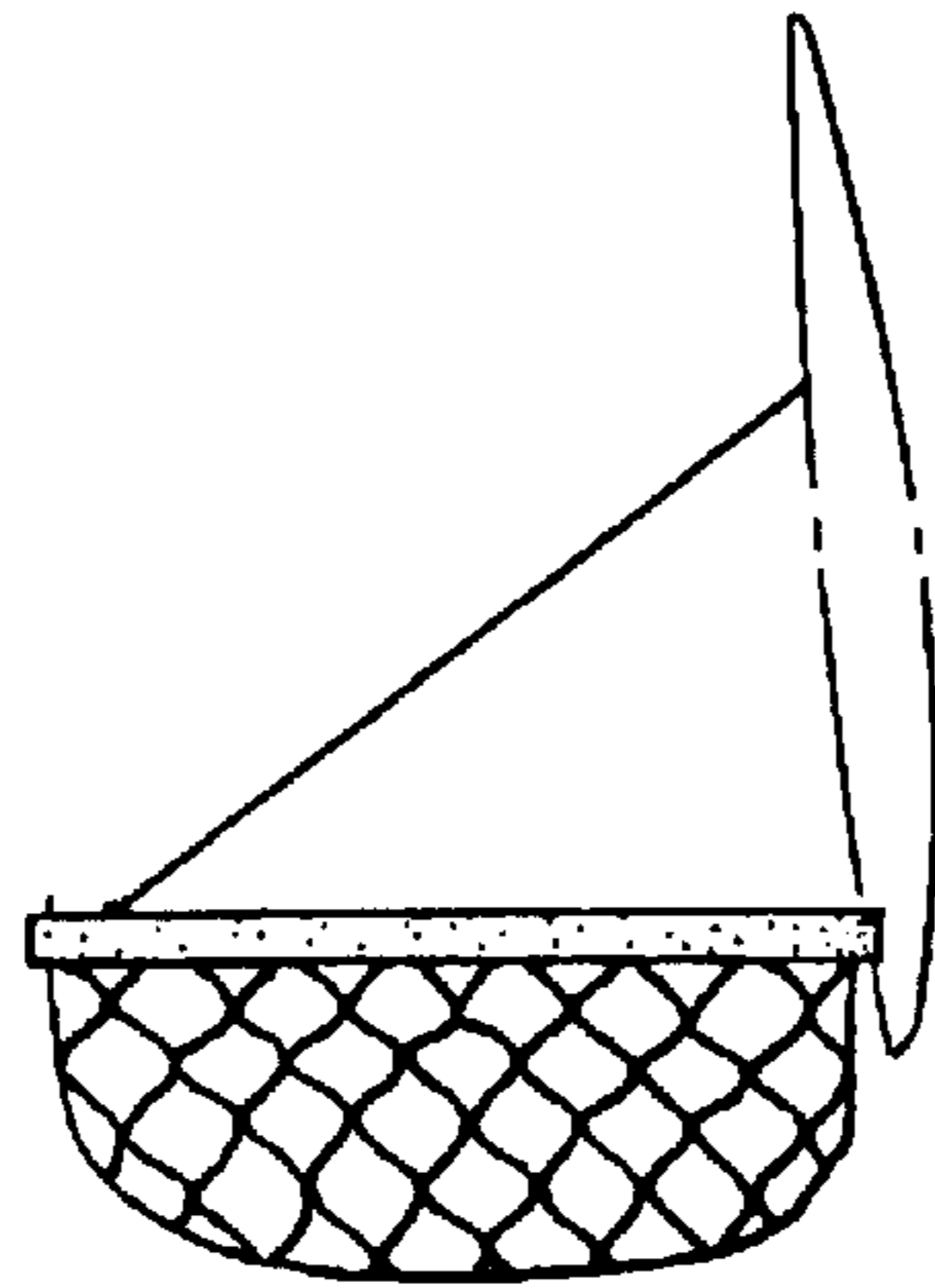
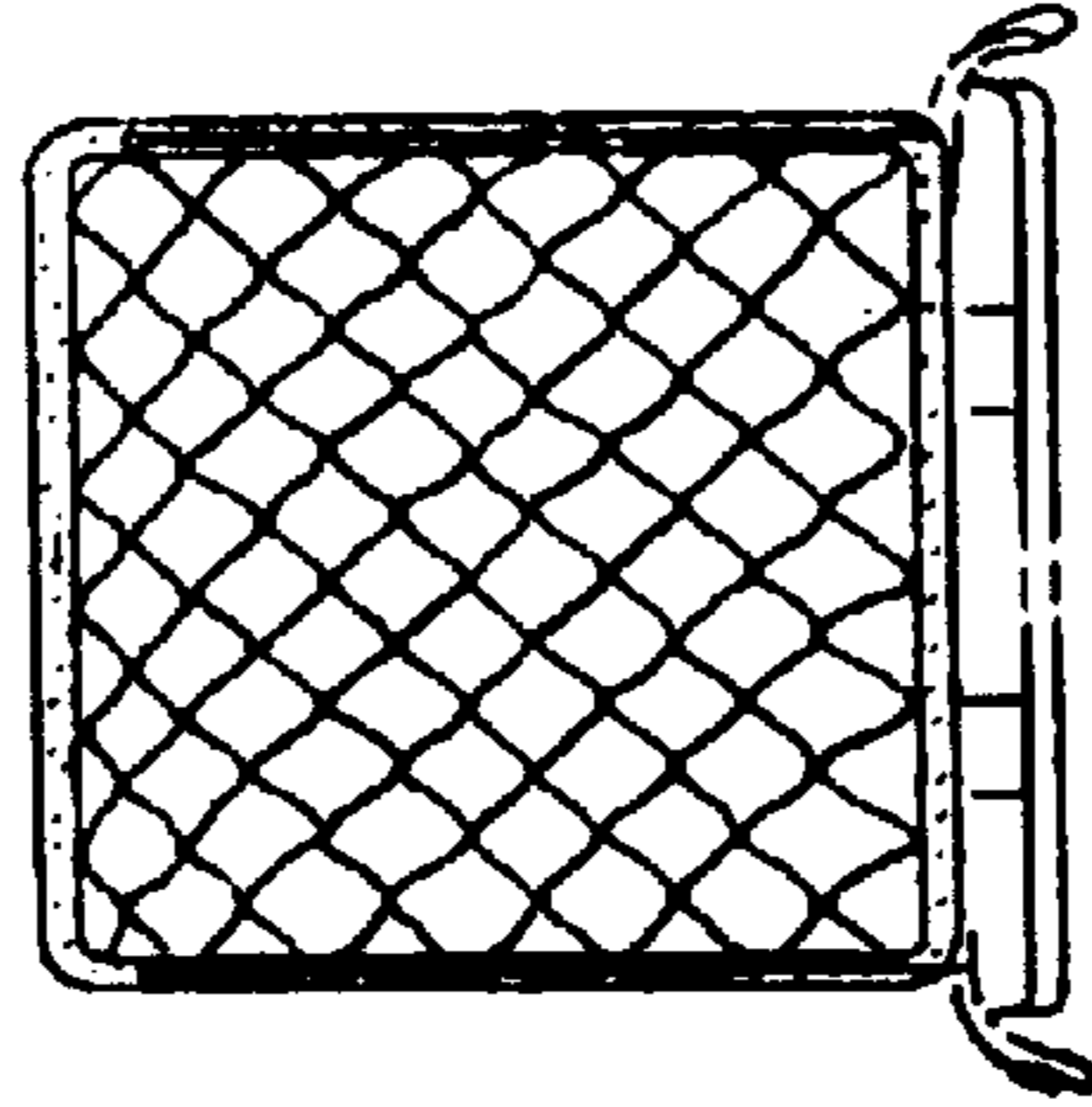


FIG 5

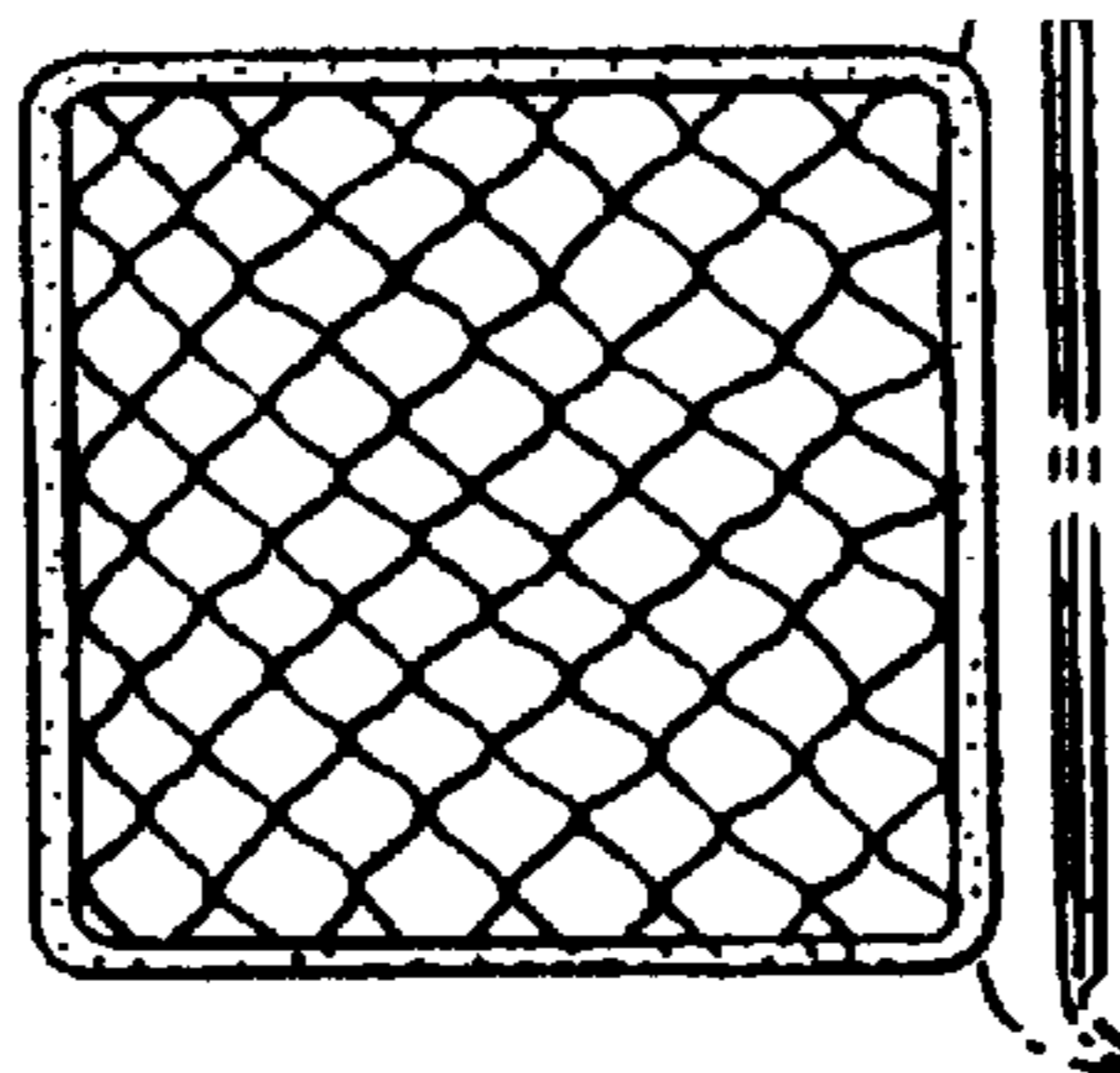


FIG 6