



US00D406095S

# United States Patent [19]

Denny et al.

[11] Patent Number: **Des. 406,095**

[45] Date of Patent: **\*\*Feb. 23, 1999**

[54] **ROOF RACK SUPPORT**

5,377,888 1/1995 Baravalle ..... 224/309

[75] Inventors: **Mark Denny**, Davisburg; **Craig A. Stapleton**, Clarkston, both of Mich.

*Primary Examiner*—Holly Baynham  
*Attorney, Agent, or Firm*—Rader, Fishman & Grauer PLLC

[73] Assignee: **Advanced Accessory Systems LLC**, Sterling Heights, Mich.

[57] **CLAIM**

[\*\*] Term: **14 Years**

We claim, the ornamental design for a roof rack support, as shown and described.

[21] Appl. No.: **70,849**

**DESCRIPTION**

[22] Filed: **May 16, 1997**

[51] **LOC (6) Cl.** ..... **12-16**

[52] **U.S. Cl.** ..... **D12/414**

[58] **Field of Search** ..... D8/354, 349; D12/414; 224/324–326, 309

FIG. 1 is a left side elevational view of the present invention; FIG. 2 is a front elevational view of the present invention; FIG. 3 is a right side elevational view of the present invention; FIG. 4 is a rear elevational view of the present invention; FIG. 5 is a top elevational view of the present invention; FIG. 6 is a bottom elevational view of the present invention; and, FIG. 7 is a front/left side elevational view the present invention.

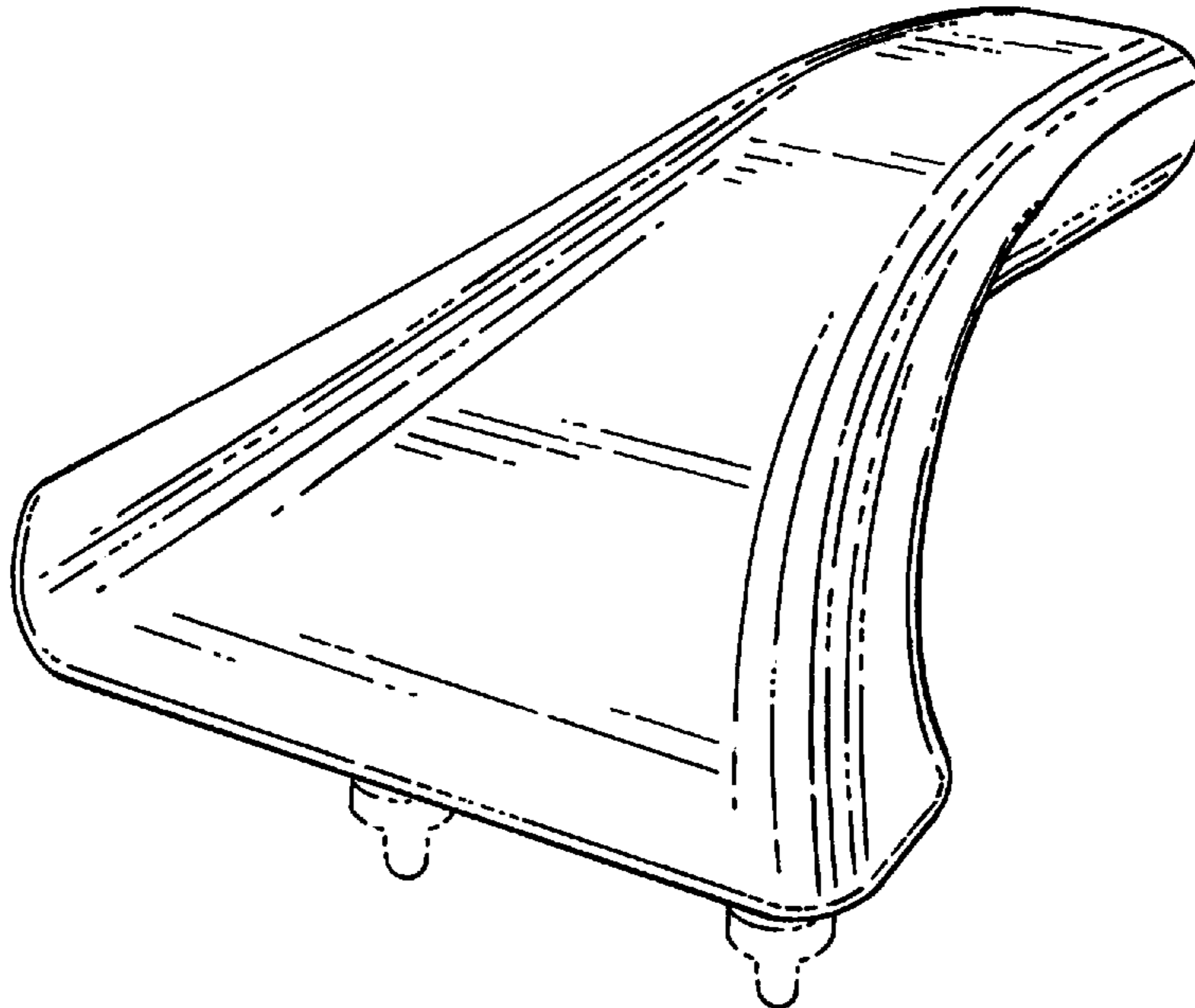
[56] **References Cited**

**U.S. PATENT DOCUMENTS**

D. 294,340	2/1988	Robson	.....	D14/414
D. 317,744	6/1991	Bott	.....	D12/414
4,684,048	8/1987	Bott	.....	224/326
5,004,139	4/1991	Storm et al.	.....	224/309

The broken line showing of connecting structure is for illustrative purposes only and forms no part of the claimed design.

**1 Claim, 2 Drawing Sheets**



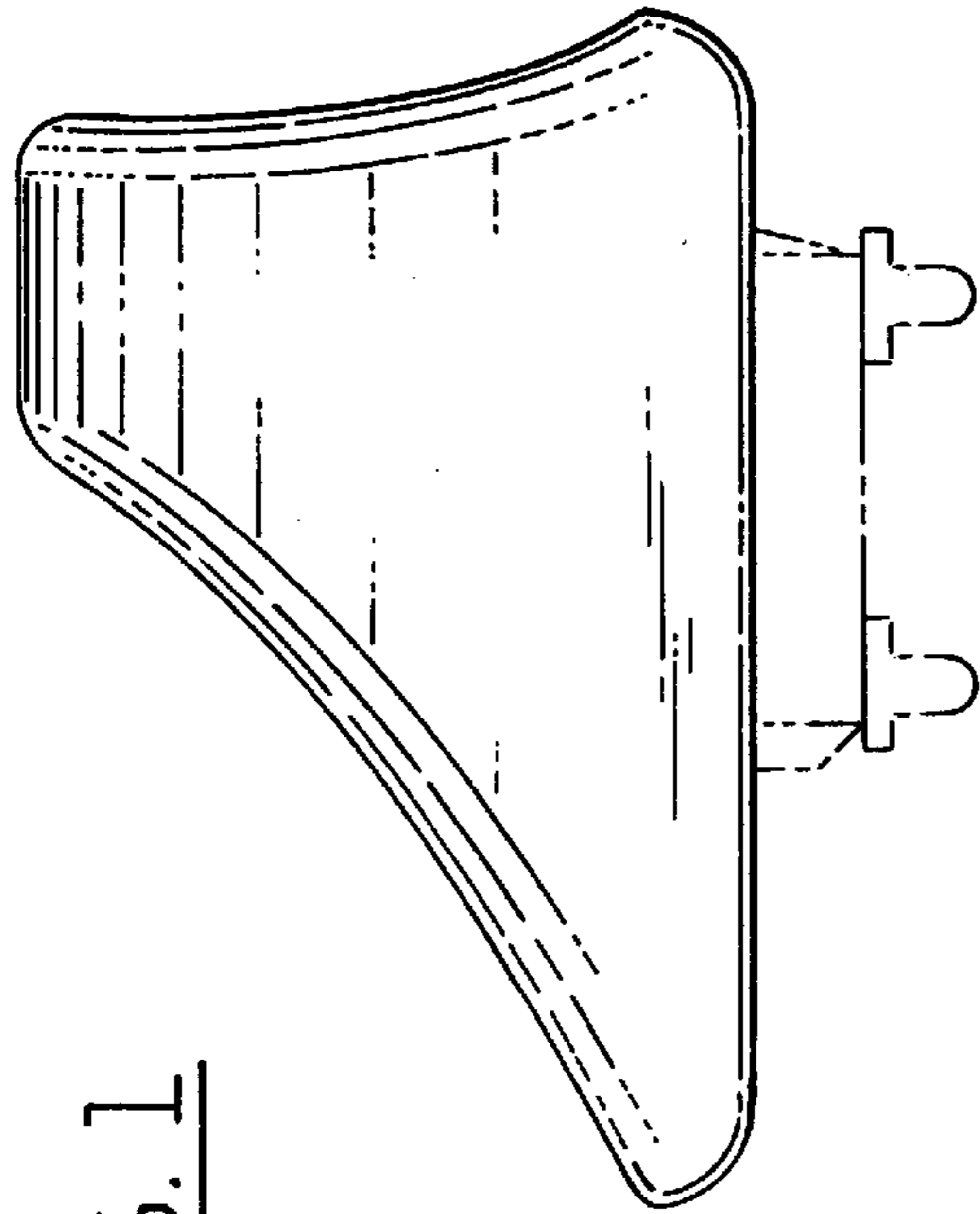


FIG. 1

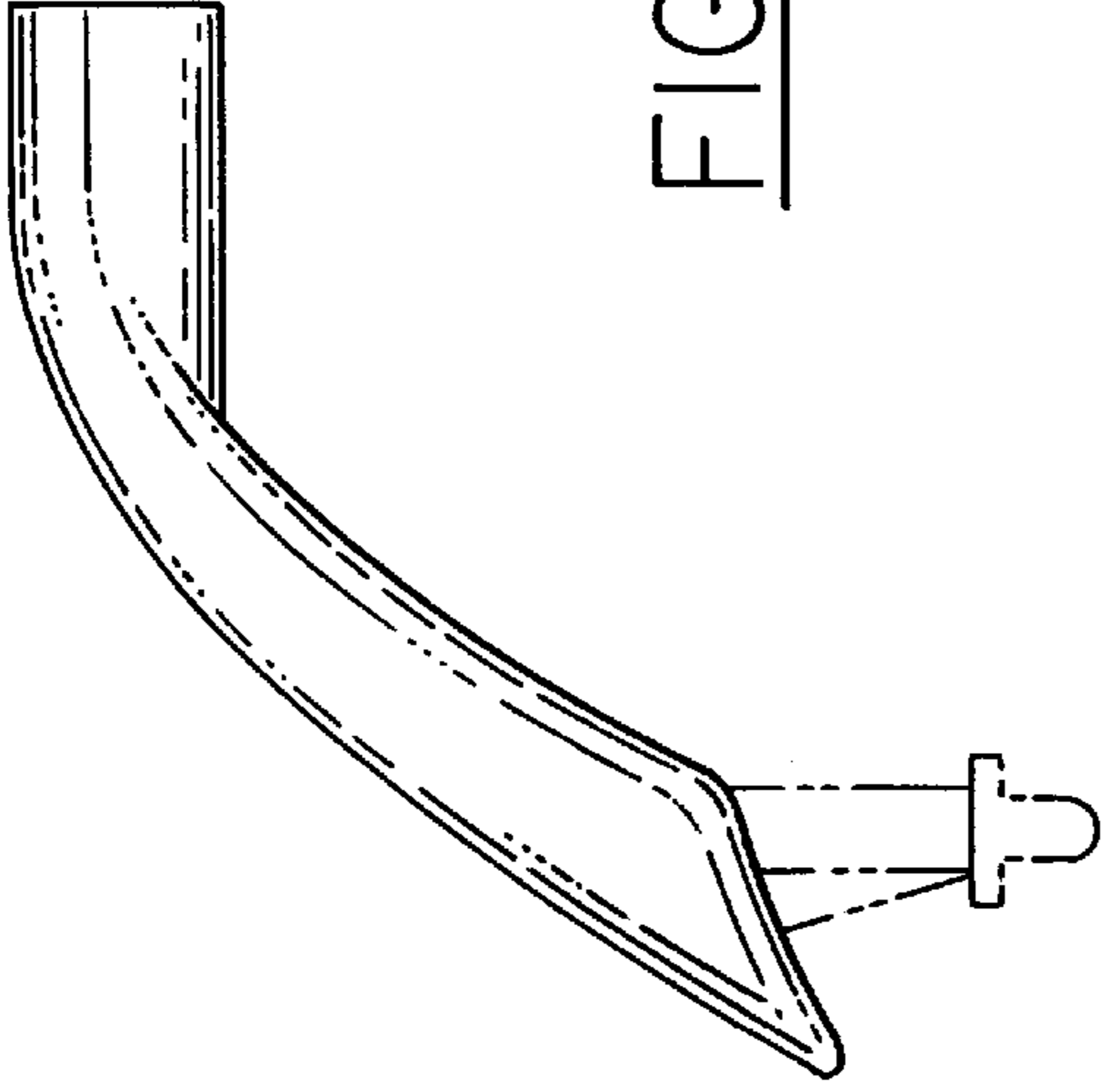


FIG. 2

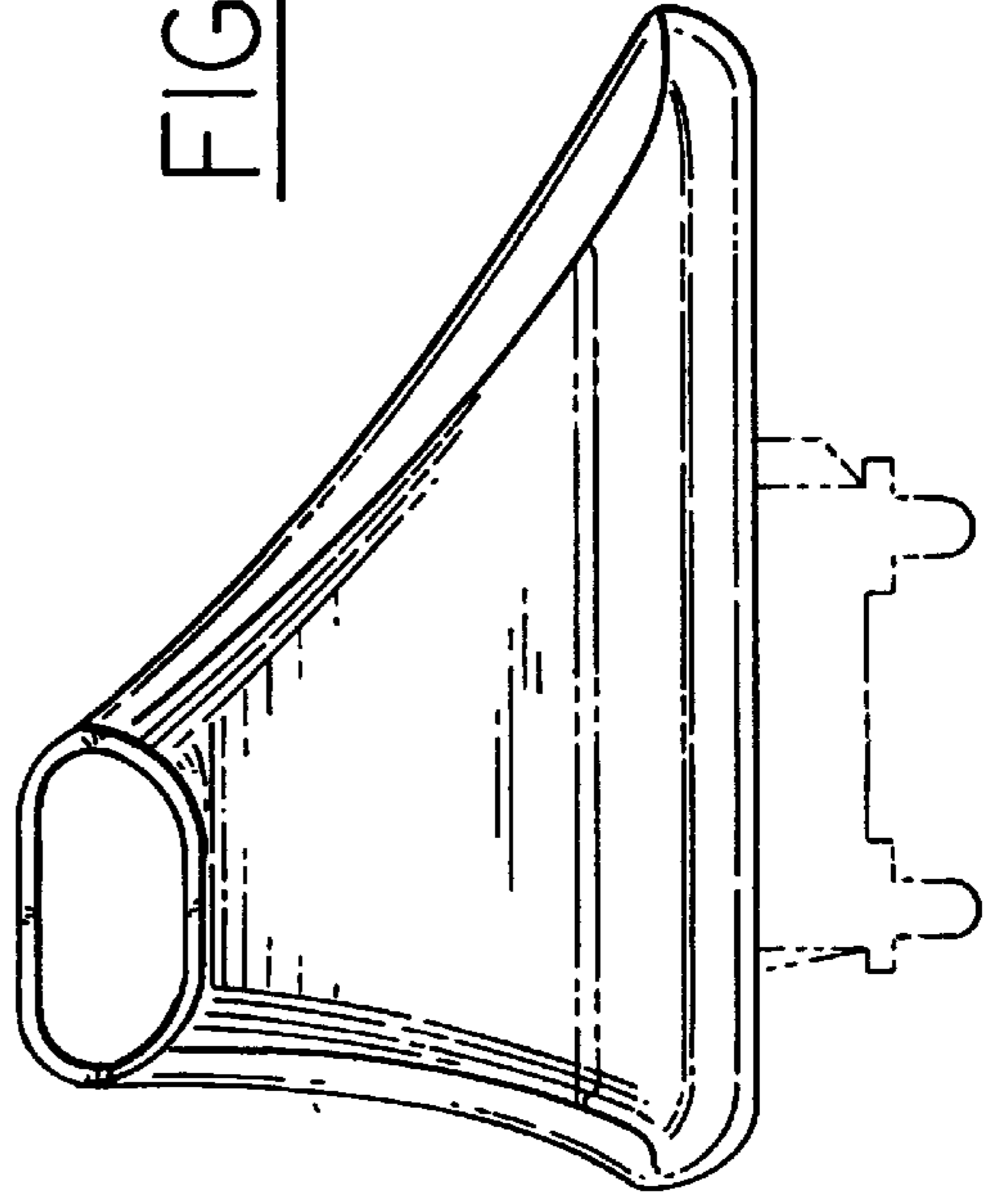


FIG. 3

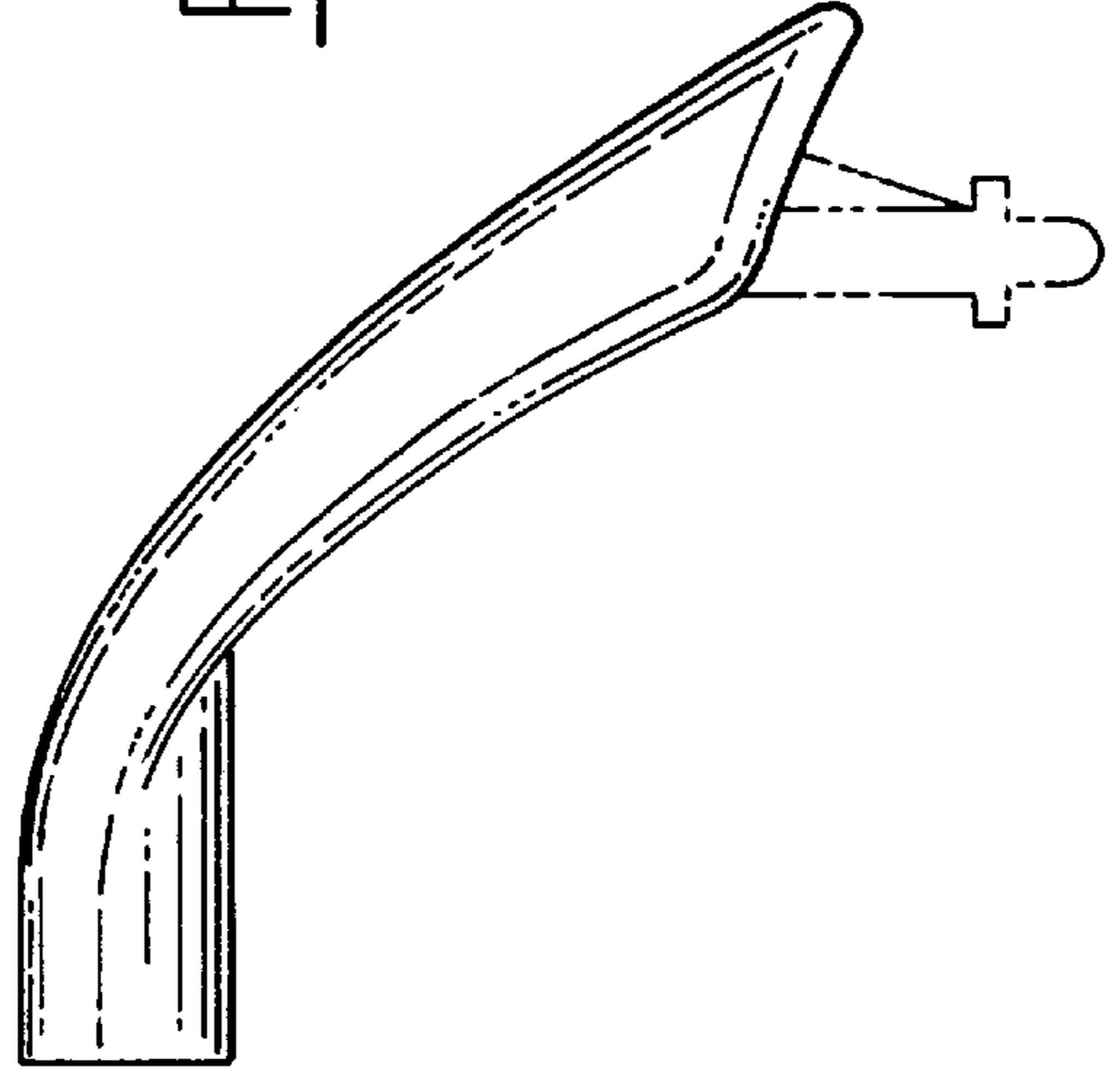


FIG. 4

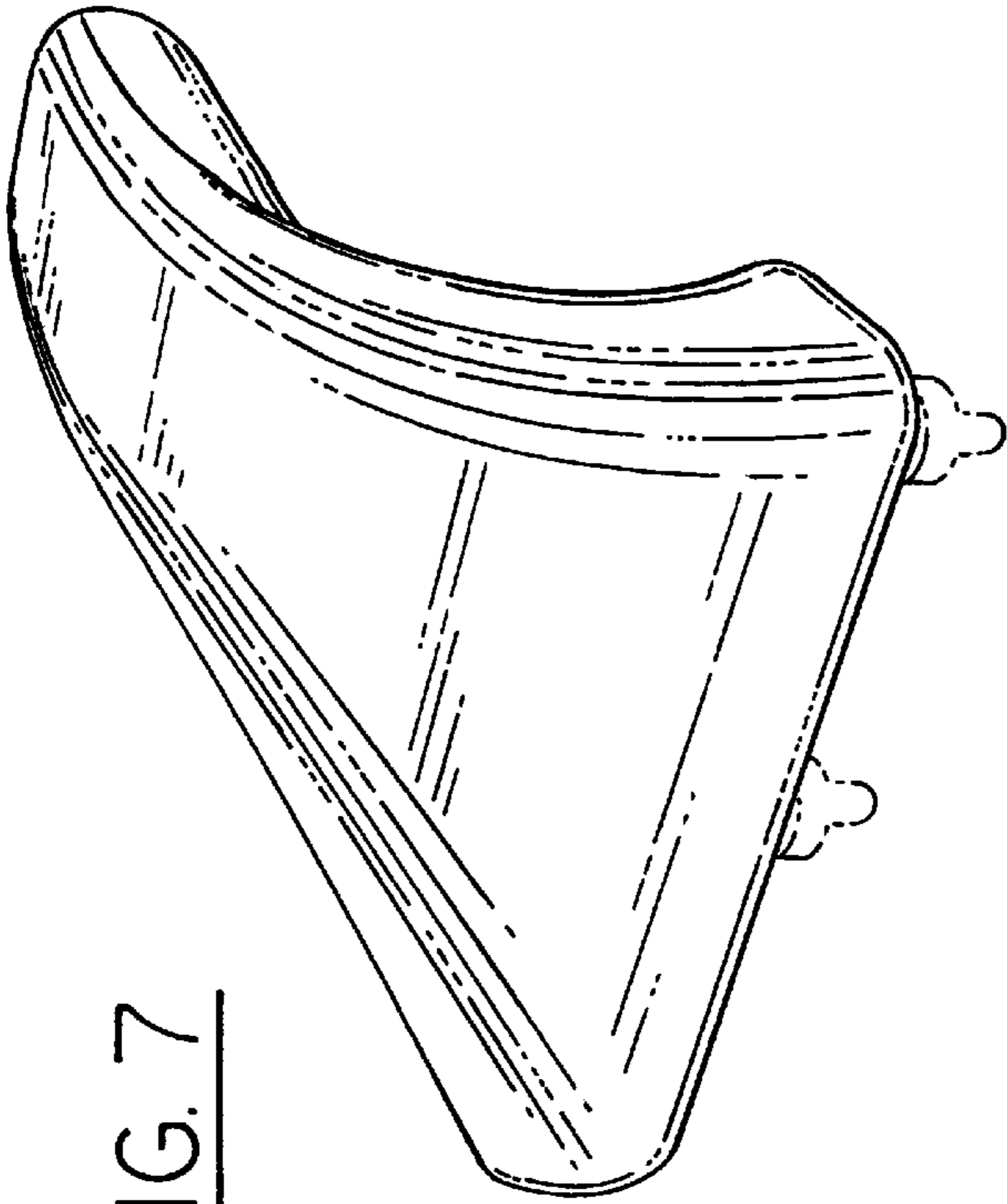


FIG. 7



FIG. 5

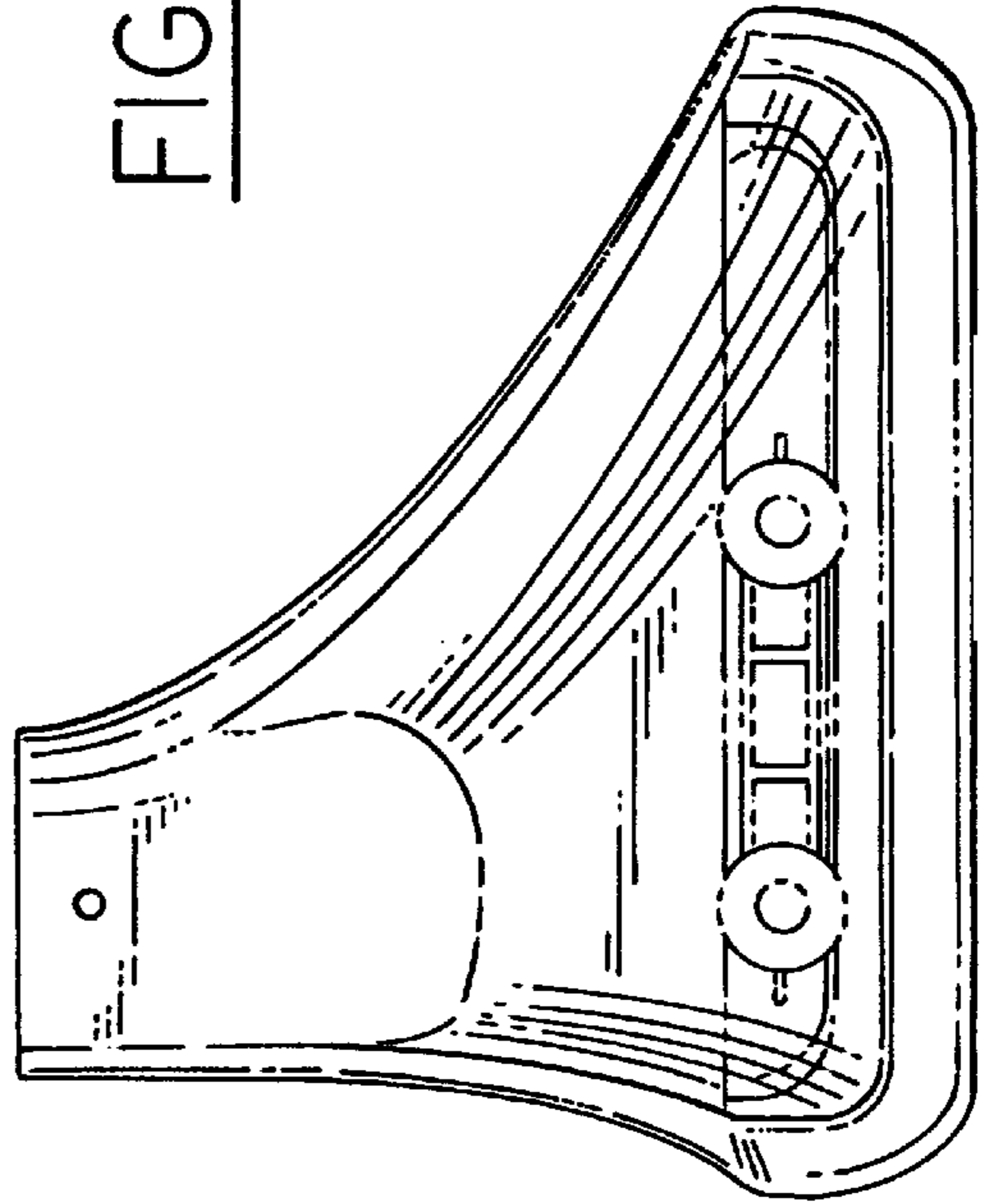


FIG. 6