

US00D406094S

# United States Patent [19] Lai

[11] **Patent Number: Des. 406,094**

[45] **Date of Patent: \*\*Feb. 23, 1999**

[54] **WIPER BLADE**

[76] Inventor: **Wen Cayan Lai**, 5, 4 Alley., 121 Lane, lung hslao st., kuei shan village, Taiwan

[\*\*] Term: **14 Years**

[21] Appl. No.: **75,217**

[22] Filed: **Aug. 21, 1997**

[51] **LOC (6) Cl. .... 12-06**

[52] **U.S. Cl. .... D12/220**

[58] **Field of Search** ..... D12/219, 220; 15/250.05-250.07, 250.31-250.33, 250.351, 250.361, 250.38, 250.4-250.41; D32/40-42

[56] **References Cited**

**U.S. PATENT DOCUMENTS**

D. 213,100	1/1969	Rickett	.....	D12/220
D. 298,926	12/1988	Rusnak	.....	D12/220
D. 349,877	8/1994	Oyama	.....	D12/220
D. 353,354	12/1994	Oyama	.....	D12/220
D. 356,287	3/1995	Kinder	.....	D12/220

3,948,811	4/1976	Clary et al.	.....	15/250.41
4,192,038	3/1980	Klein et al.	.....	15/250.06
5,392,488	2/1995	Li	.....	15/250.41

*Primary Examiner*—Jeffrey Asch  
*Assistant Examiner*—Stacia Sinuik  
*Attorney, Agent, or Firm*—Jacobson, Price, Holman & Stern, PLLC

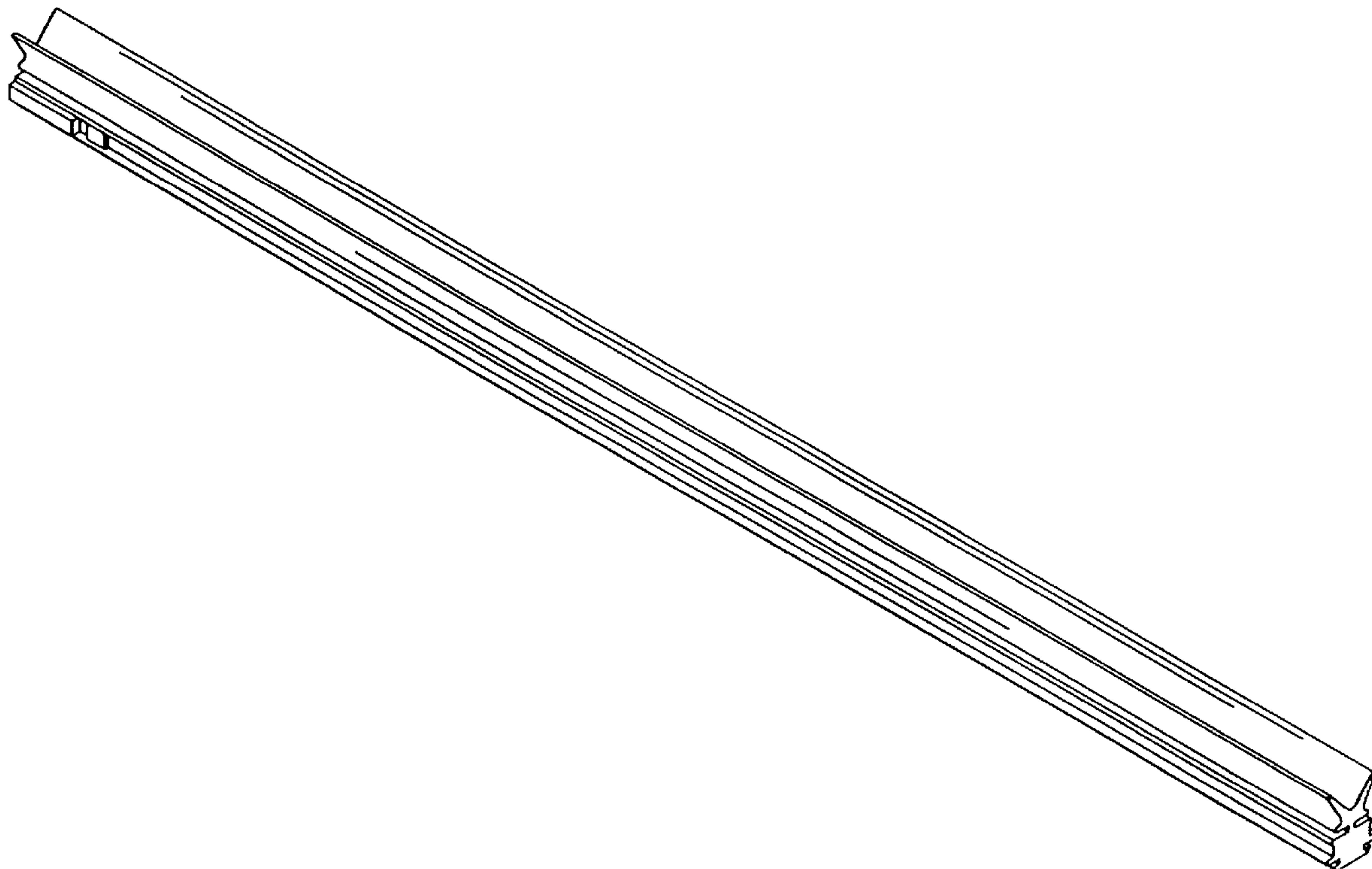
[57] **CLAIM**

The ornamental design for a wiper blade, as shown and described.

**DESCRIPTION**

FIG. 1 is a perspective view of a wiper blade, showing my new design;  
FIG. 2 is a front view thereof;  
FIG. 3 is a rear view thereof;  
FIG. 4 is a reduced left side view thereof;  
FIG. 5 is a reduced right side view thereof;  
FIG. 6 is a reduced top view thereof; and,  
FIG. 7 is a reduced bottom view thereof.

**1 Claim, 2 Drawing Sheets**



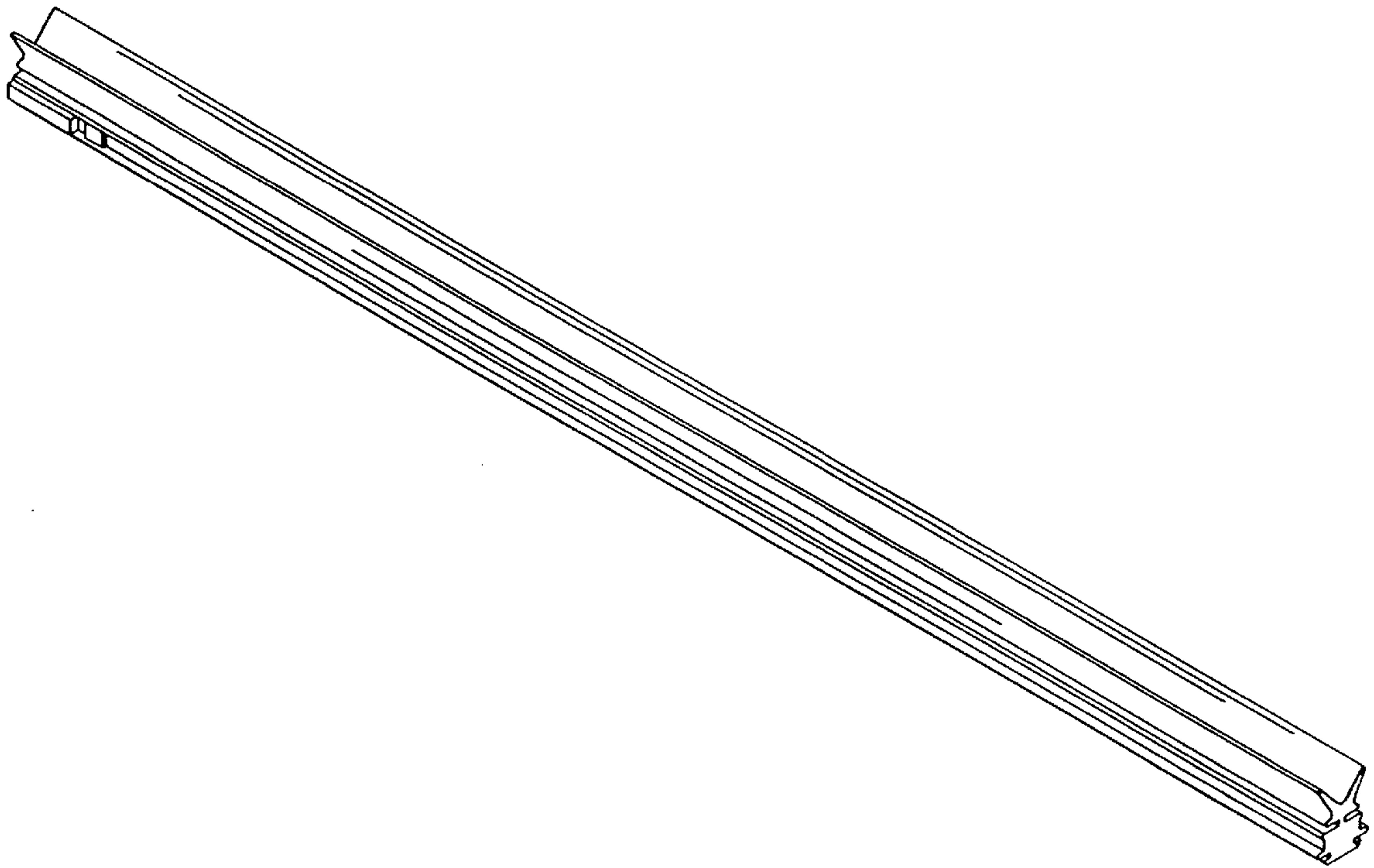


Fig 1



Fig 2



Fig 3

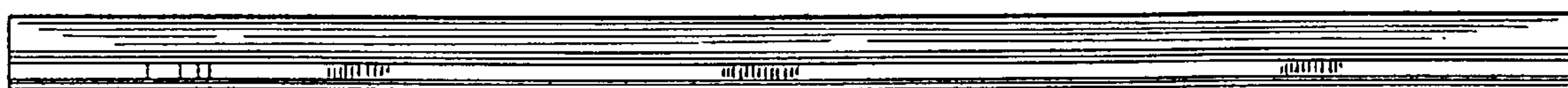


Fig 4

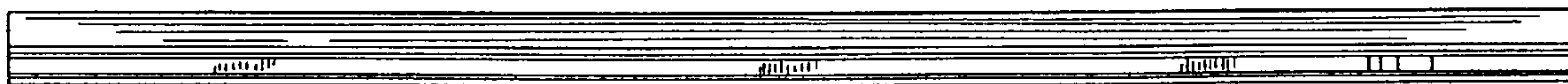


Fig 5

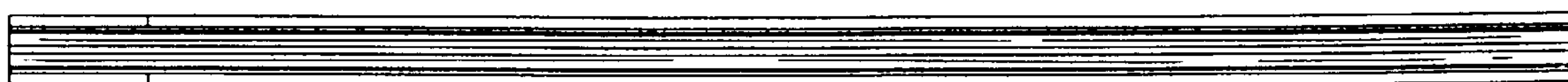


Fig 6

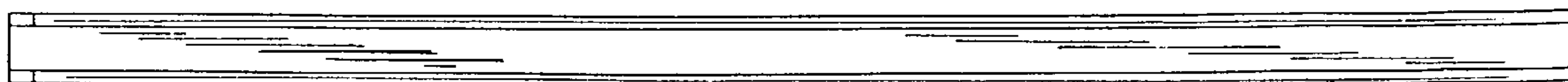


Fig 7