



US00D406091S

# United States Patent [19]

Nishida

[11] Patent Number: **Des. 406,091**

[45] Date of Patent: **\*\*Feb. 23, 1999**

[54] **WHEEL FOR AUTOMOBILE**

[75] Inventor: **Nobuo Nishida**, Osaka, Japan

[73] Assignee: **Kabushiki Kaisha Crimson**, Nara, Japan

[\*\*] Term: **14 Years**

[21] Appl. No.: **74,347**

[22] Filed: **Jul. 29, 1997**

[51] **LOC (6) Cl.** ..... **12-16**

[52] **U.S. Cl.** ..... **D12/209**

[58] **Field of Search** ..... D12/204-213;  
301/64.1, 65, 37.1

[56] **References Cited**

**U.S. PATENT DOCUMENTS**

Re. 16,287	2/1926	Baker	.....	D12/209
D. 49,521	8/1916	Kunst	.....	D12/209
D. 219,966	2/1971	Halibrand	.....	D12/211
D. 276,717	12/1984	Ogishima et al.	.....	D12/211
D. 279,093	6/1985	Reid	.....	D12/211
D. 292,693	11/1987	Cattaneo	.....	D12/211
D. 300,422	3/1989	Schinella	.....	D12/209
D. 300,818	4/1989	Reid	.....	D12/211
D. 337,562	7/1993	Hareide	.....	D12/209
D. 352,021	11/1994	Powers	.....	D12/209
D. 364,843	12/1995	Hale, Jr.	.....	D12/209
D. 364,844	12/1995	Chien	.....	D12/209
D. 368,883	4/1996	Rhor	.....	D12/209
D. 372,696	8/1996	Tung	.....	D12/209
D. 372,697	8/1996	Echazabal et al.	.....	D12/209
D. 378,506	3/1997	Stolz et al.	.....	D12/209

D. 384,931	10/1997	Neeper	.....	D12/209
D. 385,838	11/1997	Cullen	.....	D12/209
D. 385,840	11/1997	Cullen	.....	D12/209
D. 385,843	11/1997	Cullen	.....	D12/209
D. 387,319	12/1997	Timm et al.	.....	D12/209

**OTHER PUBLICATIONS**

Boyd's Custom Wheel Catalog, See "Impeller", Examiner's Office (Aug. 30, 1996).  
Custom Wheel & Tire Style Guide, p. 39, See "Virage", Examiner's Office (1994).  
Ultra Custom Wheels Brochure, See "Type 43", Examiner's Office. 1995.

*Primary Examiner*—James Gandy  
*Assistant Examiner*—Stacia Sinuik  
*Attorney, Agent, or Firm*—Wenderoth, Lind & Ponack, L.L.P.

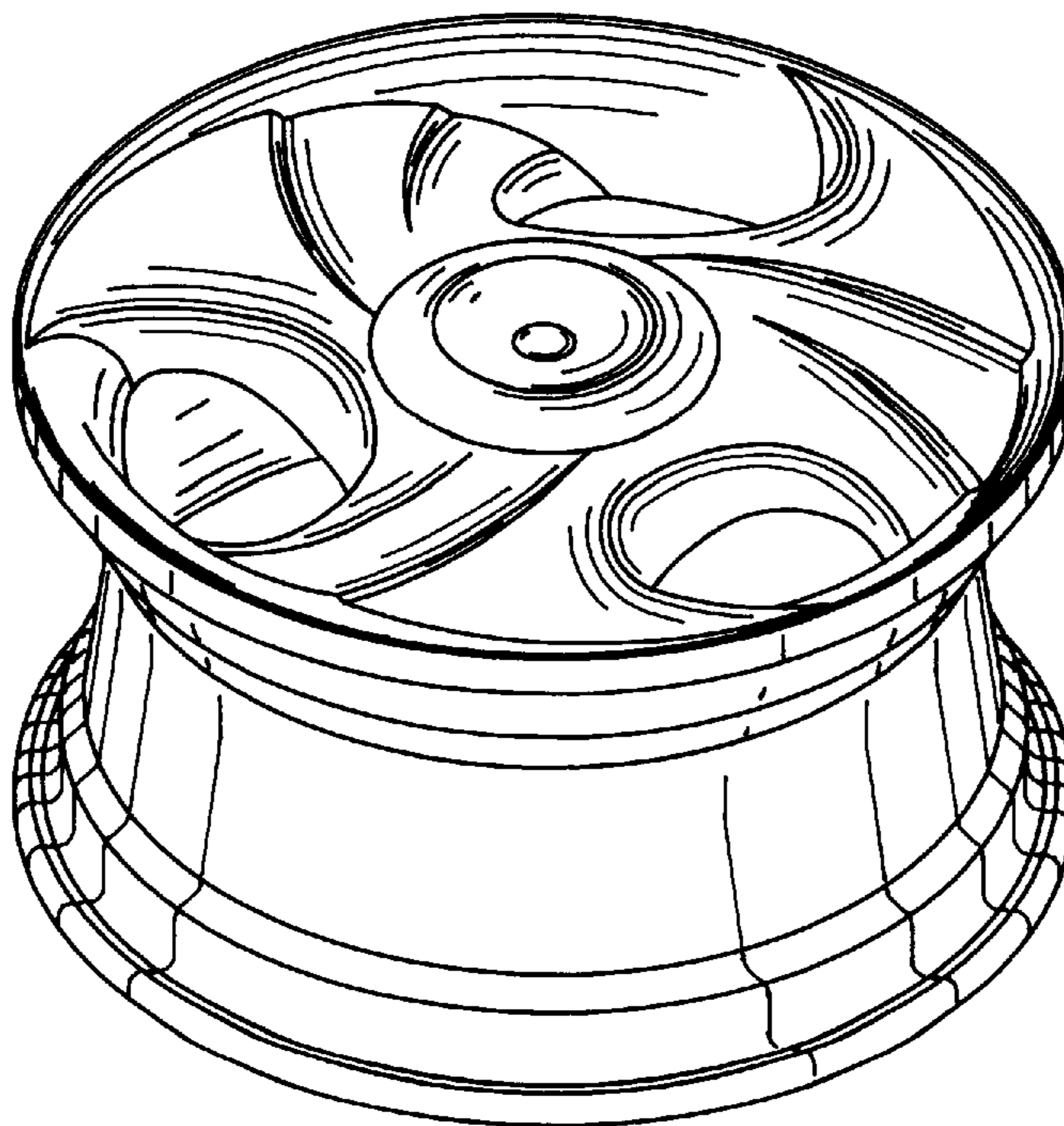
[57] **CLAIM**

The ornamental design for a wheel for automobile, as shown and described.

**DESCRIPTION**

FIG. 1 is a perspective view of a wheel for automobile according to the design of the present invention, looking at the wheel from the front, top and right thereof;  
FIG. 2 is a front view of the wheel of FIG. 1;  
FIG. 3 is a top view of the wheel of FIG. 1;  
FIG. 4 is a bottom view of the wheel of FIG. 1;  
FIG. 5 is a right side view of the wheel of FIG. 1; and,  
FIG. 6 is a left side view of the wheel of FIG. 1.

**1 Claim, 3 Drawing Sheets**



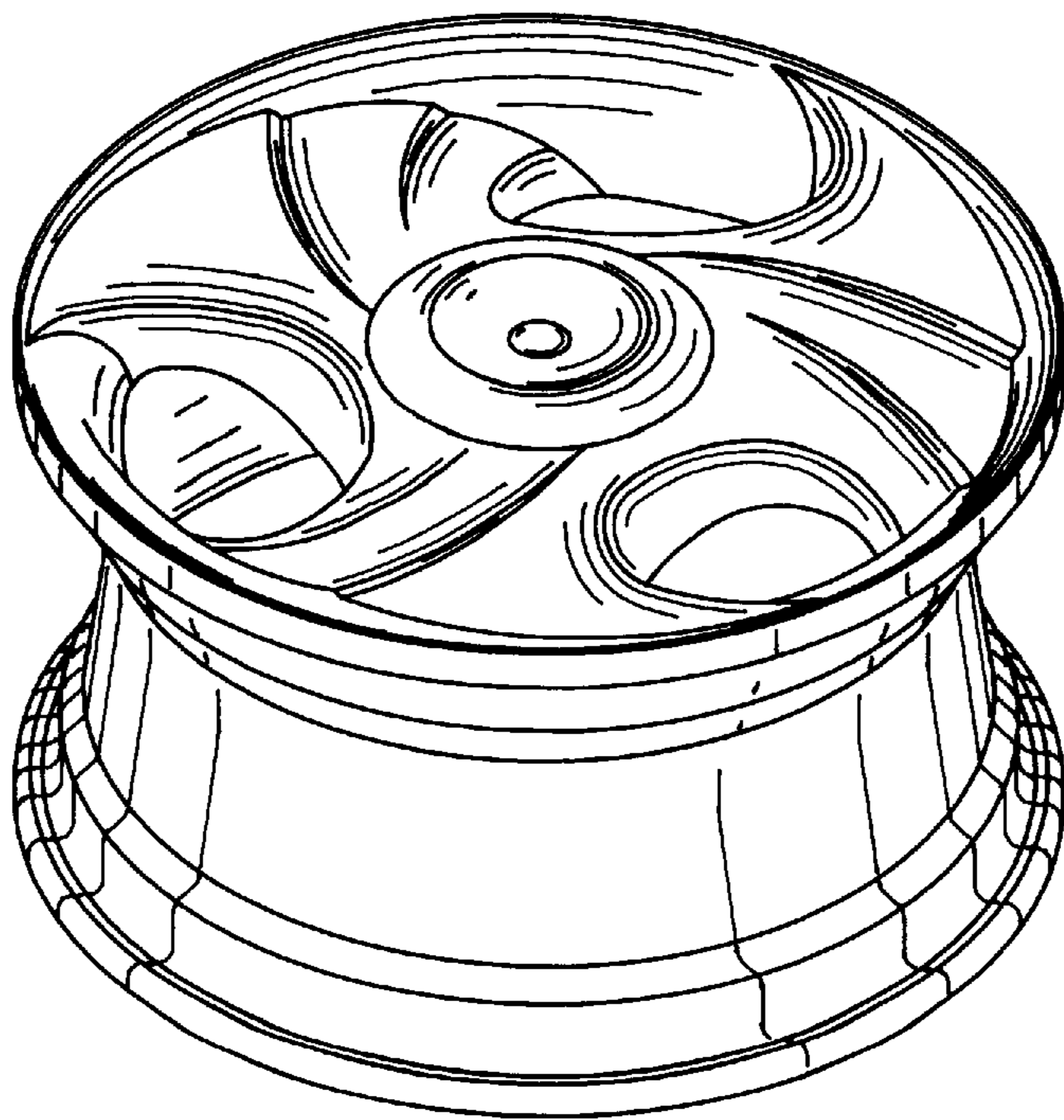


FIG. 1

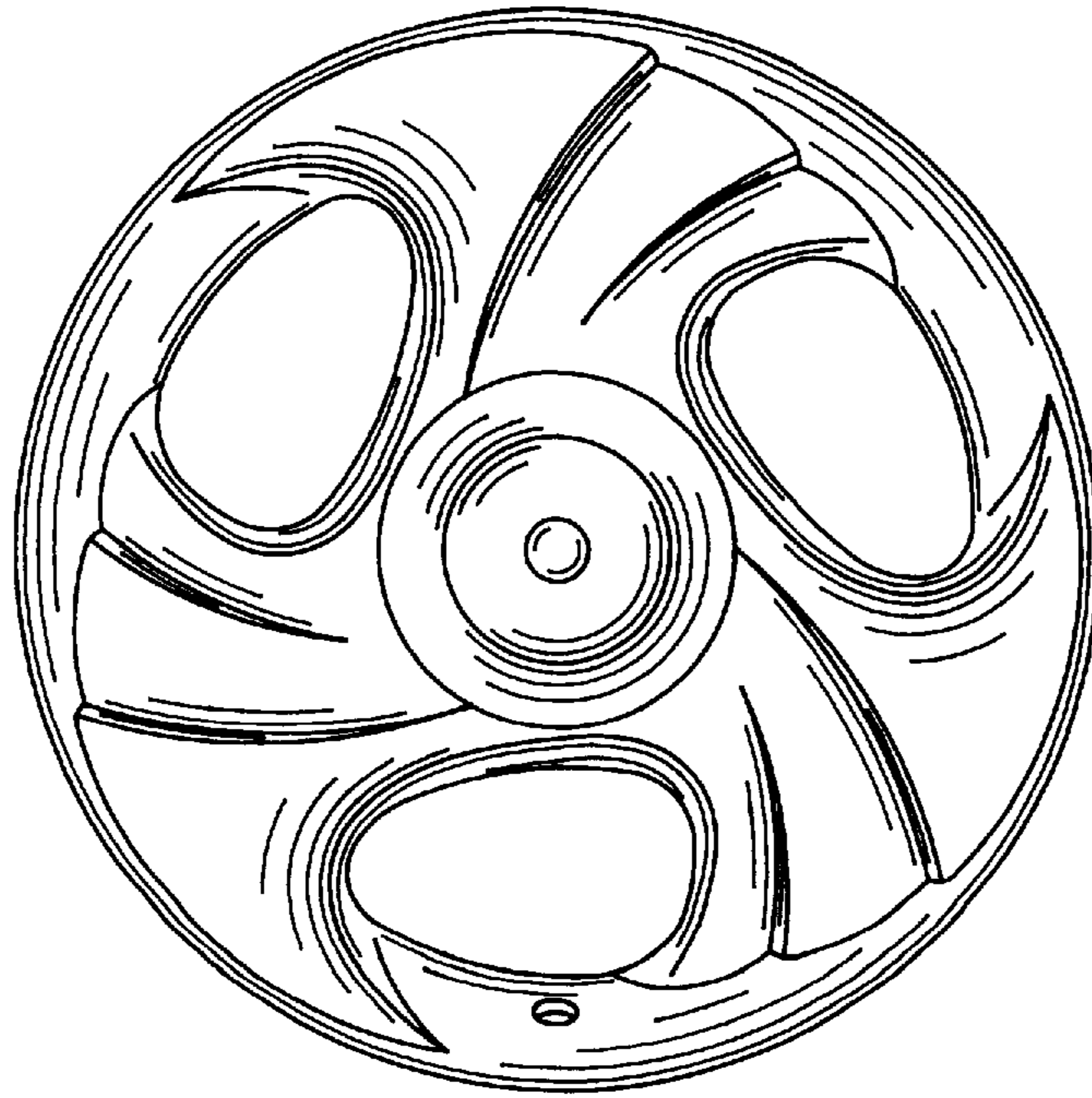


FIG. 2

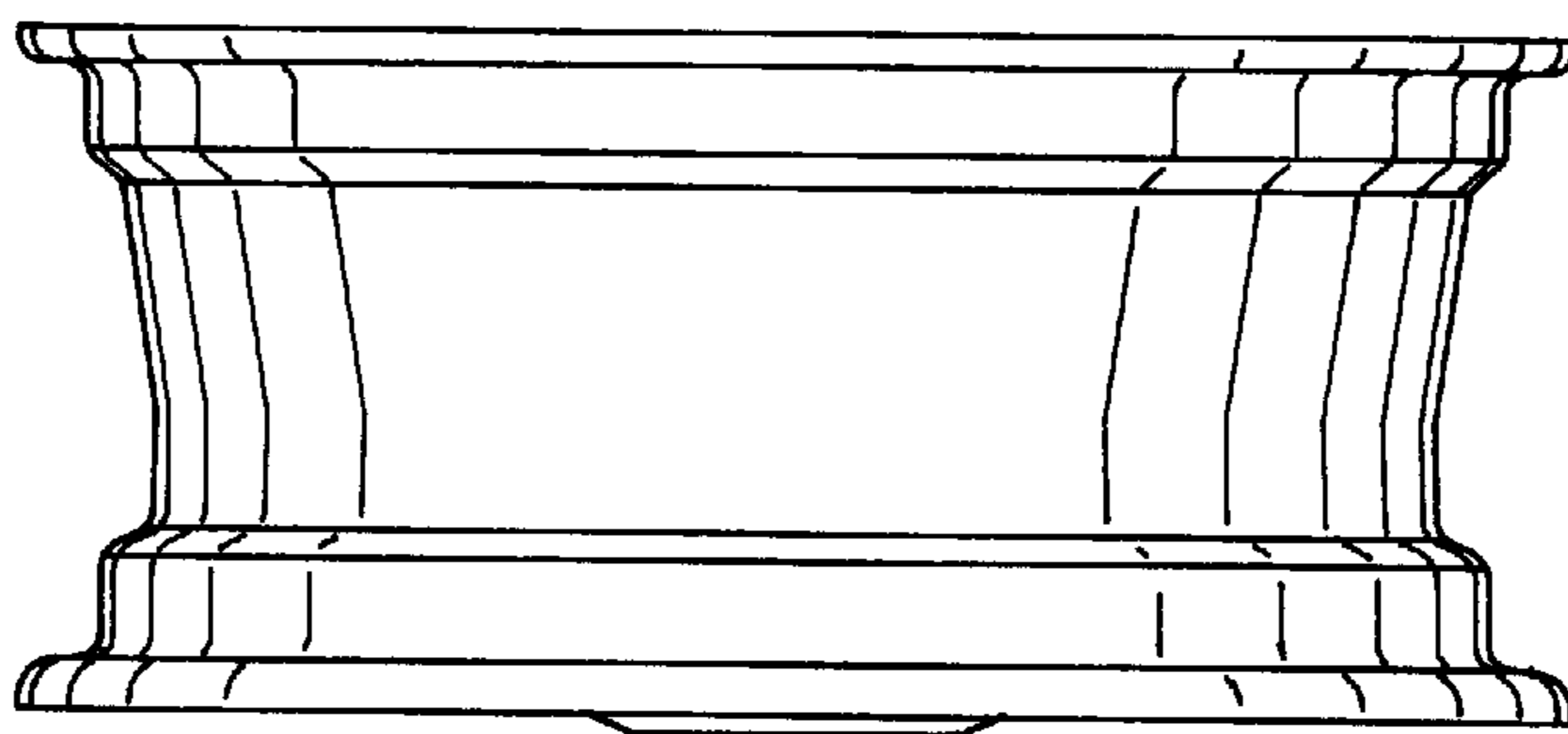


FIG. 3

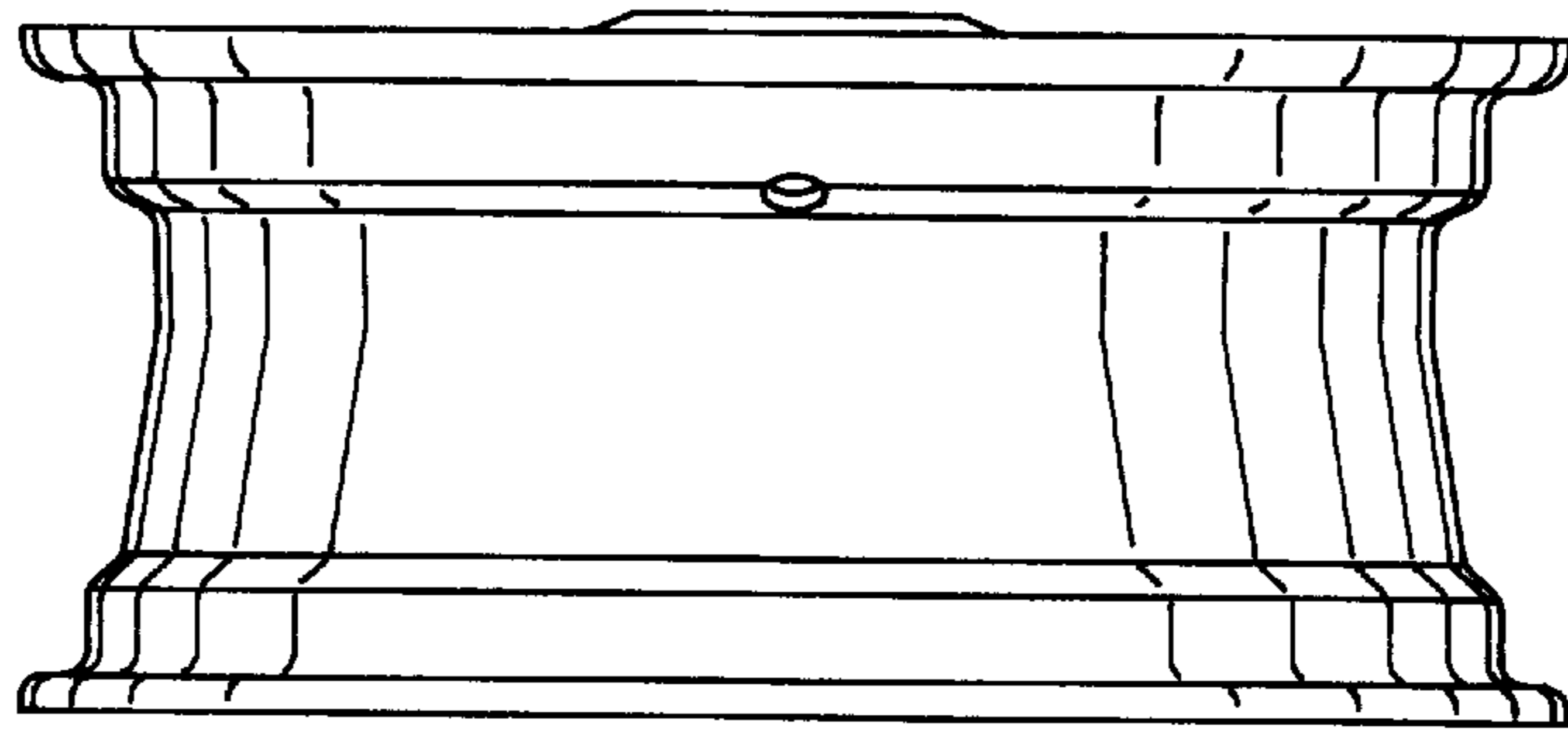


FIG. 4

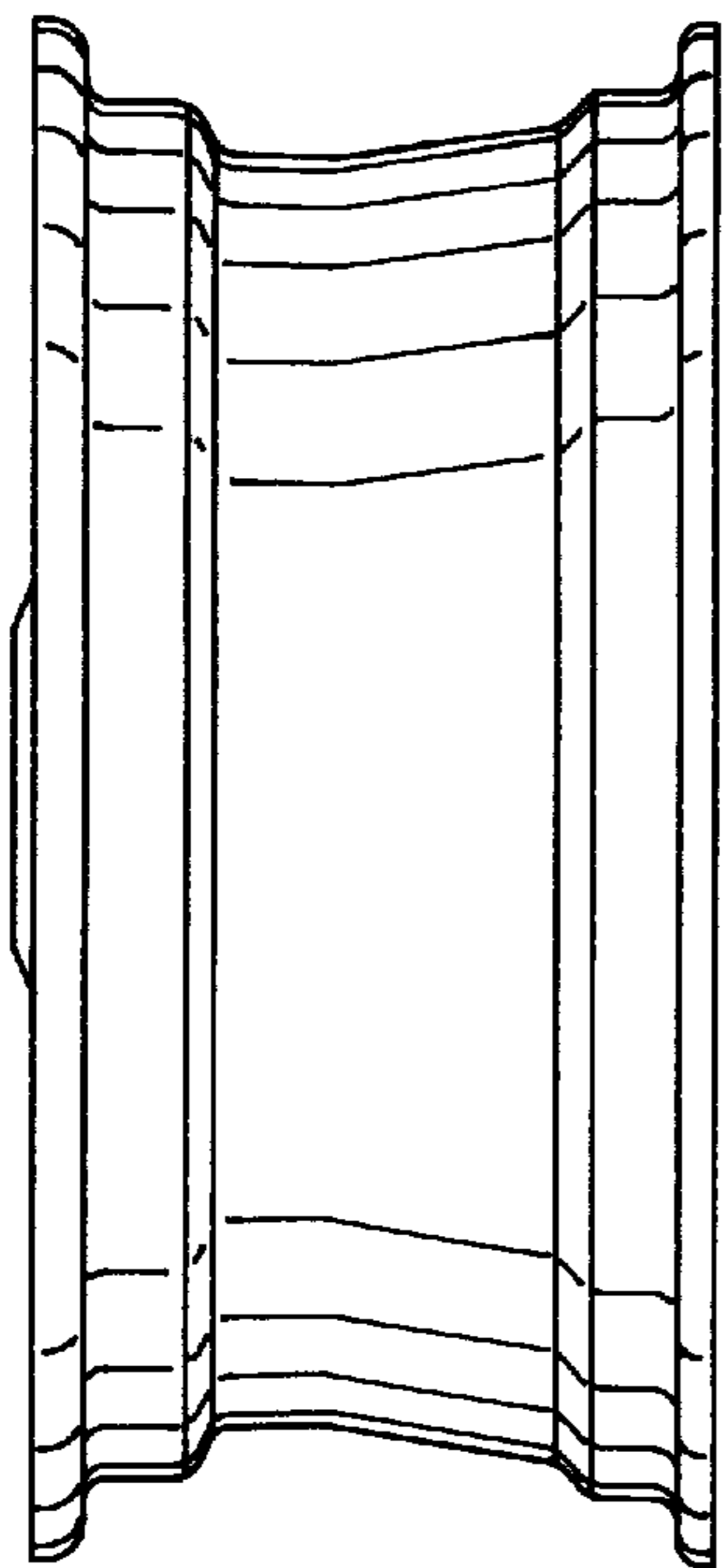


FIG. 5

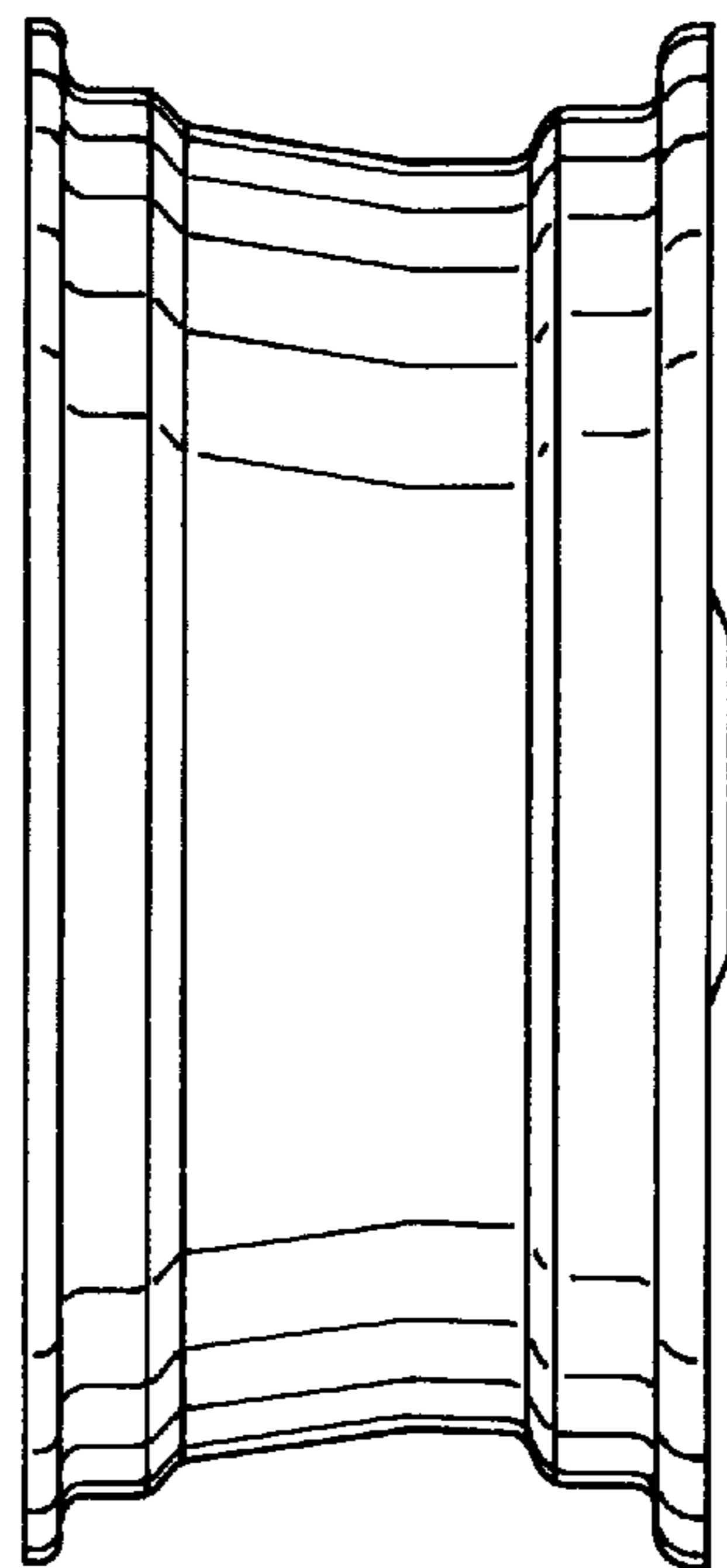


FIG. 6