



US00D406088S

United States Patent [19]

Hanlon et al.

[11] **Patent Number: Des. 406,088**

[45] **Date of Patent: **Feb. 23, 1999**

[54] **MOTORCYCLE MIRROR**

5,025,543 6/1991 Byers et al. 29/401.1

[75] Inventors: **Daniel L. Hanlon**, Burnsville; **David P. Hanlon**; **Jennie L. Hanlon**, both of Apple Valley; **Anthony N. Pink**, Prior Lake, all of Minn.

OTHER PUBLICATIONS

J. C. Whitney & Co. Sale book No. 51C—p. 94 Item lower center of page, 1982.
Harley Davidson 1994 catalog—Mirror center of p. 101, 1994.

[73] Assignee: **Excelsior-Henderson Motorcycle Manufacturing Company**, Belle Plaine, Minn.

Primary Examiner—Ralf Seifert
Attorney, Agent, or Firm—Schwegman, Lundberg, Woessner & Kluth P.A.

[**] Term: **14 Years**

[57] CLAIM

[21] Appl. No.: **91,335**

The ornamental design for a motorcycle mirror, as shown and described.

[22] Filed: **Jul. 28, 1998**

DESCRIPTION

[51] **LOC (6) Cl.** **12-16**

[52] **U.S. Cl.** **D12/187**

[58] **Field of Search** D11/187-189;
359/838, 842, 844, 871, 868, 872; 248/475.1,
477, 160, 480, 481, 549; D12/187; 29/401.1

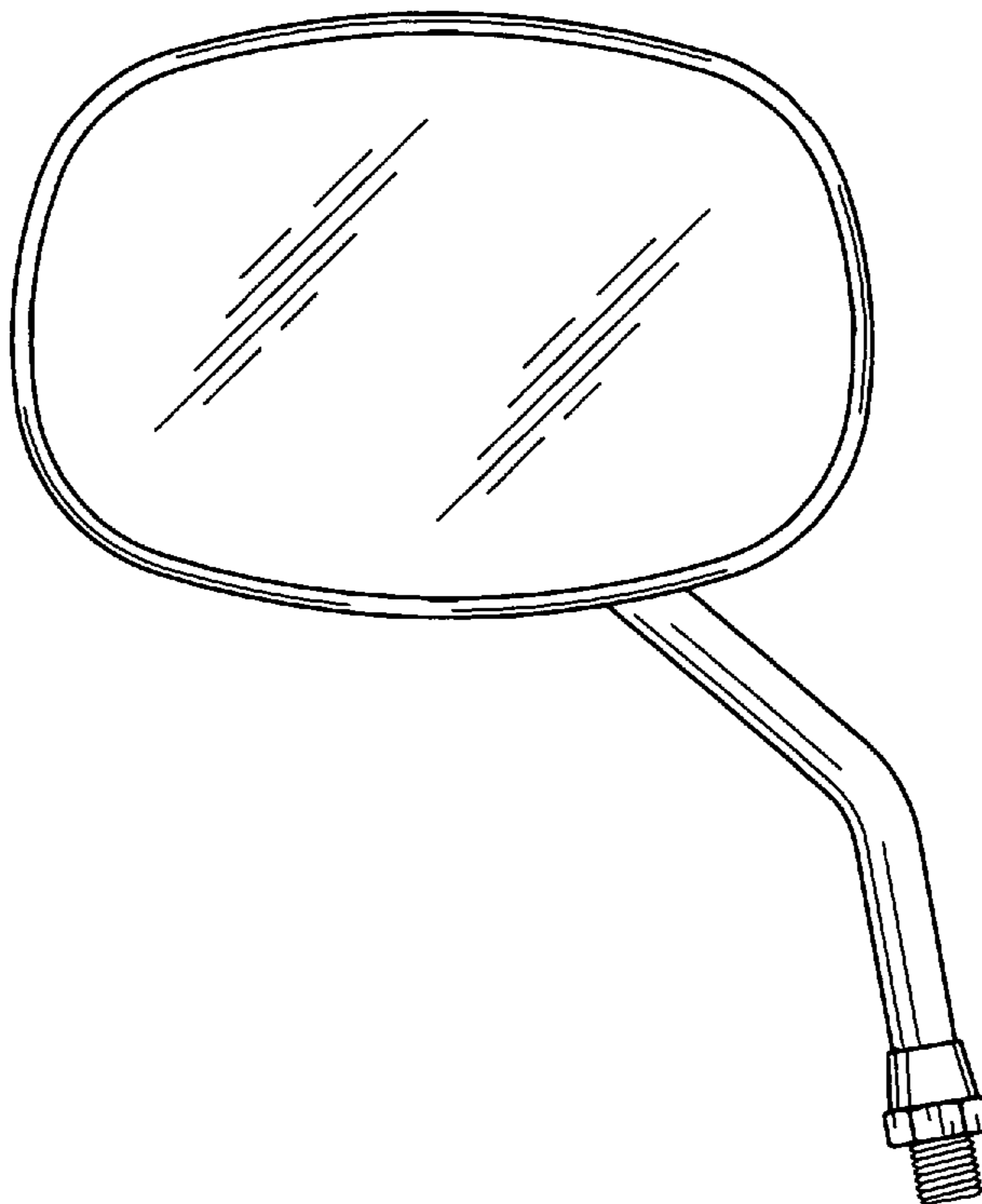
FIG. 1 is a front view of a motorcycle mirror incorporating a design according to the invention;
FIG. 2 is a rear view of the motorcycle mirror of FIG. 1;
FIG. 3 is a top view of the motorcycle mirror of FIG. 1;
FIG. 4 is a left side view of the motorcycle mirror of FIG. 1; and,
FIG. 5 is a right side view of the motorcycle mirror of FIG. 1.

[56] References Cited

U.S. PATENT DOCUMENTS

2,854,893 10/1958 Henshall 248/475.1
4,252,290 2/1981 Willey 248/549

1 Claim, 2 Drawing Sheets



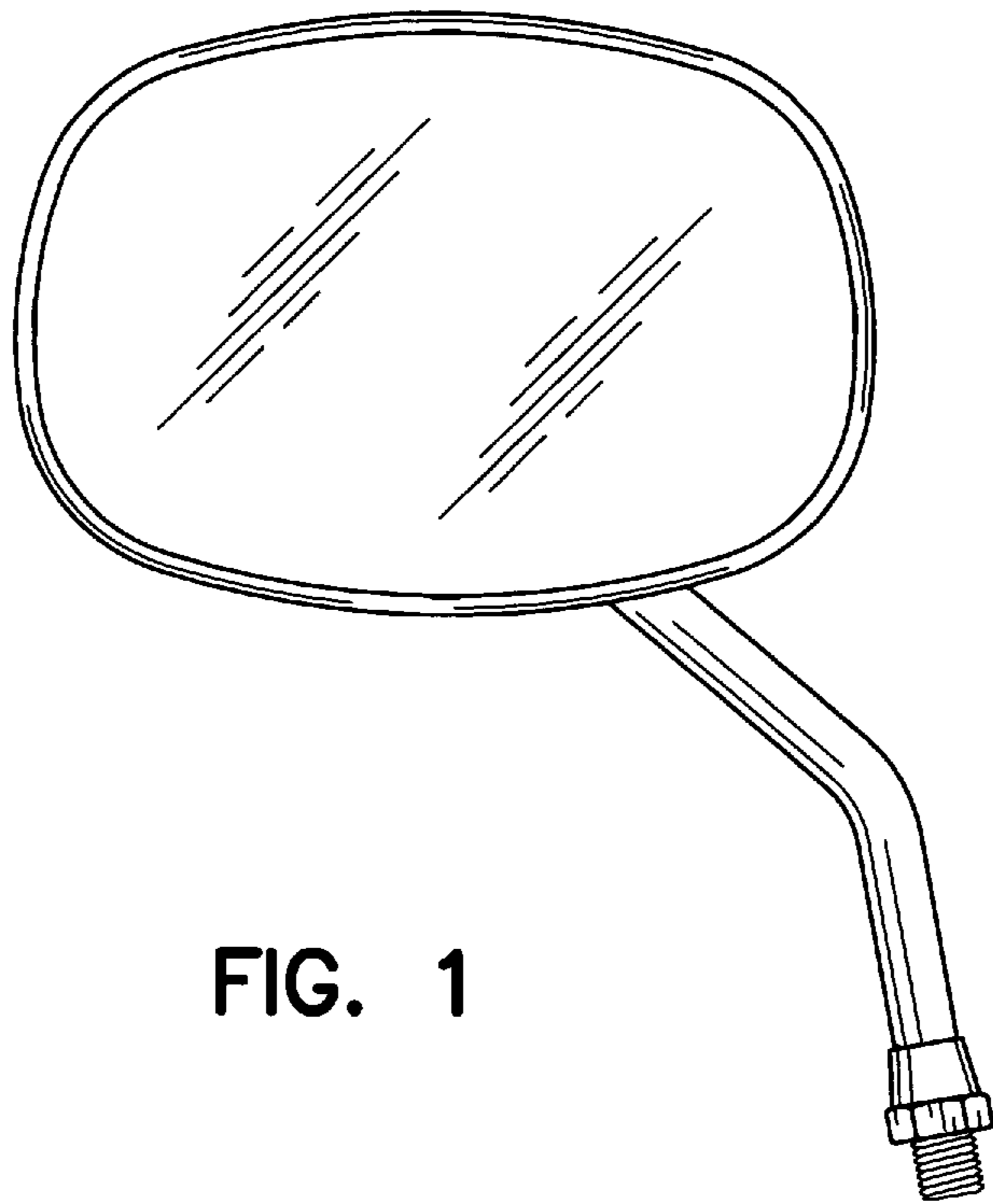


FIG. 1

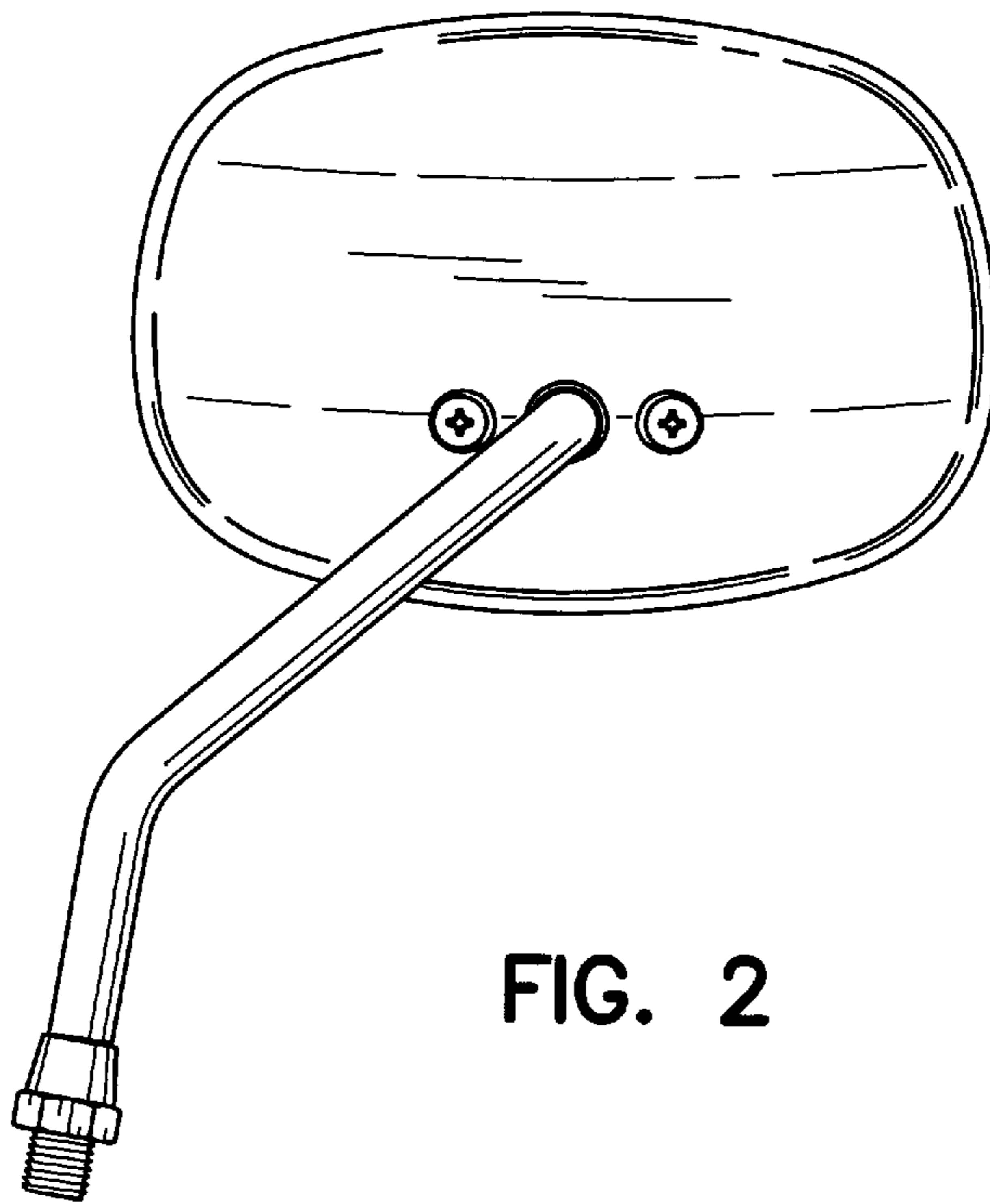


FIG. 2

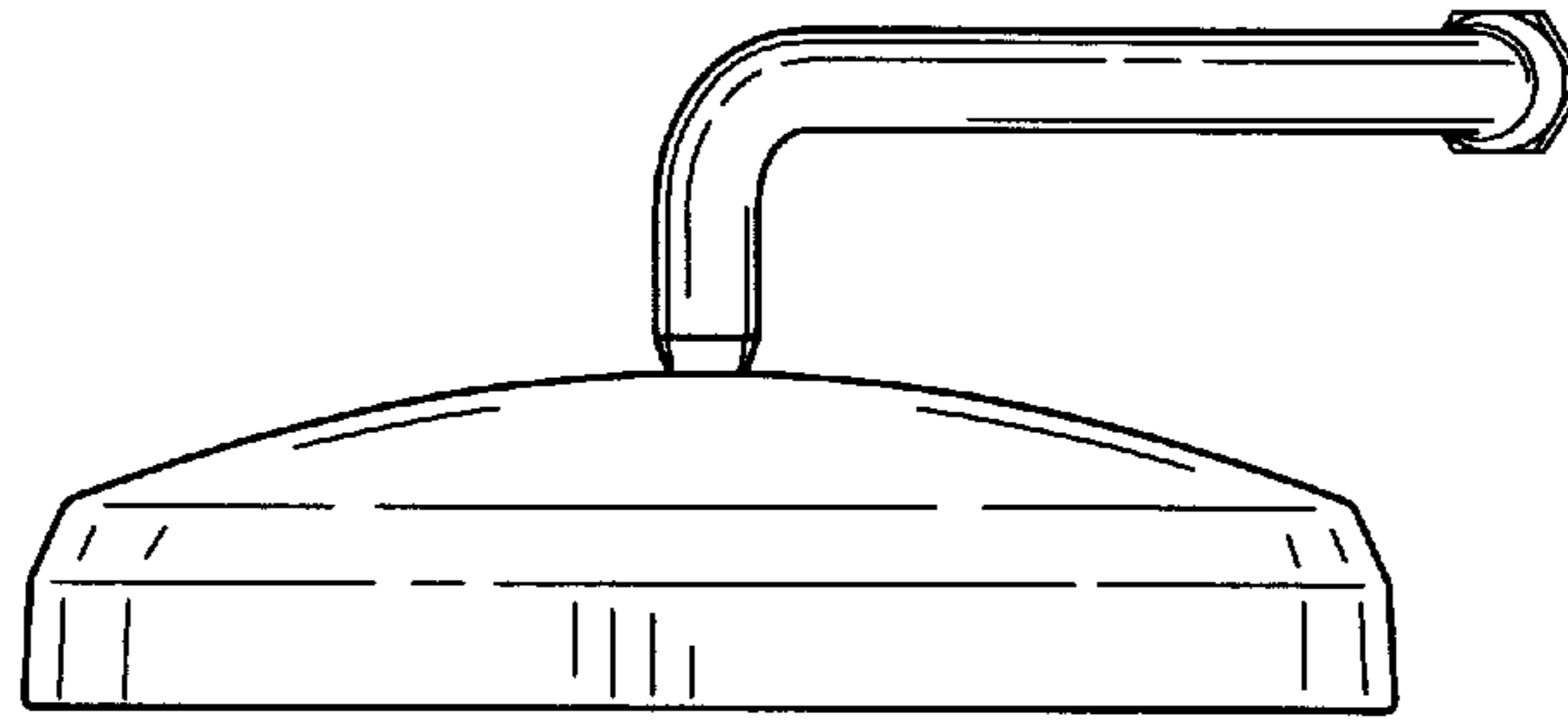


FIG. 3

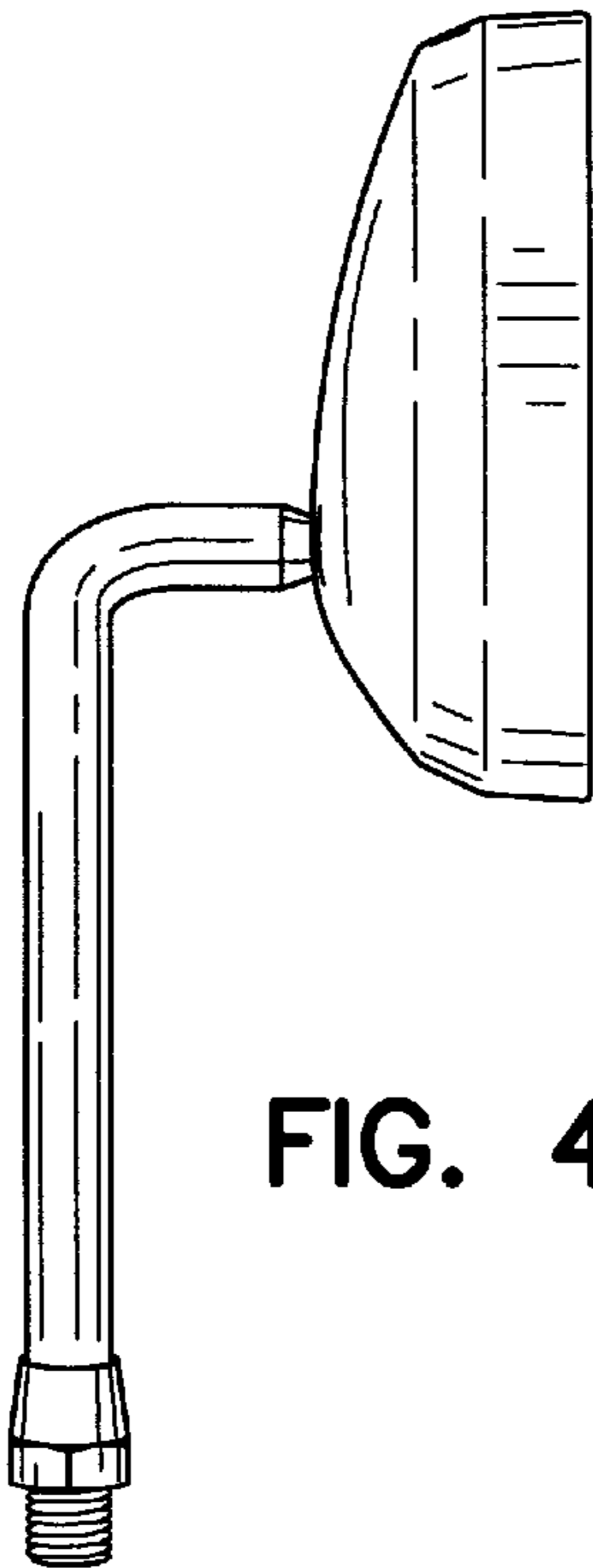


FIG. 4

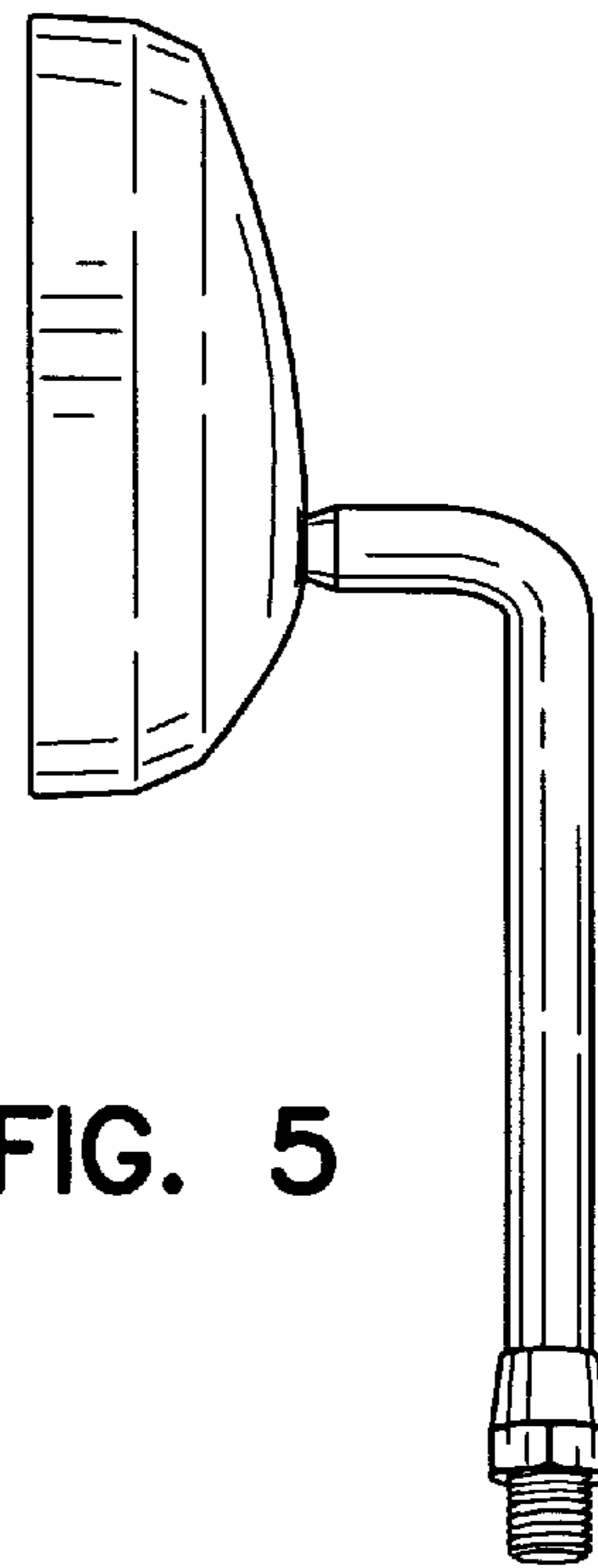


FIG. 5