



US00D406087S

United States Patent [19]

[11] Patent Number: **Des. 406,087**

Bavington et al.

[45] Date of Patent: ****Feb. 23, 1999**

[54] **MUD FLAP**

[75] Inventors: **Gregory F. Bavington; Peter P. Davis,**
both of Toronto; **Manuel F. C. Estragadinho,** Brampton; **Kamilo Susman,** Etobicoke, all of Canada

[73] Assignee: **National Rubber Technology Inc.,**
Toronto, Canada

[**] Term: **14 Years**

[21] Appl. No.: **56,756**

[22] Filed: **Jul. 8, 1996**

[51] **LOC (6) Cl.** **12-12**

[52] **U.S. Cl.** **D12/185**

[58] **Field of Search** D23/303, 304,
D23/307; 4/559, 584, 658, 661, 300.3,
609; 604/192, 263; D12/185, 184; 280/851,
152.3, 848, 849

[56] **References Cited**

U.S. PATENT DOCUMENTS

D. 167,061	6/1952	Schwartz	D12/185
D. 253,764	12/1979	Lockwood et al. .	
D. 263,696	4/1982	Regler	D12/185
D. 279,560	7/1985	Jensen	D12/185
D. 282,158	1/1986	Wright	D12/185
2,653,846	9/1953	Wiley .	
3,279,818	10/1966	Jones .	
3,285,624	11/1966	Aber et al. .	
3,784,226	1/1974	Wilfert et al. .	
4,315,634	2/1982	Arenhold .	

4,765,001	8/1988	Smith	4/609
4,878,257	11/1989	Hardin	4/658
5,199,742	4/1993	Gotz et al. .	
5,407,229	4/1995	Garrett .	
5,527,297	6/1996	Paul	604/263
5,564,135	10/1996	Jones et al.	4/300.3
5,701,615	12/1997	Baker	4/559

FOREIGN PATENT DOCUMENTS

2689832	10/1993	France .
2114074	8/1983	United Kingdom .
2250249	6/1992	United Kingdom .

Primary Examiner—Louis S. Zarfaz
Assistant Examiner—Eric Watterson
Attorney, Agent, or Firm—Ridout & Maybee

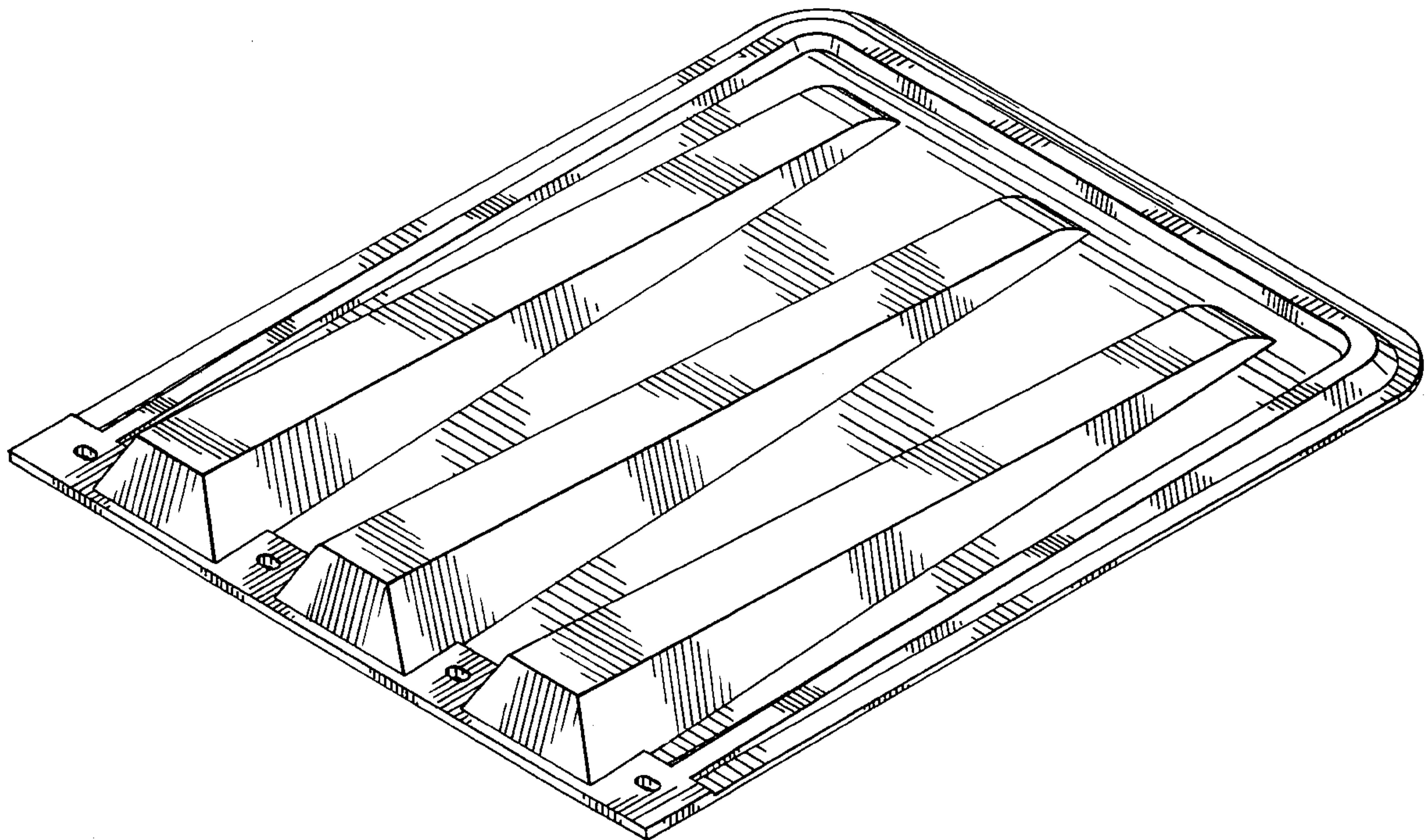
[57] **CLAIM**

The ornamental design for mud flap, as shown and described.

DESCRIPTION

FIG. 1 is a perspective view of the mud flap of the present invention from the front and from above;
FIG. 2 is a front elevational view of the mud flap of FIG. 1 in inverted position;
FIG. 3 is a top plan view of the mud flap of FIG. 1;
FIG. 4 is a side view of the mud flap of FIG. 1 in inverted position;
FIG. 5 is a rear elevational view of the mud flap of FIG. 1 in inverted position; and,
FIG. 6 is a bottom plan view of the mud flap of FIG. 1.

1 Claim, 3 Drawing Sheets



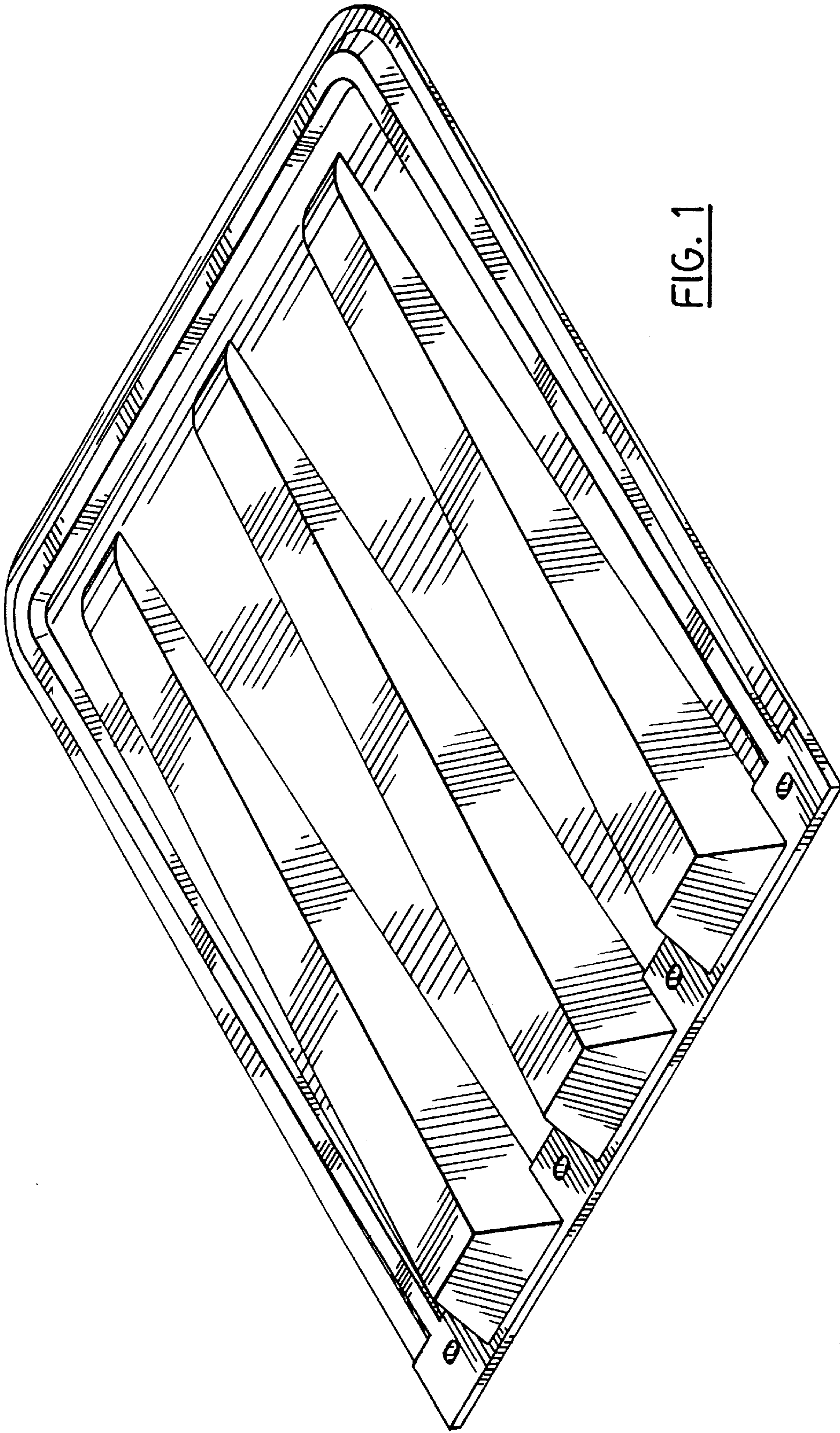


FIG. 1

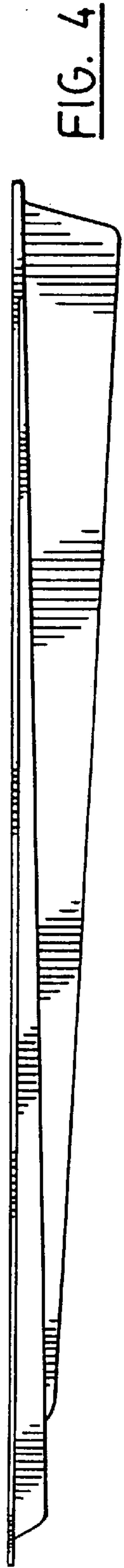


FIG. 4

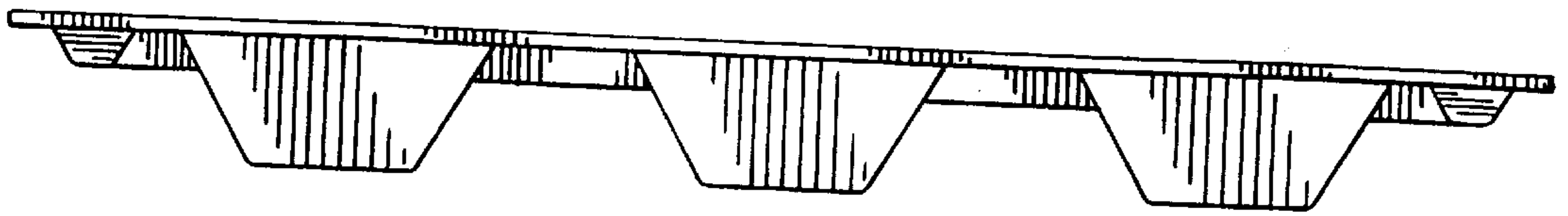


FIG. 2

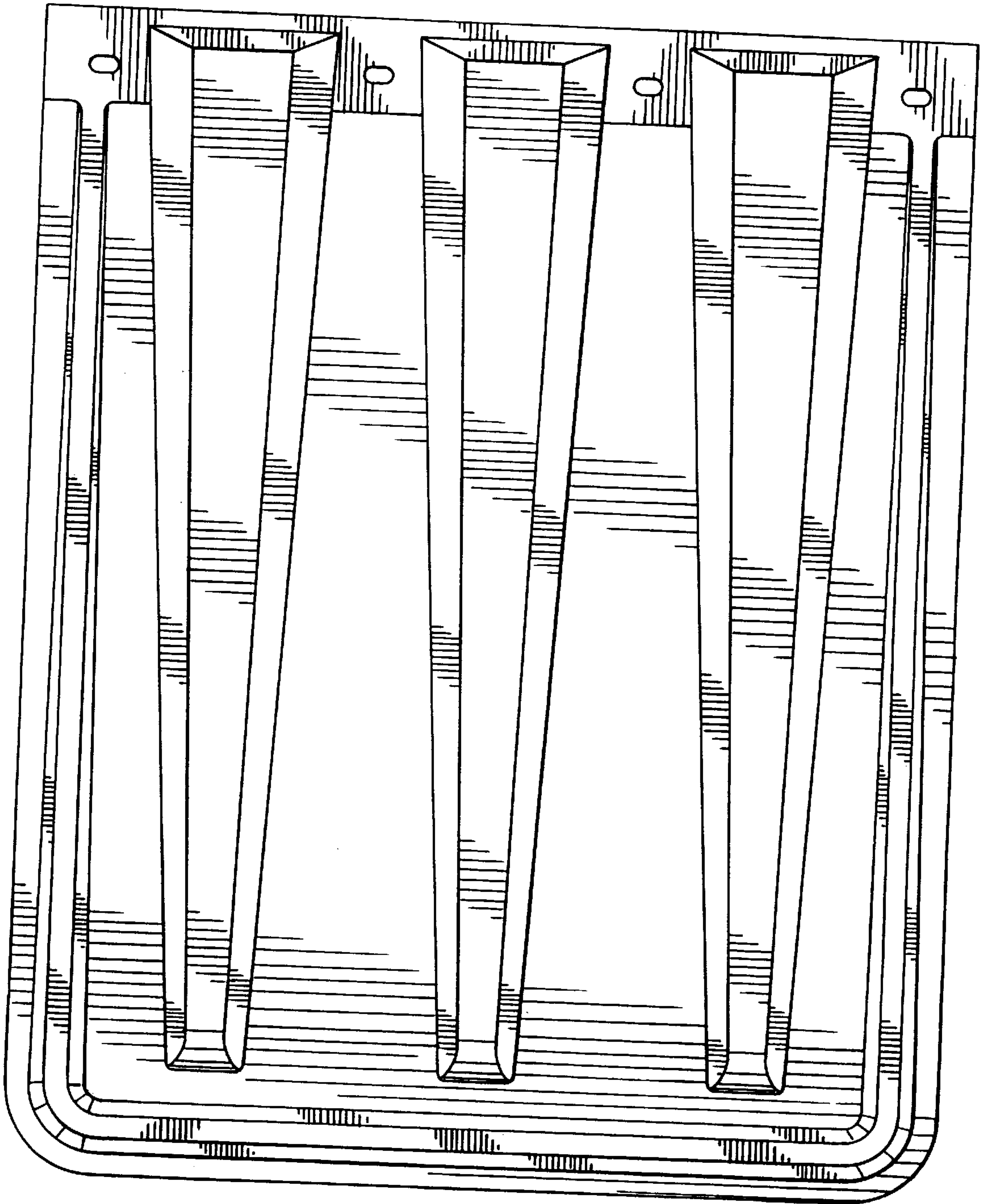


FIG. 3

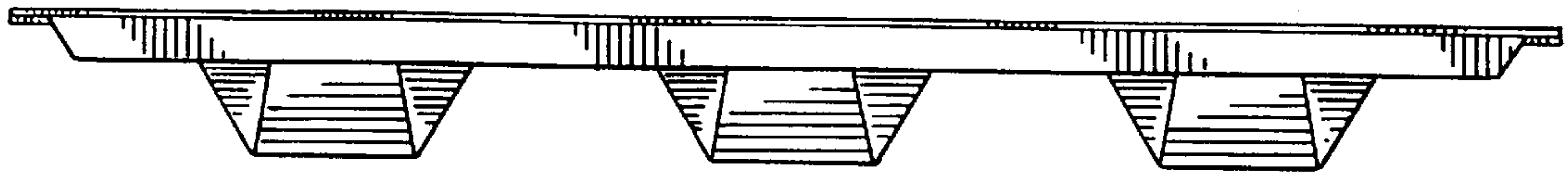


FIG. 5

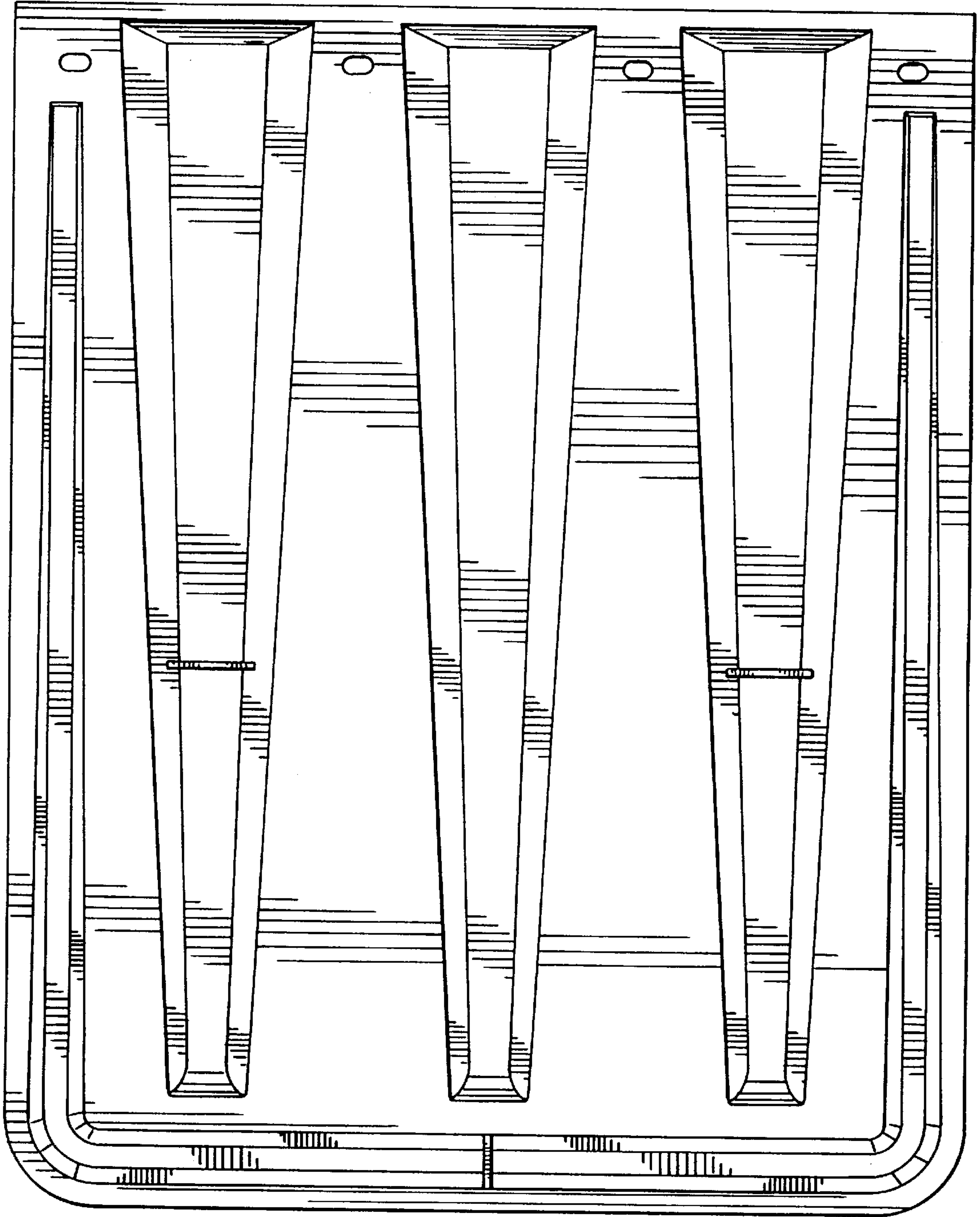


FIG. 6