



US00D406086S

United States Patent [19]

Lindenman et al.

[11] Patent Number: Des. 406,086

[45] Date of Patent: **Feb. 23, 1999

[54] **GOOSENECK HITCH MOUNTING ASSEMBLY**

[75] Inventors: **Thomas W. Lindenman**, South Bend;
Richard McCoy, Granger, both of Ind.

[73] Assignee: **Reese Products, Inc.**, Elkhart, Ind.

[**] Term: **14 Years**

[21] Appl. No.: **61,268**

[22] Filed: **Oct. 18, 1996**

[51] **LOC (6) Cl.** **12-16**

[52] **U.S. Cl.** **D12/162**

[58] **Field of Search** D12/162, 400;
224/282, 511, 519, 521; 280/415.1, 433,
480, 500, 504, 511

[56] **References Cited**

U.S. PATENT DOCUMENTS

D. 252,377	7/1979	Mallory et al.	D12/400
D. 346,782	5/1994	Schmidt	D12/162
3,895,767	7/1975	Maughlin et al.	280/504
4,088,339	5/1978	Sagebiel .	
4,256,324	3/1981	Hamilton	280/415.1
4,570,966	2/1986	Giboney et al. .	
4,906,015	3/1990	LaCroix et al.	224/519

5,013,060	5/1991	Van Andel et al.	280/433
5,143,393	9/1992	Meyer .	
5,472,222	12/1995	Marcy	280/511
5,593,139	1/1997	Julian	224/521
5,603,597	2/1997	Clay, Sr.	224/521
5,605,264	2/1997	Neal	296/37.6

Primary Examiner—James Gandy
Assistant Examiner—Robert M. Spear
Attorney, Agent, or Firm—King and Schickli

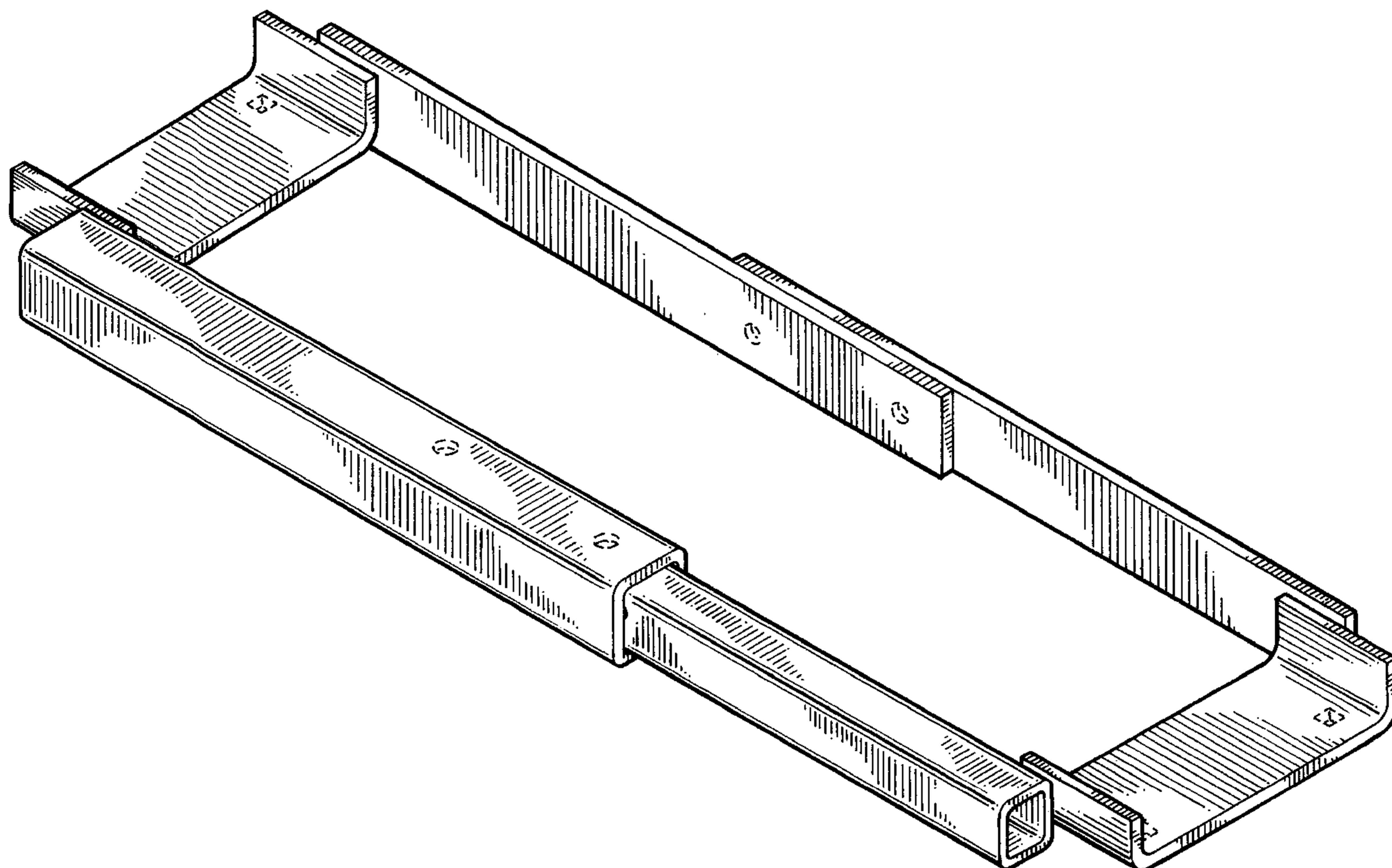
[57] **CLAIM**

The ornamental design for a gooseneck hitch mounting assembly, as shown and described.

DESCRIPTION

FIG. 1 is a rear perspective view of the gooseneck hitch mounting assembly of the present invention; FIG. 2 is a front elevational view thereof; FIG. 3 is a left side elevational view thereof; FIG. 4 is a rear elevational view thereof; FIG. 5 is a right side elevational view thereof; FIG. 6 is a top plan view thereof; and, FIG. 7 is a bottom plan view thereof. The broken line showing of bolt holes is for illustrative purposes only and forms no part of the claimed design.

1 Claim, 3 Drawing Sheets



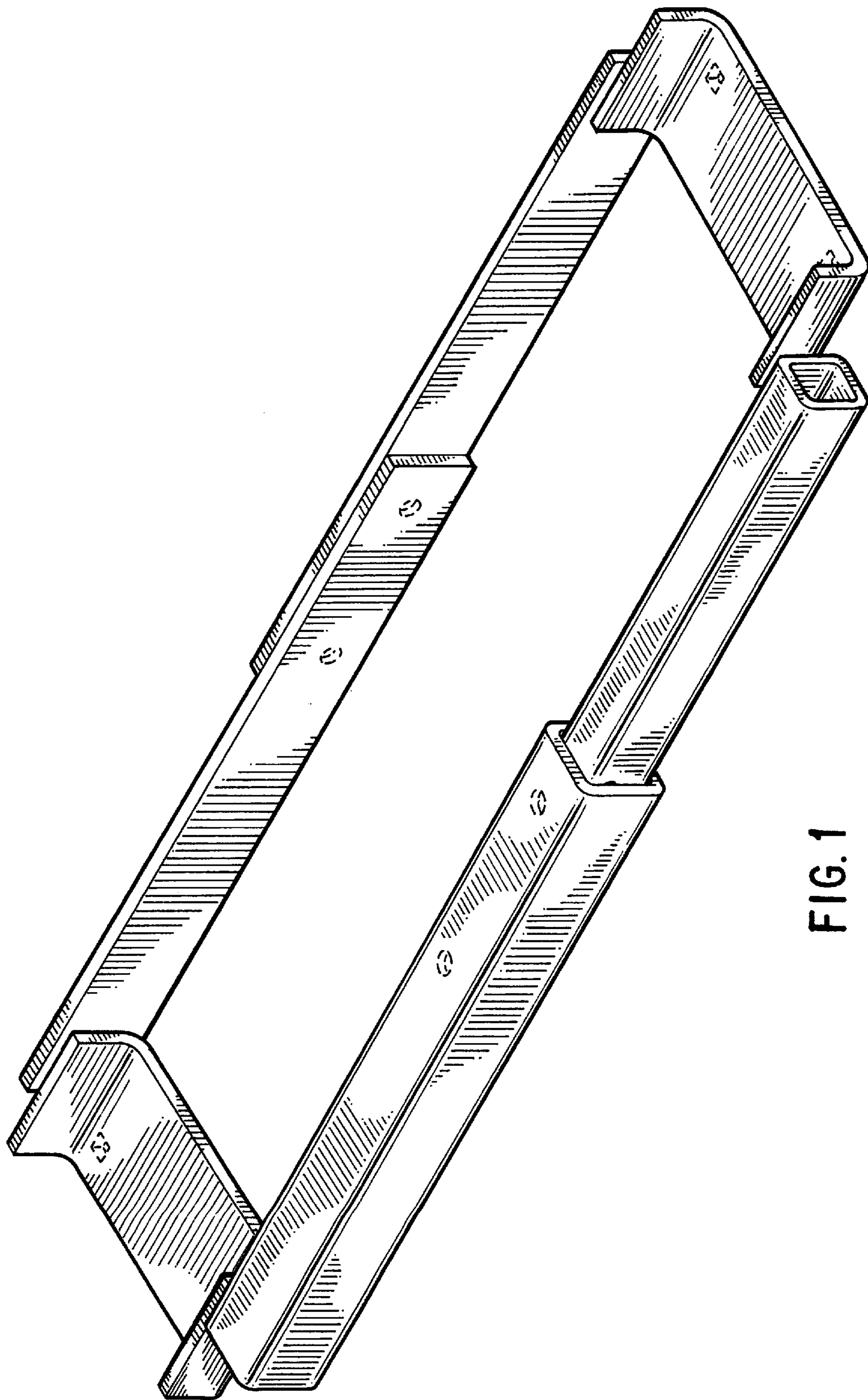


FIG. 1

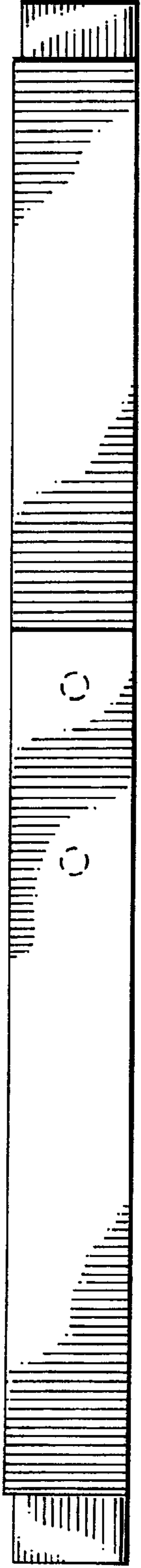


FIG. 2

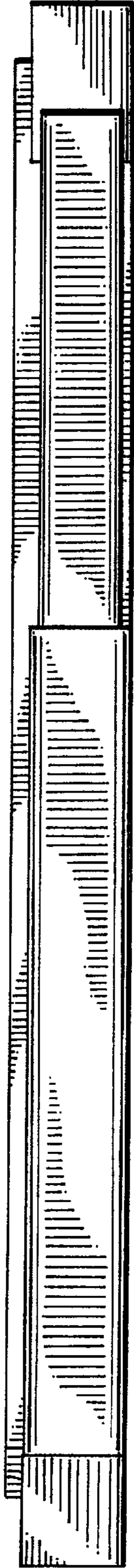


FIG. 4



FIG. 3

FIG. 5

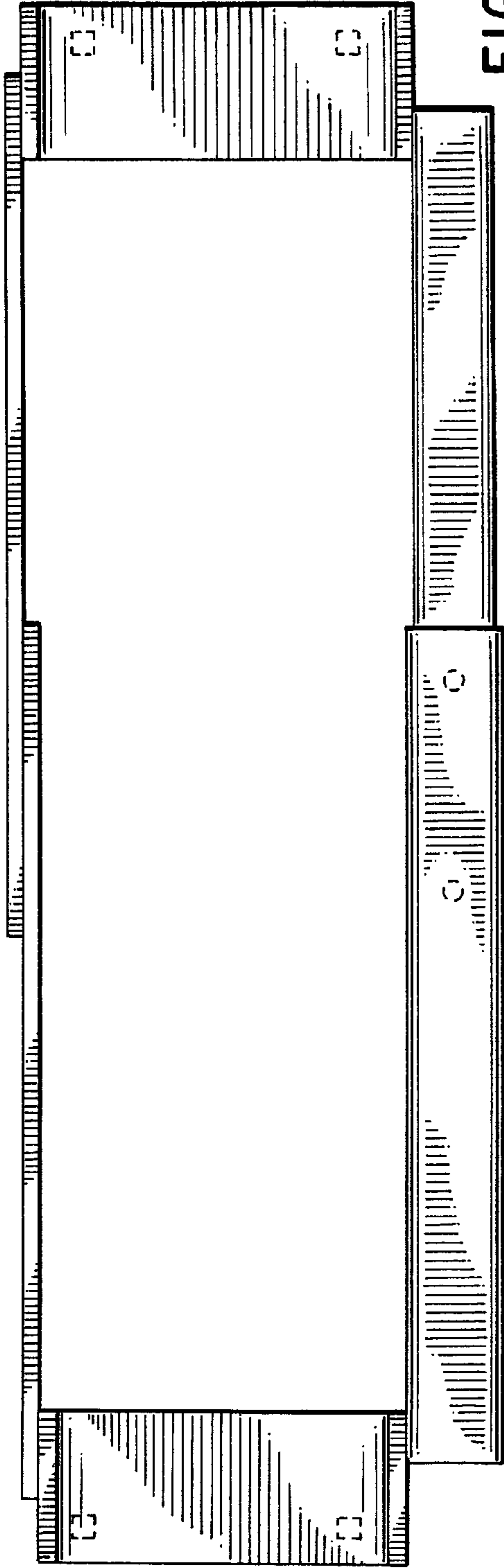


FIG. 6

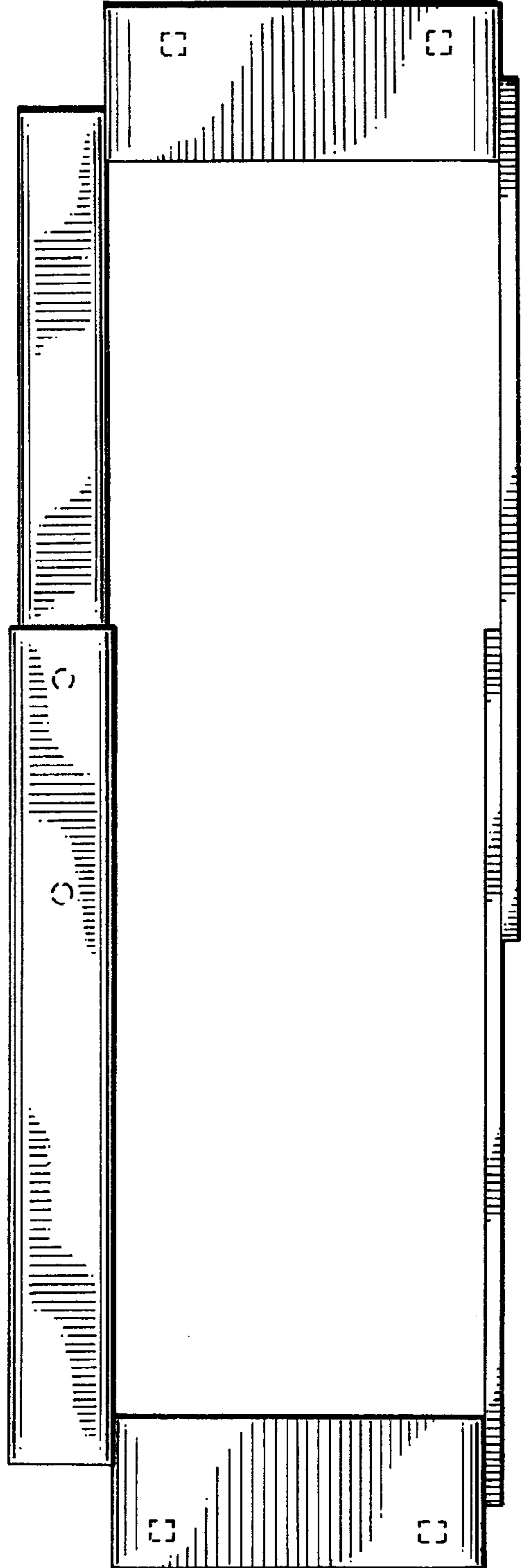


FIG. 7