



US00D406083S

United States Patent [19] Turner

[11] Patent Number: Des. 406,083

[45] Date of Patent: **Feb. 23, 1999

[54] BICYCLE FORK CROWN

[75] Inventor: Paul H. Turner, Boulder, Colo.

[73] Assignee: RockShox, Inc., San Jose, Calif.

[**] Term: 14 Years

[21] Appl. No.: 81,366

[22] Filed: Dec. 31, 1997

[51] LOC (6) Cl. 12-11

[52] U.S. Cl. D12/118

[58] Field of Search D12/118, 110;
280/276-279, 281.1, 288.1-288.3

[56] References Cited

U.S. PATENT DOCUMENTS

| | | | |
|------------|---------|----------------|----------|
| Re. 35,401 | 12/1996 | Wilson et al. | 280/276 |
| D. 344,253 | 2/1994 | Bishop et al. | D12/118 |
| D. 368,054 | 3/1996 | Behrens et al. | D12/111 |
| D. 378,747 | 4/1997 | Behrens | D12/118 |
| 704,901 | 7/1902 | Moore | 280/276 |
| 783,236 | 2/1905 | Ashburn | 280/276 |
| 4,145,067 | 3/1979 | Ceriani | 280/276 |
| 4,561,669 | 12/1985 | Simons | 280/276 |
| 4,971,344 | 11/1990 | Turner | 280/276 |
| 5,060,961 | 10/1991 | Bontrager | 280/279 |
| 5,088,705 | 2/1992 | Tsai | 267/226 |
| 5,094,324 | 3/1992 | Tsai | 188/269 |
| 5,186,481 | 2/1993 | Turner | 280/276 |
| 5,193,832 | 3/1993 | Wilson et al. | 280/276 |
| 5,238,259 | 8/1993 | Wilson et al. | 280/276 |
| 5,269,549 | 12/1993 | Wilson et al. | 280/276 |
| 5,284,352 | 2/1994 | Chen | 280/276 |
| 5,290,052 | 3/1994 | Bontrager | 280/279 |
| 5,310,203 | 5/1994 | Chen | 280/276 |
| 5,346,236 | 9/1994 | Ohma | 280/276 |
| 5,359,910 | 11/1994 | Chang et al. | 74/551.2 |
| 5,367,918 | 11/1994 | Chang et al. | 74/551.2 |
| 5,398,954 | 3/1995 | Chonan | 280/276 |
| 5,417,446 | 5/1995 | Pileggi | 280/276 |
| 5,445,401 | 8/1995 | Bradbury | 280/276 |
| 5,449,188 | 9/1995 | Ohma | 280/276 |
| 5,449,189 | 9/1995 | Chen | 280/276 |

| | | | |
|-----------|---------|----------------|---------|
| 5,456,480 | 10/1995 | Turner et al. | 280/276 |
| 5,470,090 | 11/1995 | Stewart et al. | 280/276 |
| 5,472,221 | 12/1995 | Kaweda et al. | 280/276 |
| 5,509,675 | 4/1996 | Barnett | 280/276 |
| 5,509,677 | 4/1996 | Bradbury | 280/276 |
| 5,511,811 | 4/1996 | Pileggi | 280/276 |
| 5,580,075 | 12/1996 | Turner | 280/276 |
| 5,603,521 | 2/1997 | Bontrager | 280/279 |
| 5,626,355 | 5/1997 | Voss et al. | 280/276 |
| 5,653,007 | 8/1997 | Boyer et al. | 29/460 |

FOREIGN PATENT DOCUMENTS

| | | |
|---------|---------|------------------|
| 89362 | 10/1919 | France . |
| 1006862 | 4/1952 | France . |
| 2721121 | 11/1977 | Germany . |
| 612889 | 8/1979 | Switzerland . |
| 20652 | of 1893 | United Kingdom . |
| 22830 | of 1894 | United Kingdom . |
| 13020 | of 1898 | United Kingdom . |
| 11559 | of 1899 | United Kingdom . |
| 297211 | 9/1928 | United Kingdom . |
| 765114 | 1/1957 | United Kingdom . |

Primary Examiner—Melody N. Brown
Attorney, Agent, or Firm—David W. Hansen; Brian R. Suffredini; Skadden, Arps, Slate, Meagher & Flom LLP

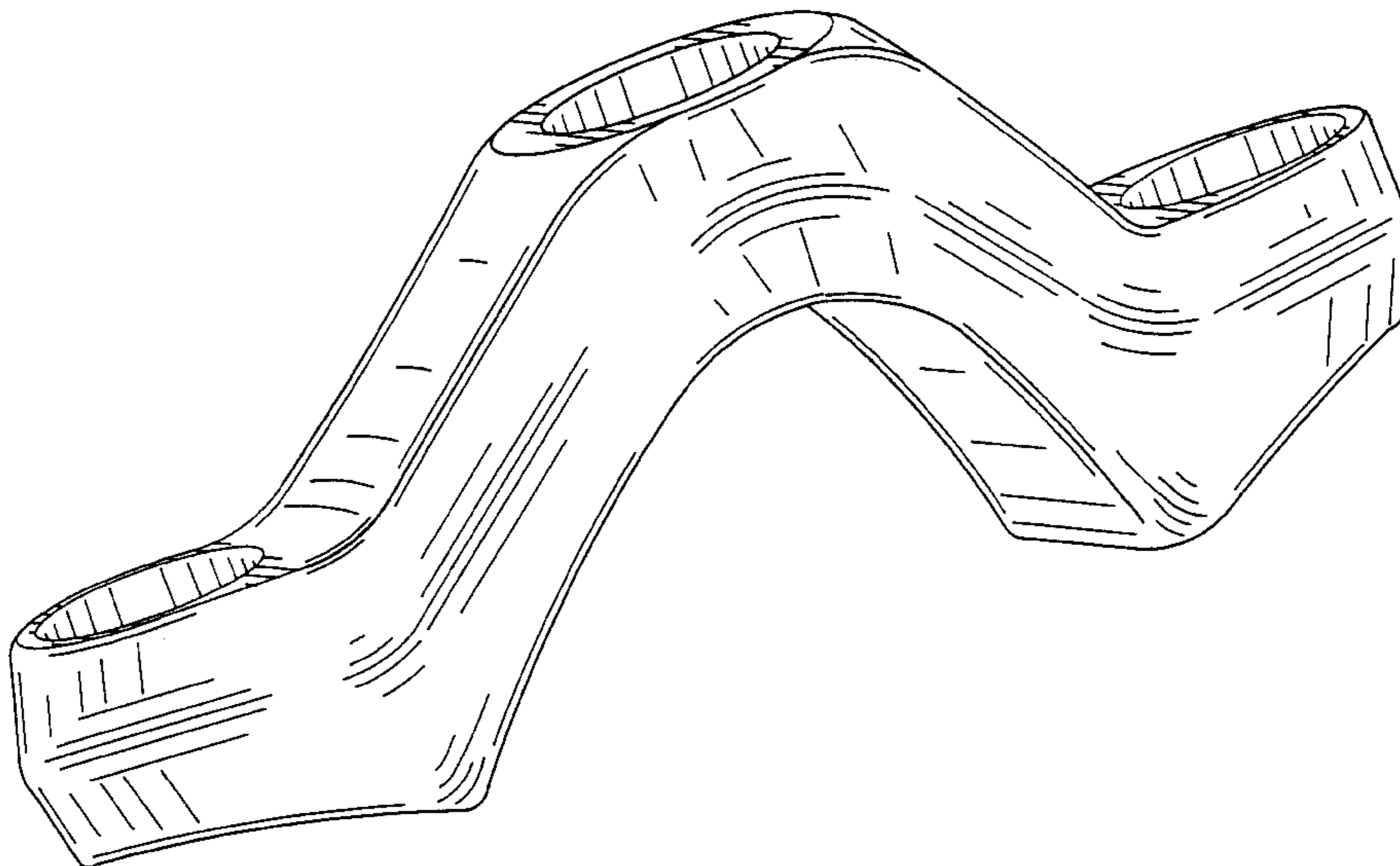
[57] CLAIM

The ornamental design for a bicycle fork crown, as shown and described.

DESCRIPTION

FIG. 1 is a perspective view of the bicycle fork crown, showing my new design;
FIG. 2 is a front elevational view of the bicycle fork crown;
FIG. 3 is a rear elevational view of the bicycle fork crown;
FIG. 4 is a top plan view of the bicycle fork crown;
FIG. 5 is a bottom plan view of the bicycle fork crown;
FIG. 6 is an elevational view of the right side (when the crown is viewed from the front) of the bicycle fork crown; and,
FIG. 7 is an elevational view of the left side (when the crown is viewed from the front) of the bicycle fork crown.

1 Claim, 5 Drawing Sheets



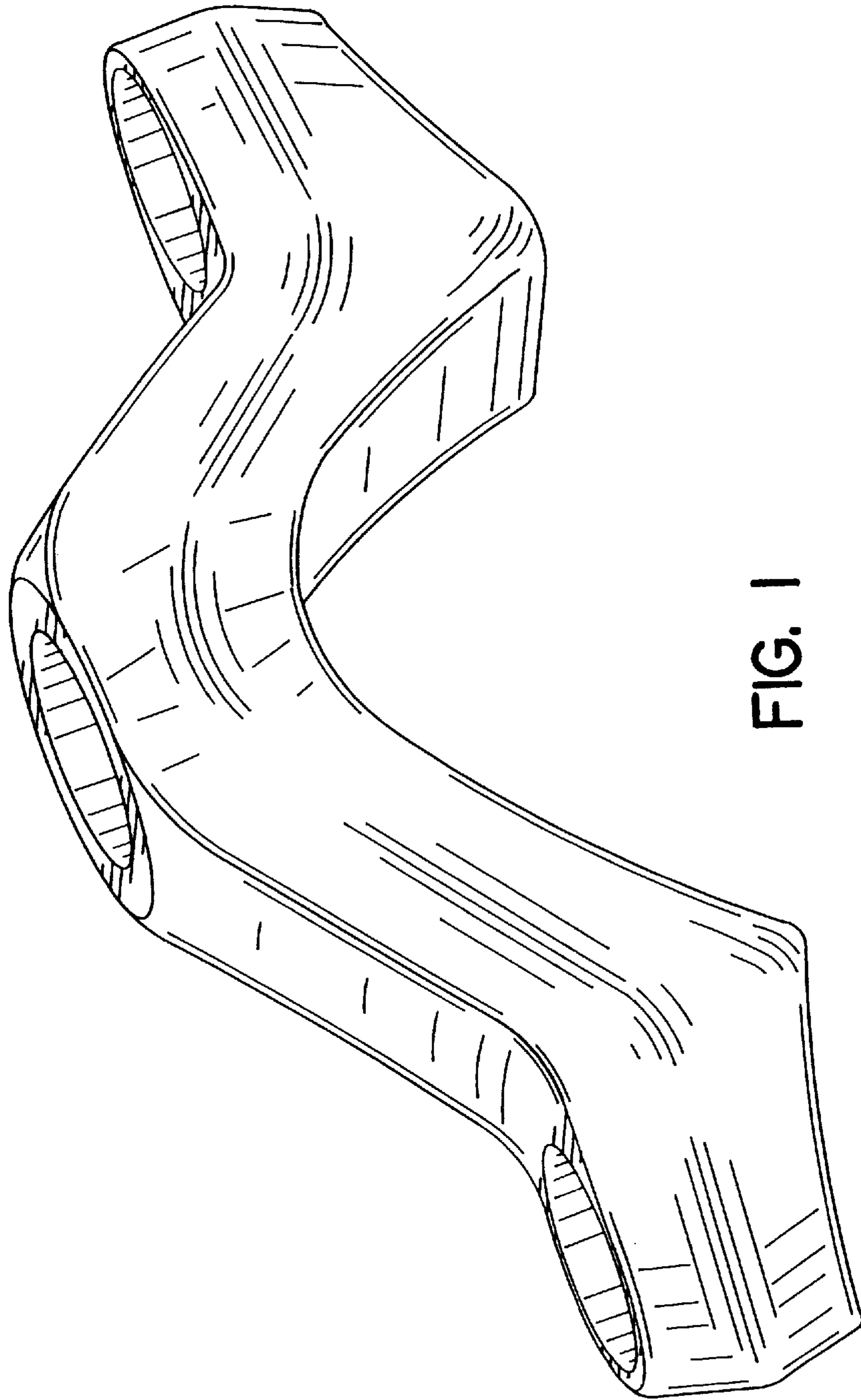


FIG. 1

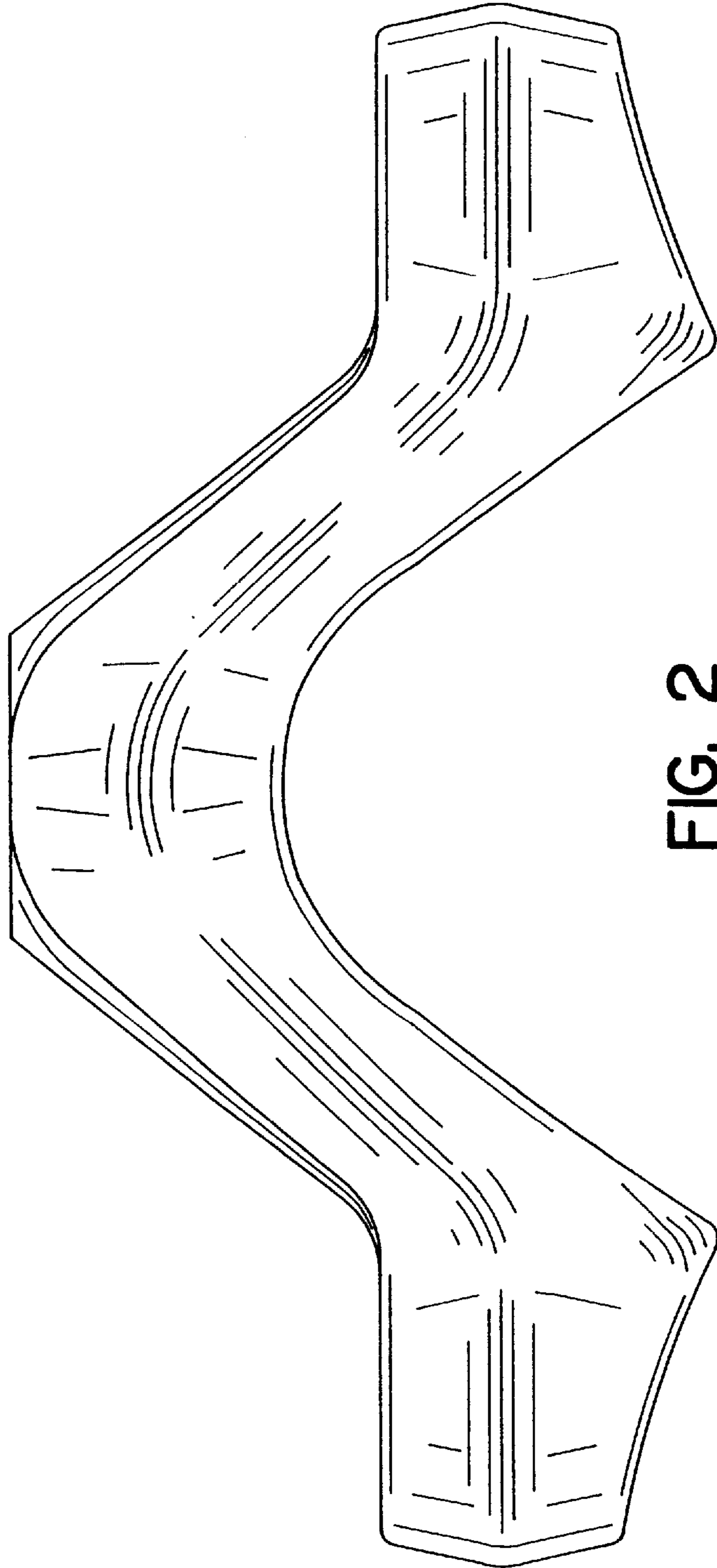


FIG. 2

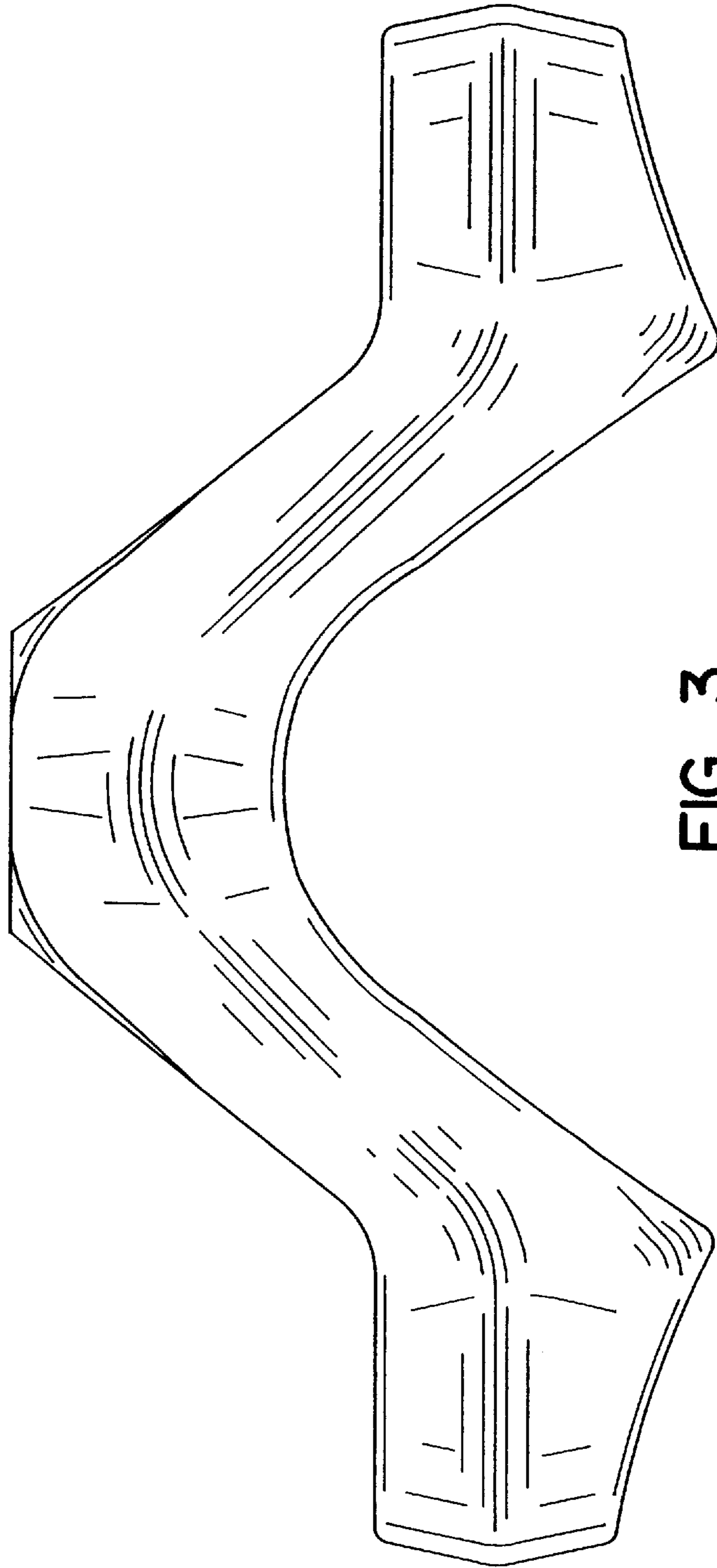


FIG. 3

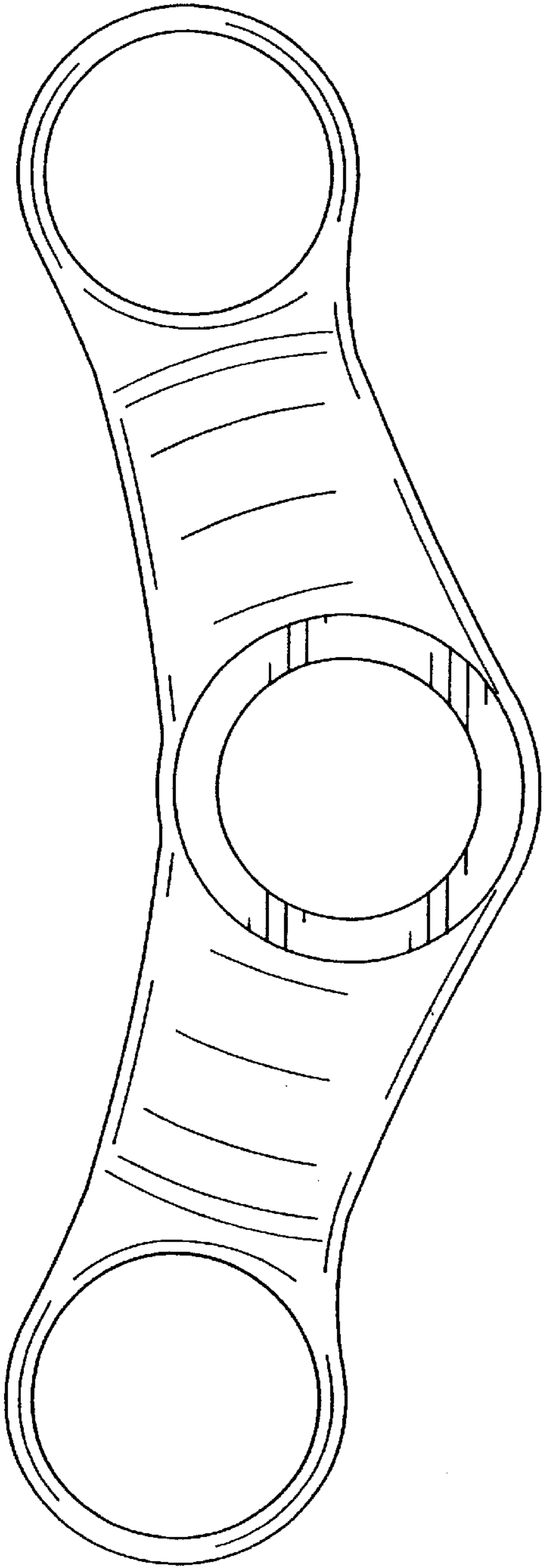


FIG. 4

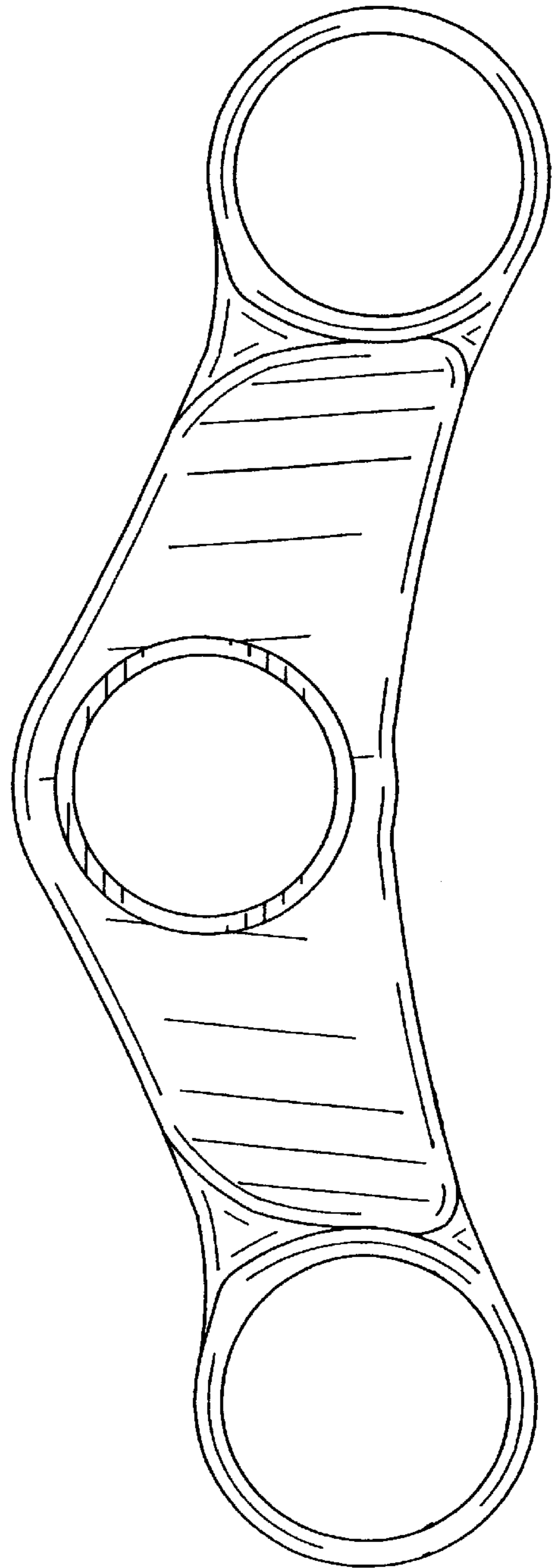


FIG. 5

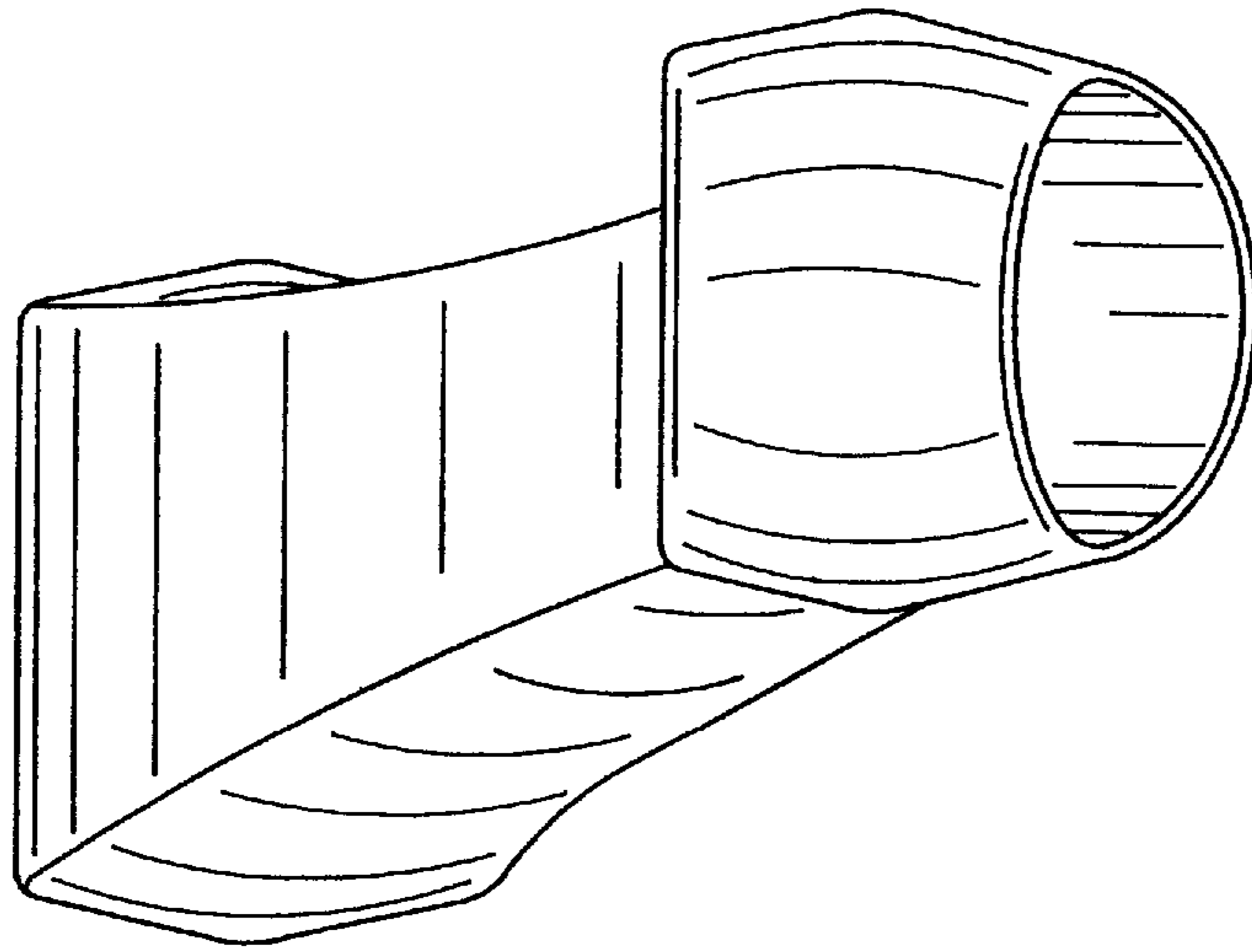


FIG. 7

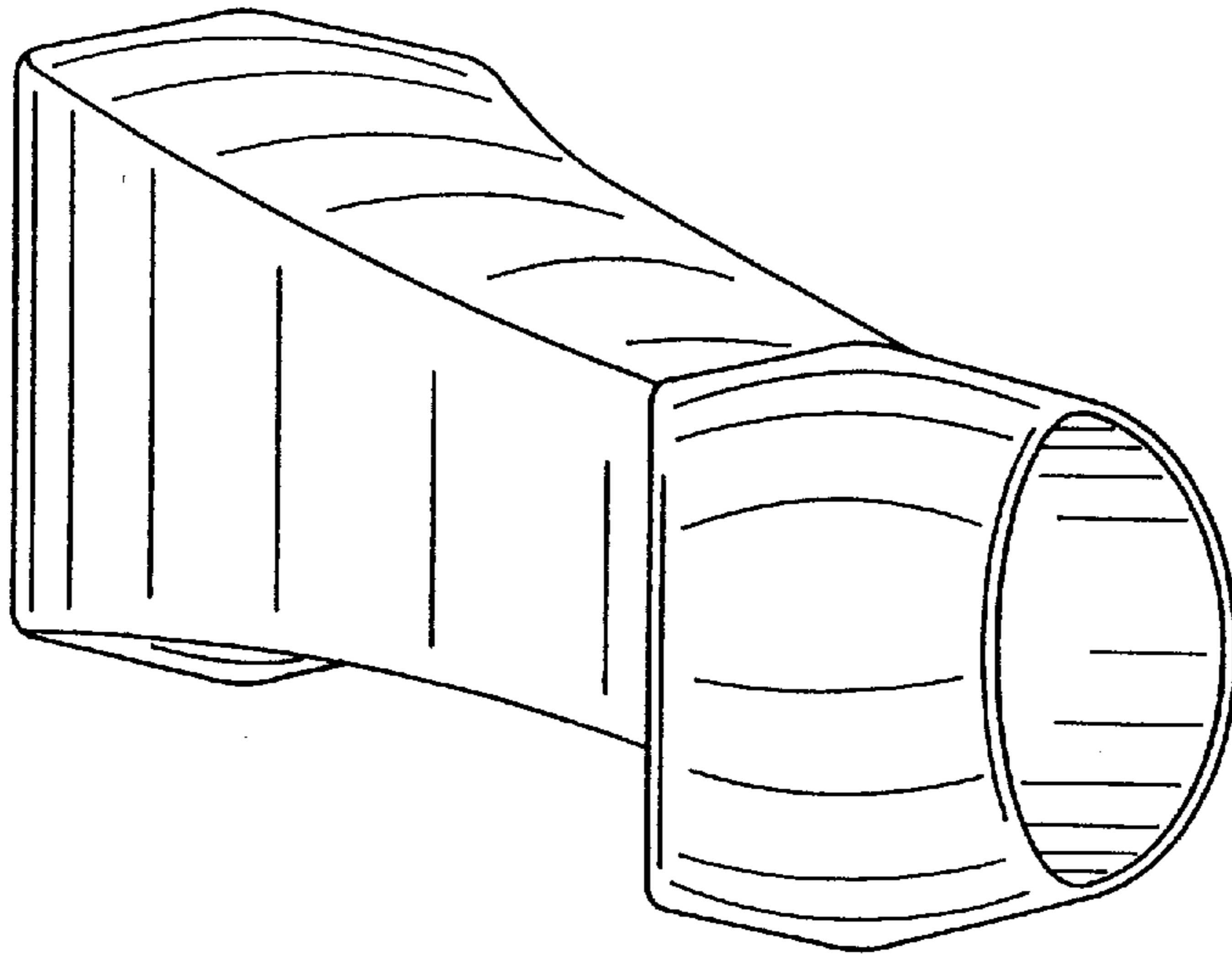


FIG. 6