



US00D406079S

United States Patent [19]
Gryskiewicz et al.

[11] **Patent Number: Des. 406,079**

[45] **Date of Patent: **Feb. 23, 1999**

[54] **HOLIDAY ORNAMENT**

D. 224,892 10/1972 Moranduzzo D11/121
D. 369,314 4/1996 Yang D11/121

[76] Inventors: **Stanley Michael Gryskiewicz; Linda Marie Gryskiewicz; Stanley Michael Gryskiewicz, III; Stacey Michelle Gryskiewicz**, all of 165 W. Putnam Ferry Rd., Woodstock, Ga. 30189; **Clarence Neece Cook, III**, 219 N. Forest Ave., Marietta, Ga. 30060; **Kuo-Shu Edward Chang**, 200 Ivey Oaks Way, Roswell, Ga. 30076

Primary Examiner—Dominic Simone
Attorney, Agent, or Firm—Troutman Sanders LLP; R. Stevan Coursey, Esq.

[**] Term: **14 Years**

[57] **CLAIM**

[21] Appl. No.: **77,899**

The ornamental design for a holiday ornament, as shown and described.

[22] Filed: **Oct. 2, 1997**

DESCRIPTION

[51] **LOC (6) Cl.** **11-05**

[52] **U.S. Cl.** **D11/121**

[58] **Field of Search** D11/117, 121,
D11/157; 428/7-9

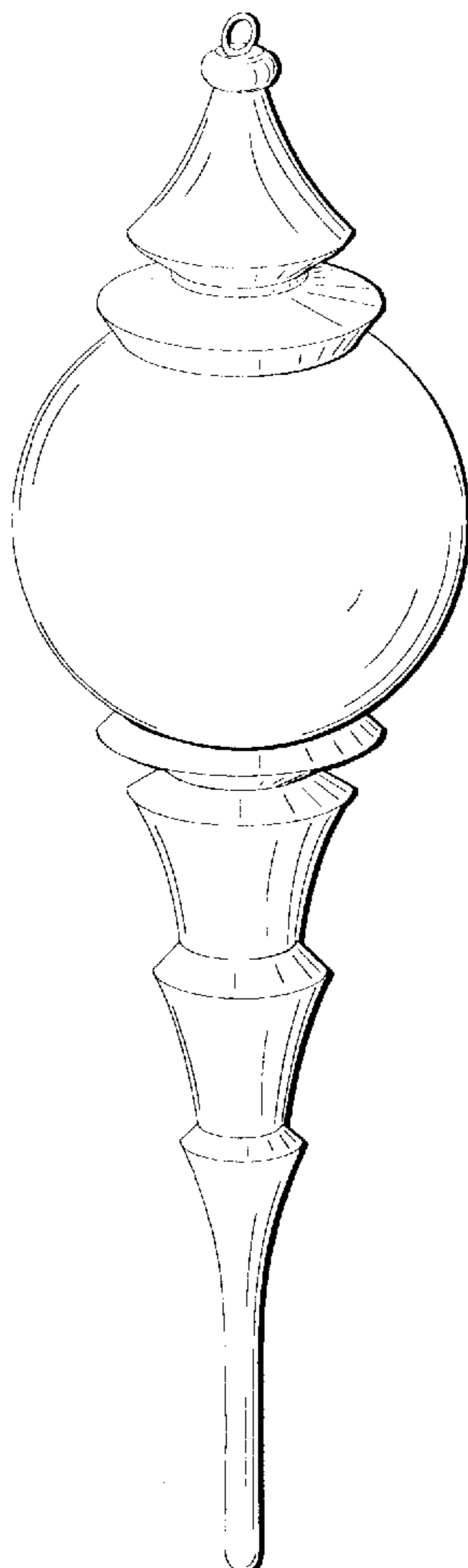
FIG. 1 is a perspective view of a holiday ornament showing our new design;
FIG. 2 is a front elevational view of the holiday ornament shown in FIG. 1, the back being a mirror image thereof;
FIG. 3 is a side elevational view of the holiday ornament shown in FIG. 1, the opposite side being a mirror image thereof;
FIG. 4 is a top view of the holiday ornament shown in FIG. 1; and,
FIG. 5 is a bottom view of the holiday ornament shown in FIG. 1.

[56] **References Cited**

U.S. PATENT DOCUMENTS

D. 188,496 8/1960 Burnbaum D11/121

1 Claim, 1 Drawing Sheet



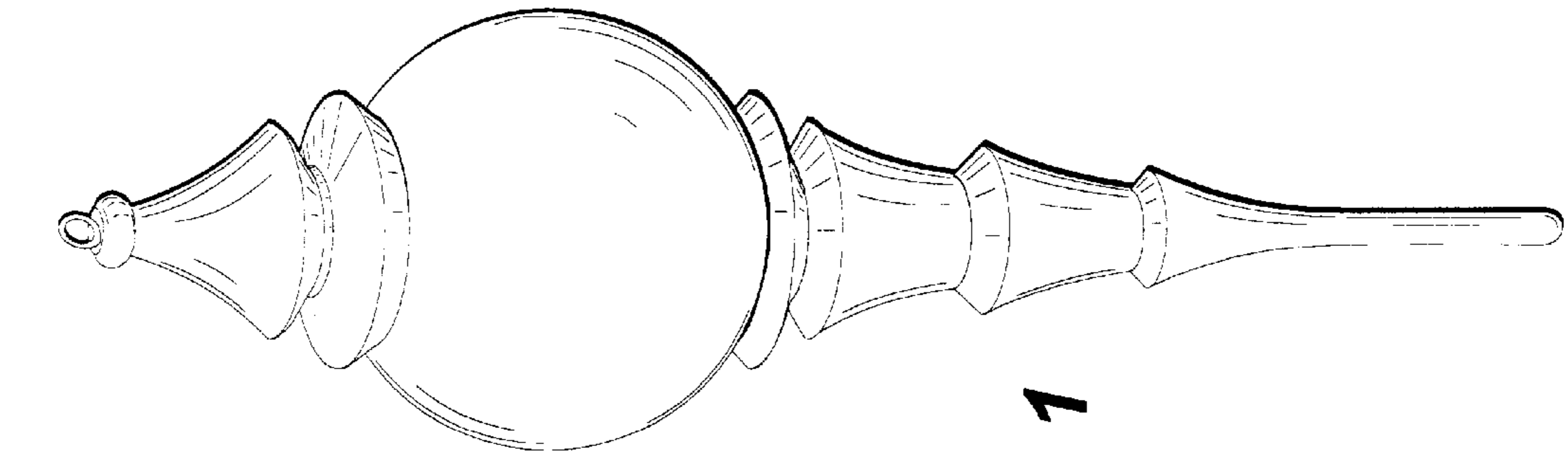


FIG. 1

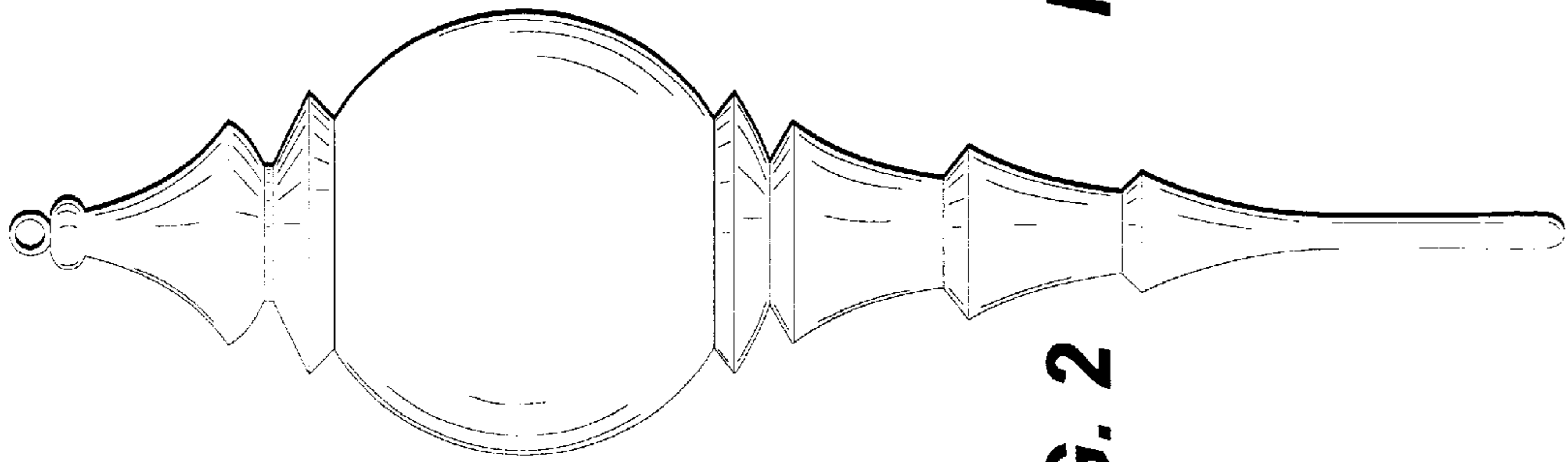


FIG. 2

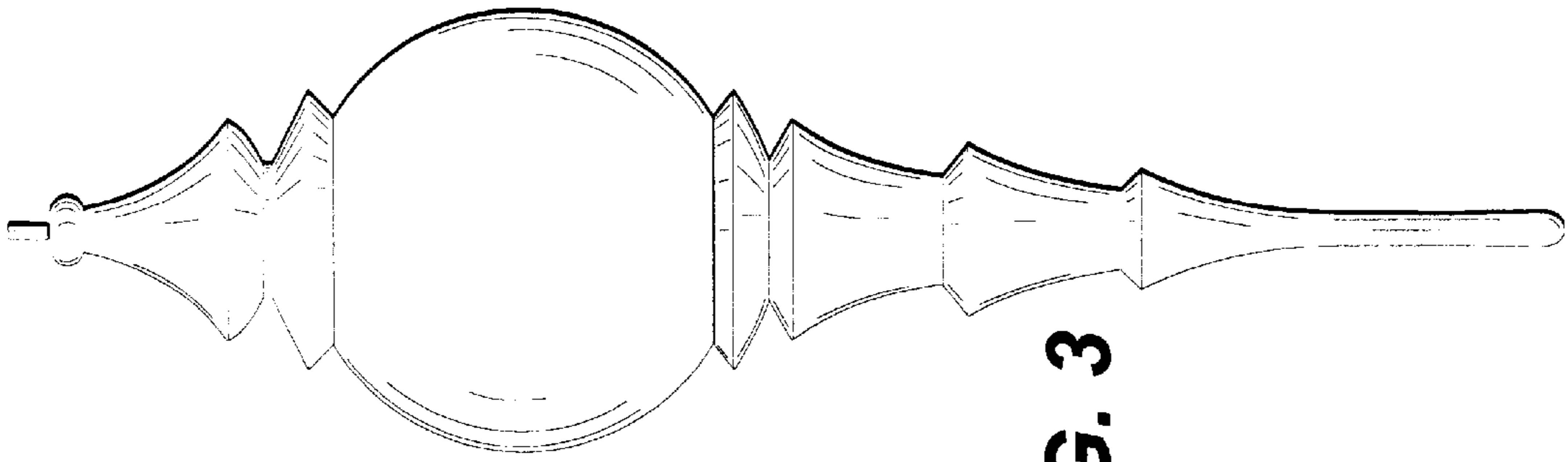


FIG. 3

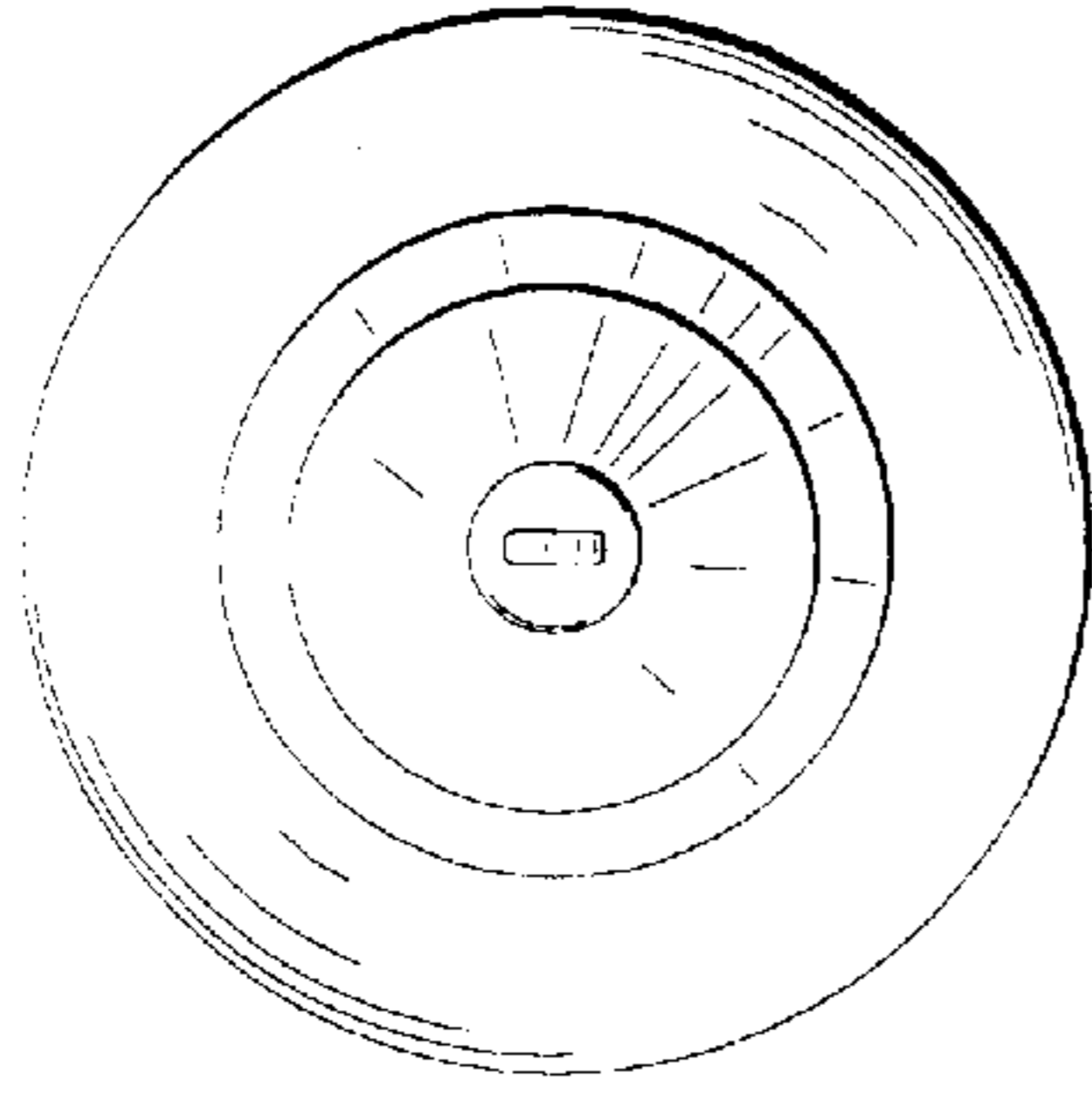


FIG. 4

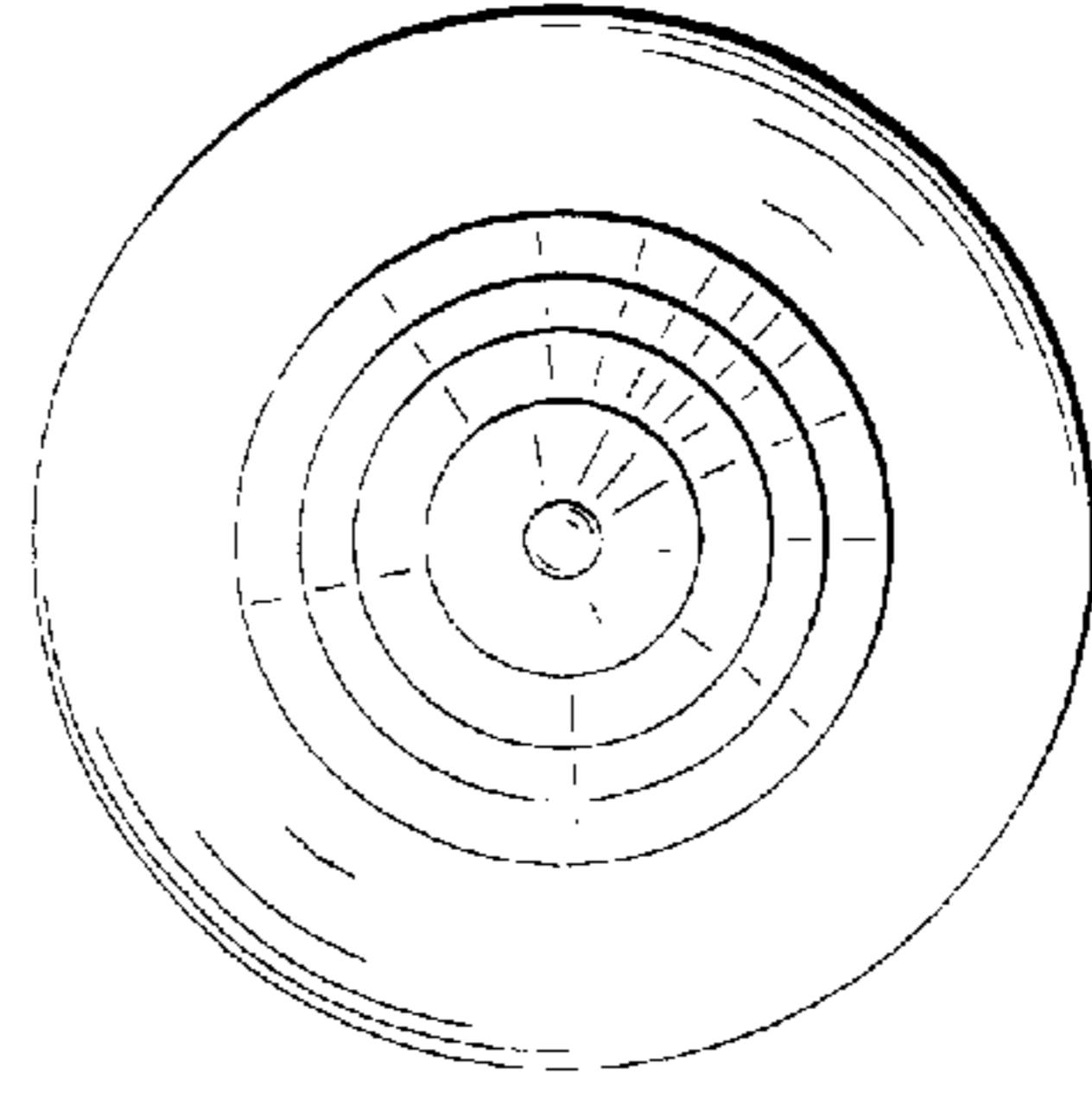


FIG. 5