



US00D406074S

United States Patent [19] Hu

[11] **Patent Number: Des. 406,074**

[45] **Date of Patent: **Feb. 23, 1999**

[54] **ELECTRONIC SIREN**

D. 345,317 3/1994 Ossa D10/120
D. 382,221 8/1997 Chen D10/120
D. 397,636 9/1998 Chu D10/120

[75] Inventor: **Hsin-Kai Hu**, Taipei Hsien, Taiwan

[73] Assignee: **Alertek Corporation**, Taipei, Taiwan

Primary Examiner—Marcus A. Jackson
Attorney, Agent, or Firm—Bacon & Thomas, PLLC

[**] Term: **14 Years**

[57] **CLAIM**

[21] Appl. No.: **89,202**

The ornamental design for an electronic siren, as shown and described.

[22] Filed: **Jun. 9, 1998**

[30] **Foreign Application Priority Data**

DESCRIPTION

May 13, 1998 [TW] Taiwan 87303532

FIG. 1 is a perspective view of an electronic siren showing my new design;

[51] **LOC (6) Cl.** **10-05**

FIG. 2 is a front elevation view thereof;

[52] **U.S. Cl.** **D10/120**

FIG. 3 is a rear elevation view thereof;

[58] **Field of Search** D10/104, 116,
D10/119, 120, 121; 340/384.1, 384.3, 387.7,
388.1, 390.1, 391.1, 392.2, 392.4

FIG. 4 is a left side elevation view thereof;

FIG. 5 is a right side elevation view thereof;

FIG. 6 is a top plan view thereof; and,

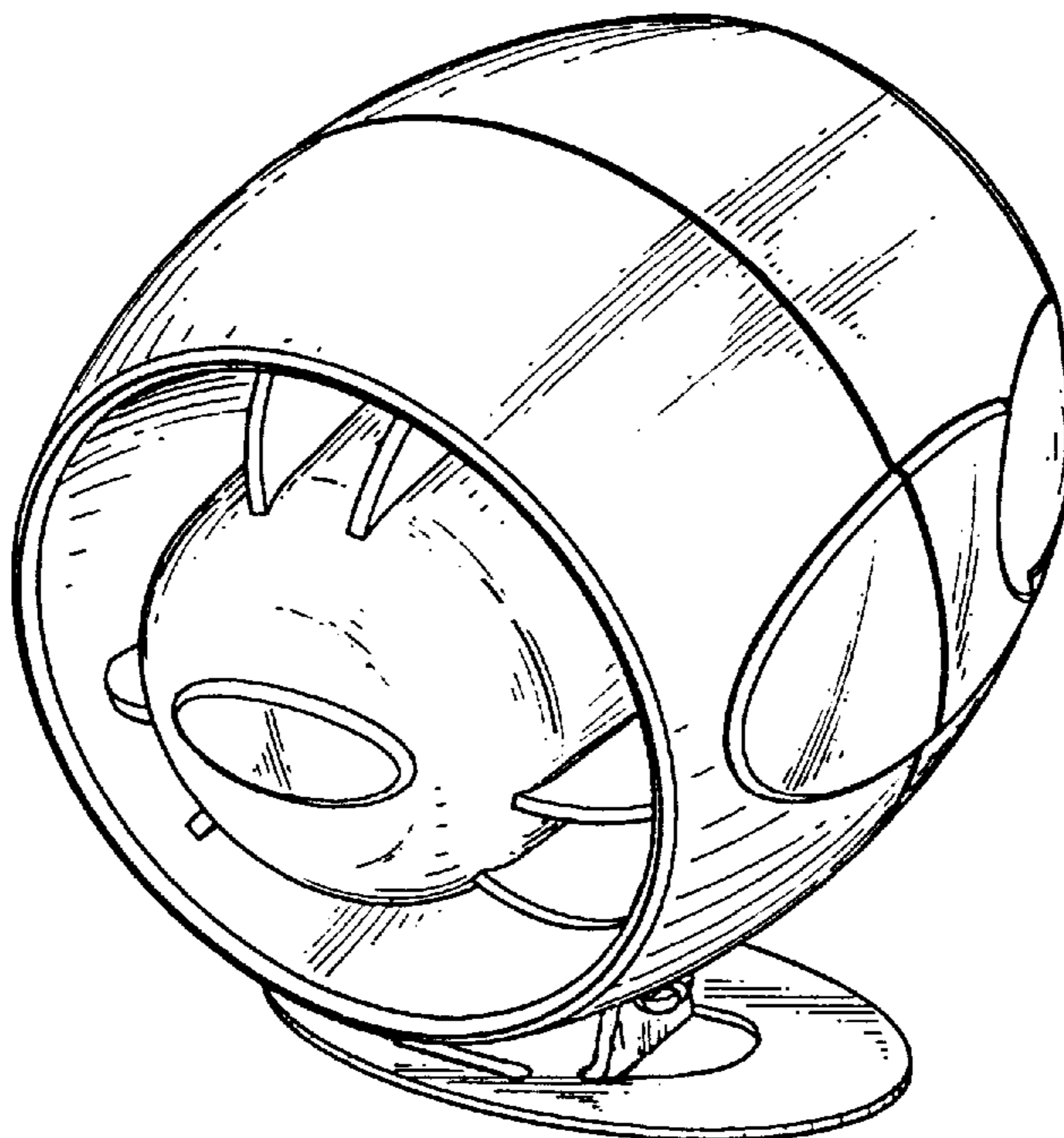
FIG. 7 is a bottom plan view thereof.

[56] **References Cited**

U.S. PATENT DOCUMENTS

D. 275,843 10/1984 Sharenow D10/120

1 Claim, 4 Drawing Sheets



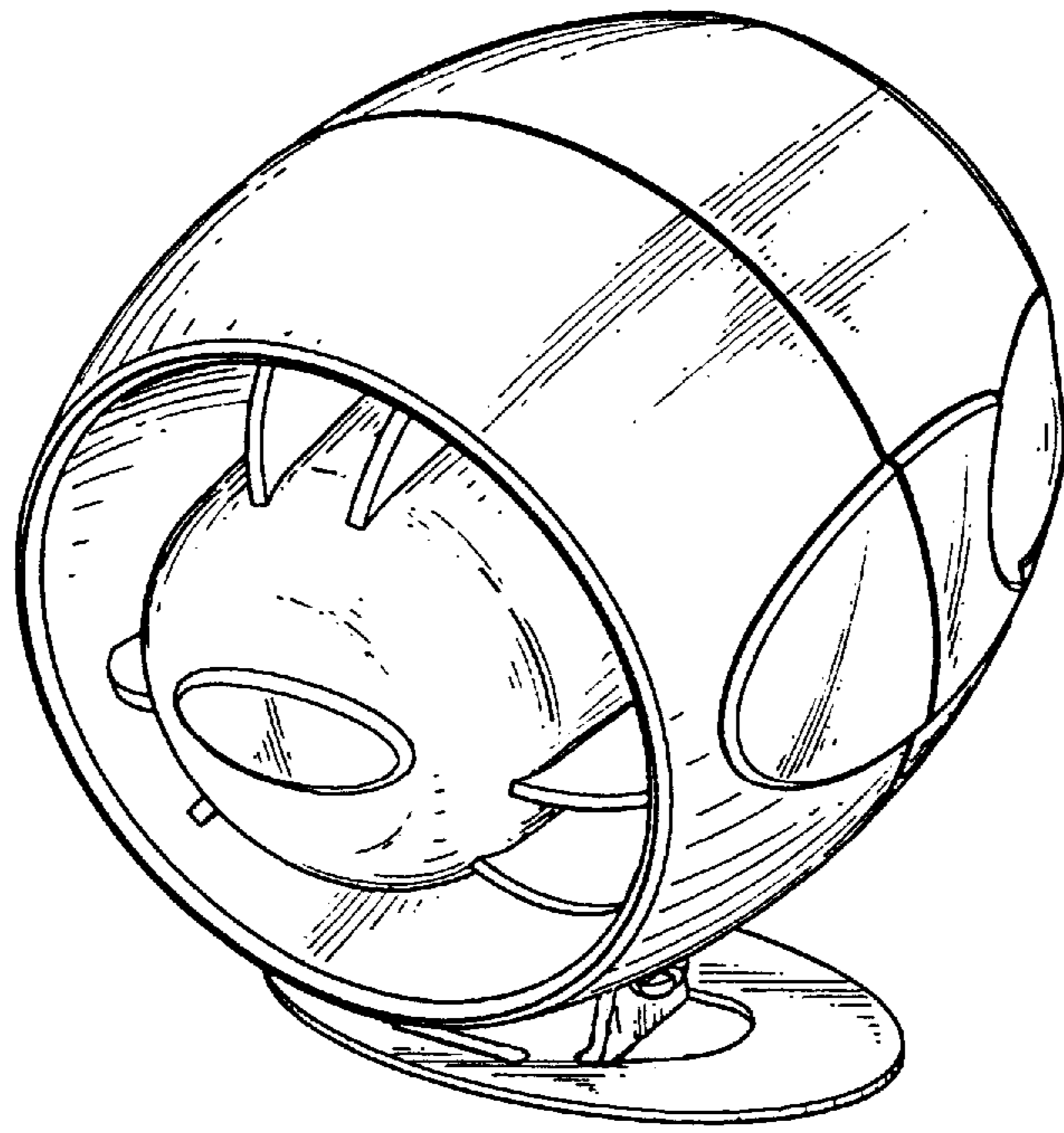


FIG. 1

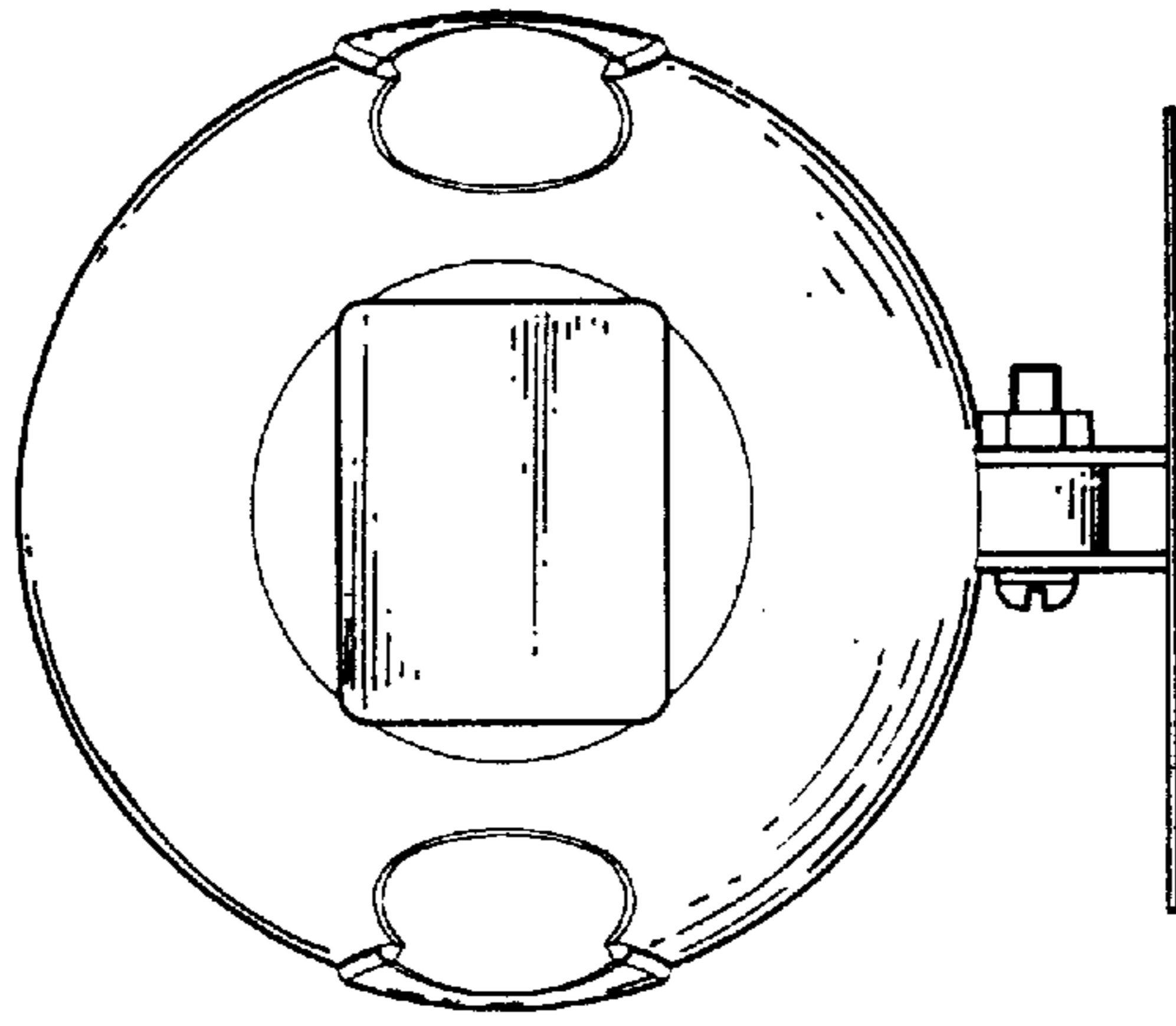


FIG. 3

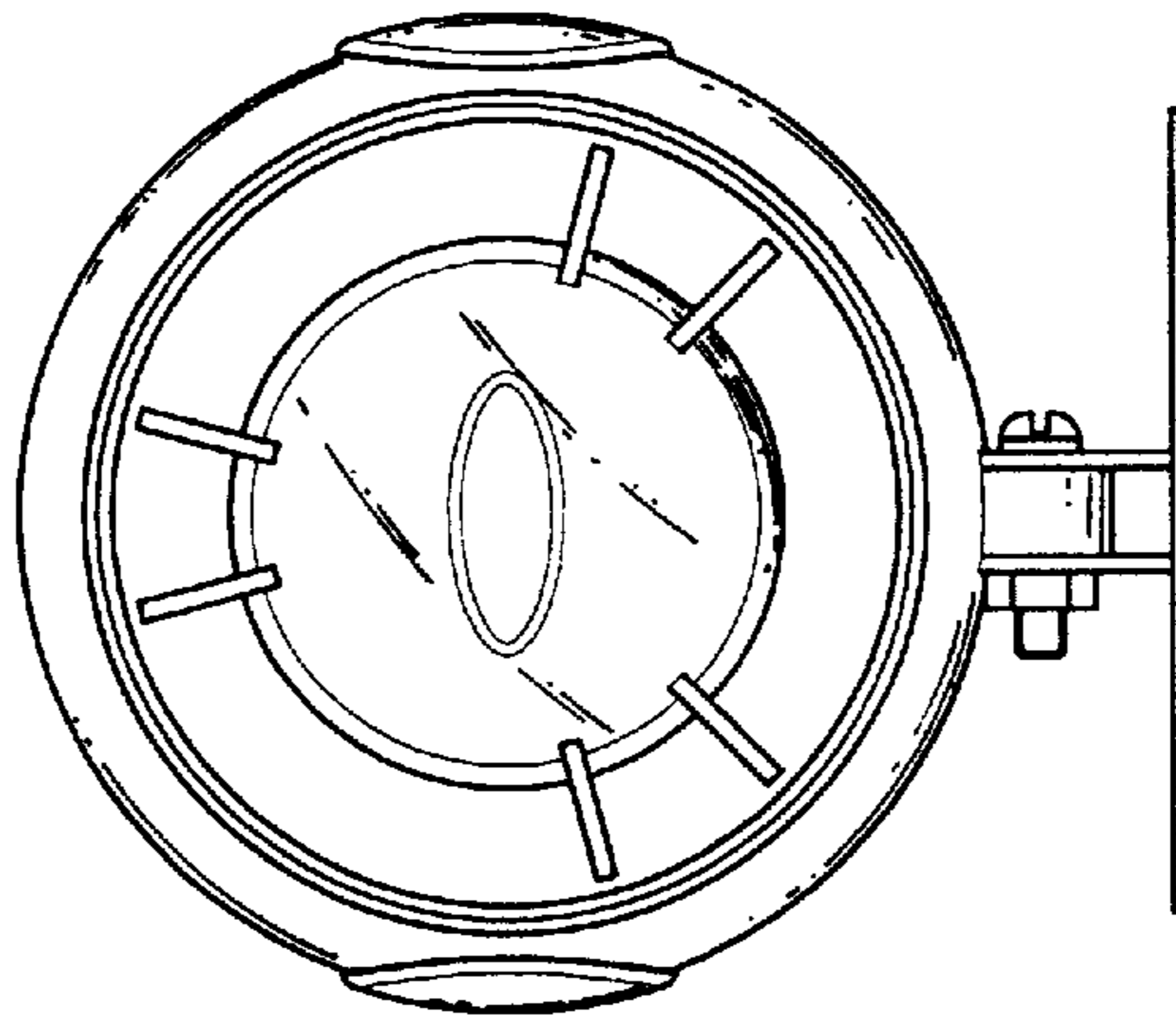


FIG. 2

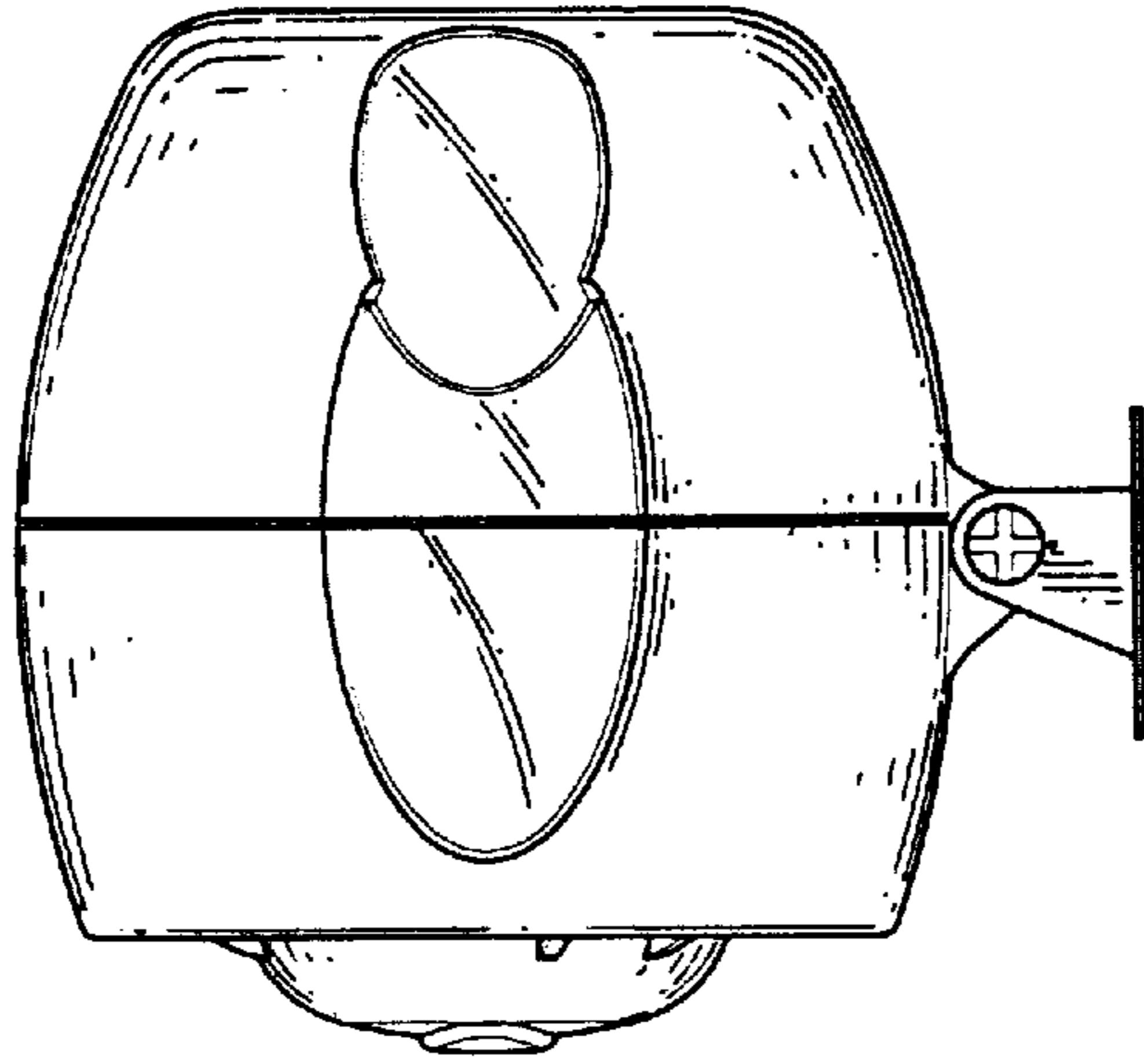


FIG. 5

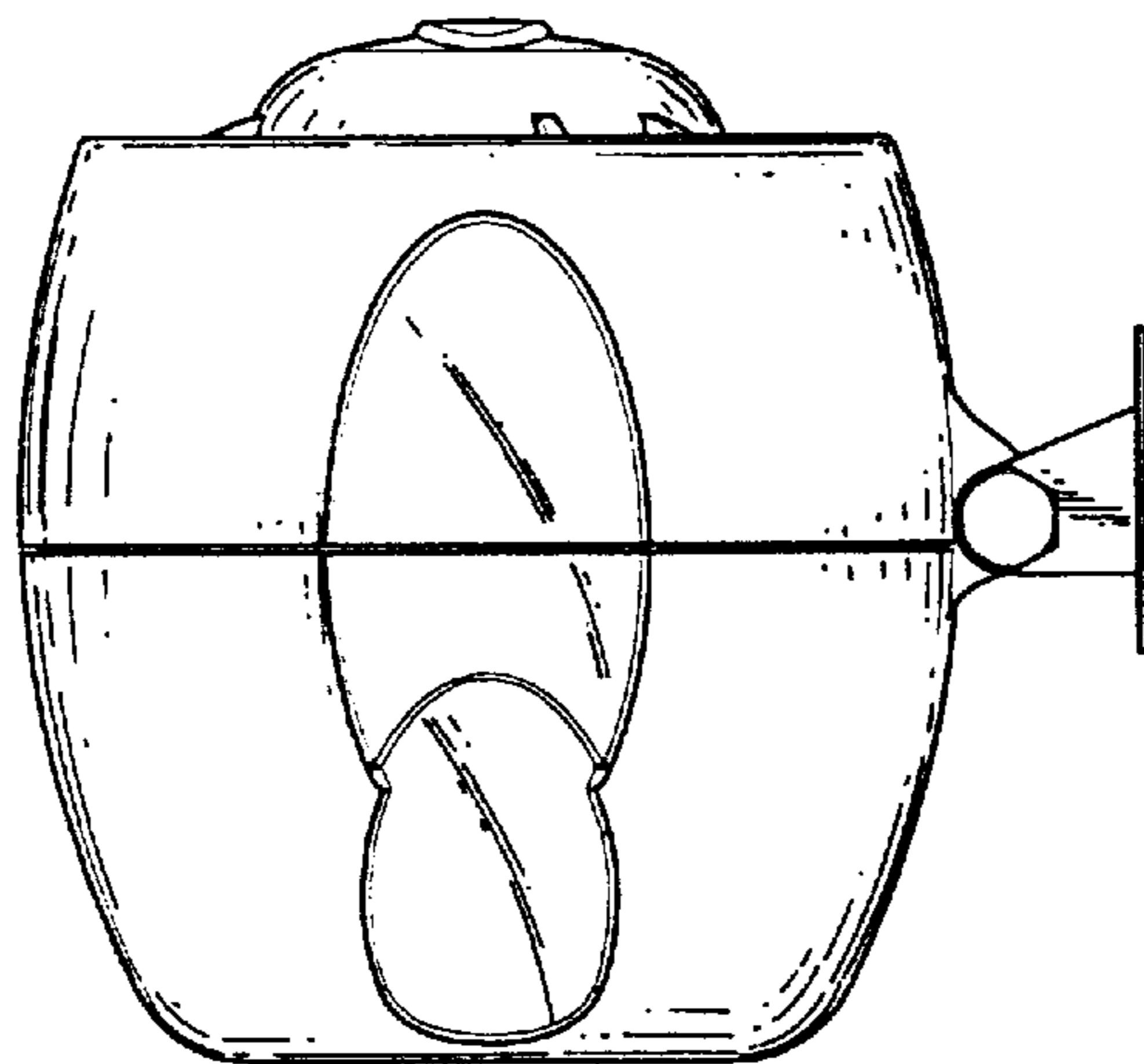


FIG. 4

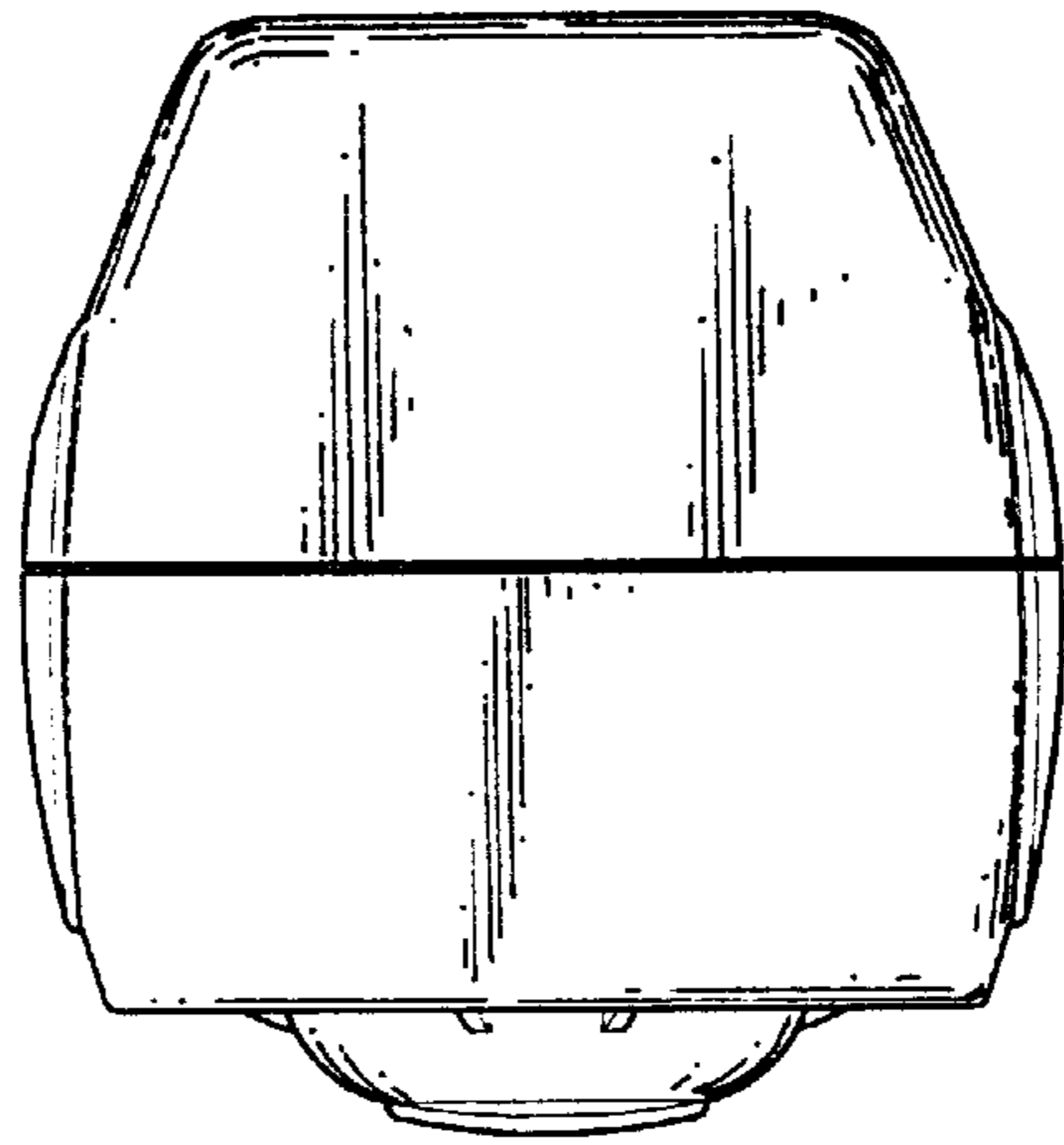


FIG. 6

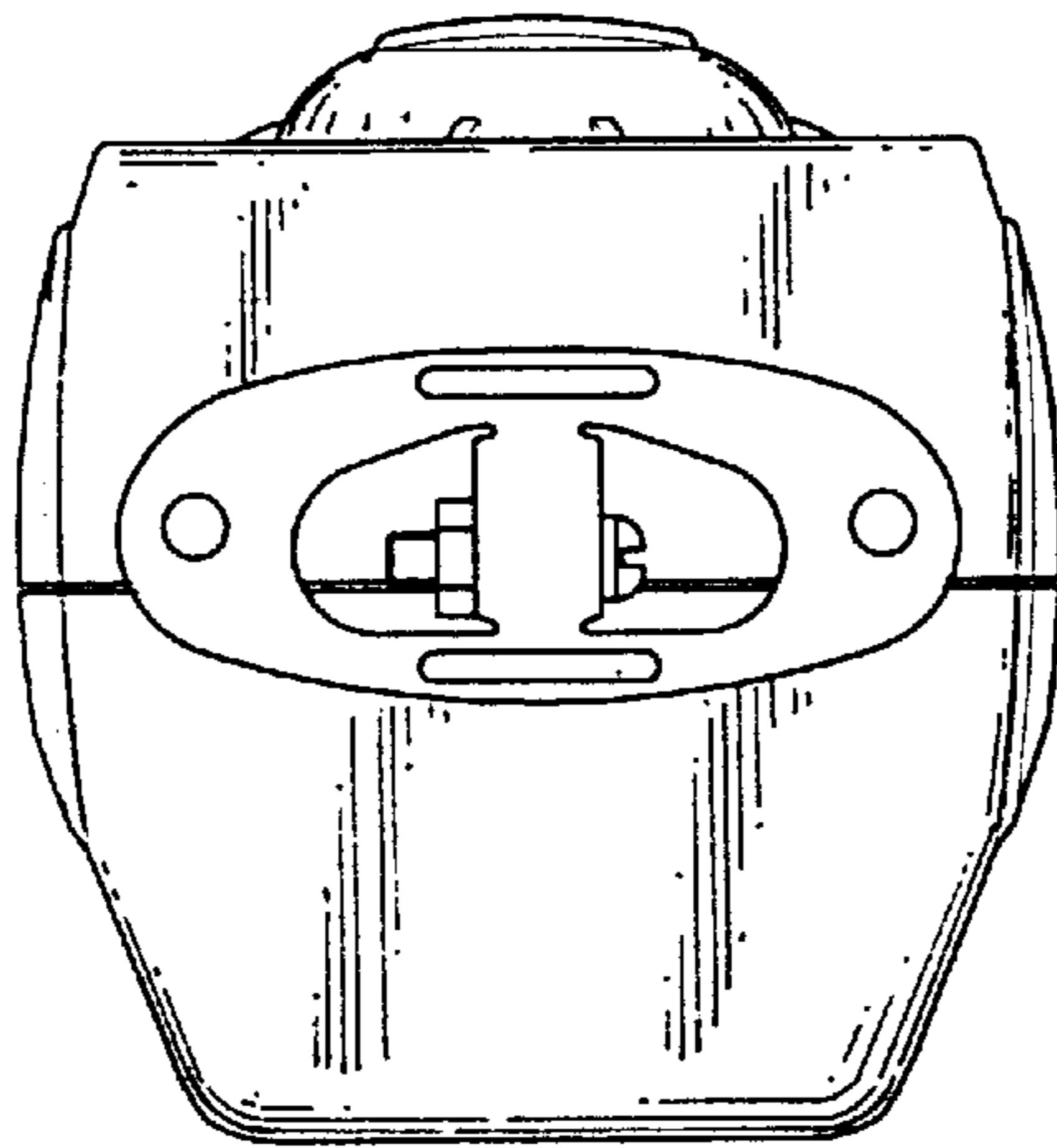


FIG. 7