



US00D406073S

**United States Patent** [19]  
**Clemons**

[11] **Patent Number: Des. 406,073**

[45] **Date of Patent: \*\*Feb. 23, 1999**

[54] **TRANSMITTER AND RECEIVER FOR AN ELECTRONIC CHILD MONITOR**

D. 385,502 10/1997 Zanga ..... D10/104  
D. 388,720 1/1998 Montgomery ..... D10/104  
D. 388,721 1/1998 Kinner ..... D10/104  
D. 391,508 3/1998 Zucas ..... D10/104

[76] Inventor: **Eric Duane Clemons**, 326 S. Esplande La., Stafford, Tex. 77477

*Primary Examiner*—Marcus A. Jackson

[\*\*] Term: **14 Years**

[57] **CLAIM**

[21] Appl. No.: **86,079**

The ornamental design for a transmitter and receiver for a electronic child monitor, as shown.

[22] Filed: **Apr. 3, 1998**

**DESCRIPTION**

[51] **LOC (6) Cl.** ..... **10-05**

[52] **U.S. Cl.** ..... **D10/104; D14/155**

[58] **Field of Search** ..... D10/104, 106, D10/116, 121; D14/155; 340/328, 571, 572, 573, 689

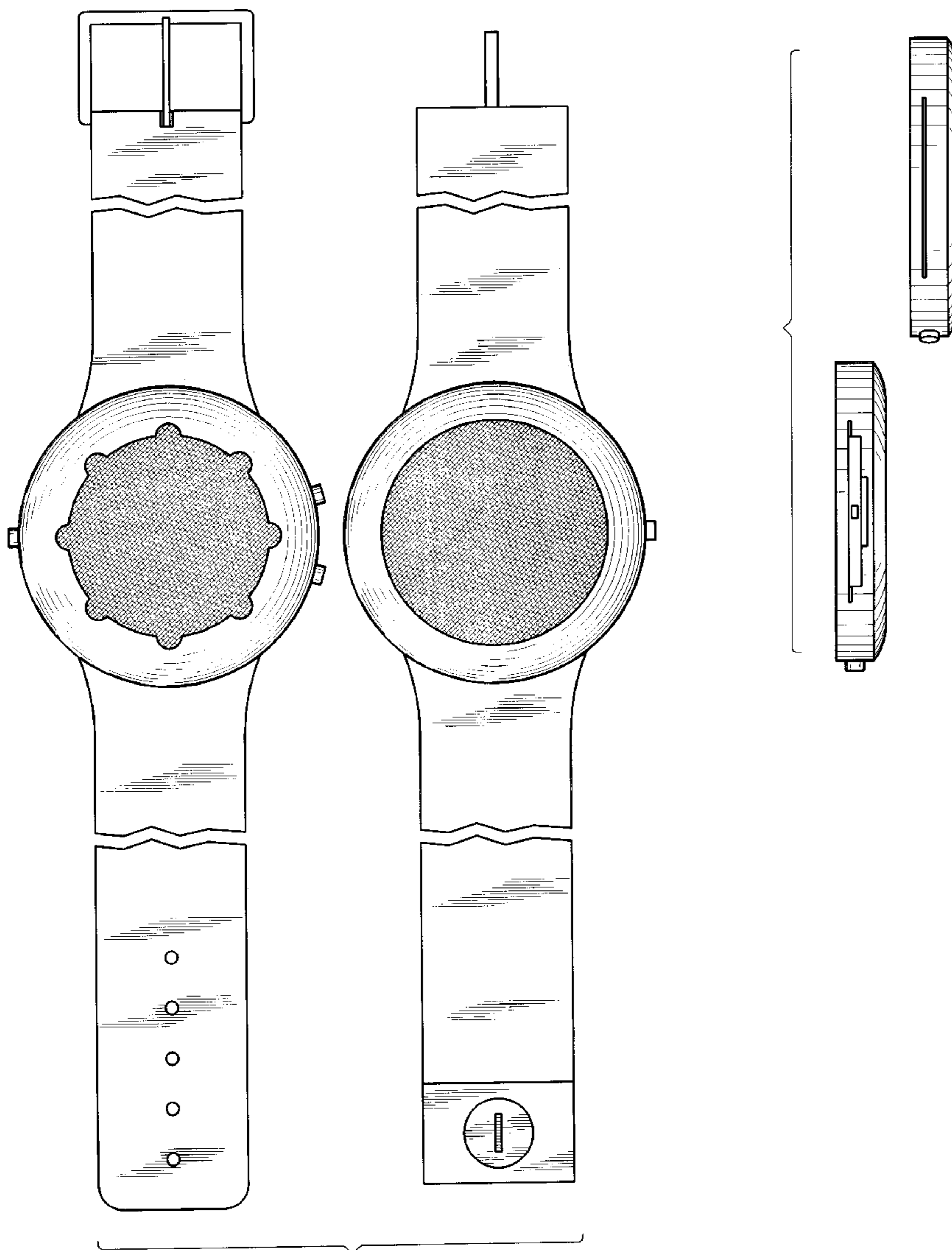
FIG. 1 is a front elevational view;  
FIG. 2 is a rear elevational view;  
FIG. 3 is a left side elevational view;  
FIG. 4 is a right side elevational view;  
FIG. 5 is a top plan view; and,  
FIG. 6 is a bottom plan view.

[56] **References Cited**

**U.S. PATENT DOCUMENTS**

D. 381,922 8/1997 Casperson ..... D10/104

**1 Claim, 4 Drawing Sheets**



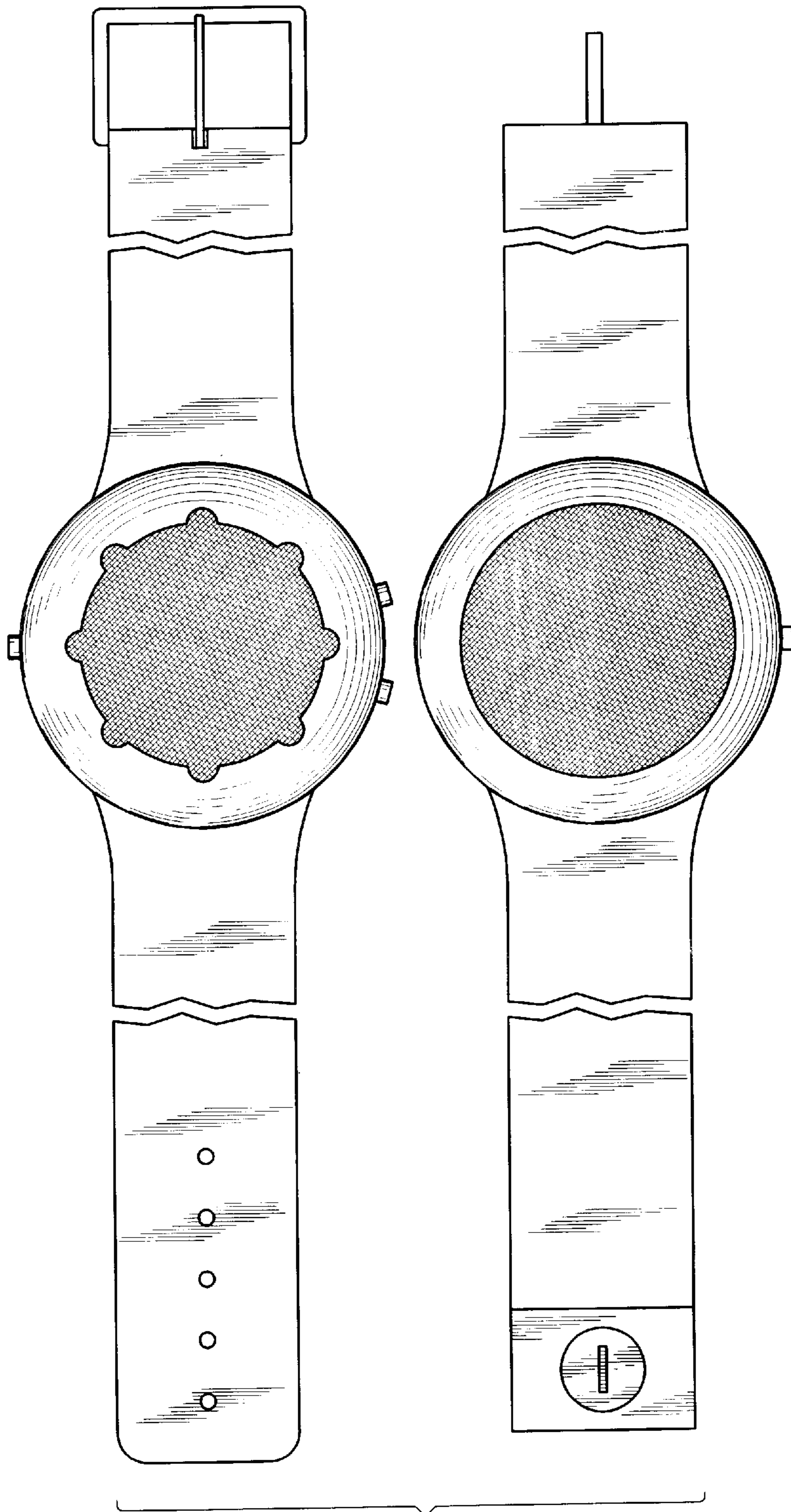


FIG. 1

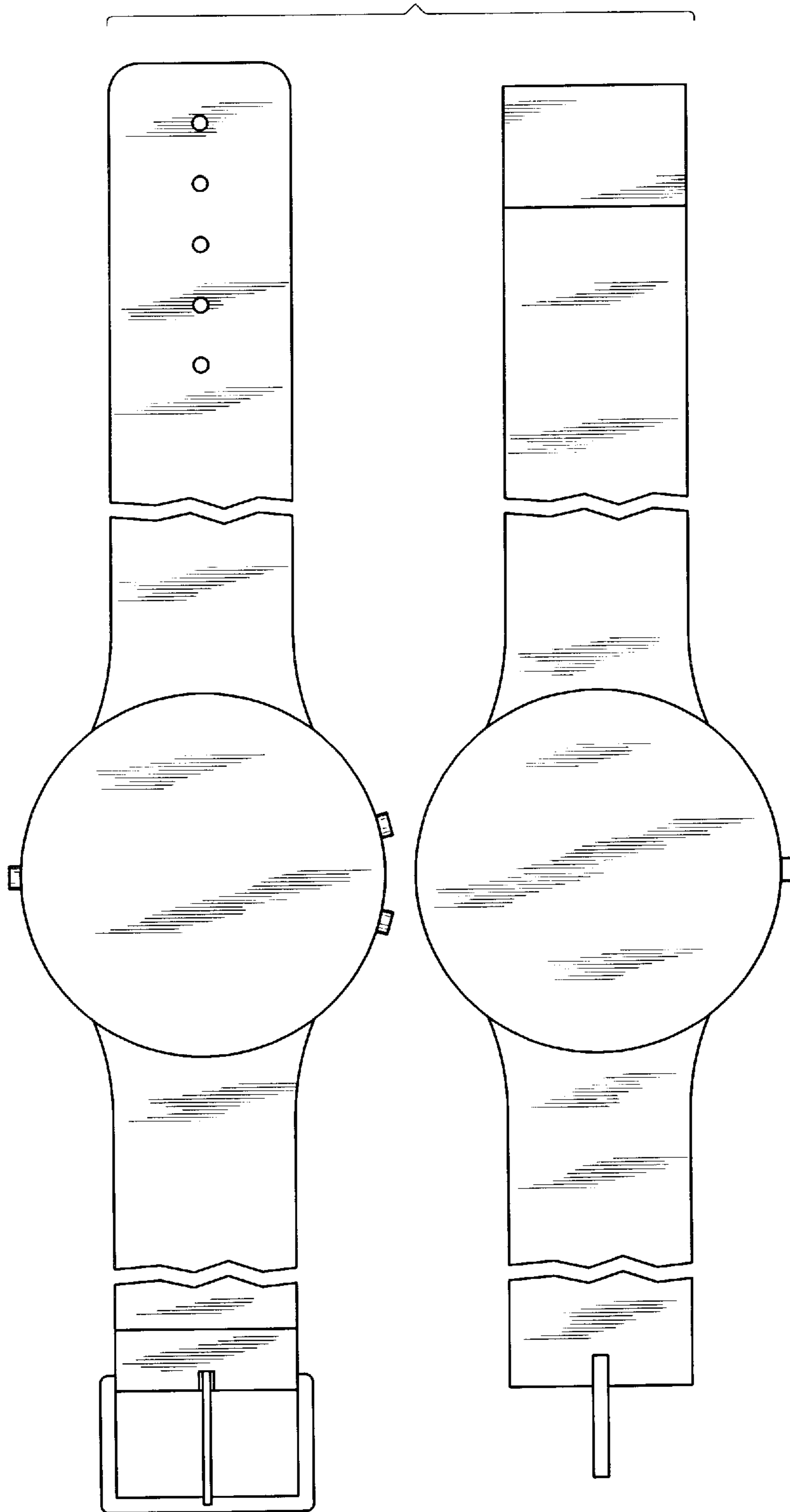


FIG. 2

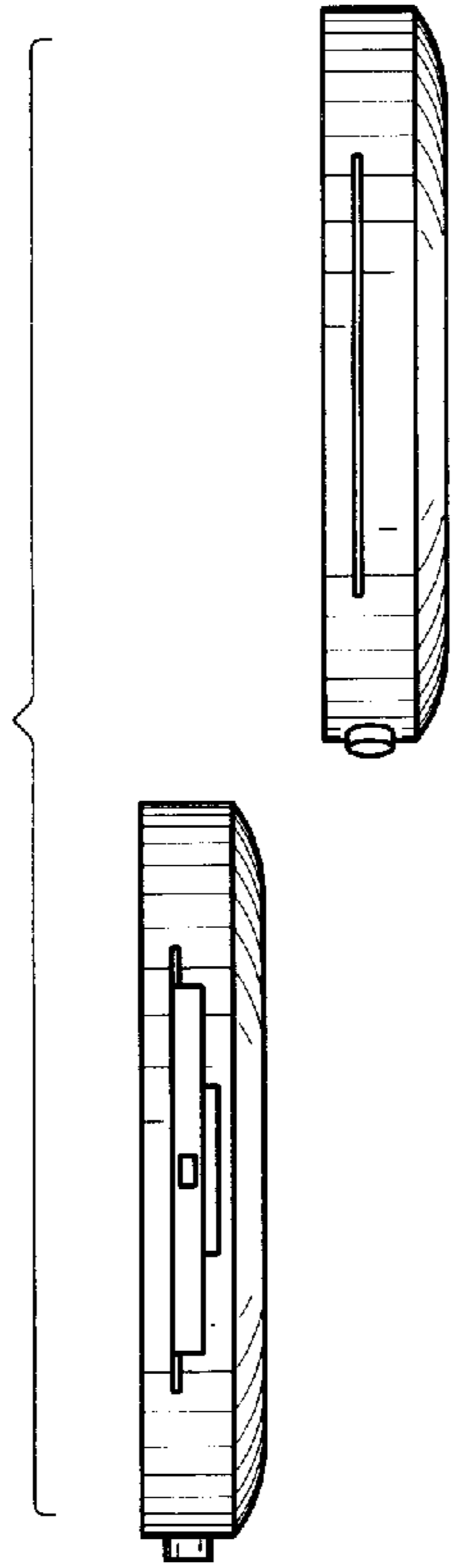


FIG. 3

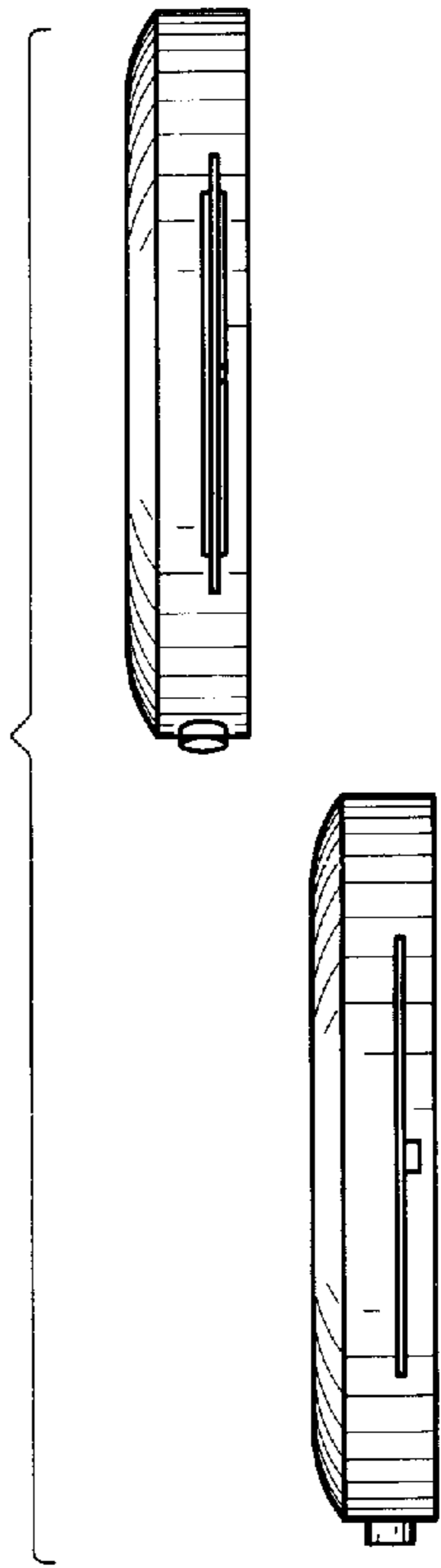


FIG. 4

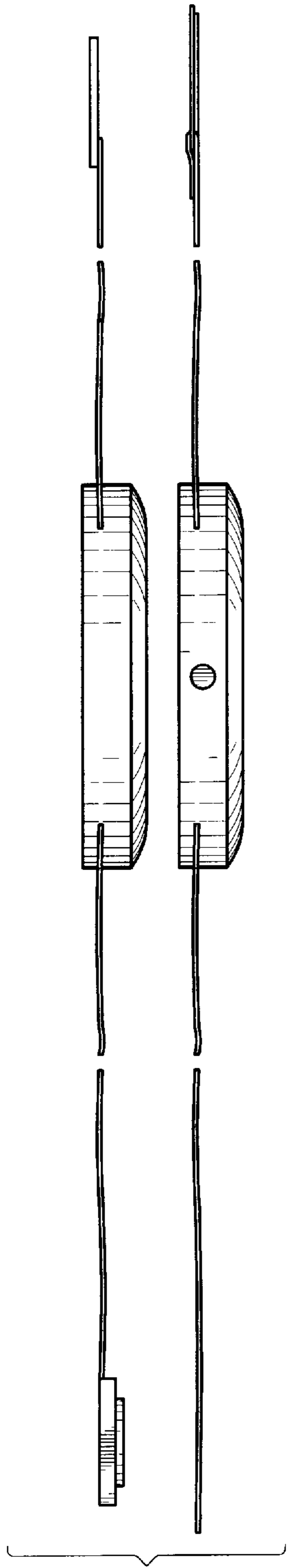


FIG. 5

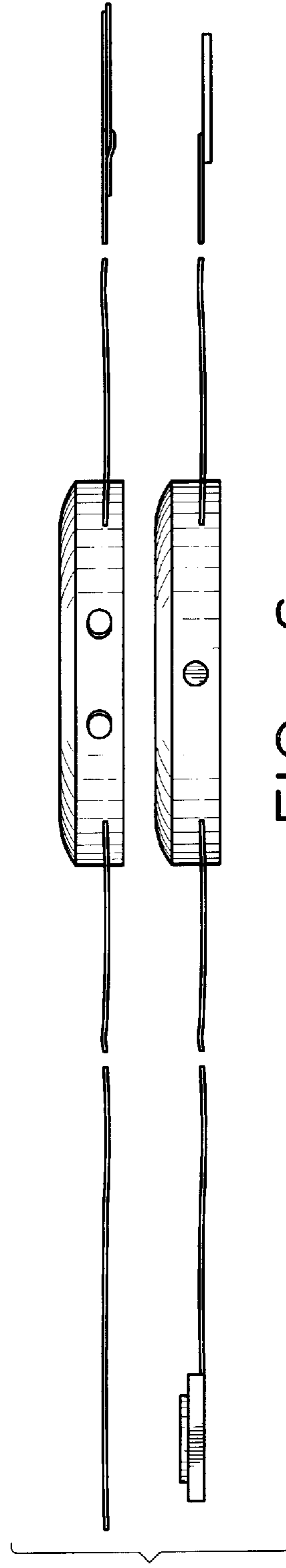


FIG. 6