



US00D406072S

United States Patent [19]

[11] **Patent Number: Des. 406,072**

Houck et al.

[45] **Date of Patent: **Feb. 23, 1999**

[54] **ELECTRIC UTILITY METER**

OTHER PUBLICATIONS

[75] Inventors: **Thomas P. Houck**, West Lafayette;
John T. Voisine; **Charles Bolam**, both
of Lafayette, all of Ind.

Alpha™ Solid State Polyphase Meter (WATTS, VARS, VA)
Published May 1992 in ABB Power T&D Company, Inc.

[73] Assignee: **Siemens Power Transmission &
Distribution, LLC**, Wendell, N.C.

Primary Examiner—Antoine Duval Davis
Attorney, Agent, or Firm—Maginot, Addison & Moore

[**] Term: **14 Years**

[57] **CLAIM**

[21] Appl. No.: **81,413**

The ornamental design for an electric utility meter, as shown
and described.

[22] Filed: **Dec. 31, 1997**

DESCRIPTION

[51] **LOC (6) Cl. 10-04**

FIG. 1 is right front perspective view of our new design for
an electric utility meter;

[52] **U.S. Cl. D10/100**

FIG. 2 is a back elevational view of the electric utility meter
of FIG. 1;

[58] **Field of Search D10/100, 103;
324/140-142, 156**

FIG. 3 is a right side view of the electric utility meter of FIG.
1;

[56] **References Cited**

U.S. PATENT DOCUMENTS

2,047,384	7/1936	Richterkessing	173/328
3,355,630	11/1967	Orr	317/104
4,175,813	11/1979	Mentesana	339/36
4,258,968	3/1981	Holt	339/14 L
4,791,362	12/1988	Philpot	324/142
5,039,936	8/1991	Gonzales	324/108
5,041,001	8/1991	Giles	439/189
5,089,771	2/1992	Tanguay et al.	324/142
5,097,383	3/1992	Heard et al.	361/367
5,173,657	12/1992	Holdslaw	324/142
5,196,783	3/1993	Howell	324/110
5,315,236	5/1994	Lee	324/157

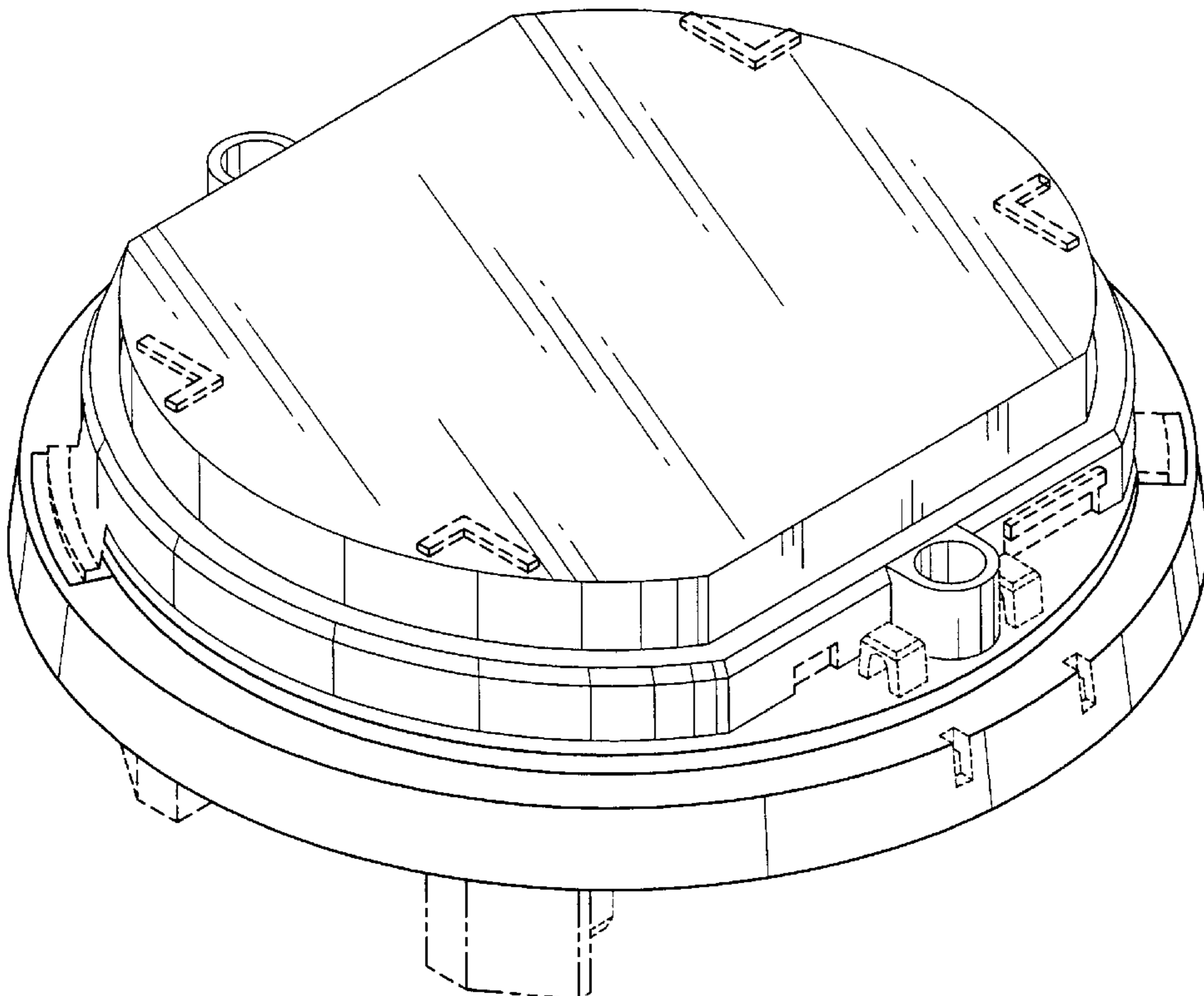
FIG. 4 is a left side view of the electric utility meter of FIG.
1;

FIG. 5 is a front view of the electric utility meter of FIG. 1;
FIG. 6 is a rear view of the electric utility meter of FIG. 1;
and,

FIG. 7 is a top elevational view of the electric utility meter
of claim 1.

In FIGS. 1 through 7, the broken lines showing of portions
of the surface detail, the bottom support structures, the
security interlocks, and the current blades, is for illustrative
purposes only and forms no part of the claimed design.

1 Claim, 7 Drawing Sheets



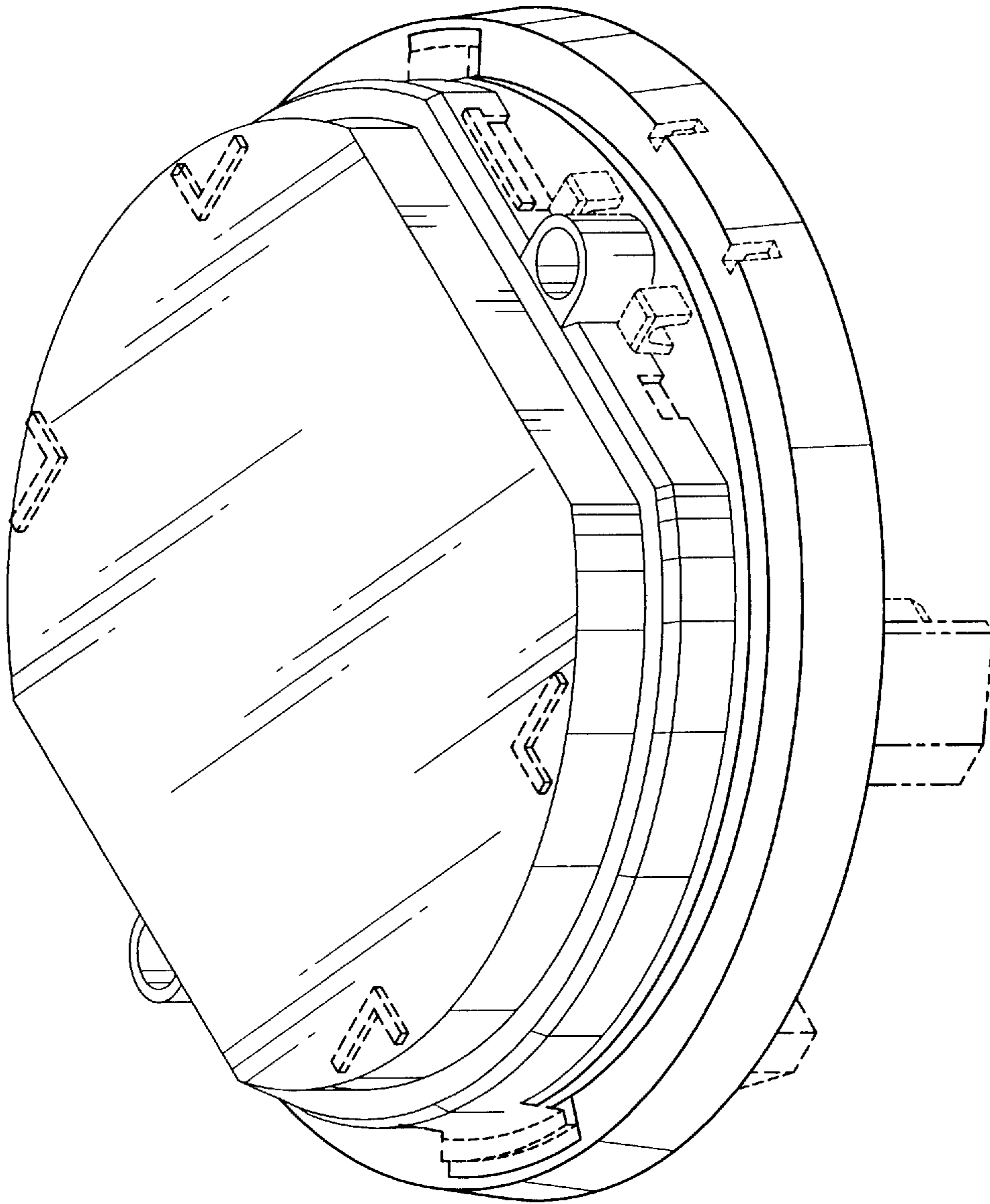


Fig. 1

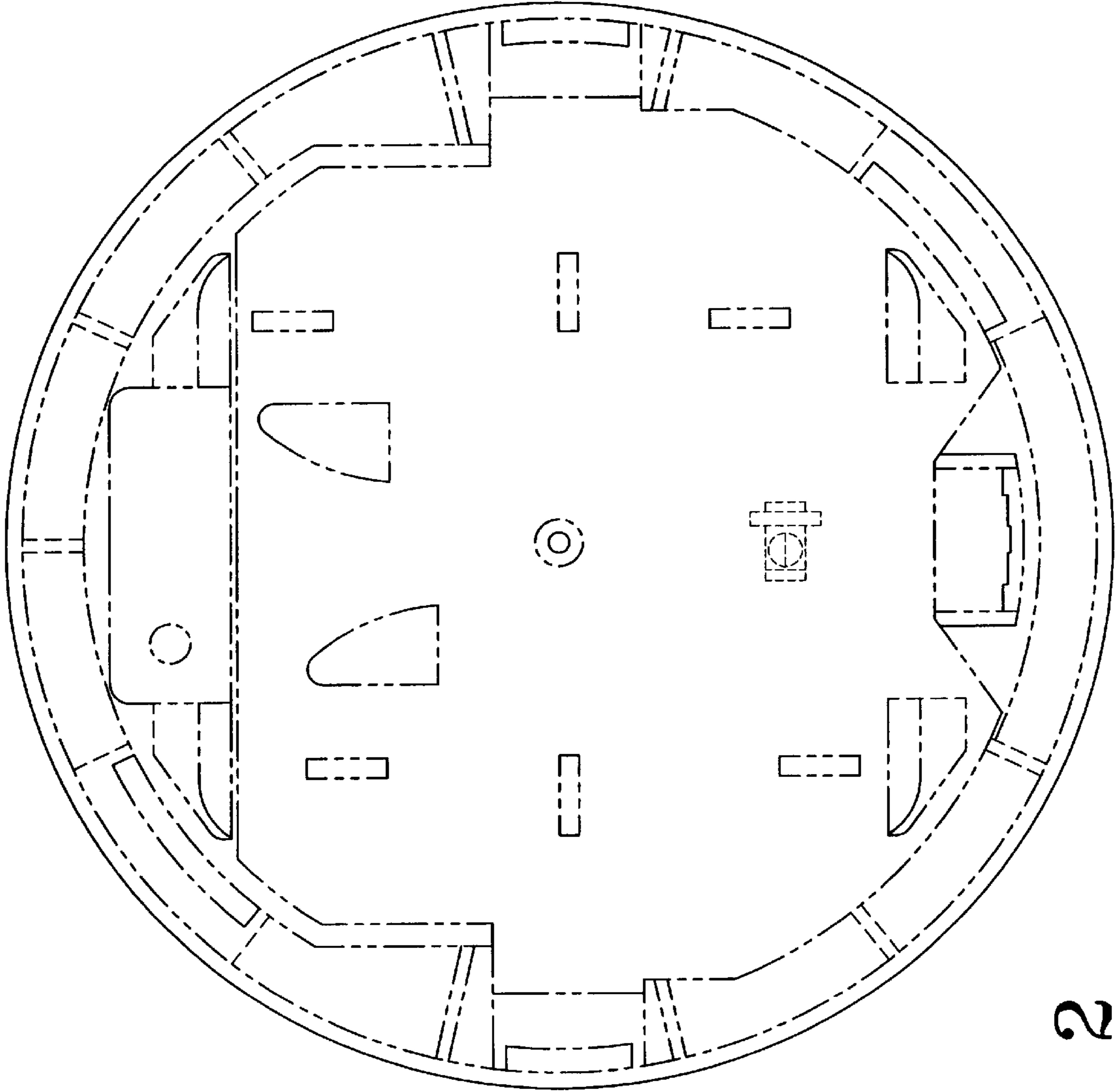


Fig. 2

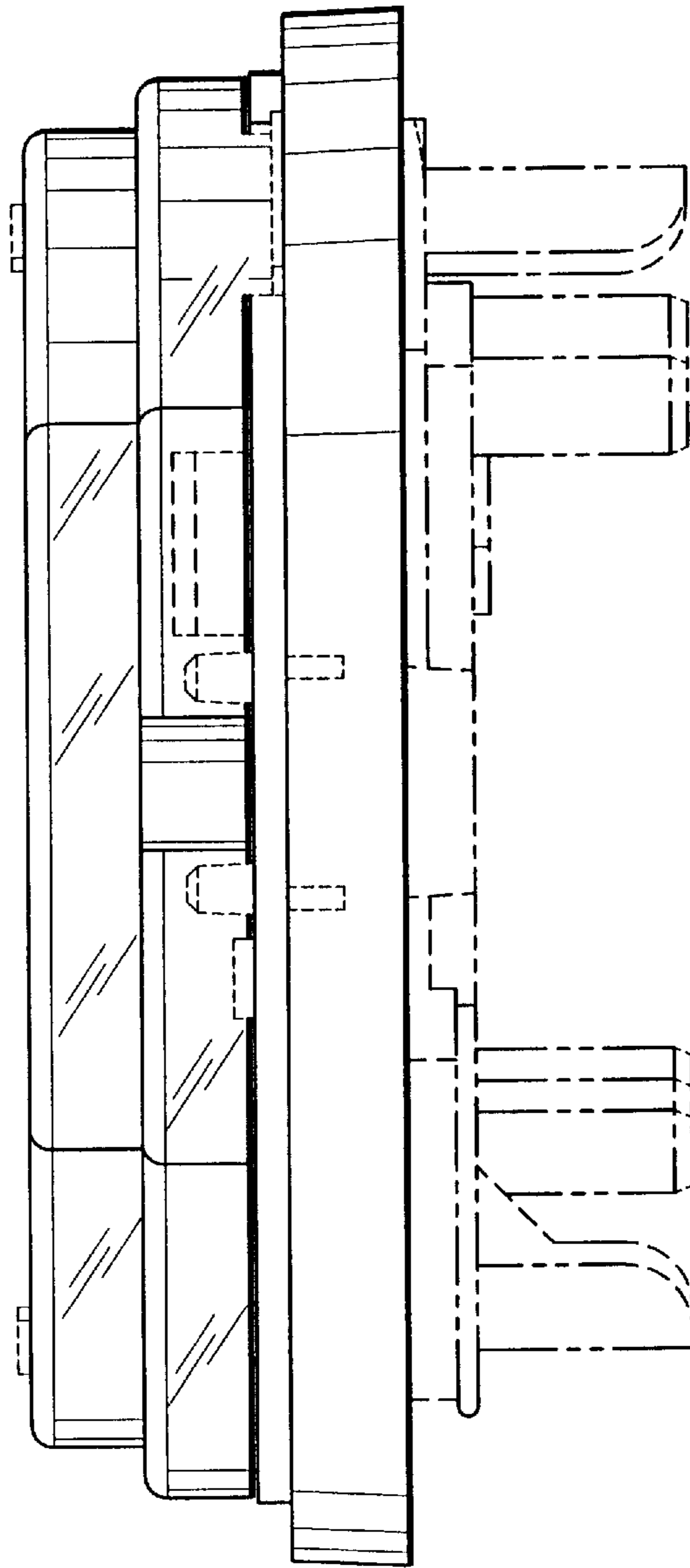


Fig. 3

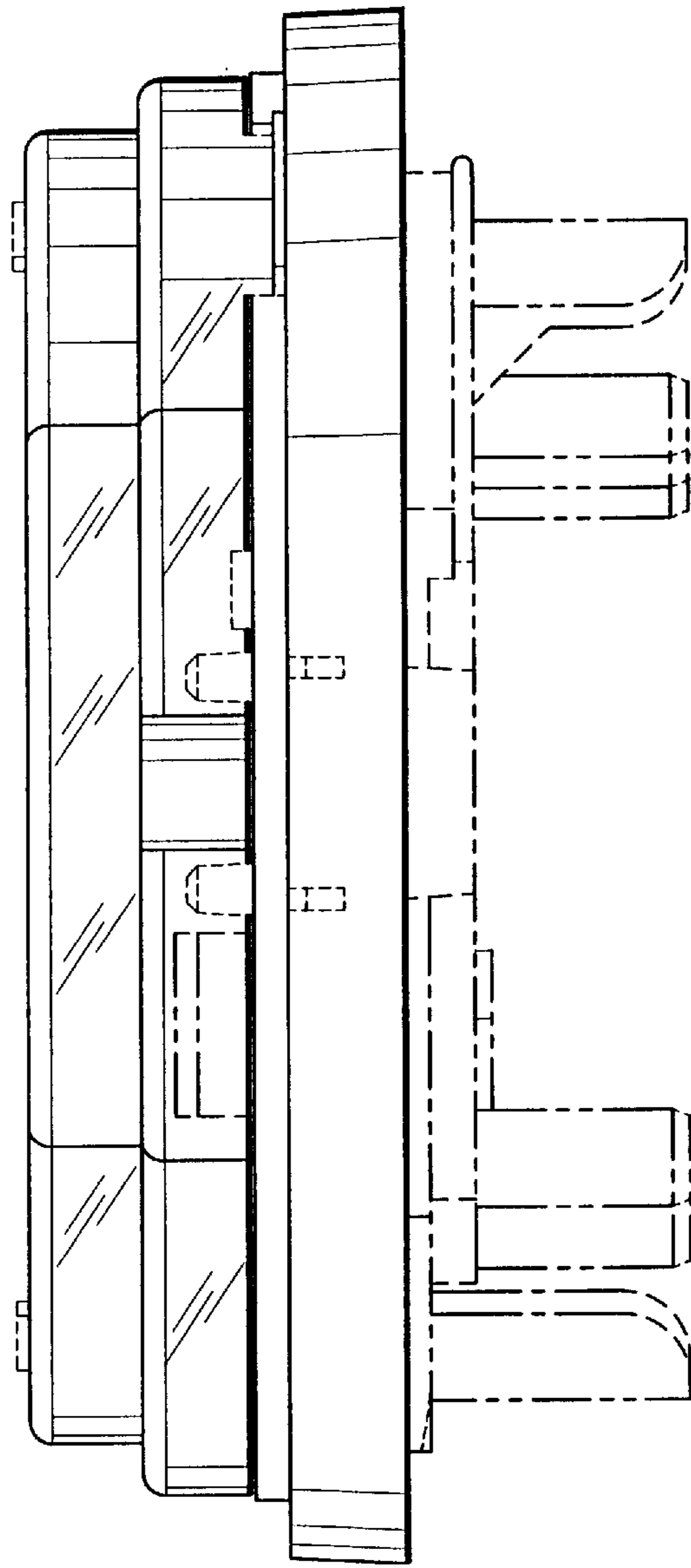


Fig. 4

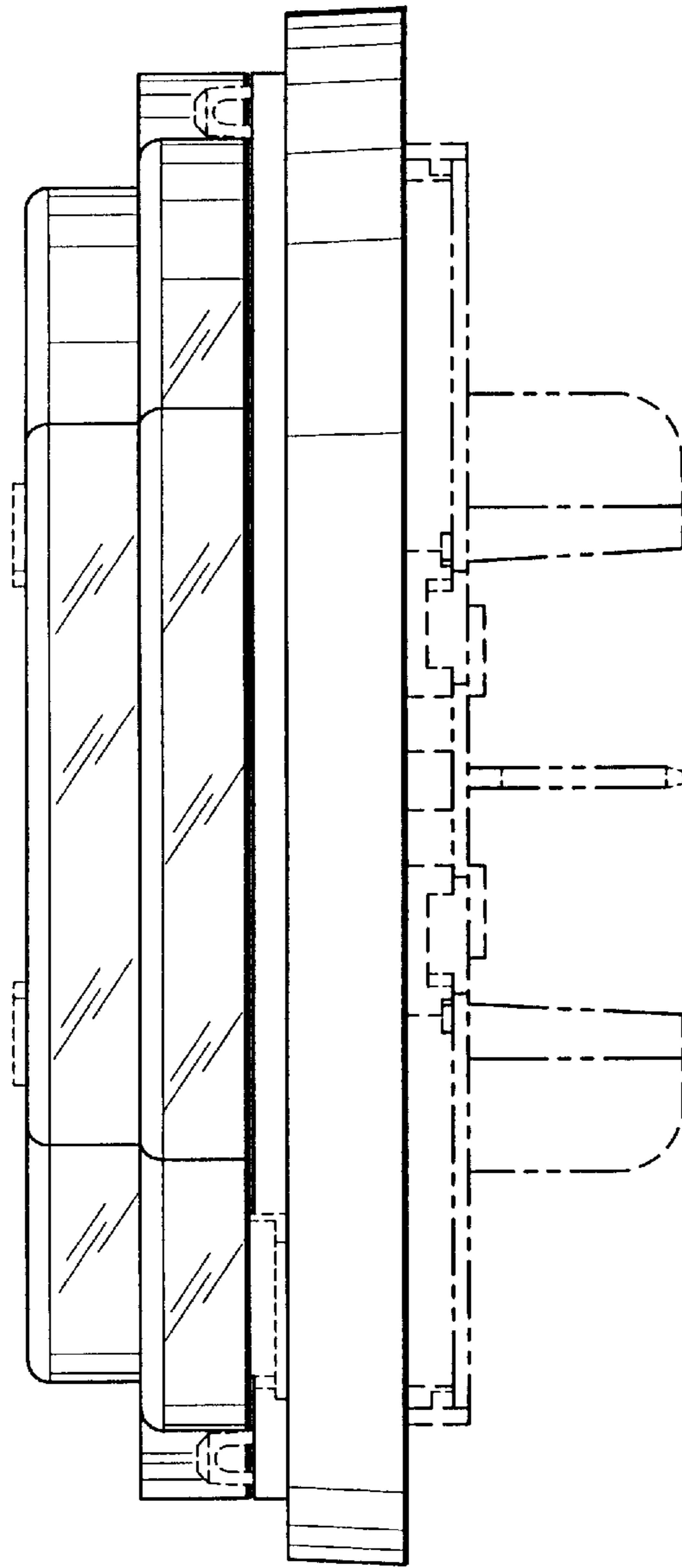


Fig. 5

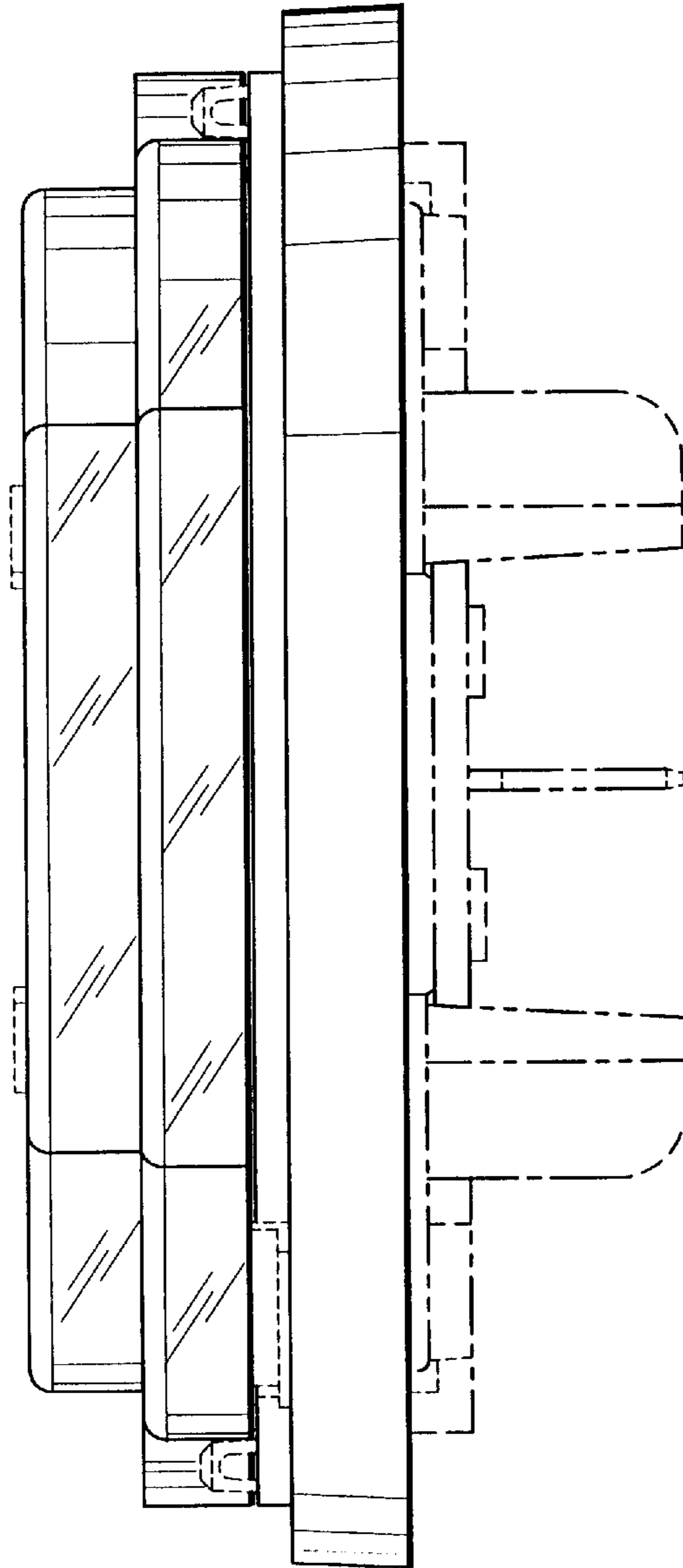


Fig. 6

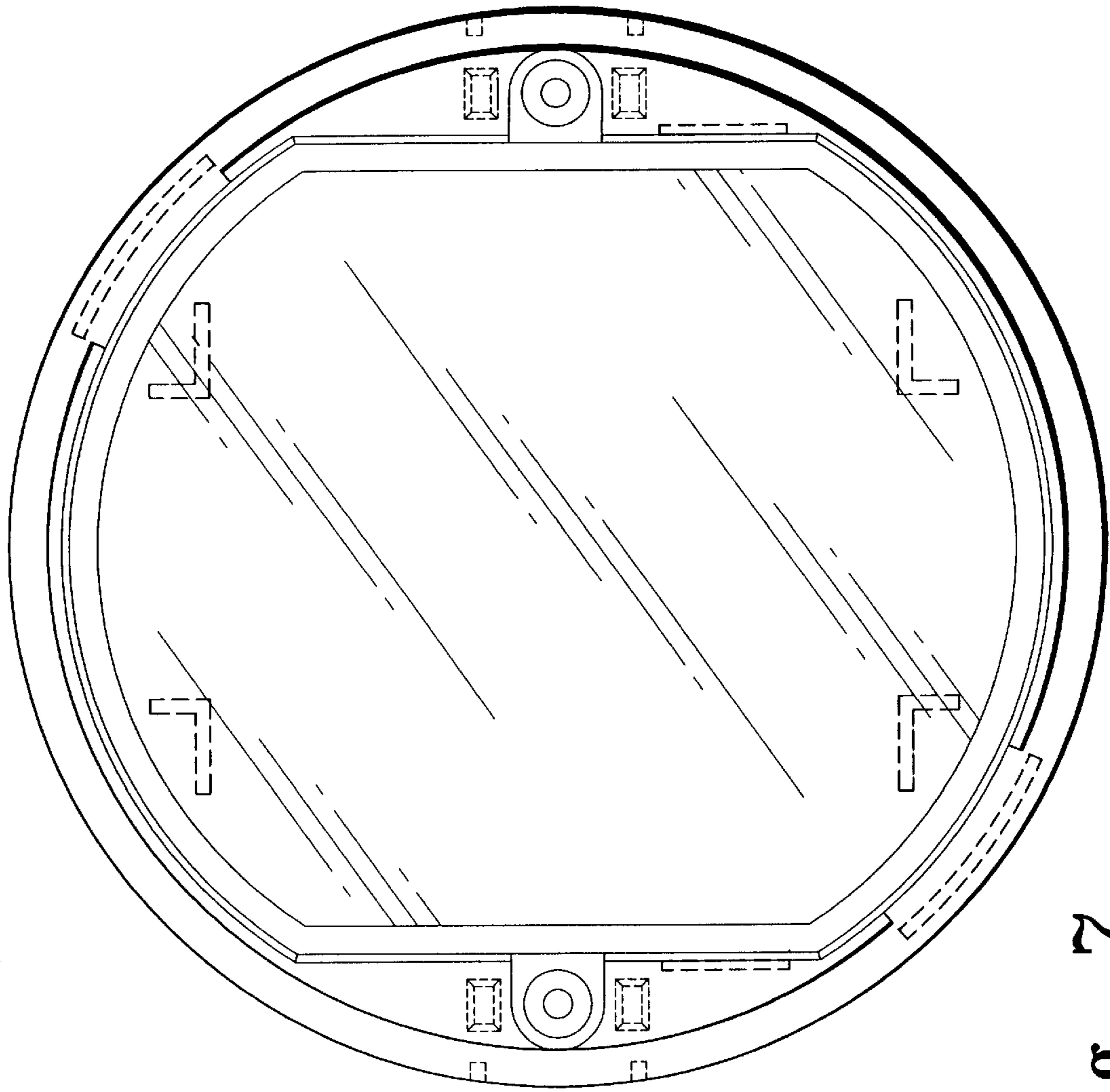


Fig. 7