



US00D406069S

# United States Patent [19] Boyce

[11] Patent Number: Des. 406,069

[45] Date of Patent: \*\*Feb. 23, 1999

[54] INSTALLATION TOOL FOR LAP SIDING

[76] Inventor: Jonathan Boyce, 770 Linwood Rd.,  
Memphis, Tenn. 38116

[\*\*] Term: 14 Years

[21] Appl. No.: 70,632

[22] Filed: May 13, 1997

[51] LOC (6) Cl. .... 10-04

[52] U.S. Cl. .... D10/64; D8/51

[58] Field of Search ..... D10/64, 65; D8/51,  
D8/71, 106; 33/187, 411, 646-649, 567,  
567.1, 16.2; 269/43, 22, 289 MR, 1, 37,  
53, 54, 59, 101, 329, 158; 248/542

[56] **References Cited**

U.S. PATENT DOCUMENTS

D. 256,661	9/1980	Graham	.....	D8/71
302,792	7/1884	Vance	.....	33/647
D. 324,345	3/1992	Demoulied et al.	.....	D10/64
3,518,770	7/1970	Cromleigh	.....	33/646
4,164,346	8/1979	Sickler	.....	269/289 MR
4,425,714	1/1984	Kelly, Jr.	.....	
4,484,392	11/1984	DeFino et al.	.....	
4,874,156	10/1989	Goldzweig	.....	269/158
5,088,682	2/1992	Gibbs	.....	248/542

5,319,909 6/1994 Singletery .

5,370,377 12/1994 Van Der Meer .

5,408,757 4/1995 Lenz ..... 33/647

5,522,149 6/1996 Meyer ..... 33/646

Primary Examiner—Freda Nunn

Attorney, Agent, or Firm—Walker, McKenzie & Walker,  
P.C.

[57] **CLAIM**

The ornamental design for an installation tool for lap siding,  
as shown and described.

**DESCRIPTION**

FIG. 1 is a left side elevational view of an installation tool for lap siding, showing the preferred embodiment of the new design, the right side elevation being substantially a mirror image thereof;

FIG. 2 is a top plan view of the installation tool for lap siding of FIG. 1;

FIG. 3 is a bottom plan view of the installation tool for lap siding of FIG. 1;

FIG. 4 is a rear elevational view of the installation tool for lap siding of FIG. 1; and,

FIG. 5 is a front elevational of the installation tool for lap siding of FIG. 1.

1 Claim, 3 Drawing Sheets

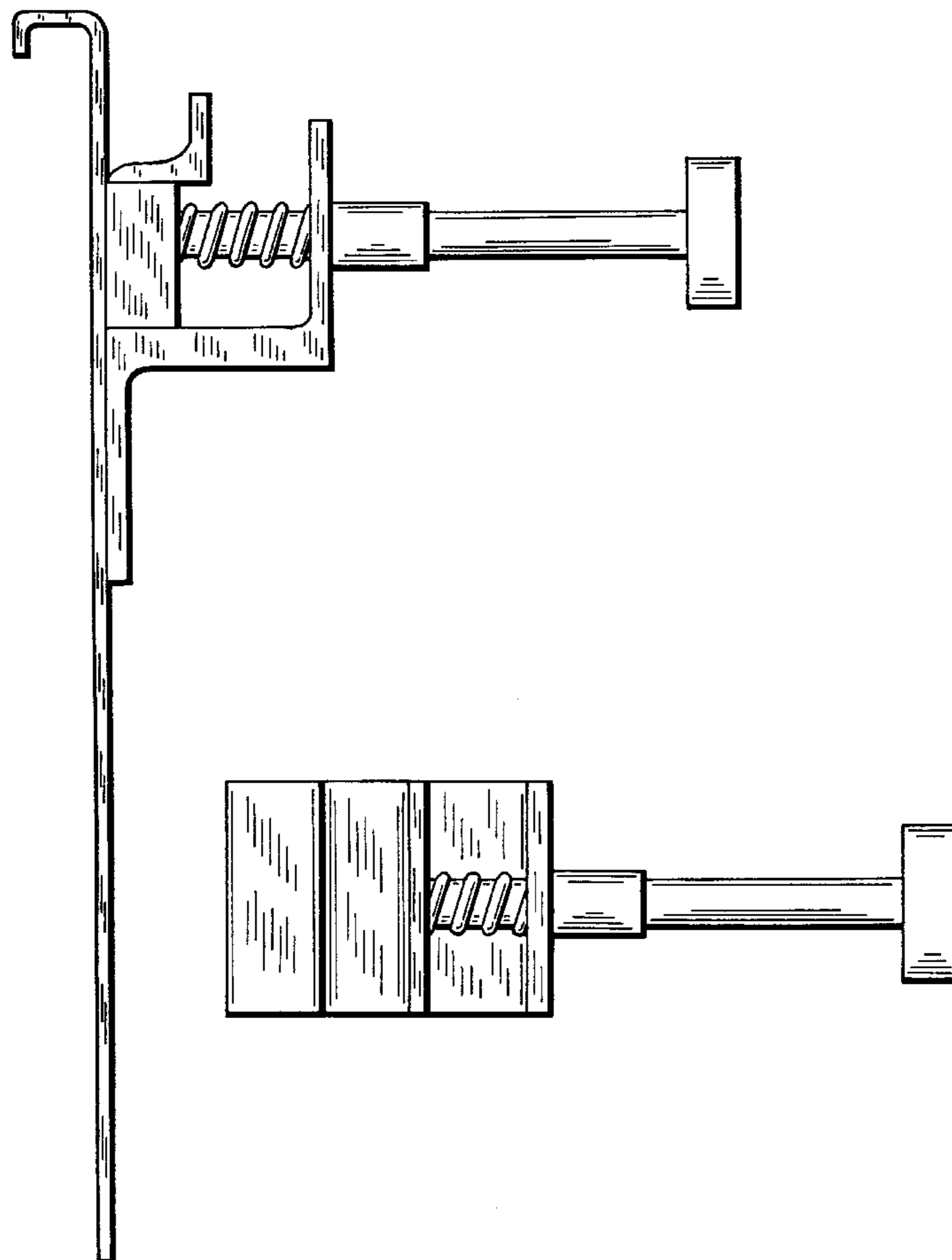


FIG. 1

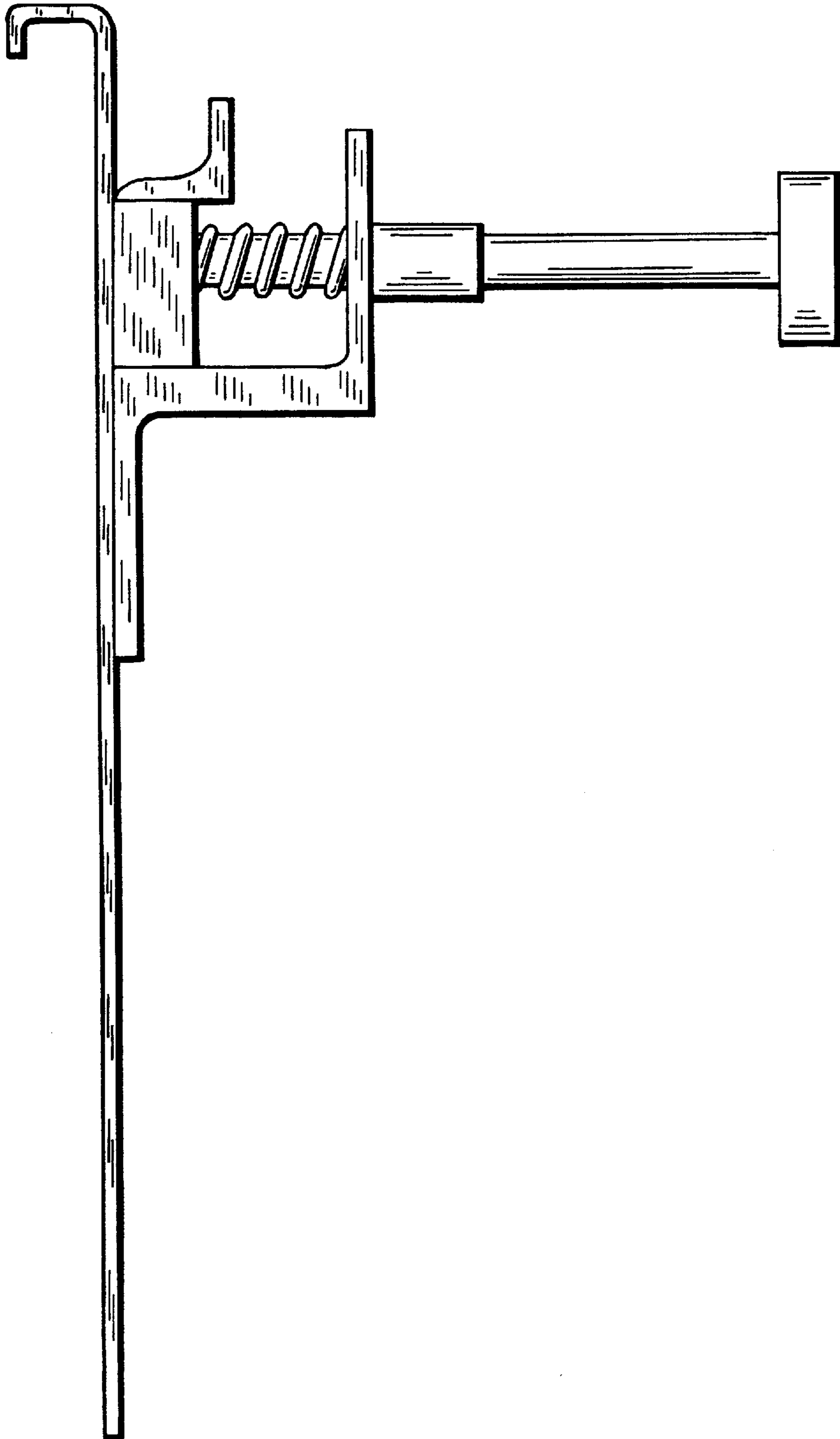


FIG. 2

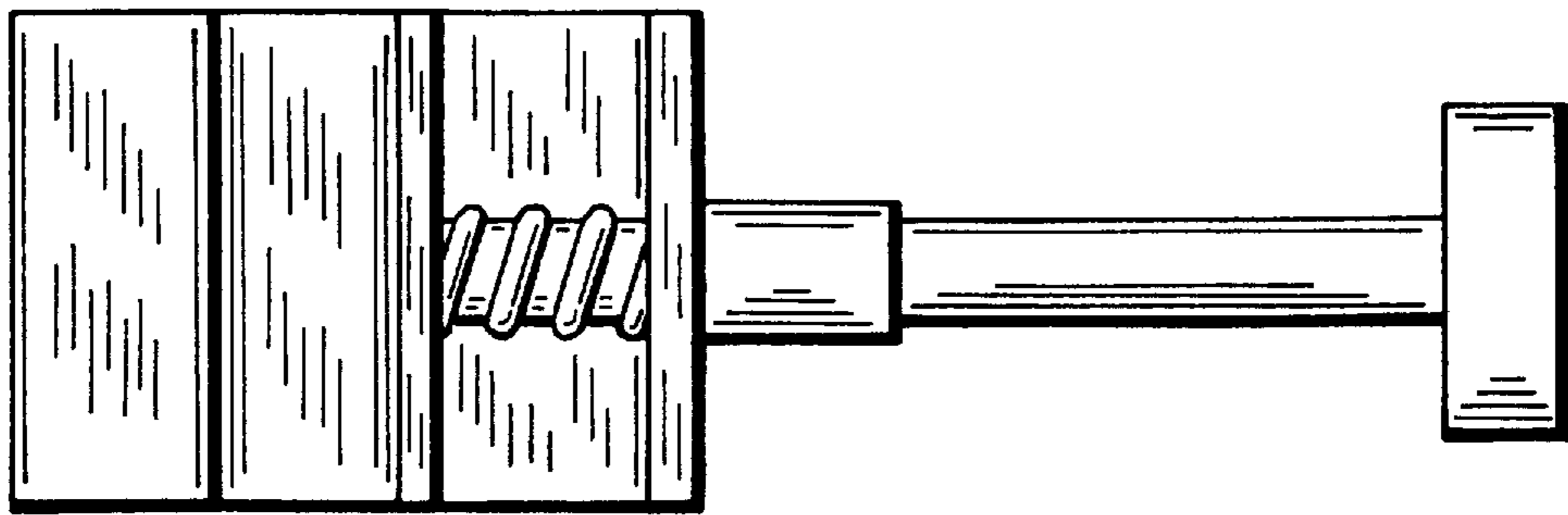


FIG. 3

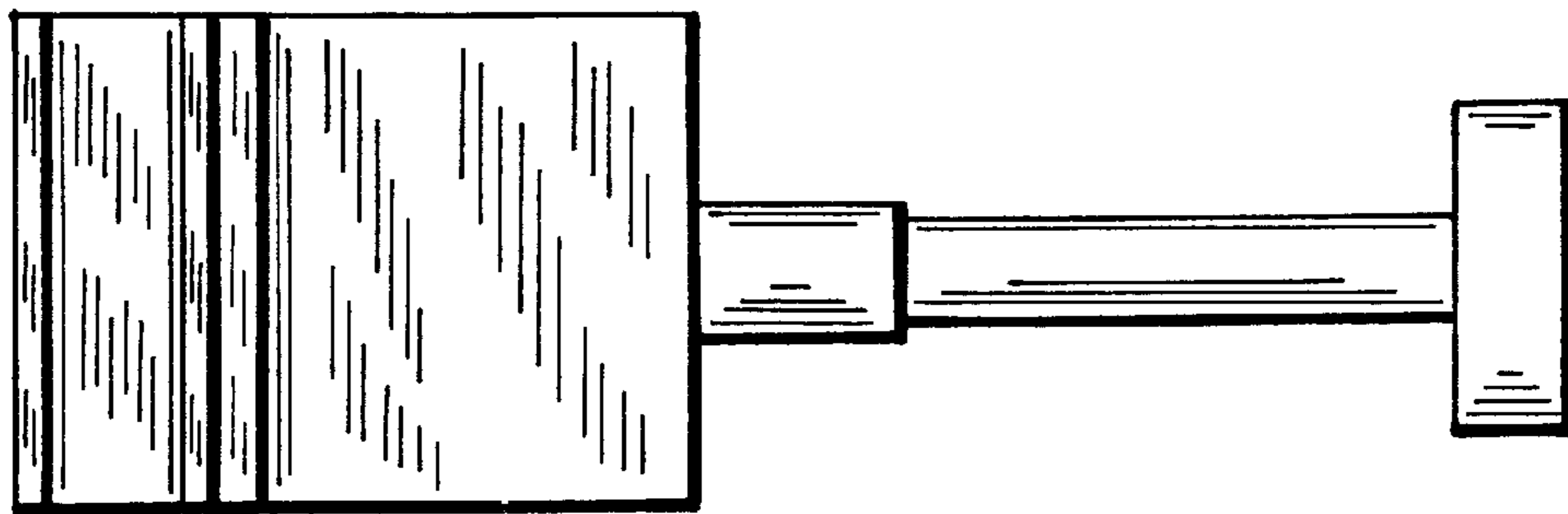


FIG. 4

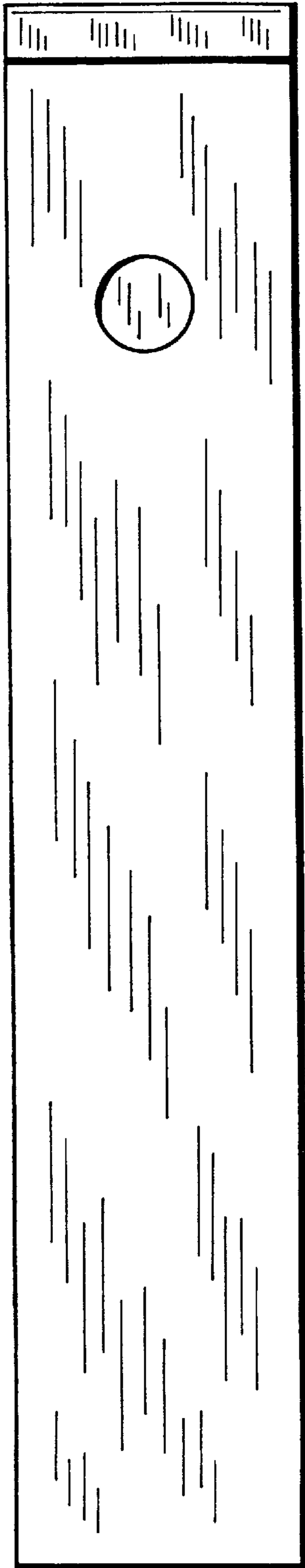


FIG. 5

