

US00D406055S

United States Patent [19]
Klawiter

[11] **Patent Number: Des. 406,055**
[45] **Date of Patent: **Feb. 23, 1999**

[54] **DISPLAY CONTAINER**

[75] Inventor: **Steven C. Klawiter**, Garner, N.C.

[73] Assignee: **Goodmark Foods, Inc.**, Raleigh, N.C.

[**] Term: **14 Years**

[21] Appl. No.: **61,912**

[22] Filed: **Nov. 1, 1996**

[51] **LOC (6) Cl.** **09-07**

[52] **U.S. Cl.** **D9/415**

[58] **Field of Search** D9/415, 418, 432,
D9/433, 346; 206/45.29, 45.28, 45.3, 45.24,
766, 736, 750; 229/172, 112, 164, 120.17,
152, 178

[56] **References Cited**

U.S. PATENT DOCUMENTS

D. 70,576	7/1926	Peruzzi	D9/415
267,271	11/1882	Snow	.	
D. 304,644	11/1989	Silcox	D9/415 X
D. 387,979	12/1997	Dolan	D9/415
414,450	11/1889	Schwartz	.	
476,765	6/1892	Knapp	.	
527,688	10/1894	Hernsheim	.	
529,760	11/1894	Stevens	.	
937,173	10/1909	Pfeiffer	.	
1,104,253	7/1914	Dunphee	.	
1,403,869	1/1922	Reid	.	
1,452,257	4/1923	Singer et al.	.	
1,599,983	9/1926	Bergstein	.	
1,648,280	11/1927	Pitts	.	
1,743,502	1/1930	Tanner	.	
1,755,731	4/1930	Guyer	.	
1,799,656	4/1931	Tinsley	.	
1,800,550	4/1931	Mahoney, Jr. et al.	.	
1,817,045	8/1931	Tanner	.	
1,889,625	11/1932	Barter	.	
1,902,262	3/1933	Powell	206/45.29
2,027,079	1/1936	Weiss	206/45.29 X
2,054,596	9/1936	Ford	.	
2,119,789	6/1938	Krout	.	
2,168,240	8/1939	Roberts	.	
2,178,091	10/1939	Weiss	206/45.3
2,209,657	7/1940	Martin	.	
2,330,927	10/1943	Rous et al.	206/45.29
2,337,596	12/1943	Gariepy	.	

2,375,843	5/1945	Gottlieb	.	
2,771,986	11/1956	Bekoff	.	
2,812,852	11/1957	Samuels	.	
2,970,685	2/1961	Mayer	206/766
3,351,182	11/1967	Greer et al.	.	
3,417,861	12/1968	Levy	.	
3,729,091	4/1973	Davis	.	
4,011,943	3/1977	Galli et al.	206/45.28 X
4,448,303	5/1984	Beckenfeld	206/45.3 X
4,756,409	7/1988	Murray	.	
4,860,886	8/1989	Northrup et al.	.	
4,991,804	2/1991	Iannocci	206/45.24 X
5,337,821	8/1994	Fierek	.	

FOREIGN PATENT DOCUMENTS

434236	8/1935	United Kingdom	.
940131	10/1963	United Kingdom	.
2234959	2/1991	United Kingdom	.
2252546	8/1992	United Kingdom	.

OTHER PUBLICATIONS

Packaging Catalog, pp. 56, 58 & 60, 1940.

Primary Examiner—Prabhakar G. Deshmukh
Attorney, Agent, or Firm—Bell Seltzer Intellectual Property
Law Group of Alston & Bird LLP

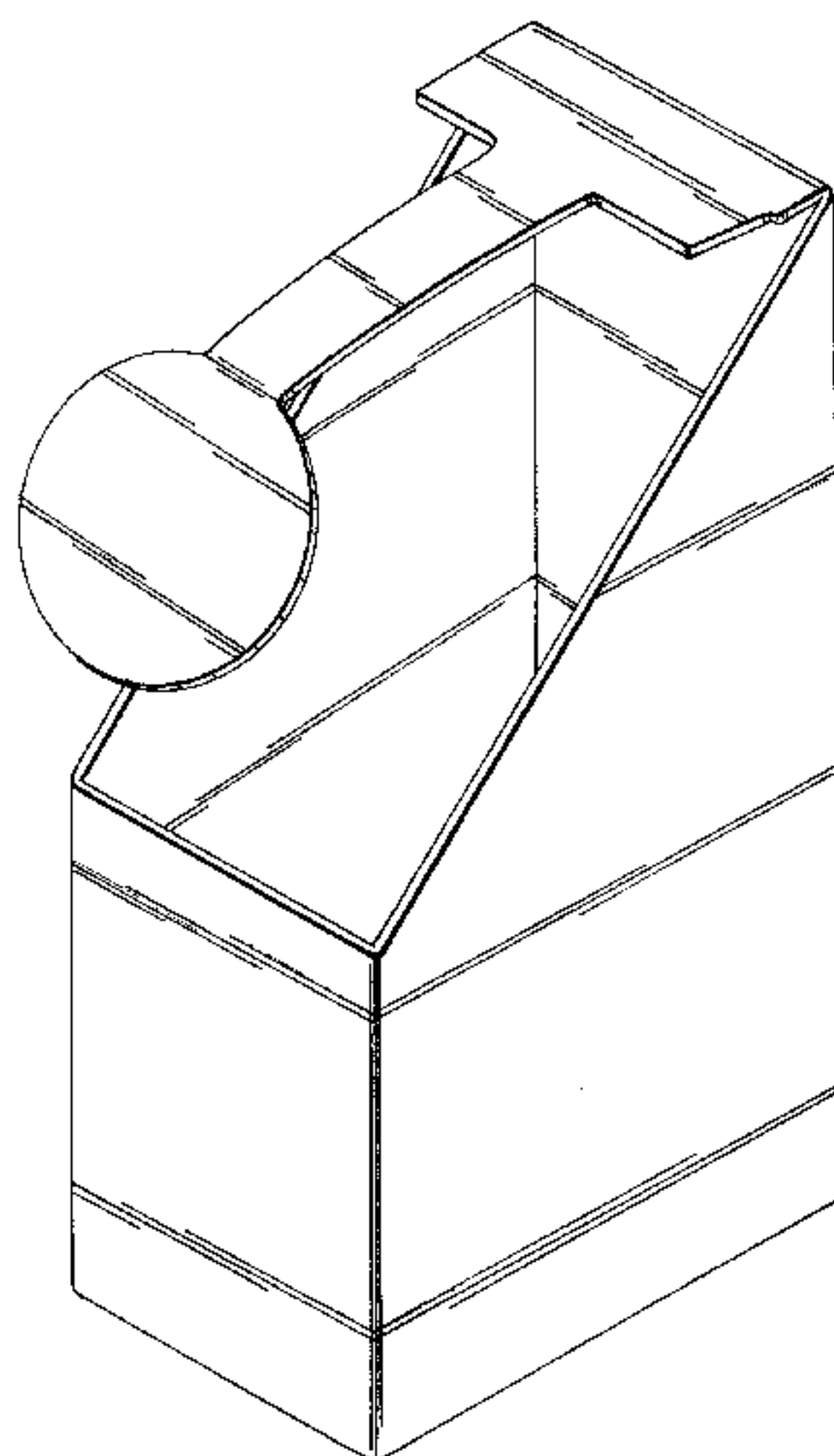
[57] **CLAIM**

The ornamental design for a display container, as shown and described.

DESCRIPTION

FIG. 1 is a top, right, front perspective view of a display container showing the design of the present invention; FIG. 2 is a right side view thereof, which is a mirror image of the left side thereof; FIG. 3 is a front view thereof; FIG. 4 is a rear view thereof; FIG. 5 is a top view thereof; FIG. 6 is a bottom view thereof. FIG. 7 is a top, right, front perspective view of an alternative embodiment of a display container having a design of the present invention. The corresponding views of the second embodiment (FIG. 7) are same as disclosed in FIGS. 2–6 of the first embodiment with the exception of the dangling flag configuration.

1 Claim, 4 Drawing Sheets



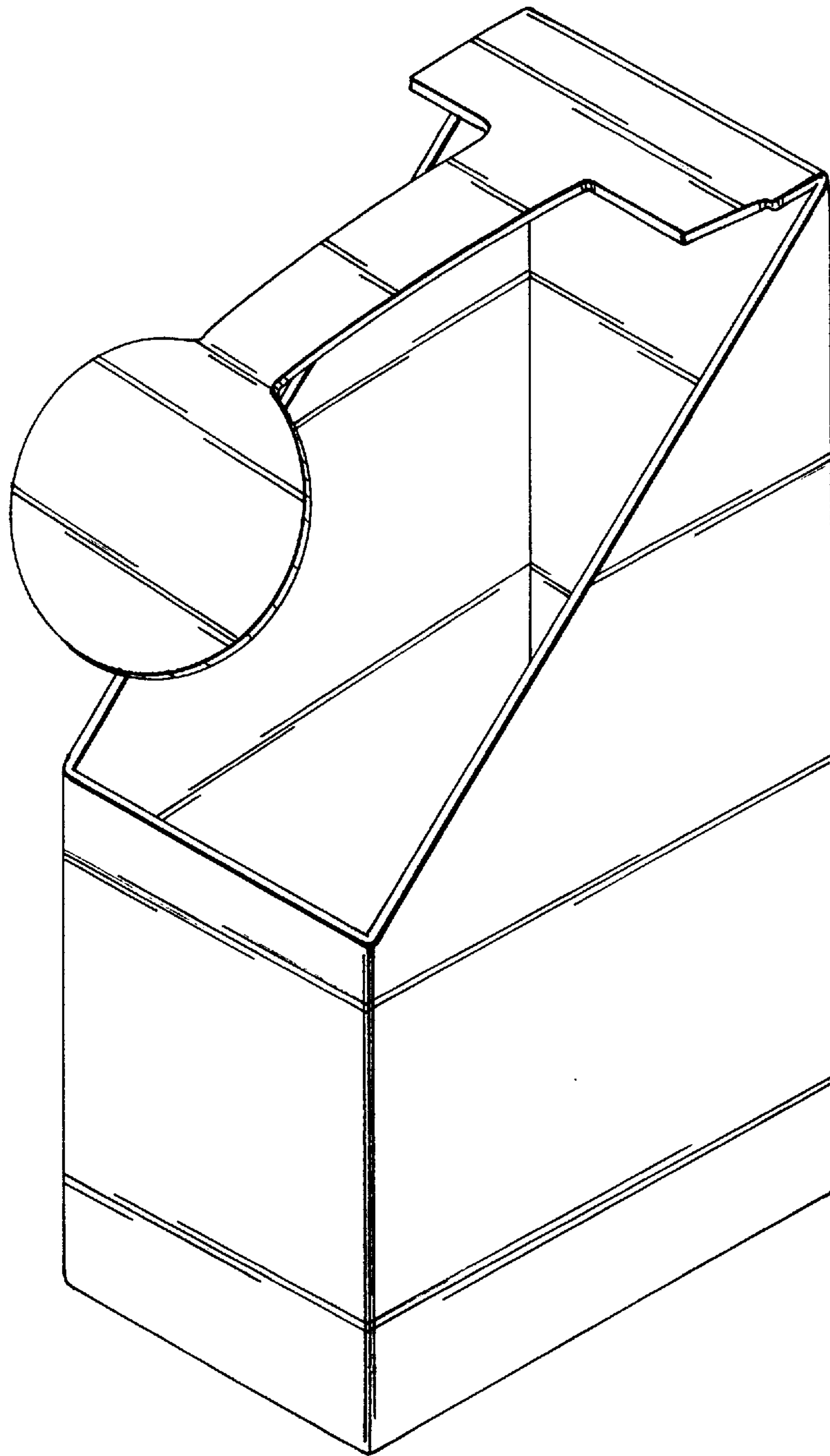


Fig. 1

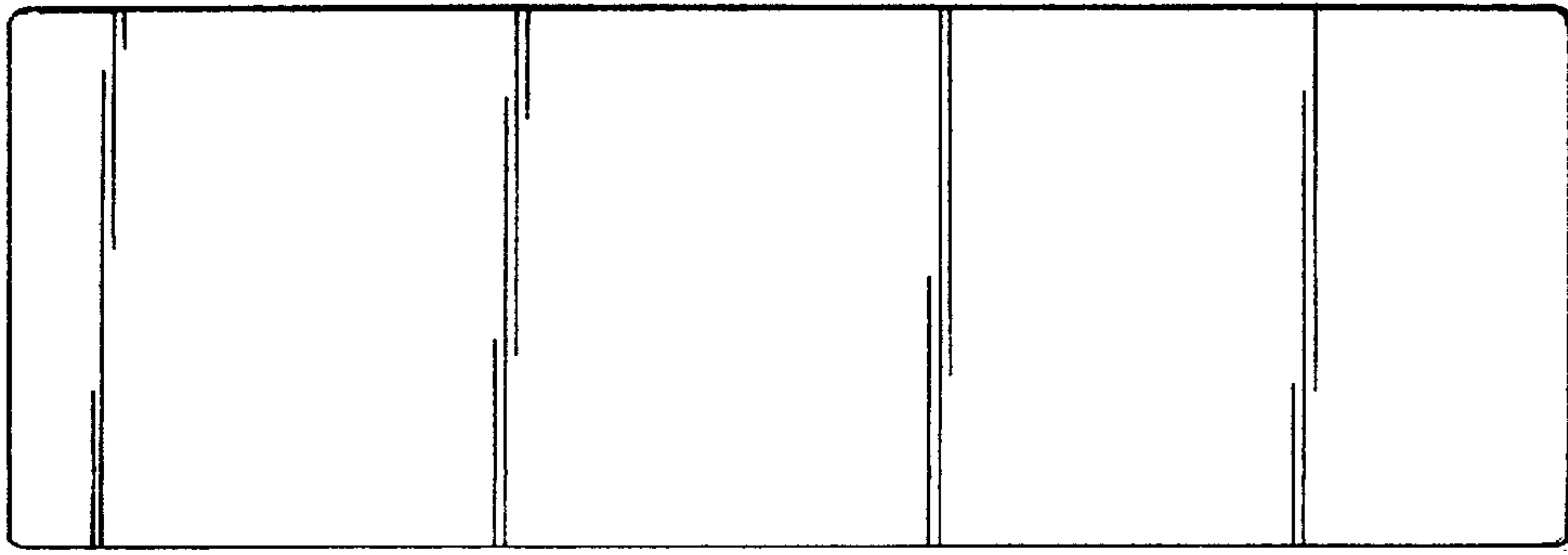


Fig. 4

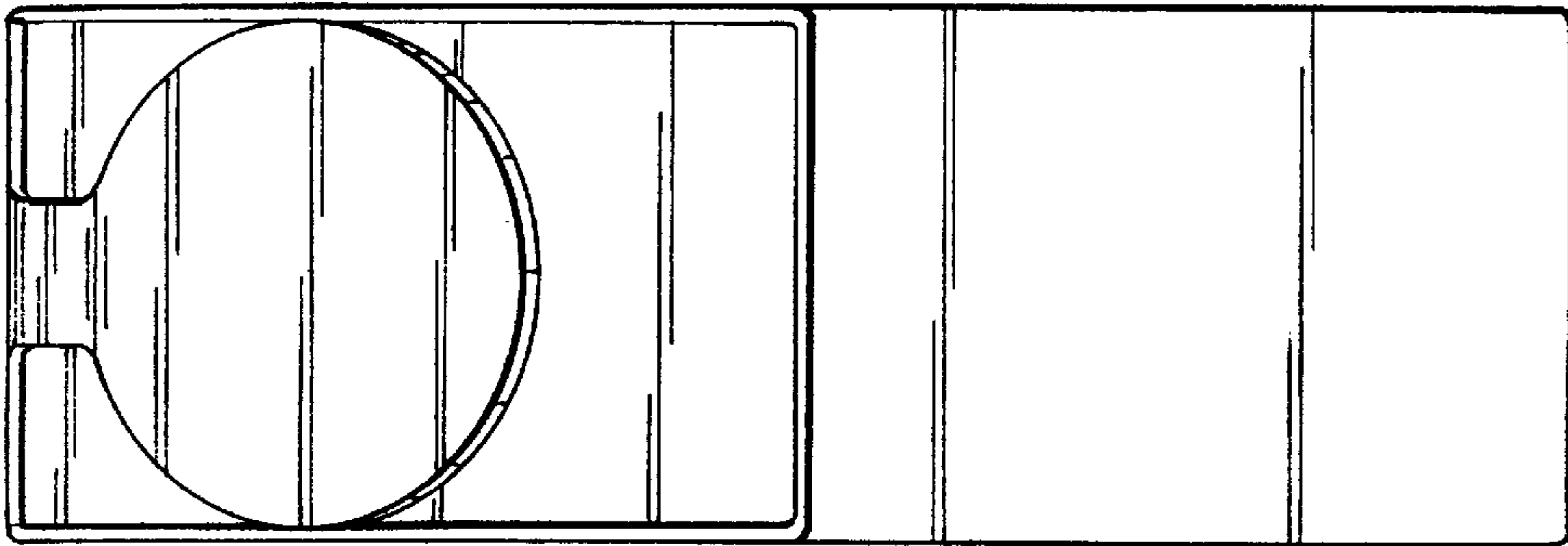


Fig. 3

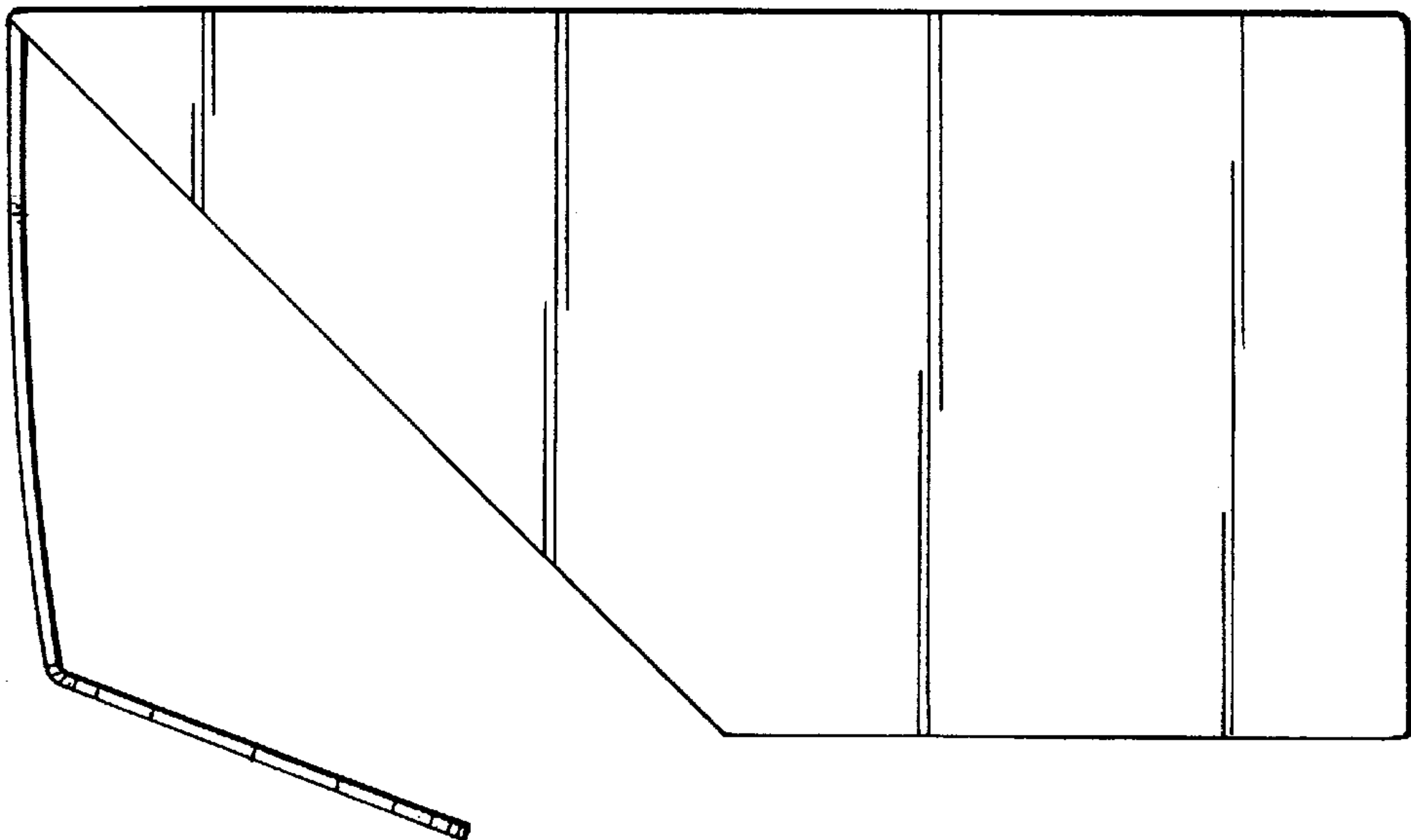


Fig. 2

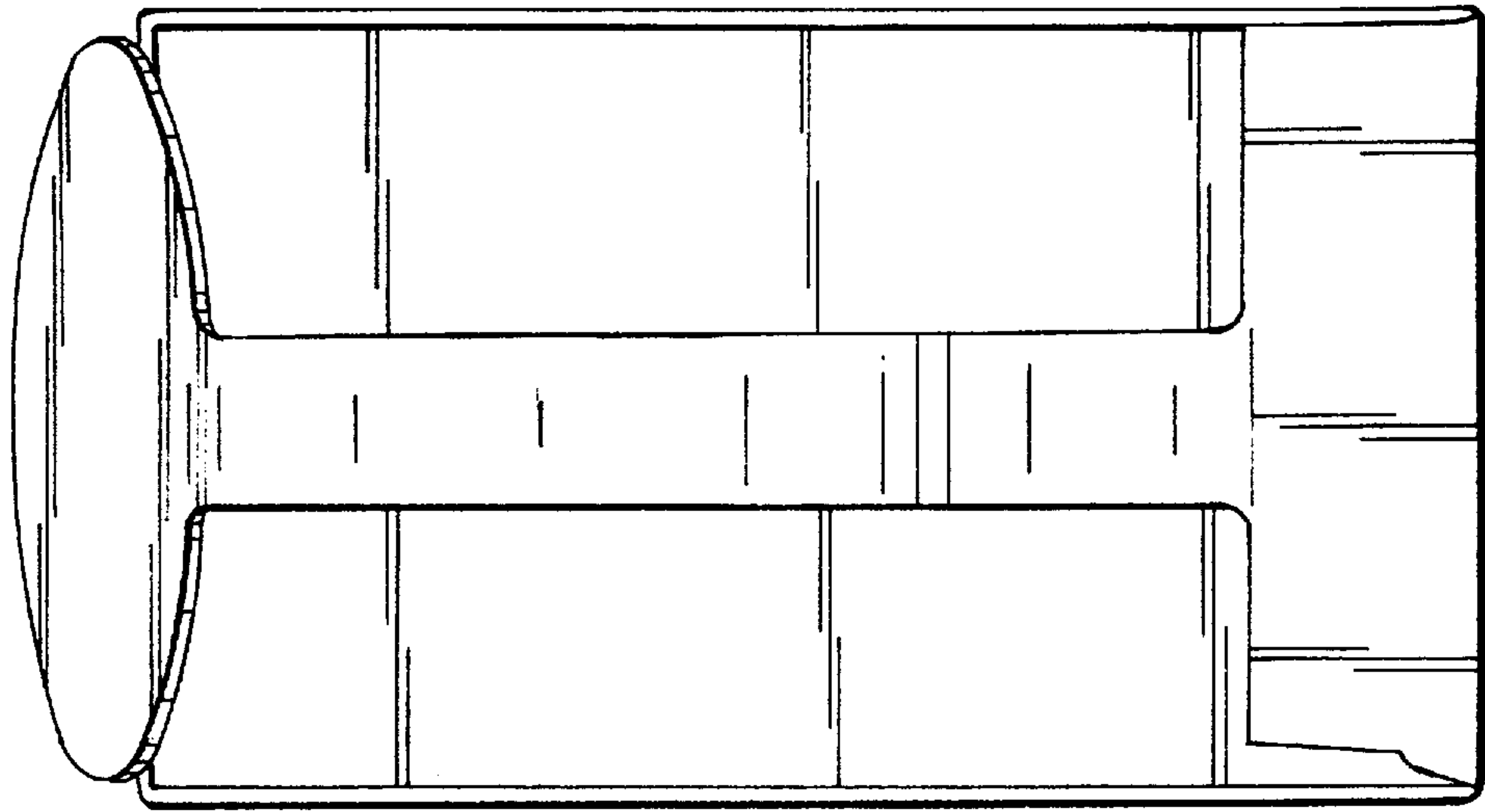


Fig. 5

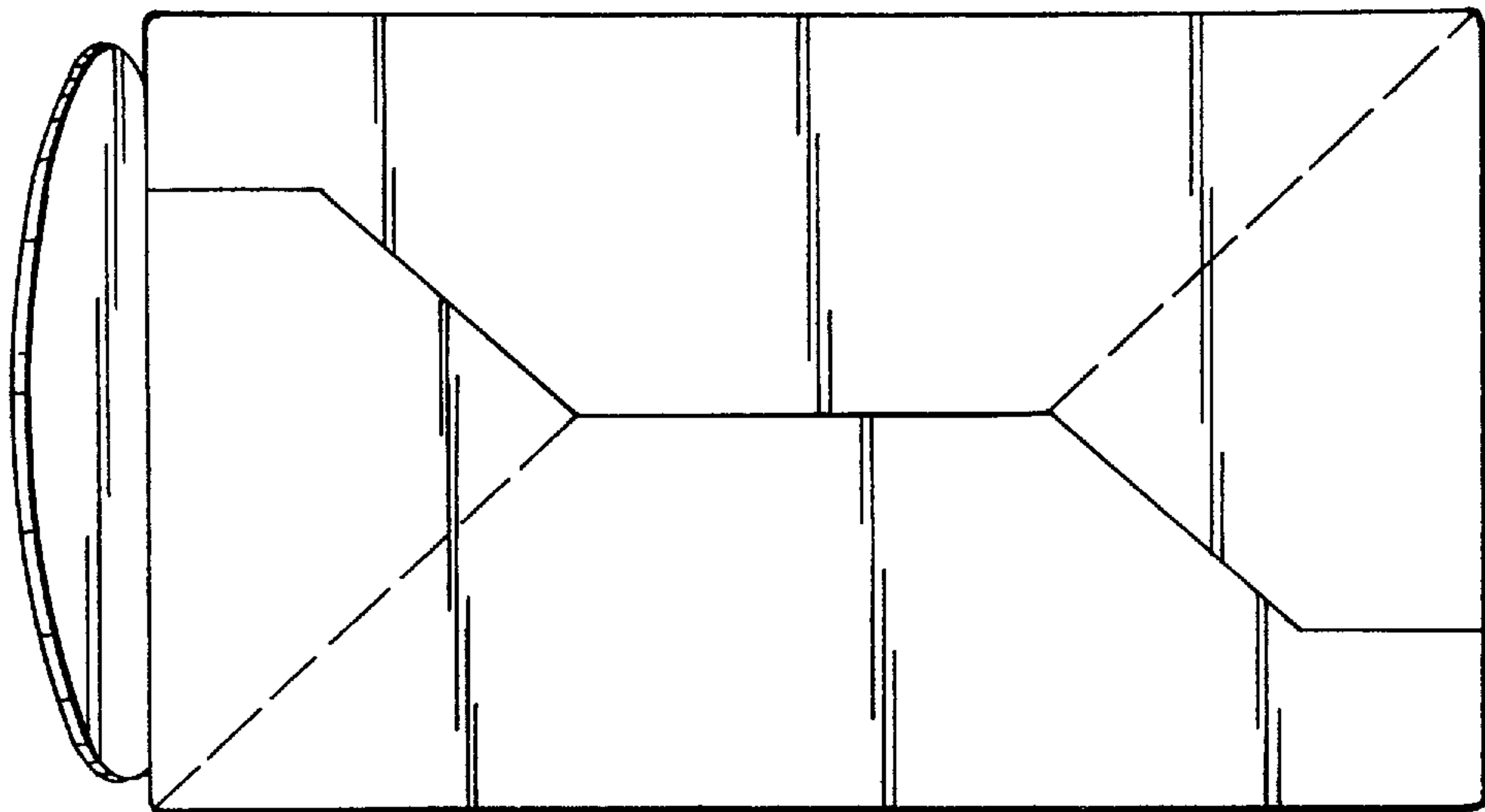


Fig. 6

Fig. 7

