



US00D406050S

United States Patent [19]
DeSouza

[11] **Patent Number: Des. 406,050**

[45] **Date of Patent: **Feb. 23, 1999**

[54] **HAND RAIL BRACKET**

[75] Inventor: **Joseph DeSouza**, North Royalton, Ohio

[73] Assignee: **Action Sales & Marketing**,
Middleburg Heights, Ohio

[**] Term: **14 Years**

[21] Appl. No.: **89,765**

[22] Filed: **Jun. 22, 1998**

[51] **LOC (6) Cl.** **08-05**

[52] **U.S. Cl.** **D8/363**

[58] **Field of Search** D8/349, 354, 366,
D8/373, 380, 363; 248/300, 200, 201, 27.1

[56] **References Cited**

U.S. PATENT DOCUMENTS

D. 183,539	9/1958	Mundy	D8/373 X
D. 226,808	5/1973	Rollins	D8/380
D. 242,766	12/1976	Necce	D8/354
D. 288,407	2/1987	Alban	D8/354
781,384	1/1905	Weitershausen	160/330

Primary Examiner—Holly Baynham
Attorney, Agent, or Firm—Pearne, Gordon, McCoy & Granger LLP

[57] **CLAIM**

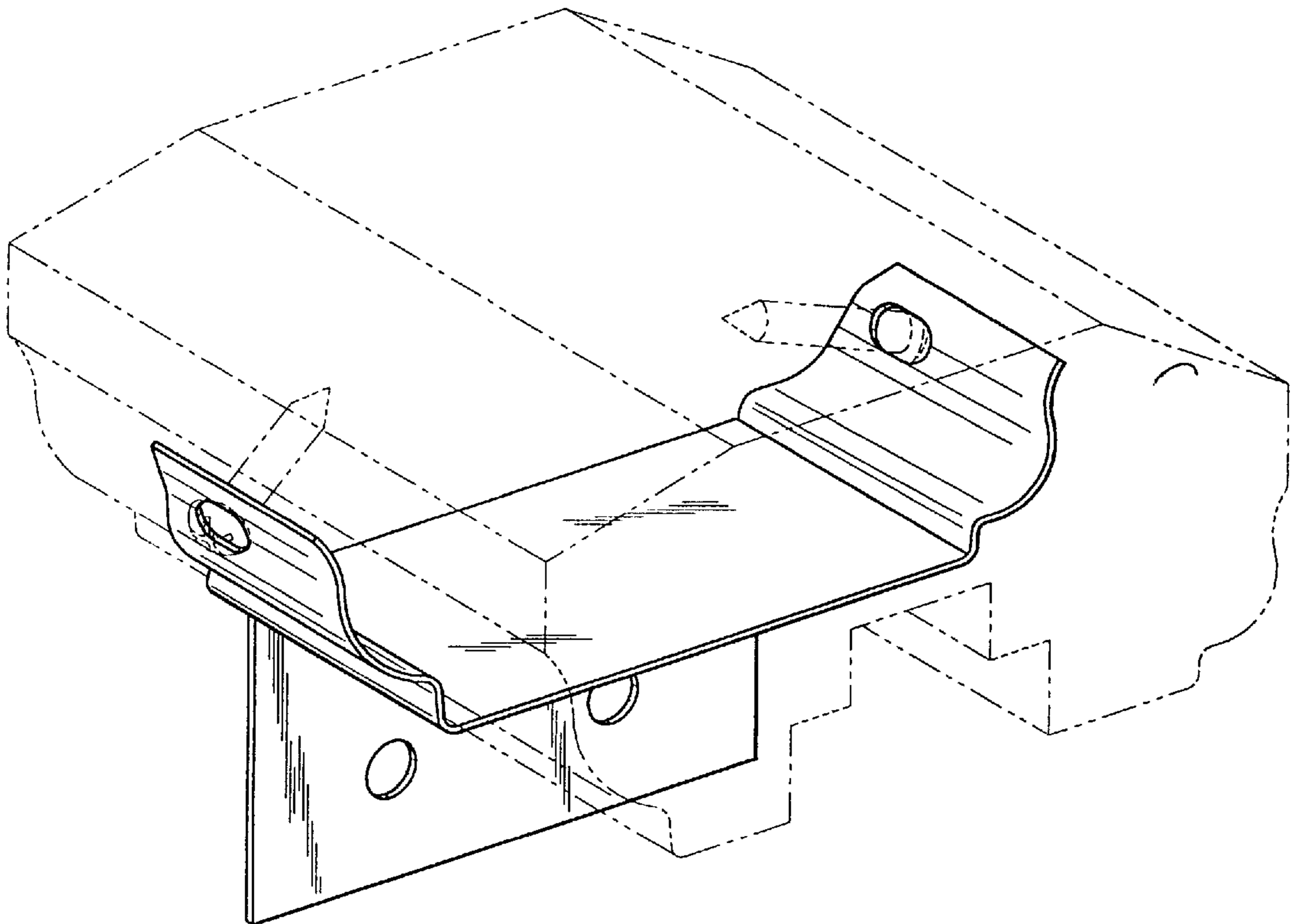
The ornamental design for a handrail bracket, as shown and described.

DESCRIPTION

FIG. 1 is a perspective view of a handrail bracket;
FIG. 2 is an elevational view of the handrail bracket;
FIG. 3 is a side elevational view of the handrail bracket;
FIG. 4 is a top plan view of the handrail bracket;
FIG. 5 is an elevational view of handrail bracket similar to FIG. 2, but taken in the opposite direction;
FIG. 6 is a bottom plan view of the handrail bracket;
FIG. 7 is a side elevational view of the handrail bracket in an upwardly bent position; and,
FIG. 8 is a side elevational view of the handrail bracket in a downwardly bent position.

The broken line showing of a portion of a handrail is for illustrative purposes only and forms no part of the claimed design.

1 Claim, 3 Drawing Sheets



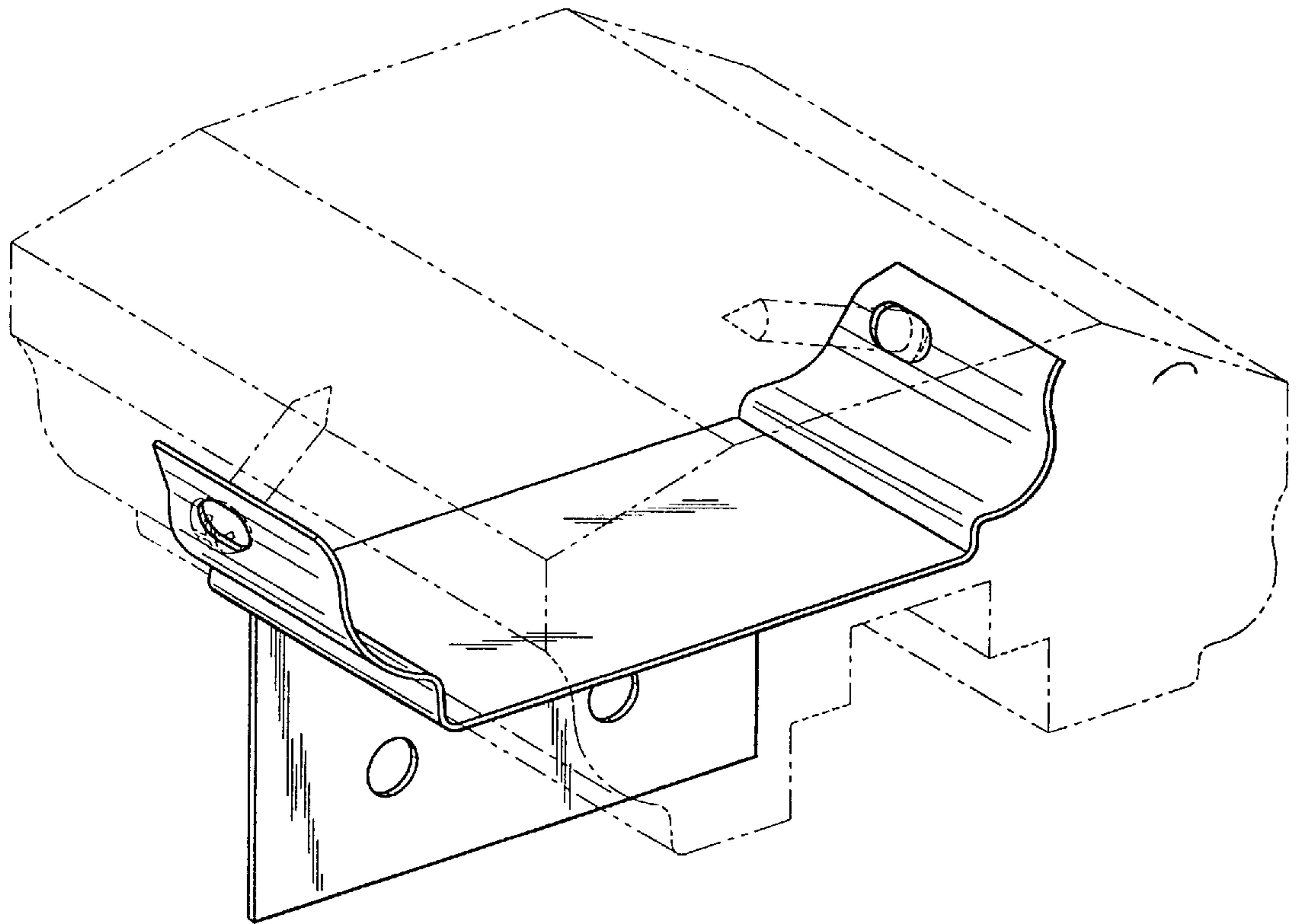


FIG. 1

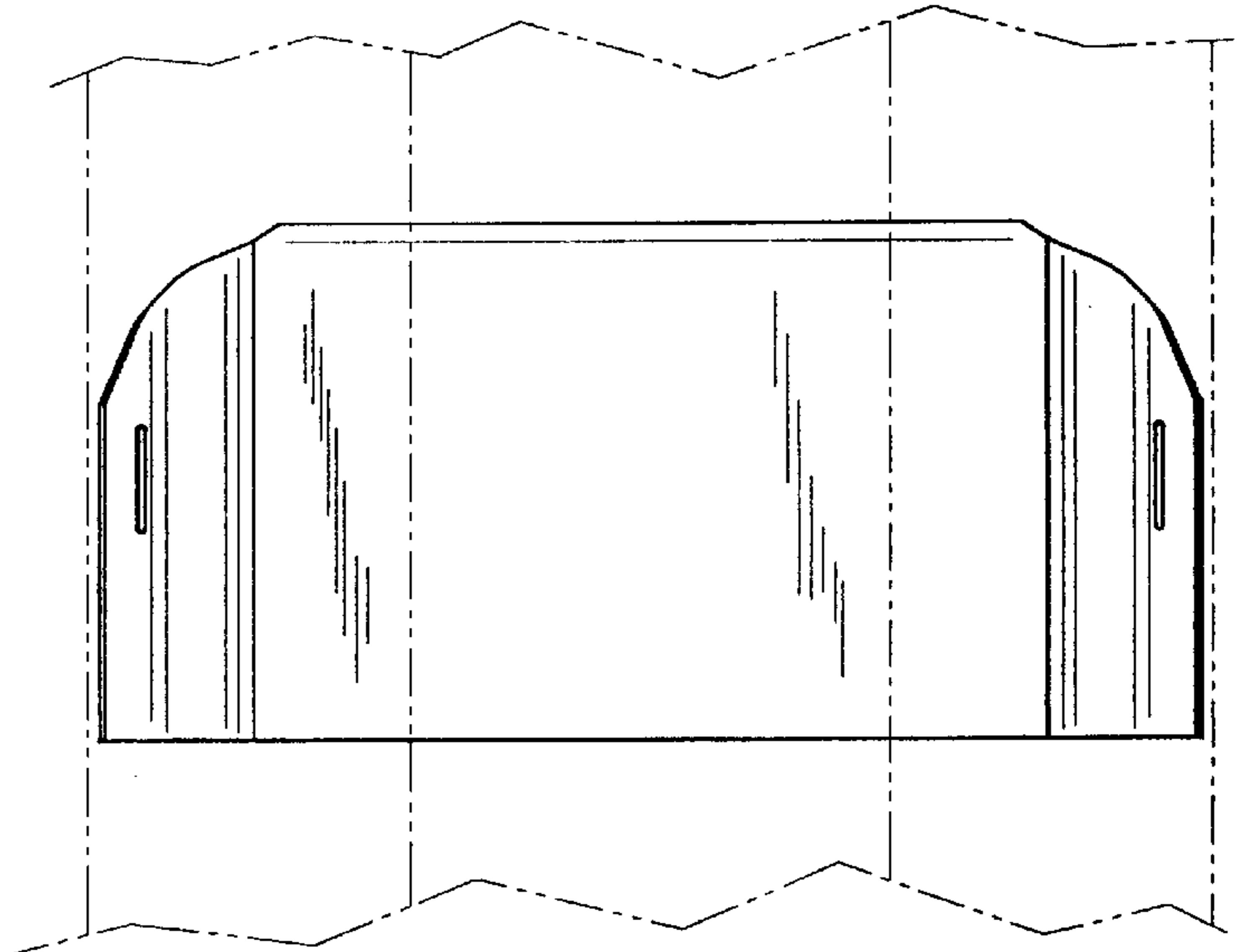


FIG. 4

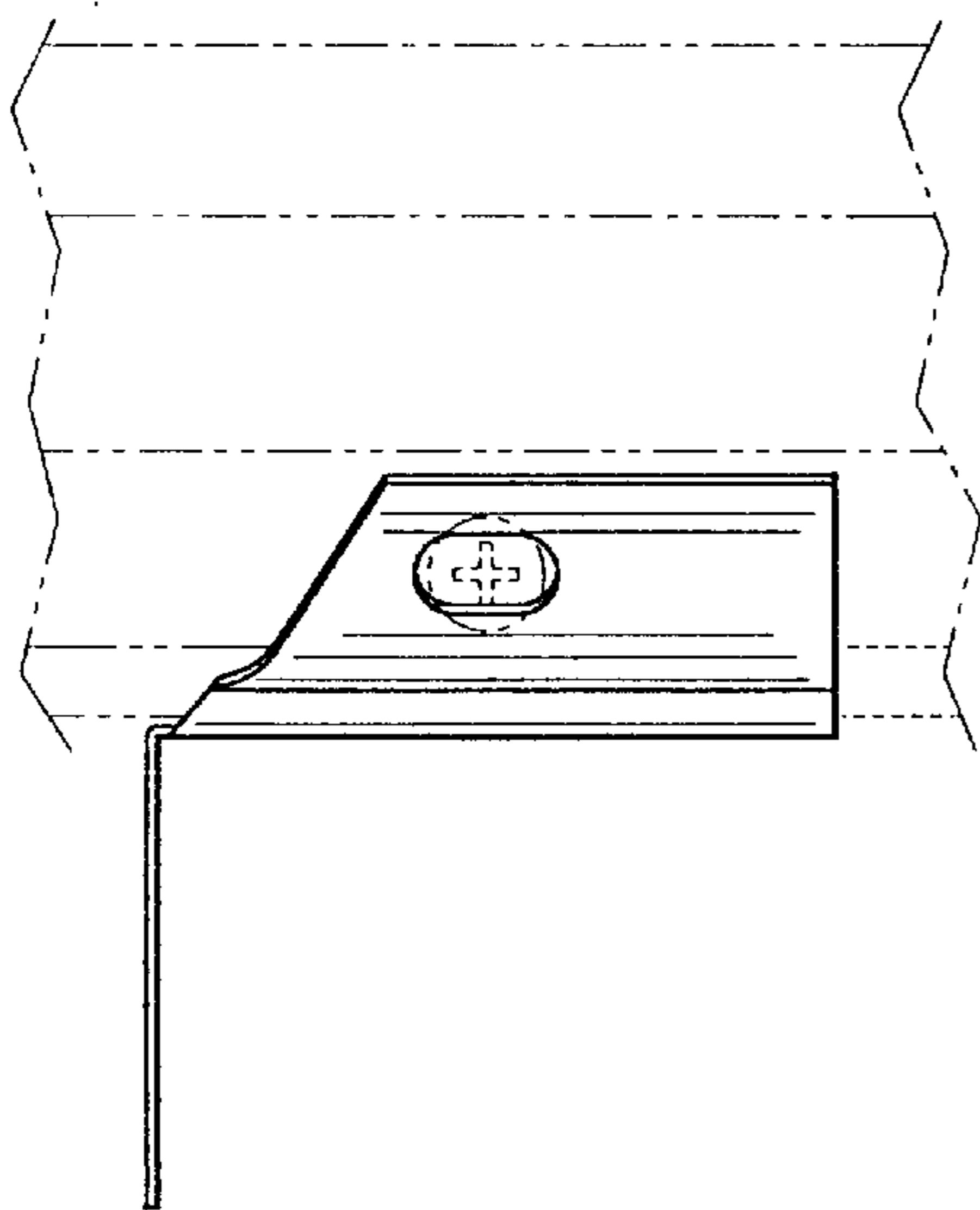


FIG. 3

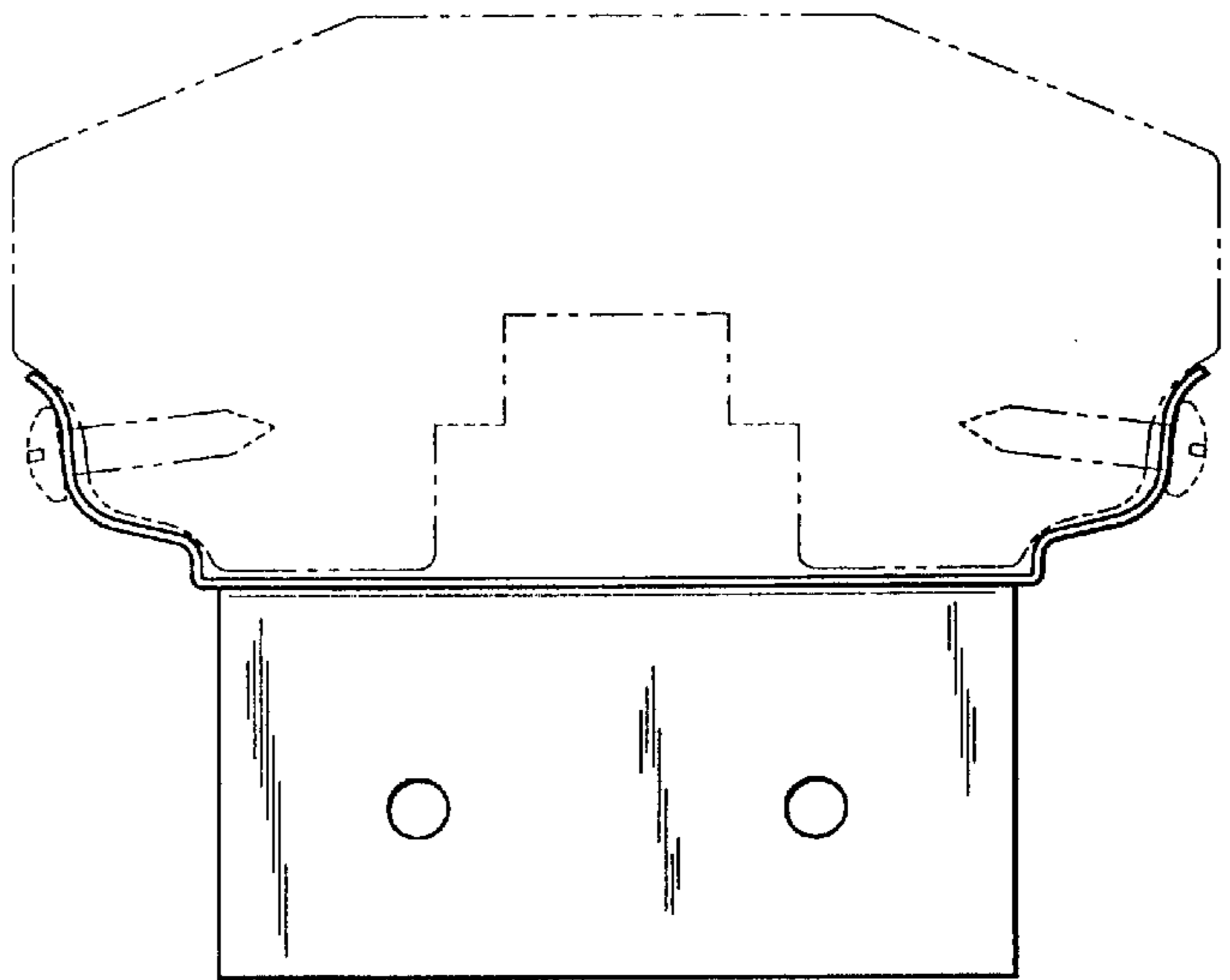


FIG. 2

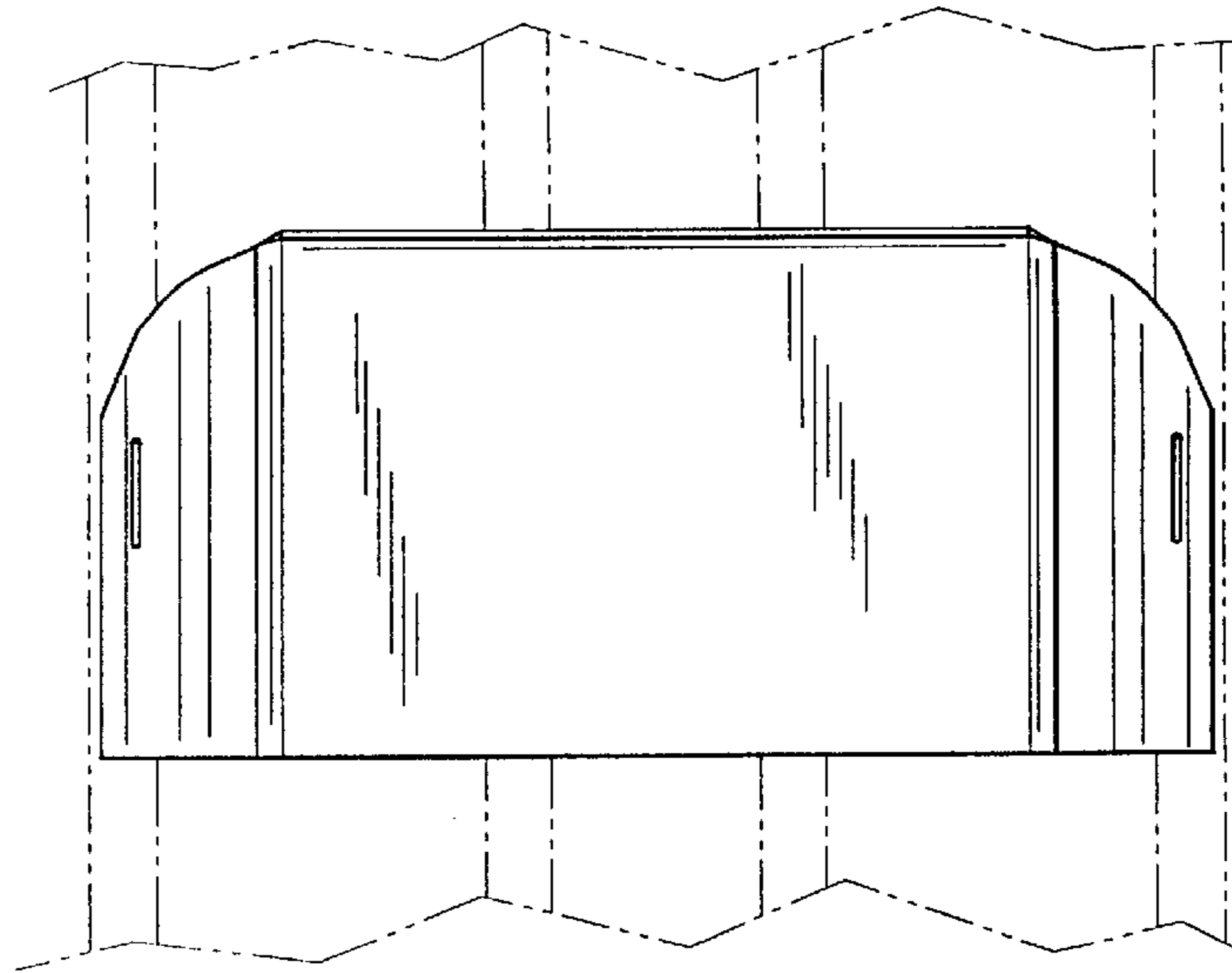


FIG. 6

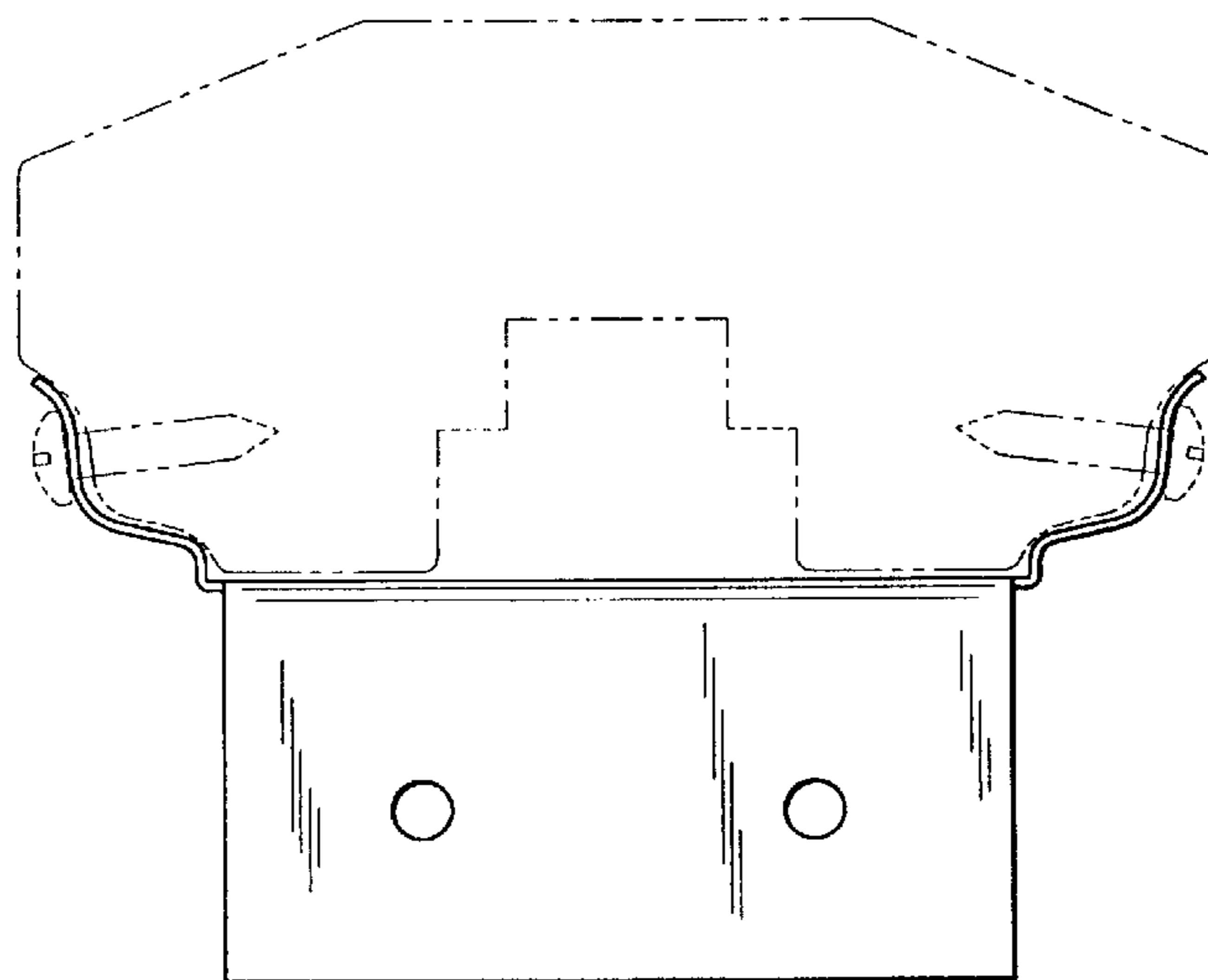


FIG. 5

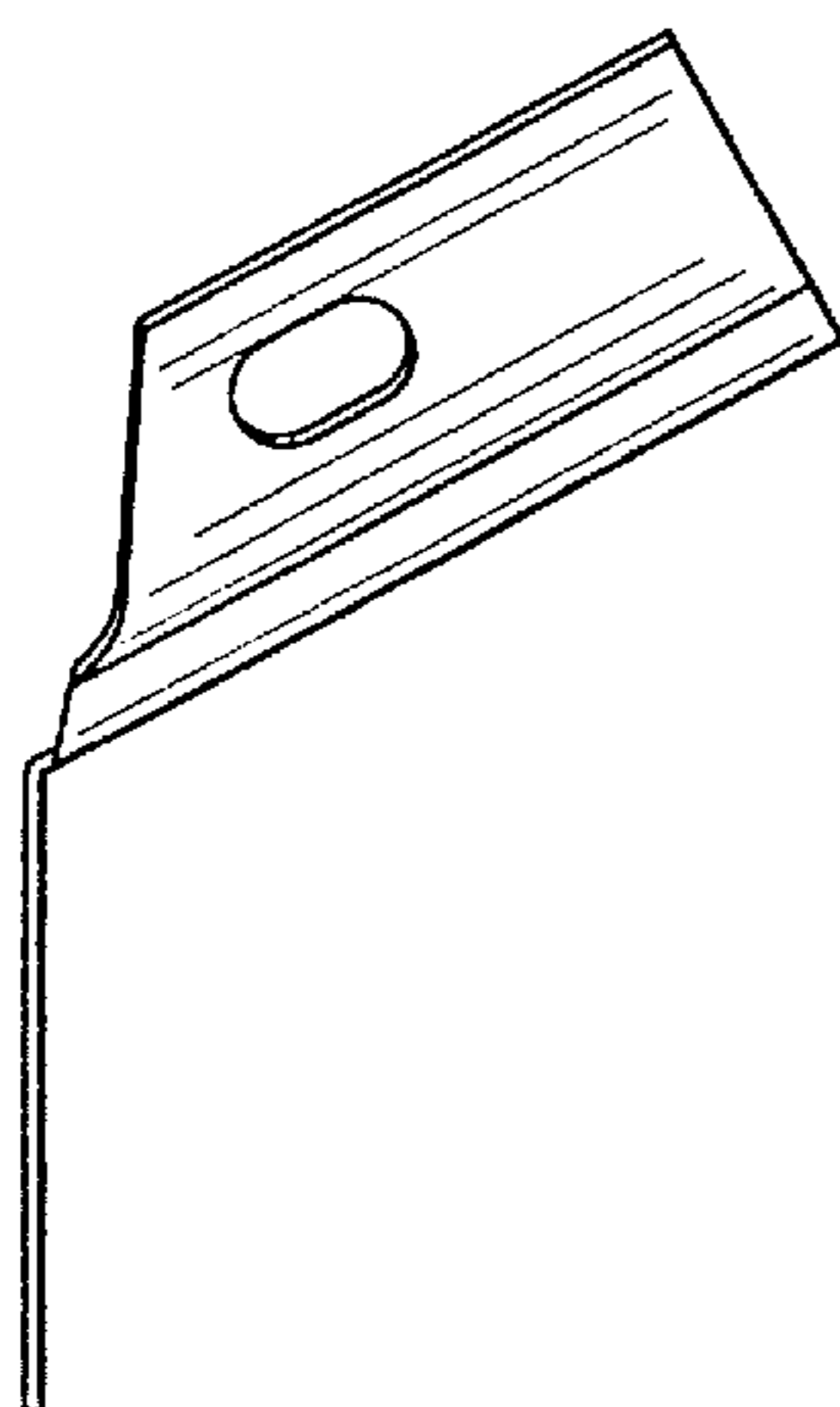


FIG. 7

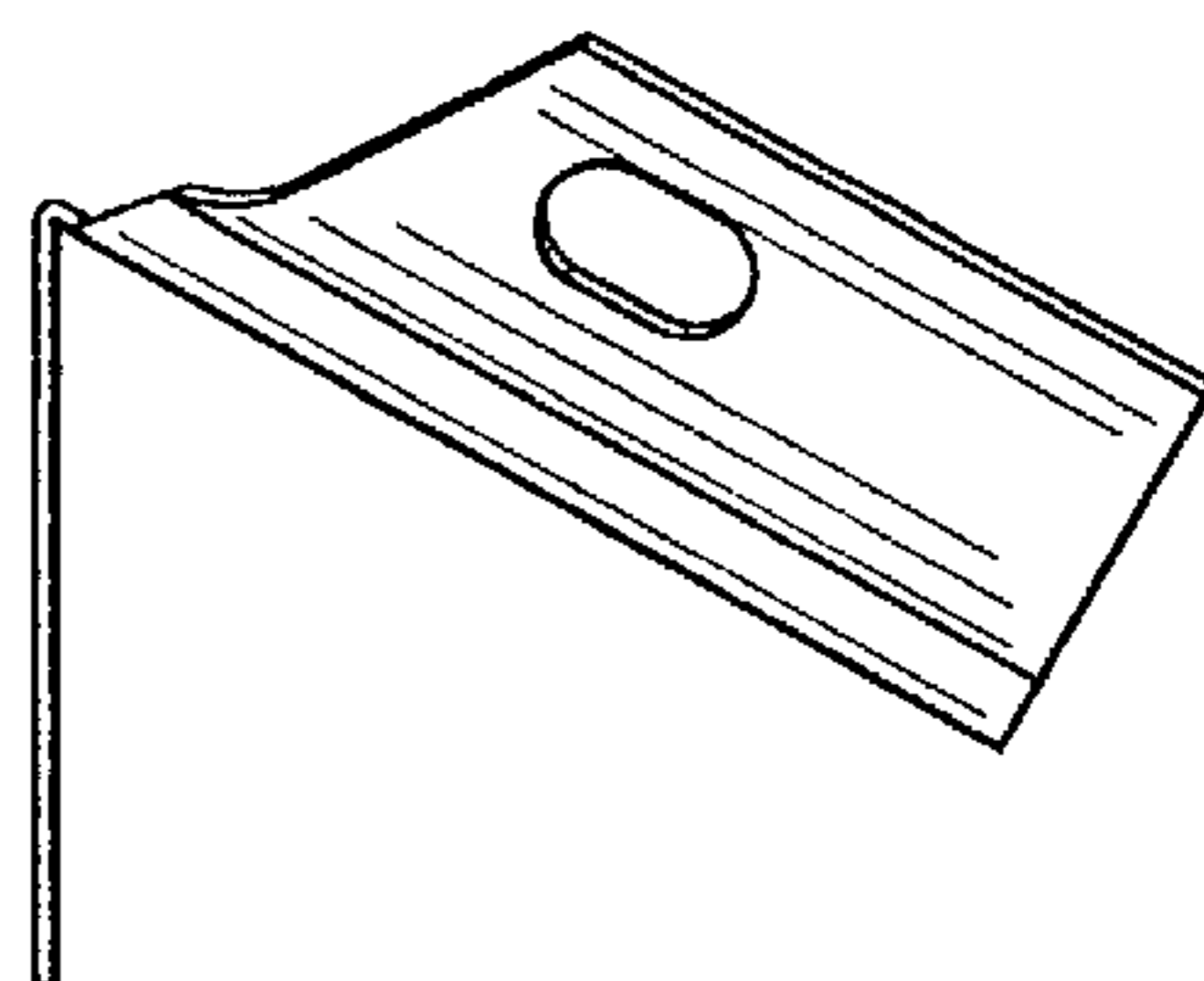


FIG. 8