



US00D406049S

United States Patent [19]

Bernat

[11] **Patent Number: Des. 406,049**

[45] **Date of Patent: **Feb. 23, 1999**

[54] **END CAP FOR A WIRE REEL SPOOL**

[76] Inventor: **Gerald J. Bernat**, 25949 N. Oak Hill Rd., Lake Barrington, Ill. 60010

[**] Term: **14 Years**

[21] Appl. No.: **45,320**

[22] Filed: **Oct. 17, 1995**

Related U.S. Application Data

[63] Continuation-in-part of Ser. No. 30,406, Oct. 28, 1994, abandoned.

[51] **LOC (6) Cl. 08-05**

[52] **U.S. Cl. D8/358**

[58] **Field of Search D8/358; 242/596.7; 53/410**

[56] References Cited

U.S. PATENT DOCUMENTS

- D. 222,031 9/1971 Buhram et al. D8/358
- D. 222,636 11/1971 Nichols D8/358
- D. 230,703 3/1974 Nelson .
- D. 285,044 8/1986 Mockett D8/354
- D. 311,486 10/1990 Hickman D8/358
- D. 333,422 2/1993 Nowotny et al. D8/358
- 2,344,660 3/1944 Vaughan et al. 242/596.7
- 3,763,619 10/1973 Stone .

5,322,234 6/1994 Robert et al. .

Primary Examiner—Holly Baynham
Attorney, Agent, or Firm—Rockey, Milnamow & Katz Ltd.

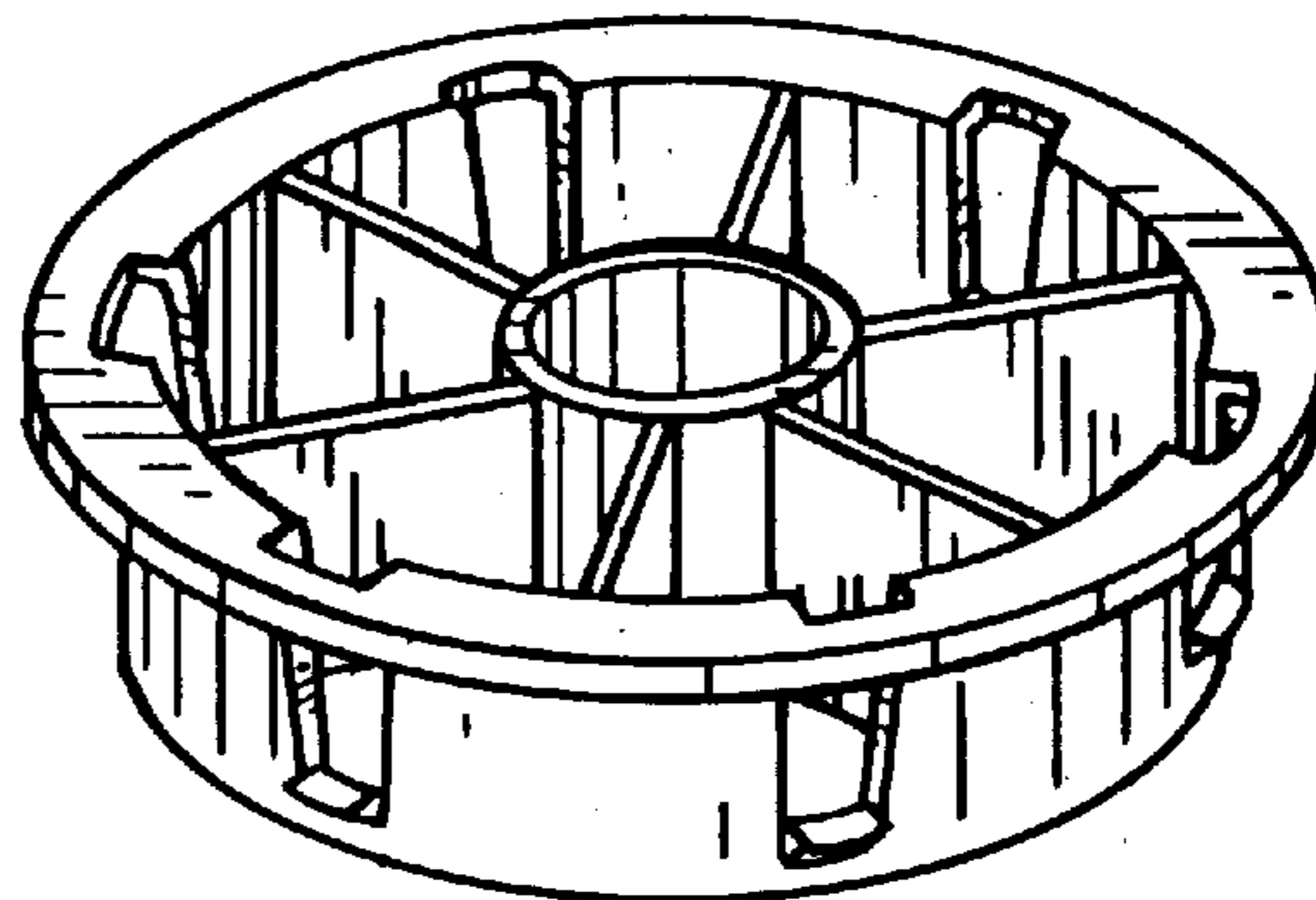
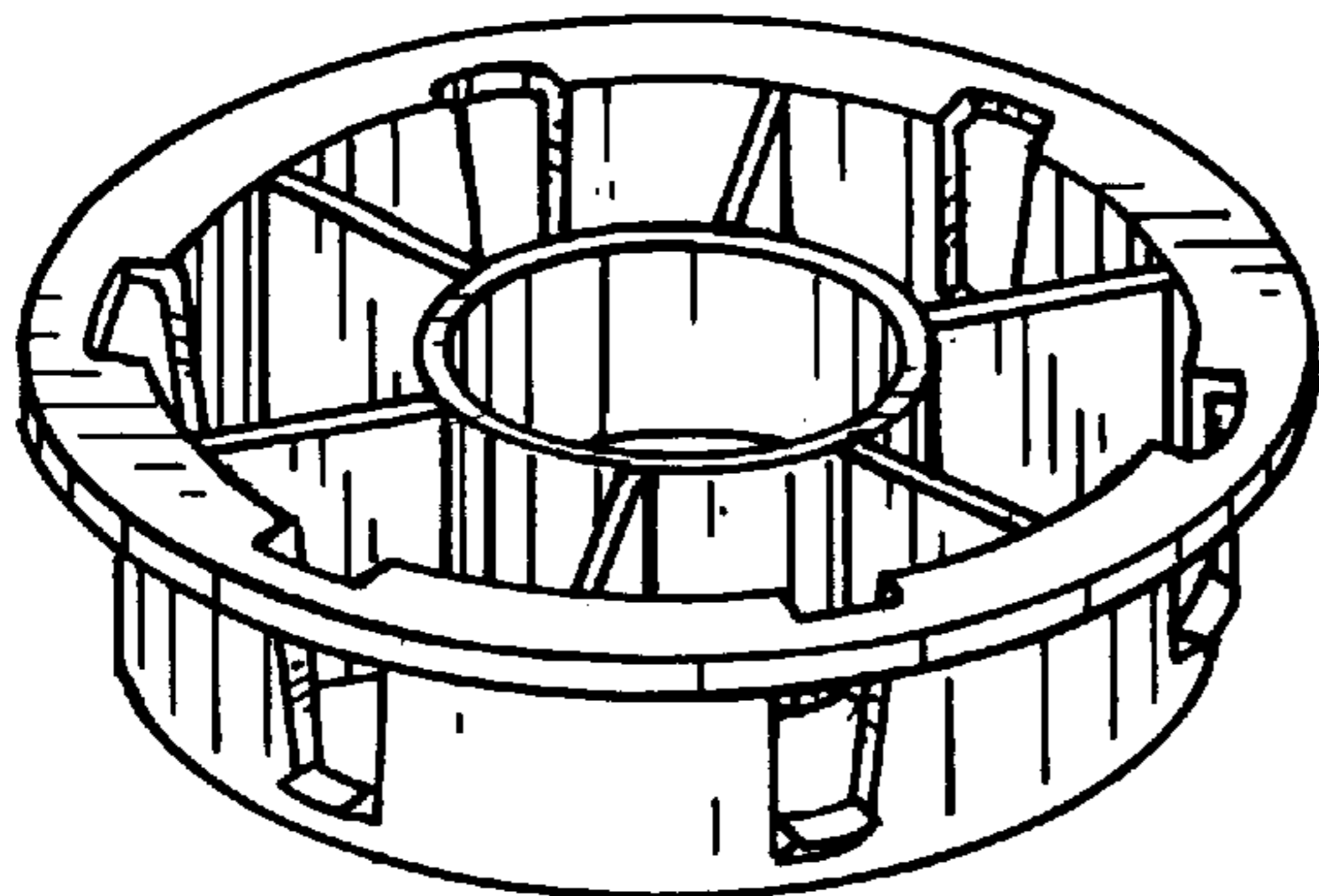
[57] CLAIM

The ornamental design for an end cap for a wire reel spool, as shown and described.

DESCRIPTION

FIG. 1 is a perspective view of the end cap for a wire reel spool;
 FIG. 2 is an enlarged top plan view of the end cap of FIG. 1;
 FIG. 3 is a side elevational view of the end cap of FIG. 1, the opposite side being a mirror image thereof;
 FIG. 4 is a bottom plan view of the end cap of FIG. 1;
 FIG. 5 is a side elevational view of the end cap of FIG. 1, being rotated 180° from the view of FIG. 3;
 FIG. 6 is a reduced scale perspective view of the end cap for a wire reel spool;
 FIG. 7 is an enlarged top plan view of the end cap of FIG. 6;
 FIG. 8 is a side elevational view of the end cap of FIG. 6, the opposite side being a mirror image thereof;
 FIG. 9 is a bottom plan view of the end cap of FIG. 6; and,
 FIG. 10 is a side elevational view of the end cap of FIG. 6, being rotated 180° from the view of FIG. 8.

1 Claim, 2 Drawing Sheets



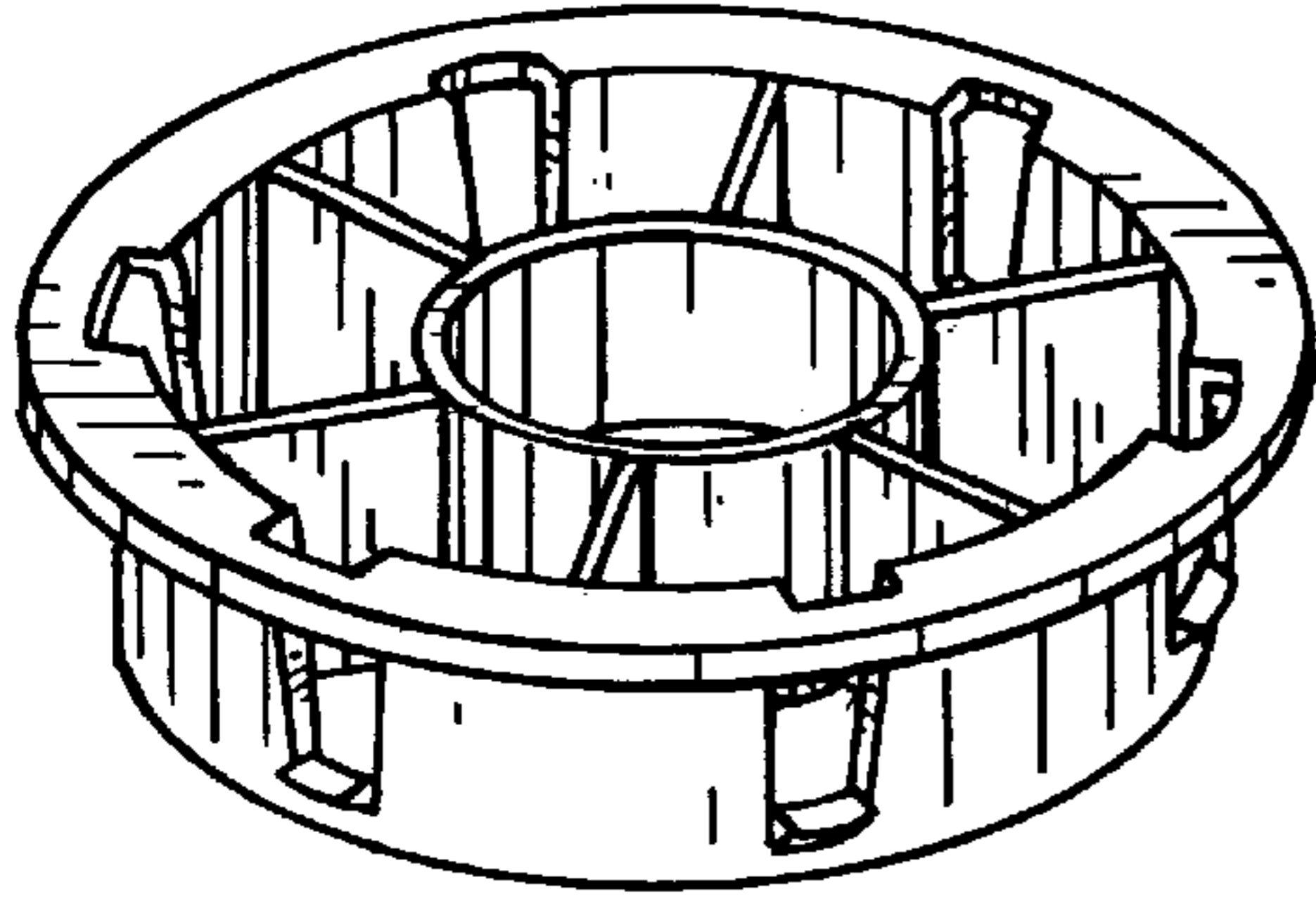


FIG. 1

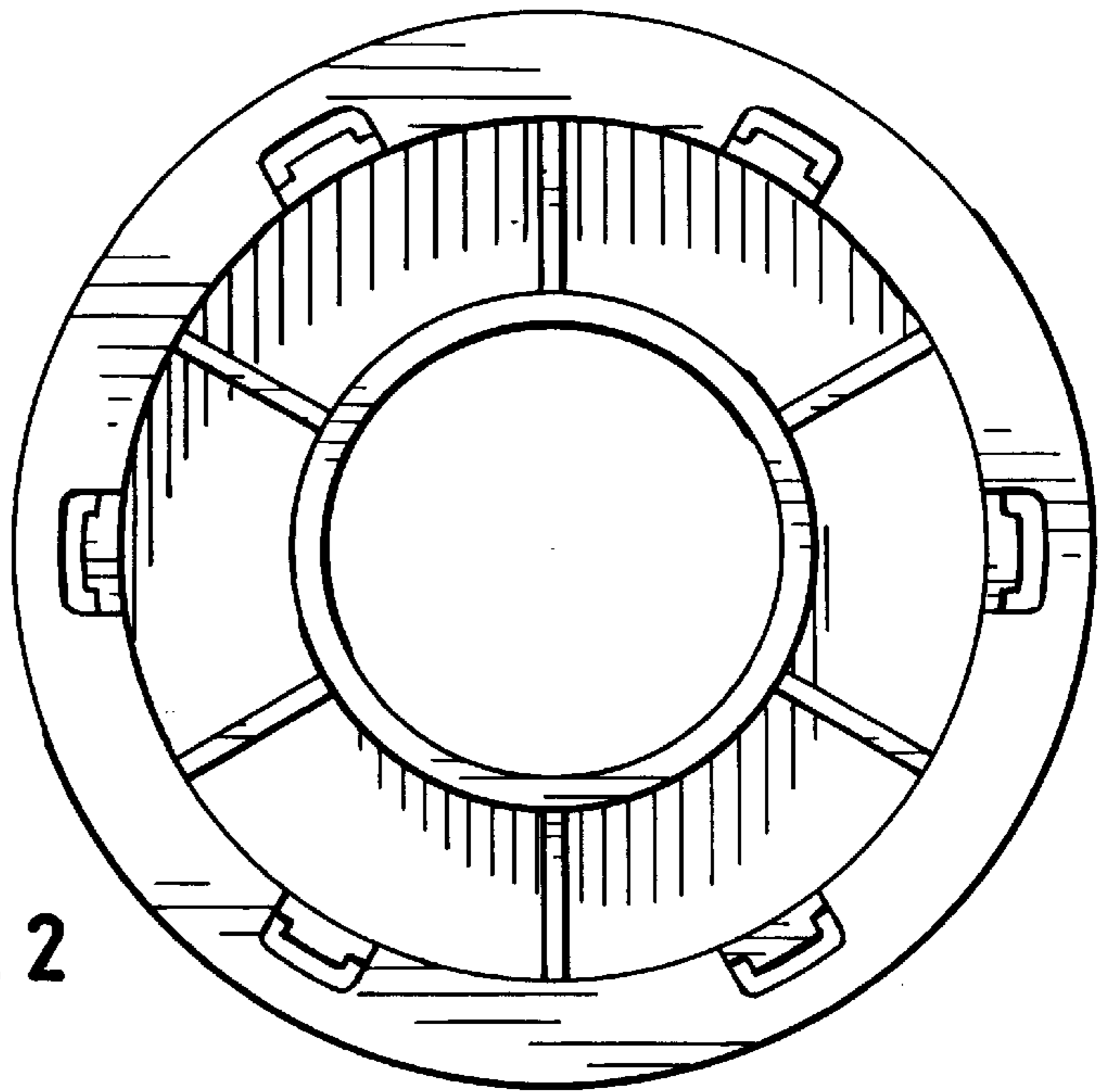


FIG. 2

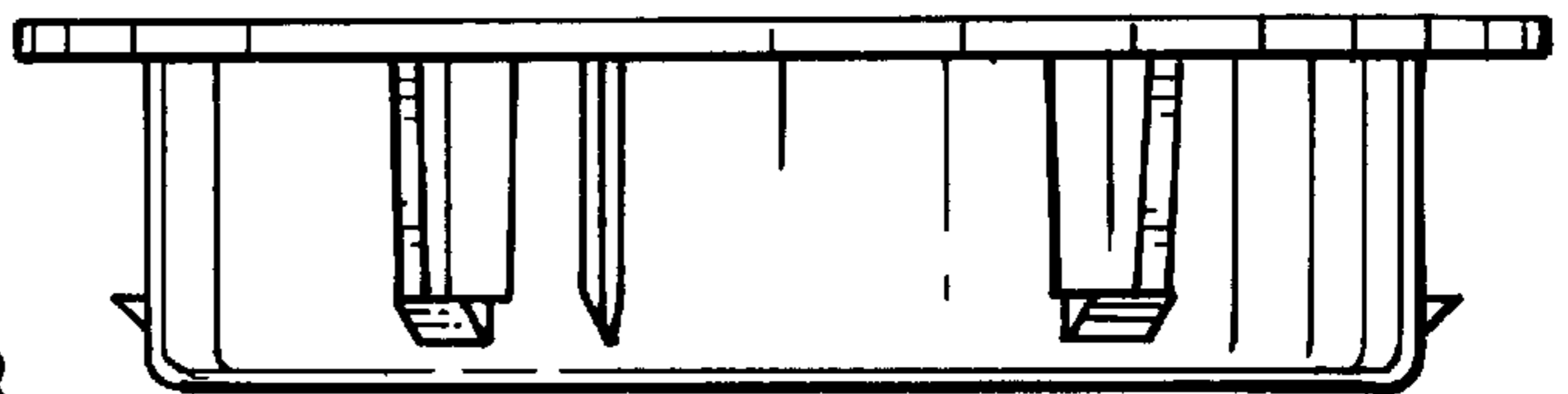


FIG. 3

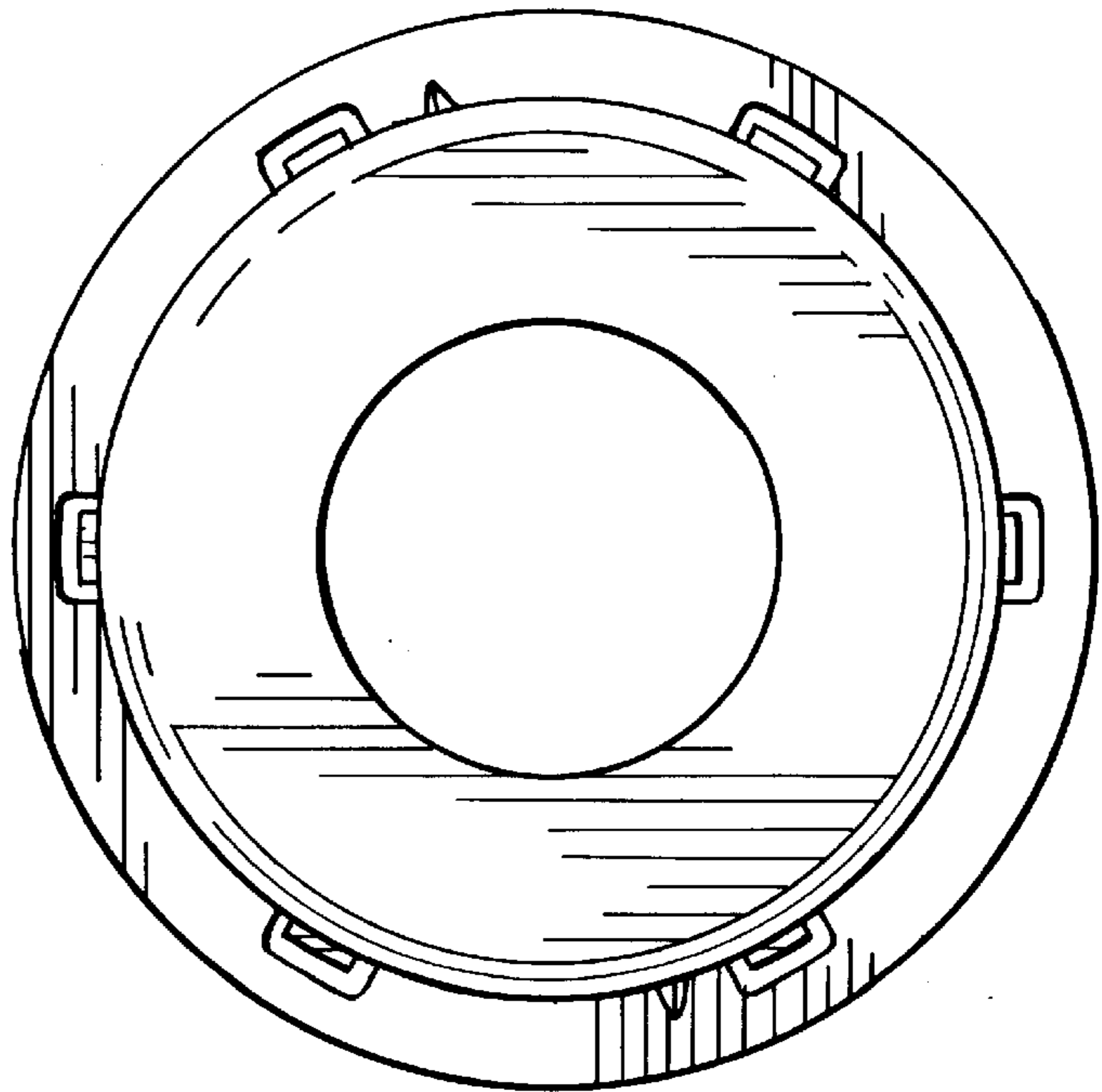


FIG. 4

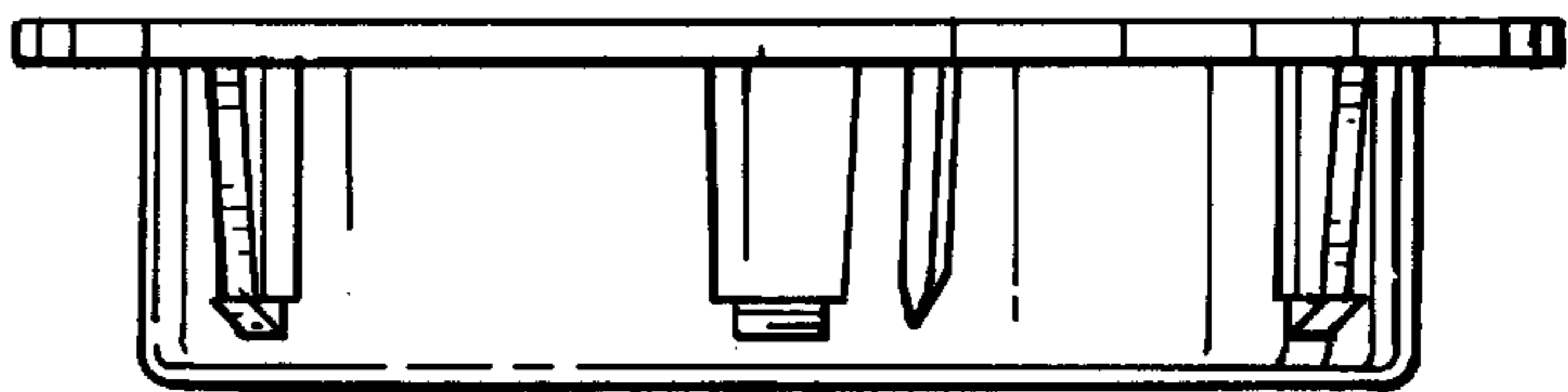


FIG. 5

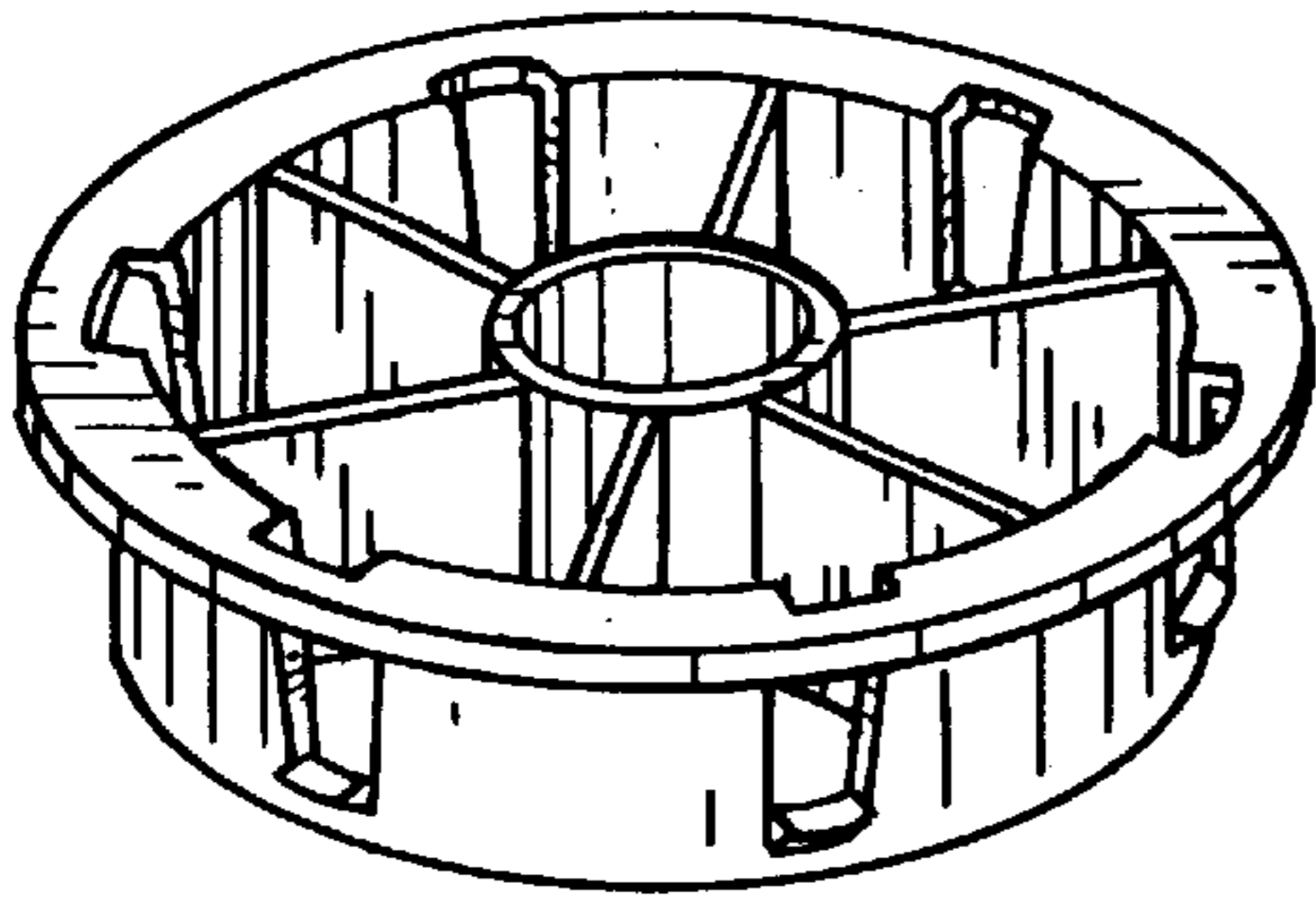


FIG. 6

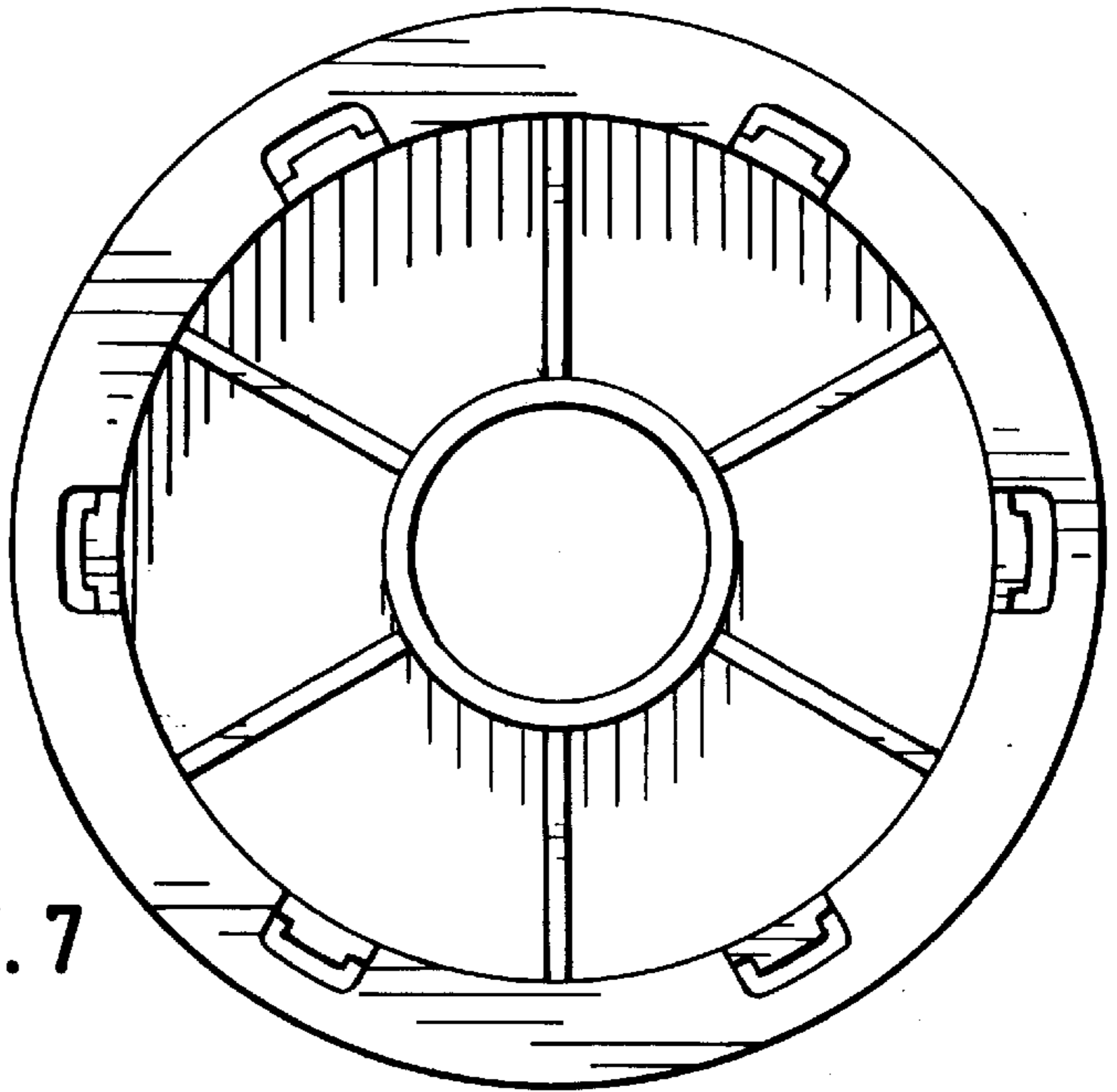


FIG. 7

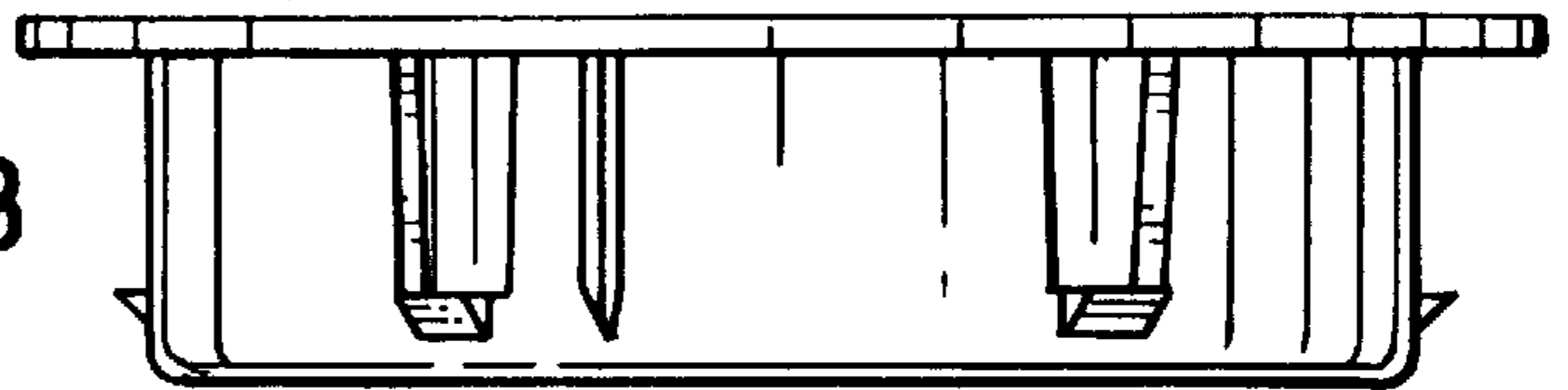


FIG. 8

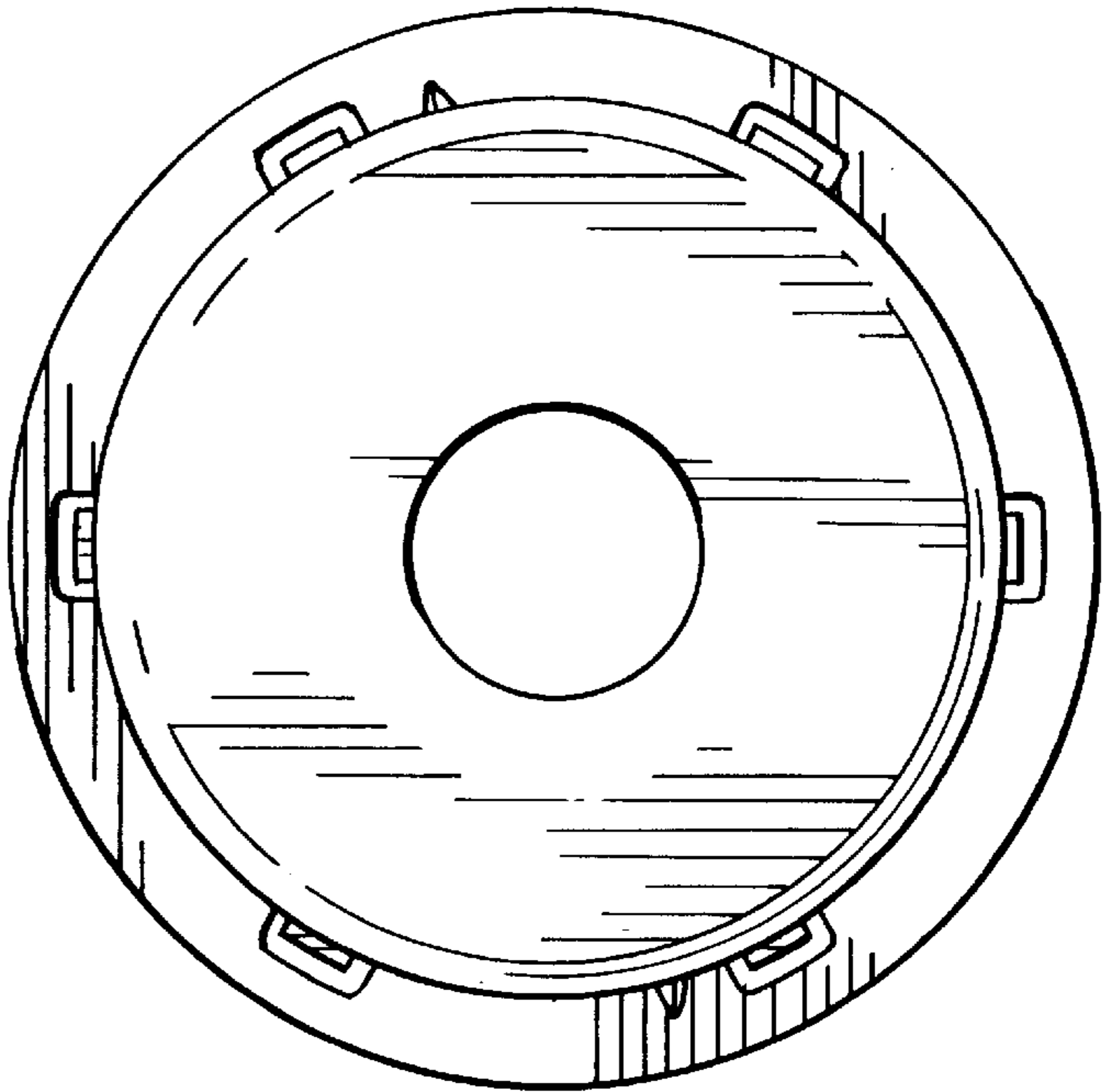


FIG. 9

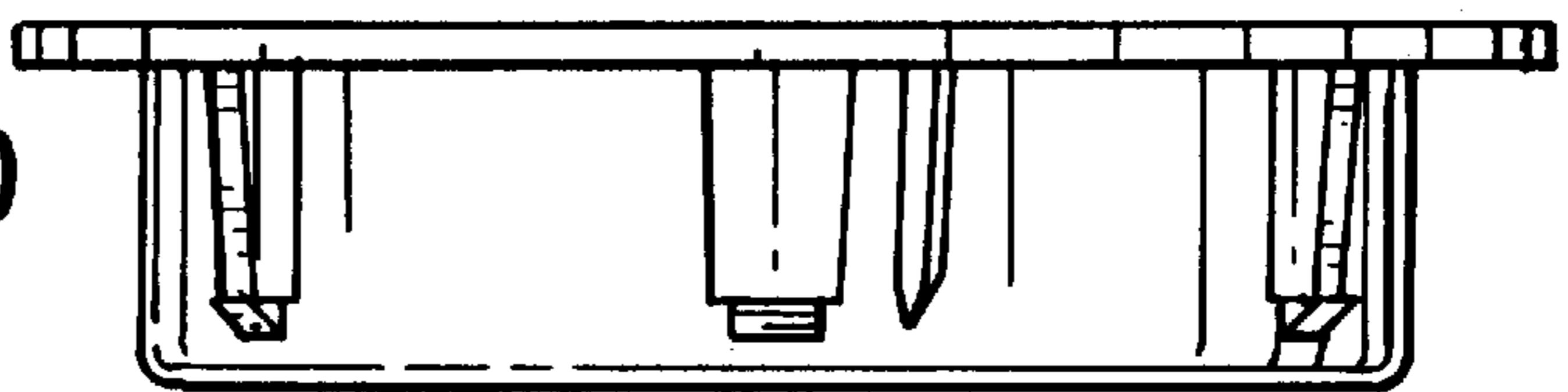


FIG. 10