



US00D406044S

**United States Patent** [19]  
**Turner**

[11] **Patent Number: Des. 406,044**

[45] **Date of Patent: \*\*Feb. 23, 1999**

[54] **PROTECTIVE COVER FOR A PADLOCK**

[76] Inventor: **Lance Turner**, P.O. Box 11073, Marina del Rey, Calif. 90292

[\*\*] Term: **14 Years**

[21] Appl. No.: **90,643**

[22] Filed: **Jul. 13, 1998**

D. 292,869	11/1987	Lebrecht	.....	D8/346
D. 325,158	4/1992	Lebrecht	.....	D8/346
D. 362,600	9/1995	Heald	.....	D8/346
D. 395,224	6/1998	Turner	.....	D8/346
3,453,758	7/1969	Soref	.....	70/55 X
4,317,344	3/1982	Barnard	.....	70/55 X
5,704,231	6/1998	Heald	.....	70/54

*Primary Examiner*—Brian N. Vinson

**Related U.S. Application Data**

[60] Continuation-in-part of Ser. No. 75,769, Aug. 22, 1997, Pat. No. Des. 398,513, which is a division of Ser. No. 55,622, Feb. 11, 1997, Pat. No. Des. 395,224, which is a division of Ser. No. 42,437, Aug. 10, 1995, Pat. No. Des. 379,059.

[51] **LOC (6) Cl.** ..... **08-07**

[52] **U.S. Cl.** ..... **D8/346**

[58] **Field of Search** ..... D8/346, 330–331, D8/343, 333, 334; 70/14, 20, 23, 51, 52, 54, 56, 443, 448

[57] **CLAIM**

The ornamental design for a protective cover for a padlock, as shown and described.

**DESCRIPTION**

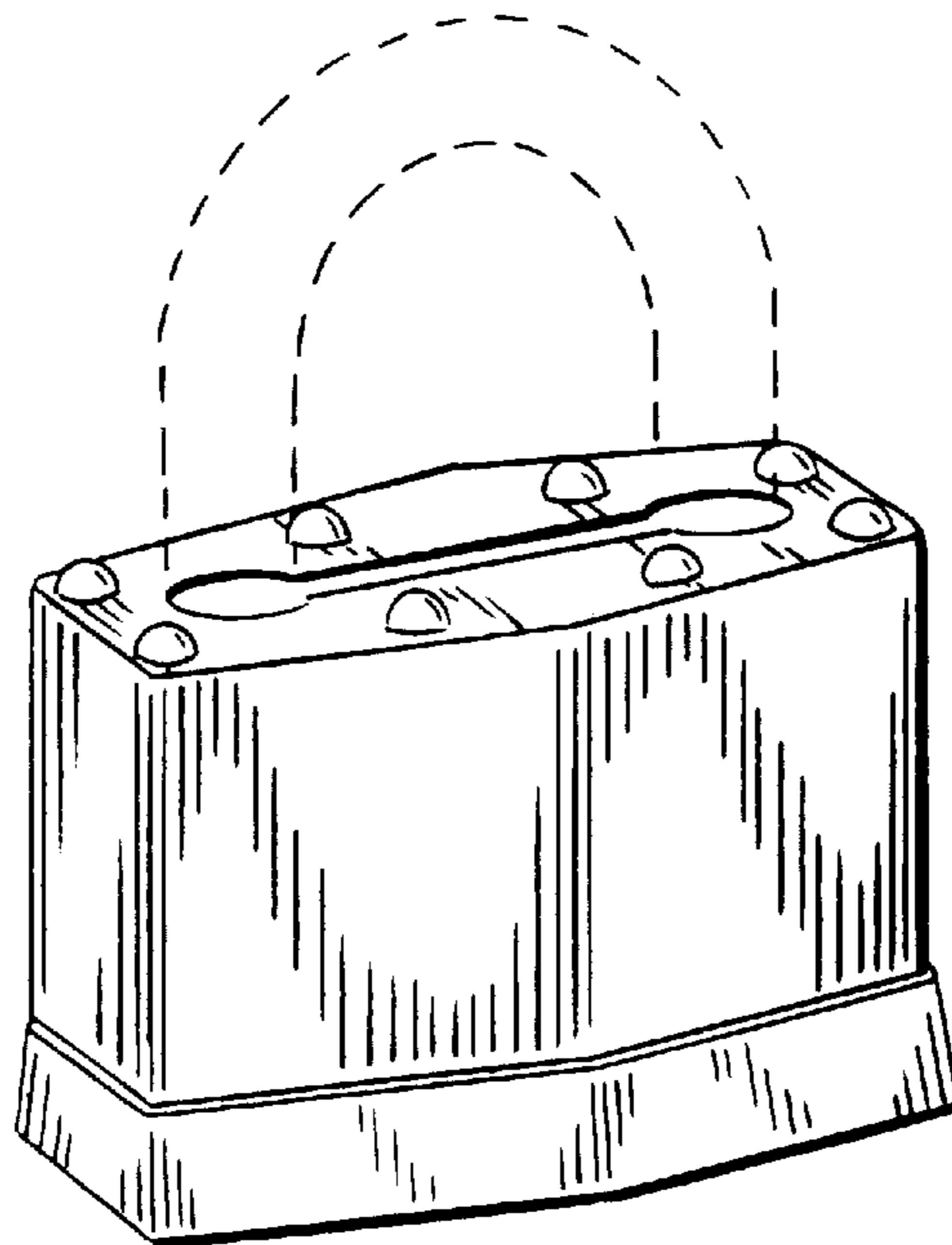
FIG. 1 is a perspective view of a protective cover for a padlock showing my new design, the broken-line disclosure of portions of a padlock being for illustrative purposes only and forming no part of the claimed design; FIG. 2 is a front elevational view with the rear elevational view being a mirror image thereof; FIG. 3 is a left elevational view with the right side elevational view being a mirror image thereof; FIG. 4 is a top plan view thereof; and, FIG. 5 is a bottom plan view thereof.

[56] **References Cited**

**U.S. PATENT DOCUMENTS**

D. 243,150 1/1977 Dykes ..... D8/346

**1 Claim, 1 Drawing Sheet**



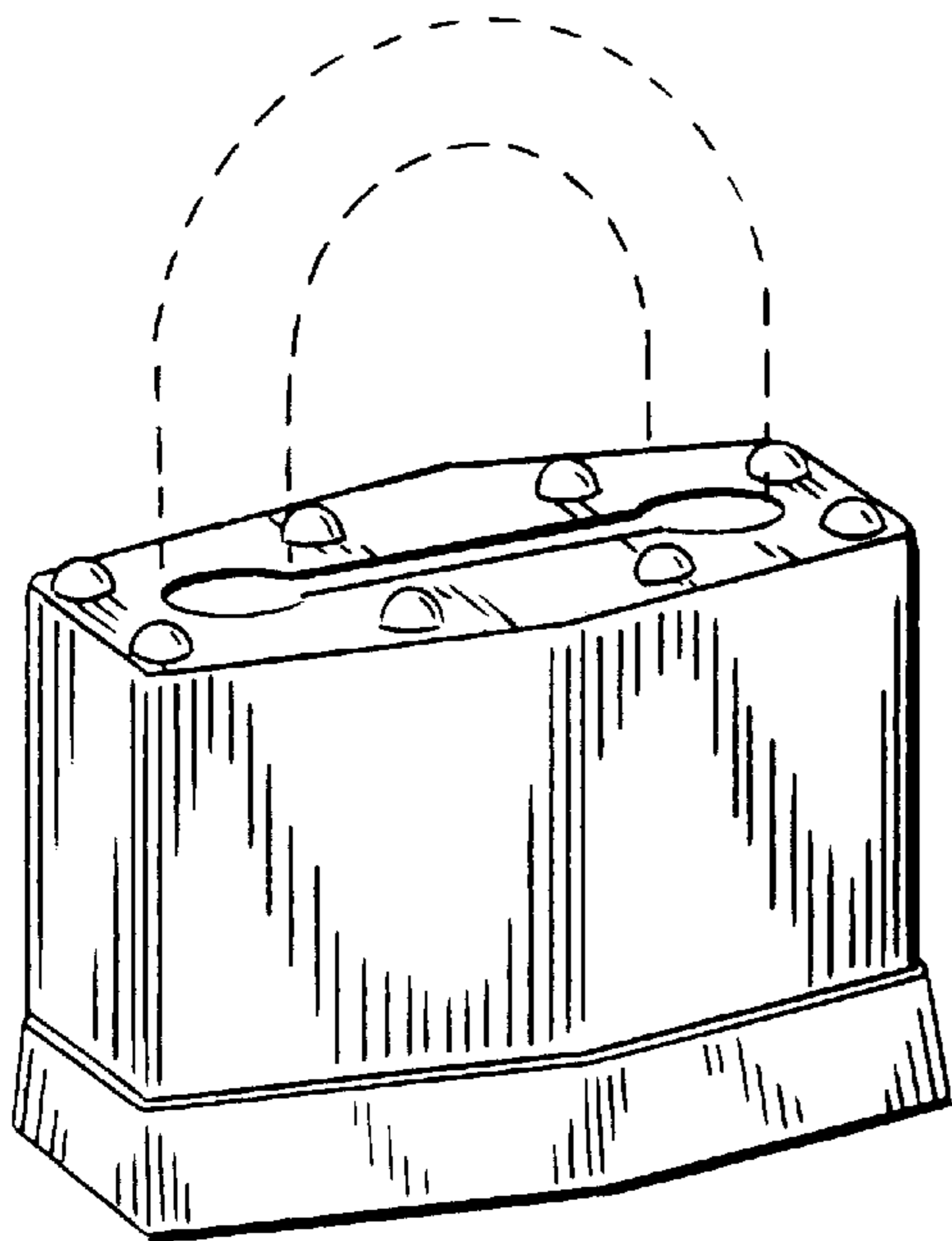


FIG. 1

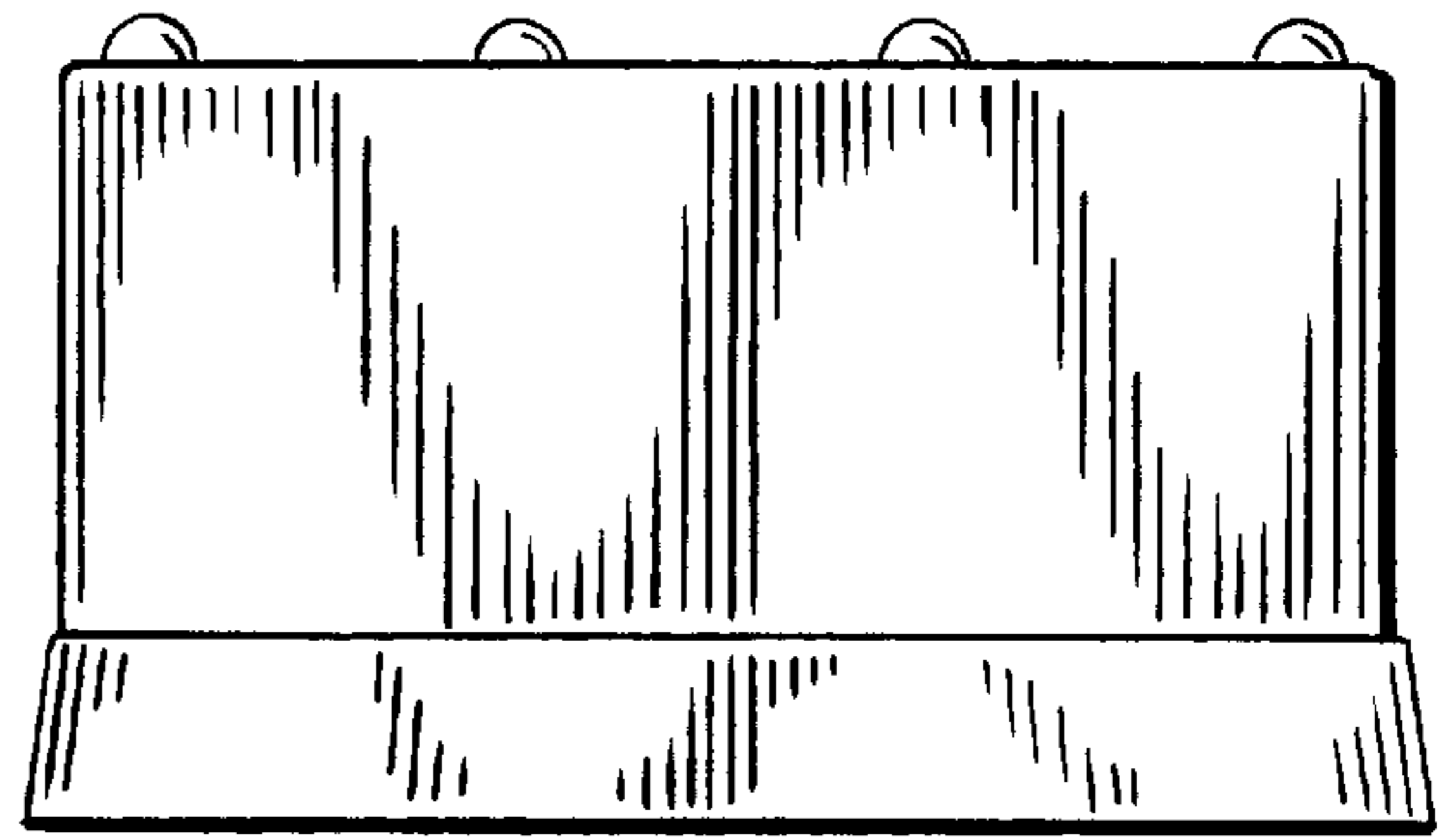


FIG. 2

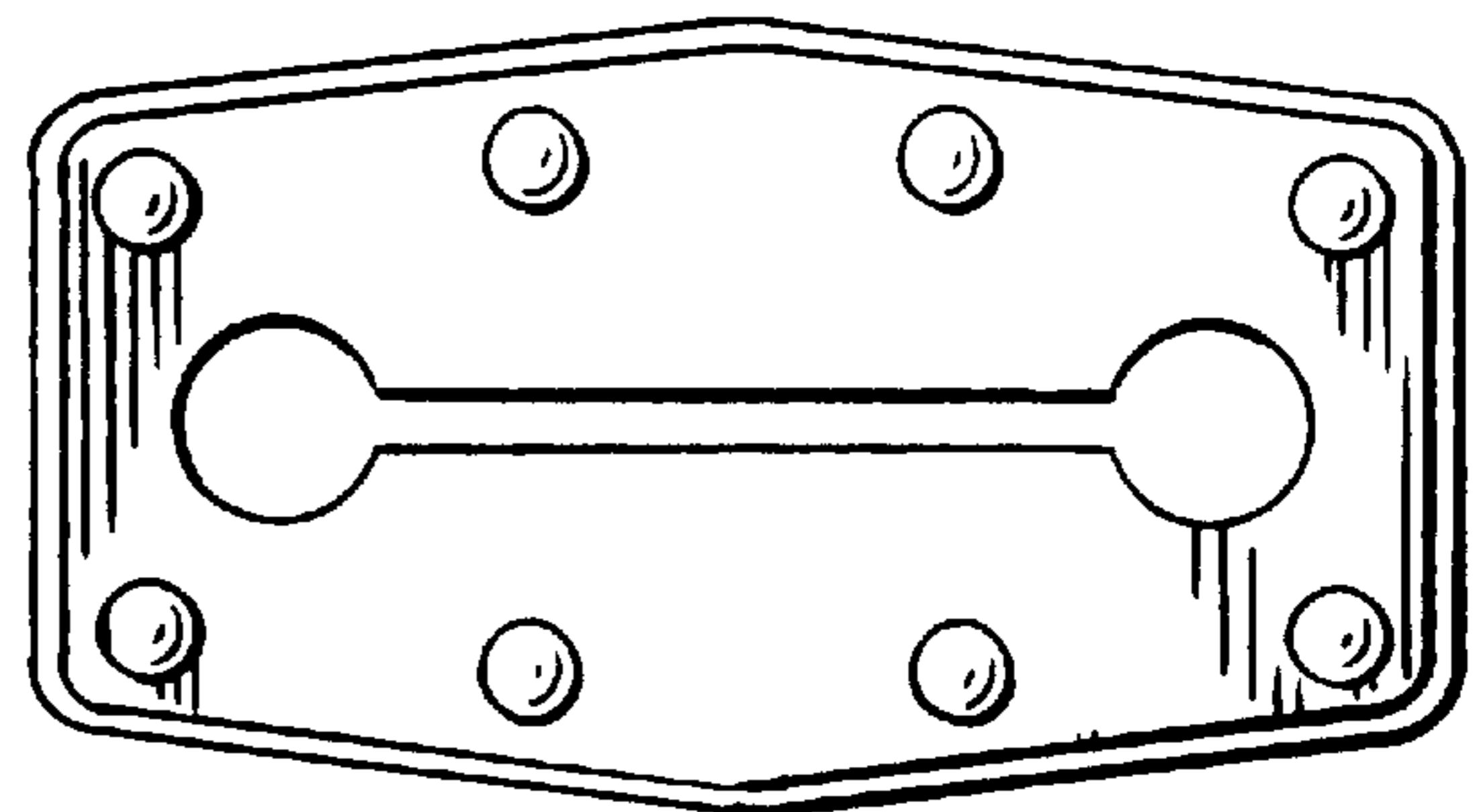


FIG. 4

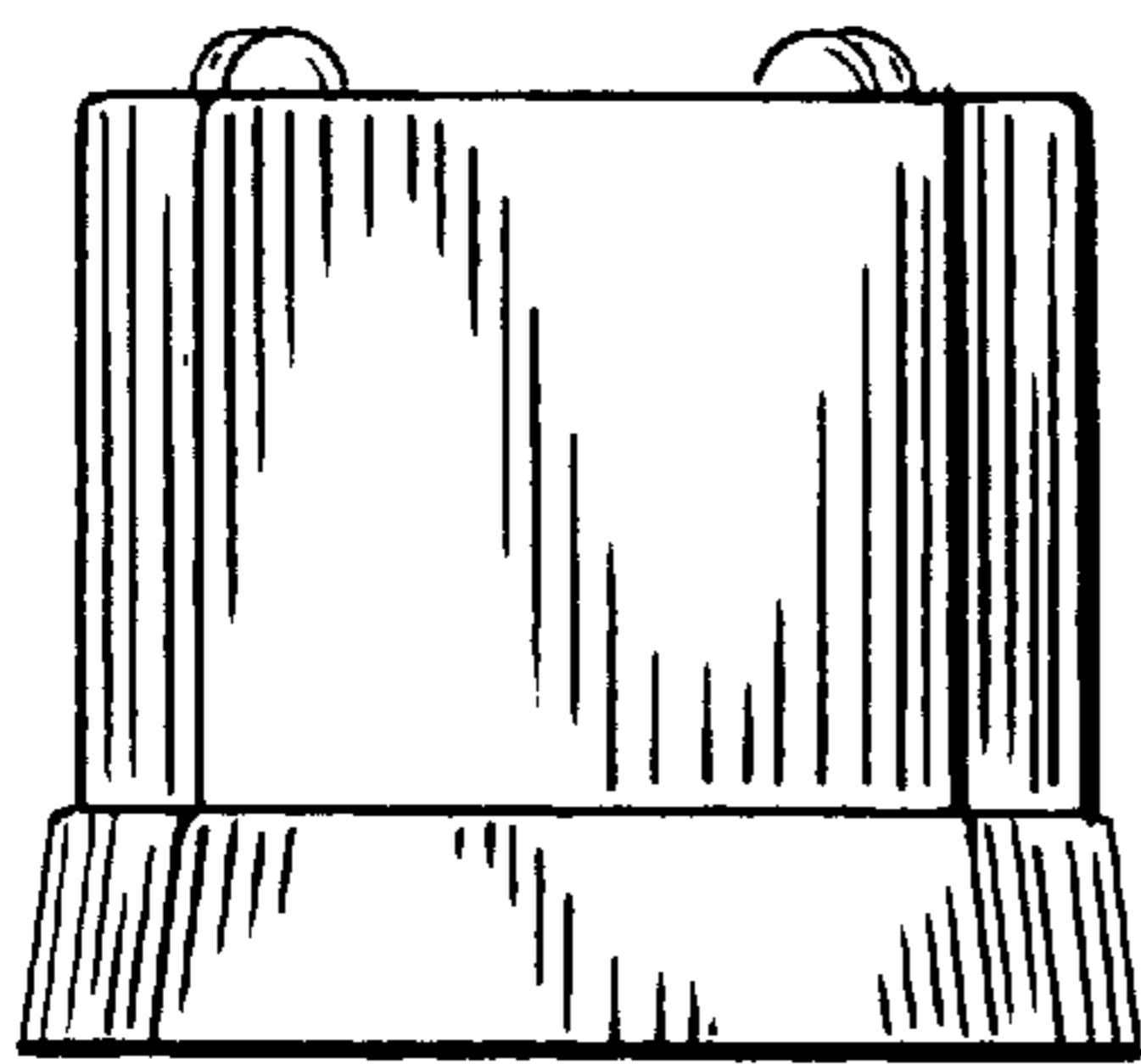


FIG. 3

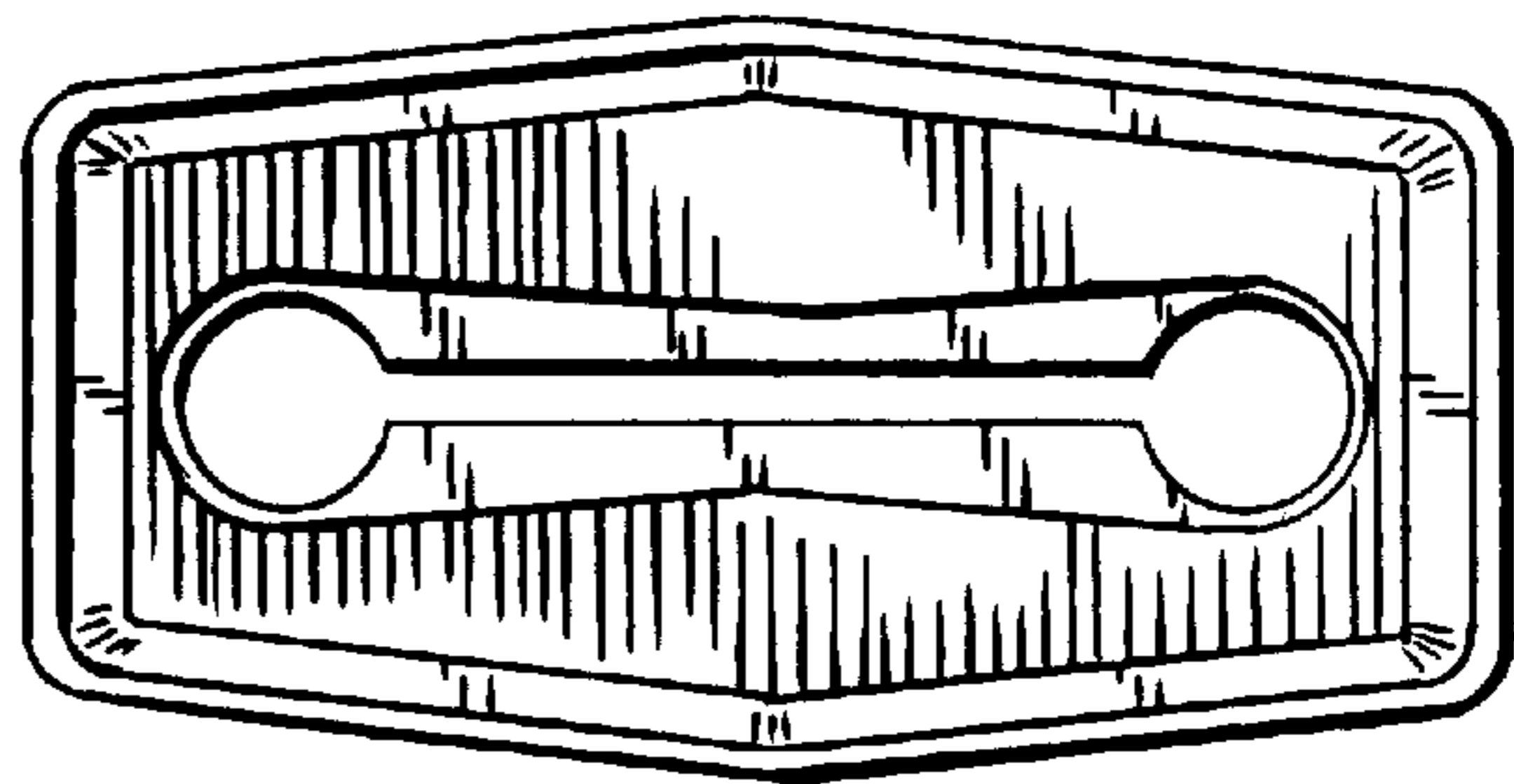


FIG. 5