



US00D406041S

United States Patent [19]

Hsu

[11] **Patent Number: Des. 406,041**

[45] **Date of Patent: **Feb. 23, 1999**

[54] **BICYCLE HANDLE SHIFTER GRIP**

D. 396,396 7/1998 Larson D8/303

[76] Inventor: **Yi-Hsung Hsu**, No.9,Lane 130,Sec. 1,Kuang Fu Rd., Sanchung City,Taipei Hsien, Taiwan

Primary Examiner—Melody N. Brown
Attorney, Agent, or Firm—Pro-Techtor International Services

[**] Term: **14 Years**

[57] CLAIM

[21] Appl. No.: **82,456**

The ornamental design for a bicycle handle shifter grip, as shown and described.

[22] Filed: **Jan. 22, 1998**

DESCRIPTION

[51] **LOC (6) Cl.** **08-06**

[52] **U.S. Cl.** **D8/303**

[58] **Field of Search** D8/303, 300; 116/110 R, 116/110 S, 111 R; 74/551.8, 551.9

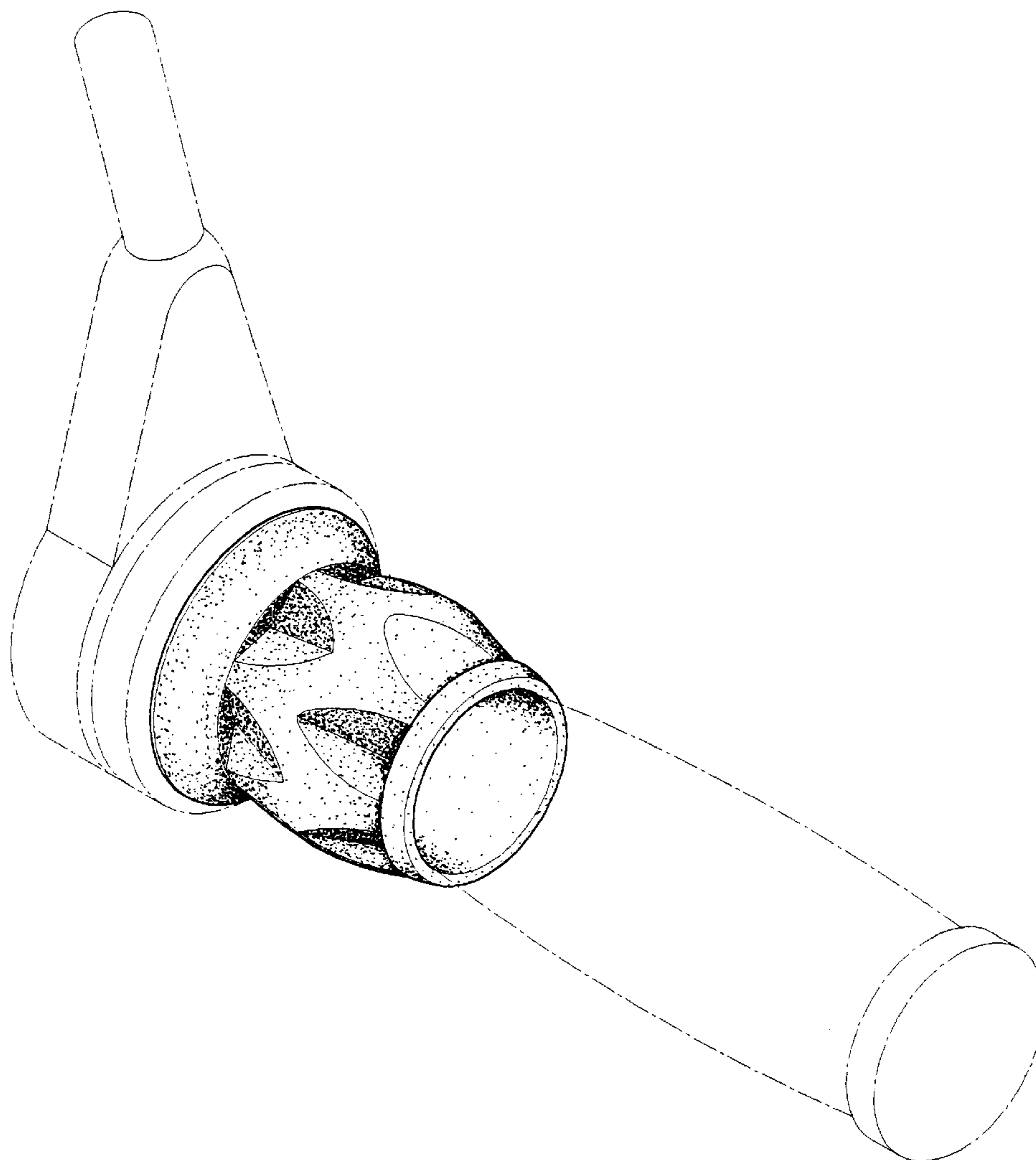
FIG. 1 is a perspective view of a bicycle handle shifter grip showing my new design;
FIG. 2 is a front elevational view thereof;
FIG. 3 is a rear elevational view thereof;
FIG. 4 is a top plan view thereof;
FIG. 5 is a bottom plan view thereof;
FIG. 6 is a left side elevational view thereof; and
FIG. 7 is a right side elevational view thereof; and,
FIG. 8 is a perspective view thereof, the broken lines are shown for illustrative purposes only and form no part of the claimed design.

[56] References Cited

U.S. PATENT DOCUMENTS

- D. 297,807 9/1988 Fildan D8/300
- D. 377,895 2/1997 Theken D8/303
- D. 389,391 1/1998 Duston D8/303
- D. 391,824 3/1998 Larson D8/303
- D. 391,825 3/1998 Larson D8/303
- D. 393,194 4/1998 Hogue et al. D8/303 X

1 Claim, 5 Drawing Sheets



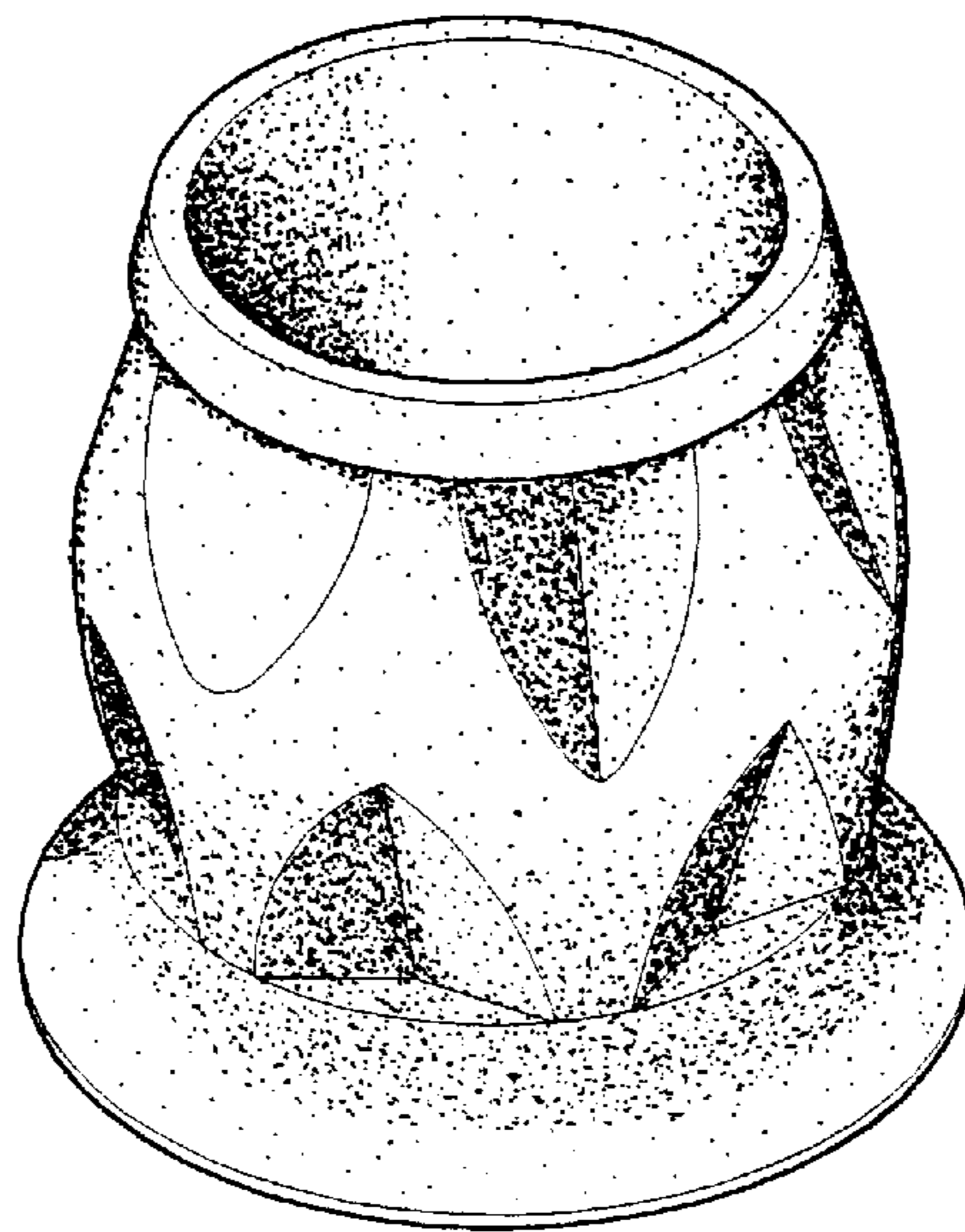


FIG. 1

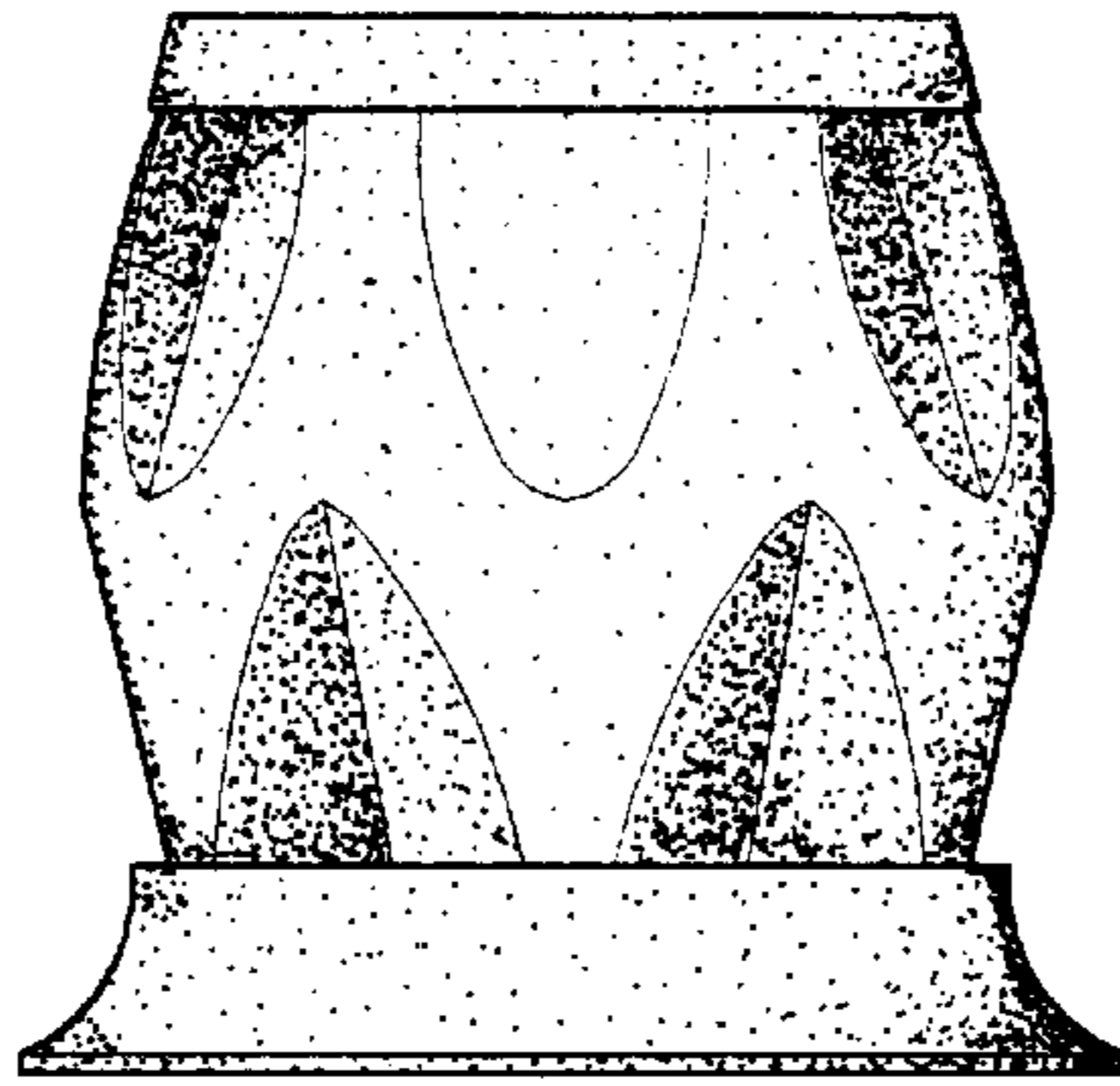


FIG. 2

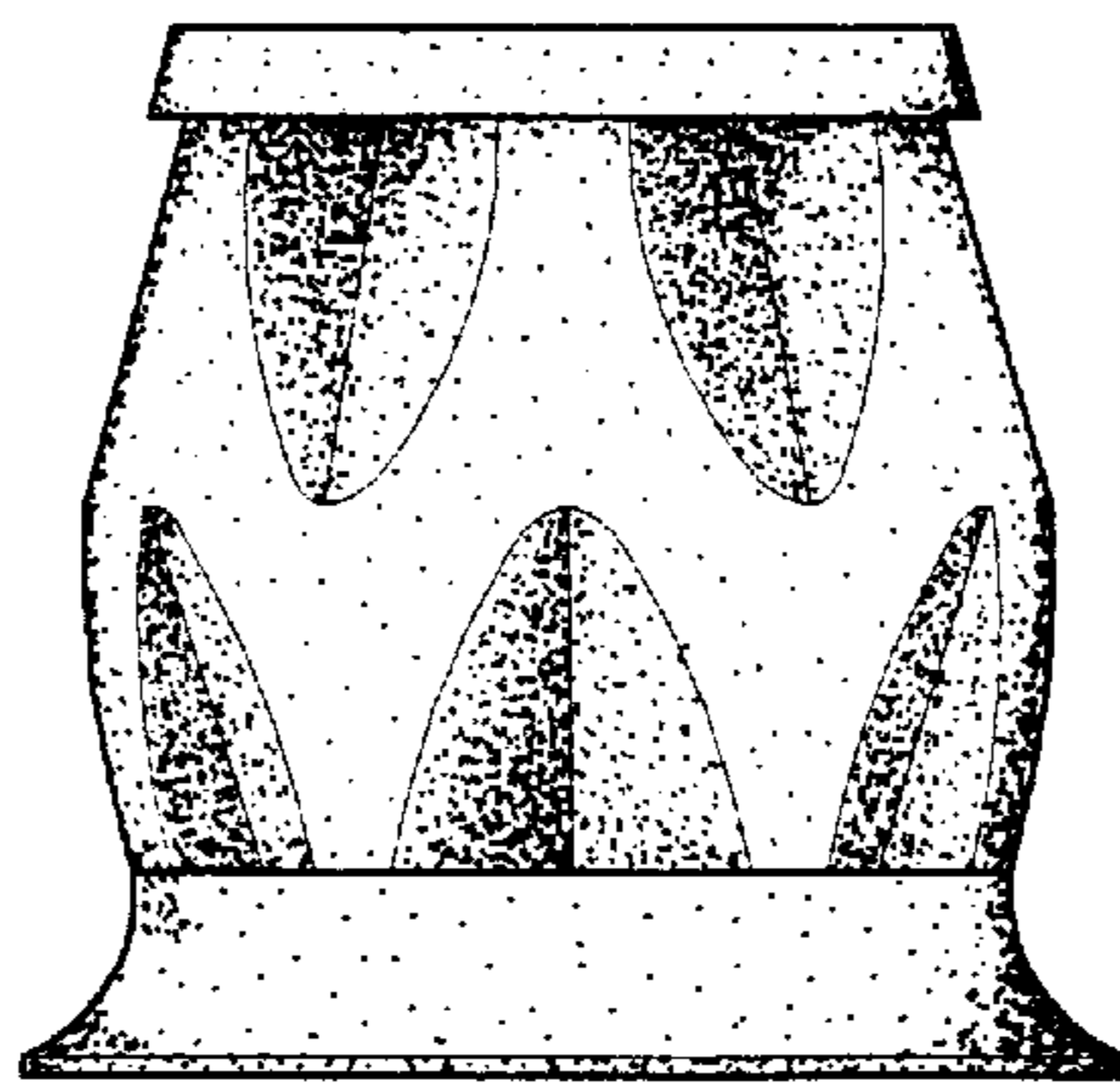


FIG. 6

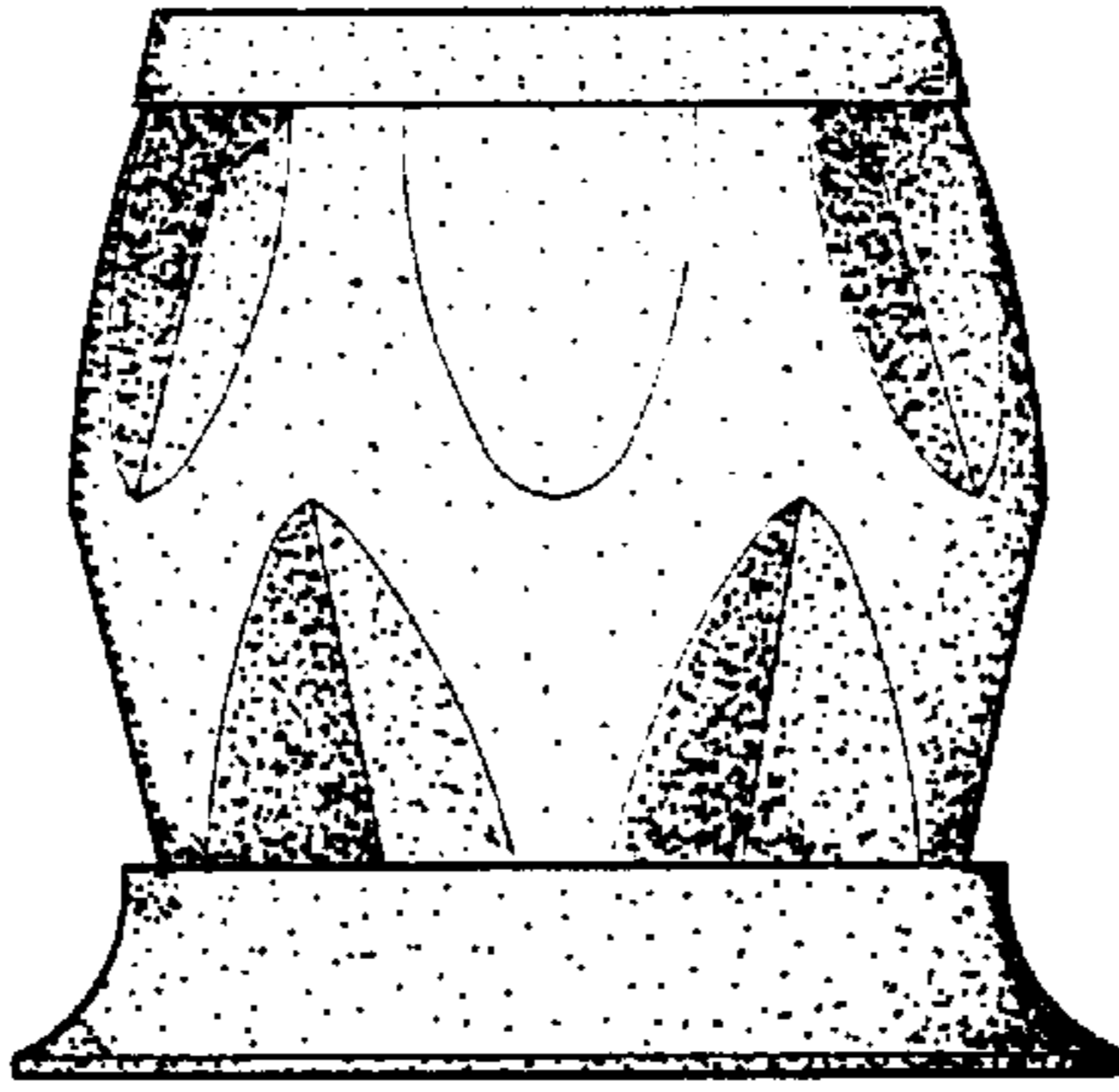


FIG. 3

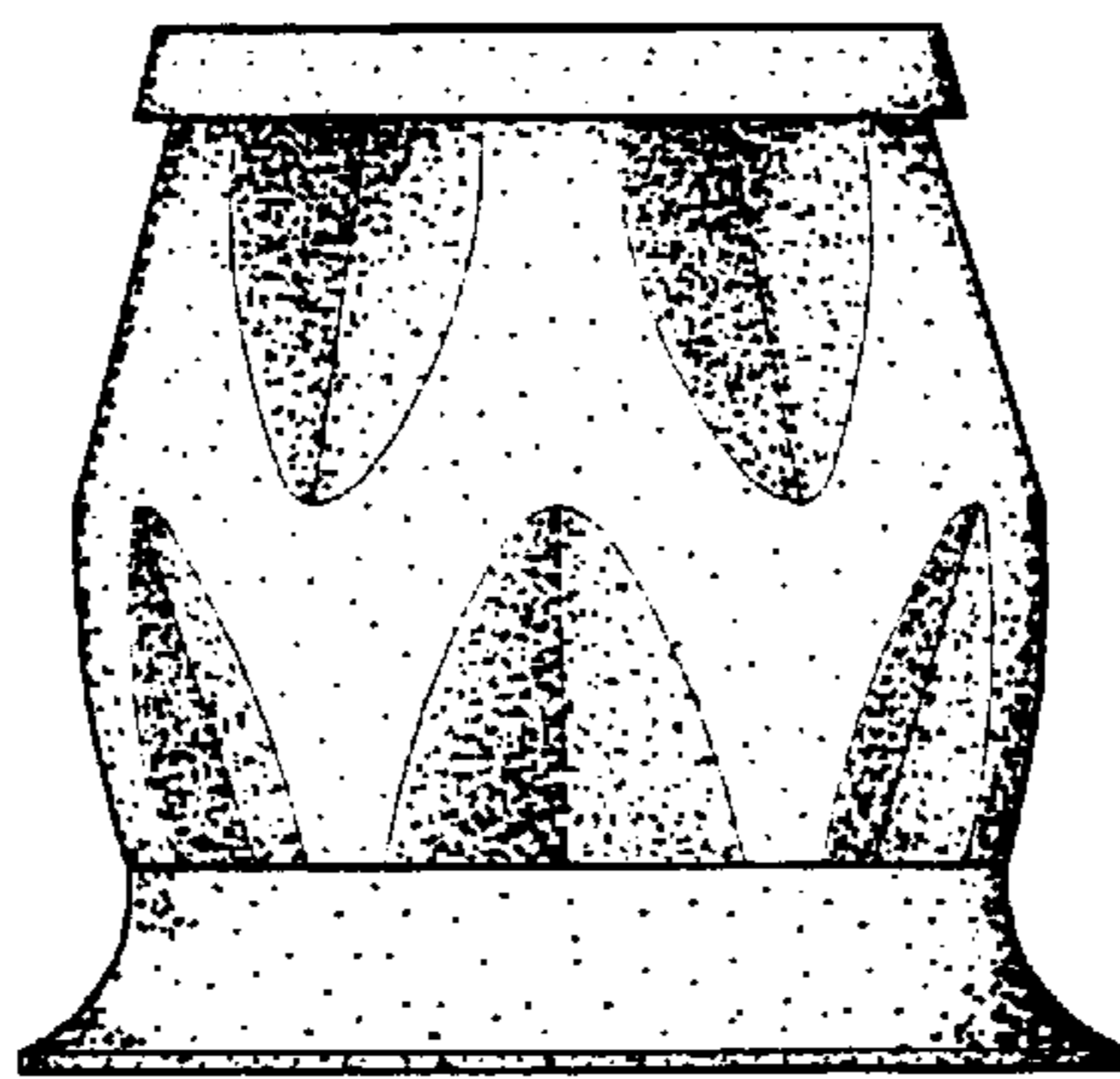


FIG. 7

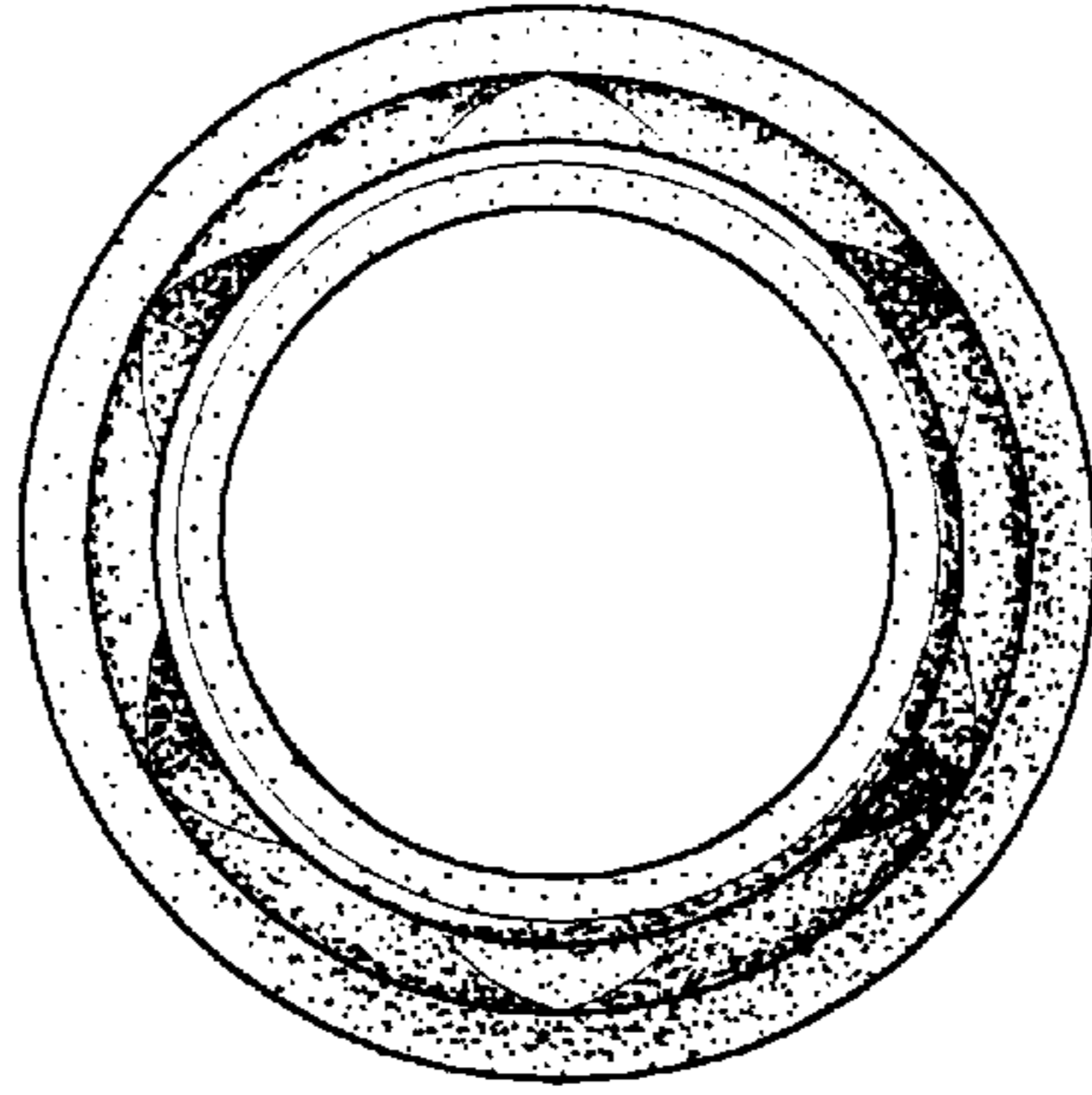


FIG. 4

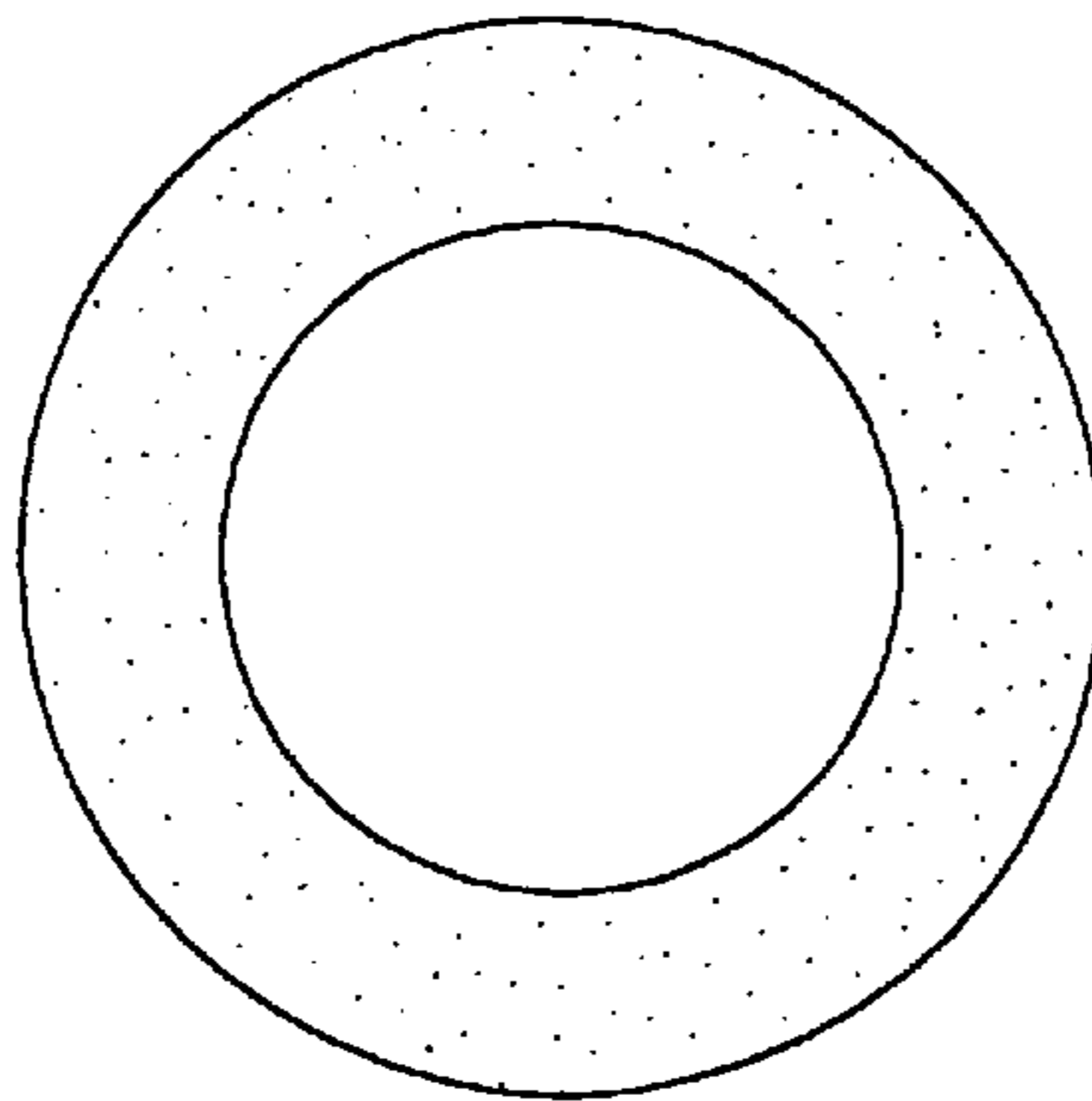


FIG. 5

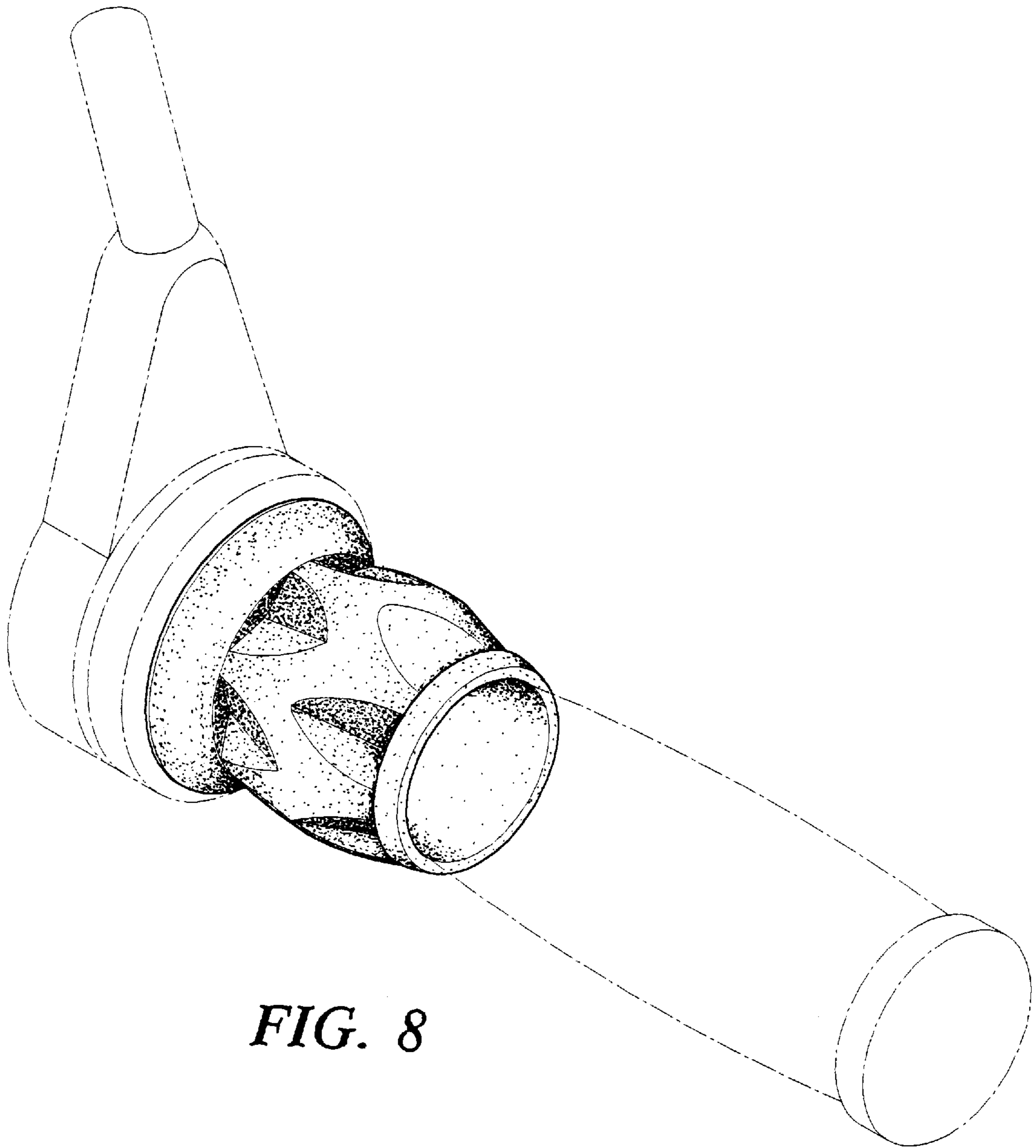


FIG. 8