



US00D406040S

**United States Patent** [19]  
**Kuehn**

[11] **Patent Number: Des. 406,040**

[45] **Date of Patent: \*\*Feb. 23, 1999**

- [54] **ERGONOMIC HANDLE**
- [75] Inventor: **Keith J. Kuehn**, Houston, Tex.
- [73] Assignee: **Compaq Computer Corporation**,  
Houston, Tex.
- [\*\*] Term: **14 Years**
- [21] Appl. No.: **87,937**
- [22] Filed: **May 12, 1998**
- [51] **LOC (6) Cl.** ..... **08-06**
- [52] **U.S. Cl.** ..... **D8/301; D8/306; D8/331;**  
D8/338
- [58] **Field of Search** ..... D8/300, 301, 306,  
D8/308, 350, 331, 336, 338, 353; 70/91,  
208; 292/1, 336.3, DIG. 31

- 3,044,815 7/1962 Soss .
- 4,631,937 12/1986 Debus et al. .... 70/208
- 5,450,735 9/1995 Esaki et al. .... 70/208
- 5,556,145 9/1996 Takasaki ..... 292/336.3

*Primary Examiner*—B. J. Bullock  
*Attorney, Agent, or Firm*—Pravel, Hewitt & Kimball

[57] **CLAIM**

The ornamental design for ergonomic handle, as shown and described.

**DESCRIPTION**

FIG. 1 is a top, front, and right side perspective view of an ergonomic handle showing my new design;  
FIG. 2 is a left side elevational view thereof; the right side elevational view being a mirror image thereof;  
FIG. 3 is a front elevational view thereof;  
FIG. 4 is a top plan view thereof; and,  
FIG. 5 is a bottom view thereof.

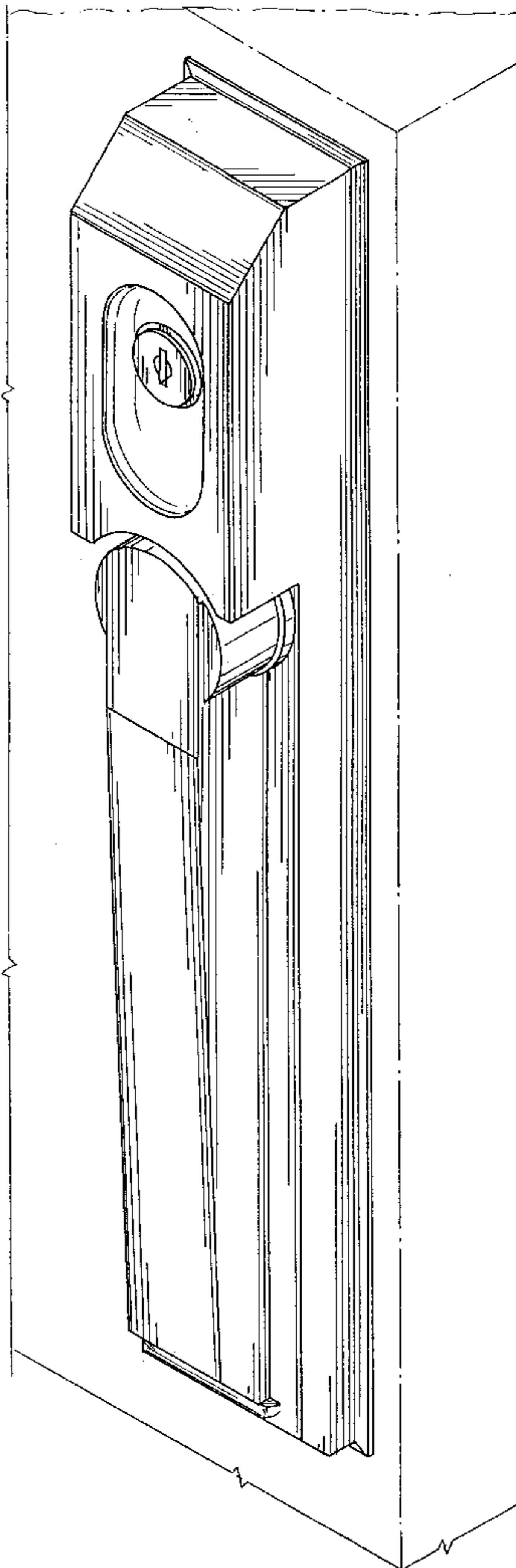
The broken line showing of a door in FIGS. 1-5 is for illustrative purposes only and forms no part of the claimed design.

[56] **References Cited**

**U.S. PATENT DOCUMENTS**

- D. 292,171 10/1987 Berg ..... D8/331
- D. 343,347 1/1994 Lau et al. .... D8/301
- D. 391,143 2/1998 Jancsek ..... D8/338
- D. 396,397 7/1998 Swan ..... D8/331

**1 Claim, 2 Drawing Sheets**



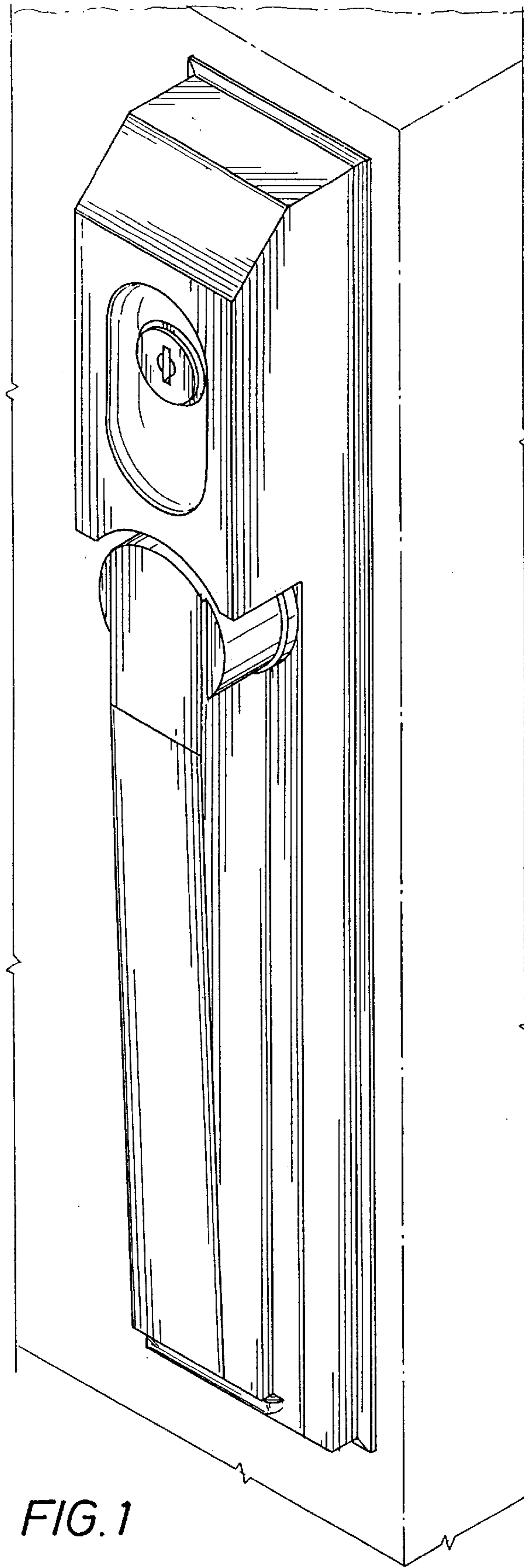


FIG. 1

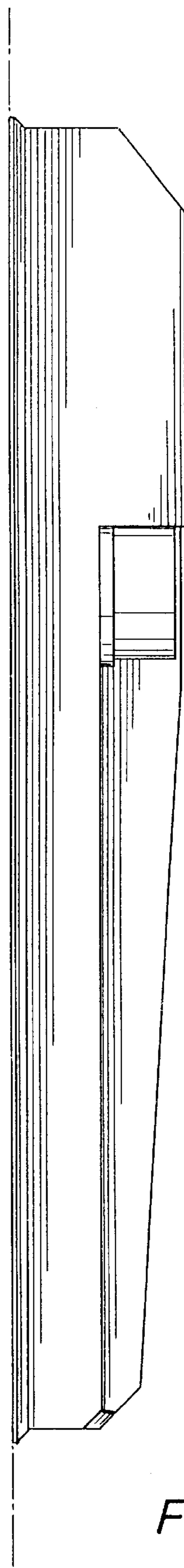


FIG. 2

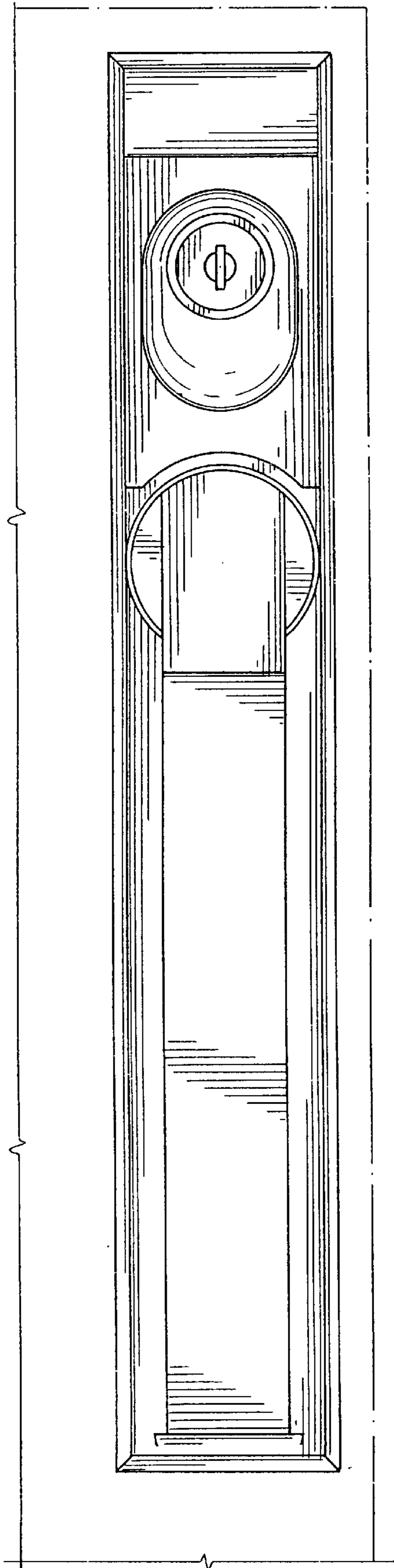


FIG. 3

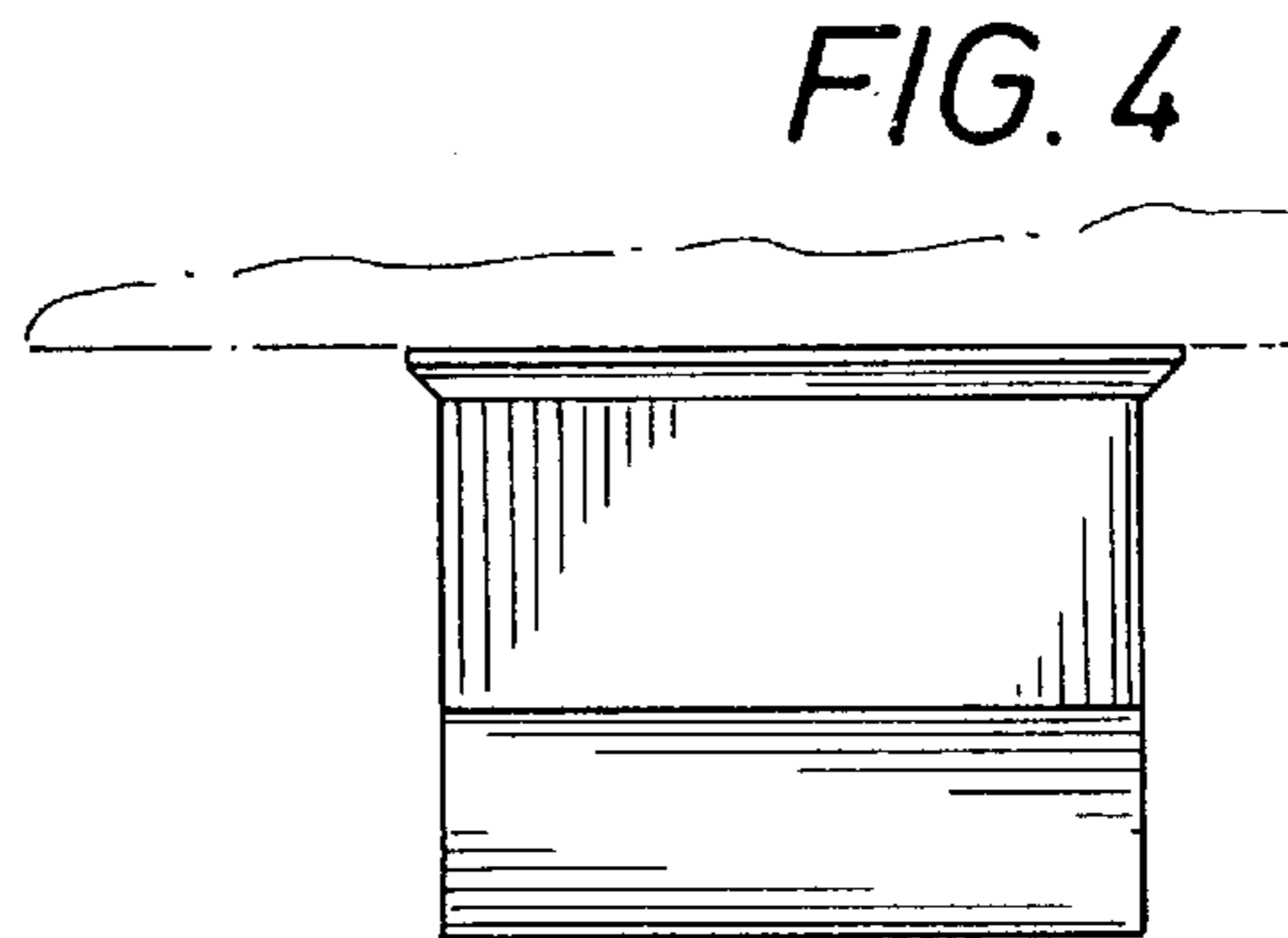


FIG. 4

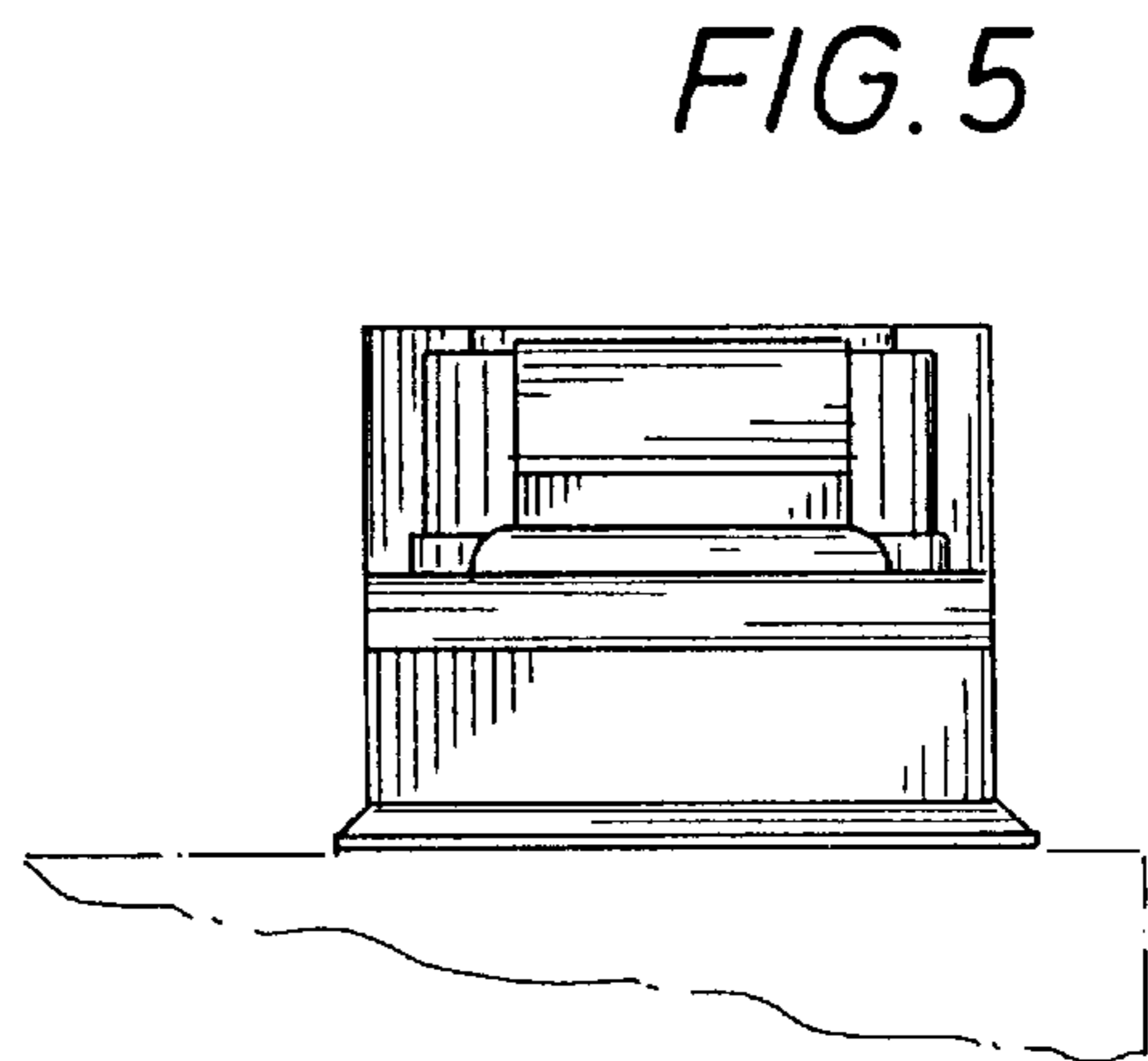


FIG. 5