



US00D406036S

United States Patent [19]

Flachslaender et al.

[11] Patent Number: **Des. 406,036**

[45] Date of Patent: ****Feb. 23, 1999**

[54] **FIXING DEVICE**

[75] Inventors: **Erwin Flachslaender**, Calw; **Werner Roessler**, Aidlingen, both of Germany

[73] Assignee: **Hewlett-Packard Company**, Palo Alto, Calif.

[**] Term: **14 Years**

[21] Appl. No.: **83,843**

[22] Filed: **Jan. 23, 1998**

[30] **Foreign Application Priority Data**

Sep. 8, 1997 [DE] Germany M 97 08 372.0

[51] **LOC (6) Cl.** **08-05**

[52] **U.S. Cl.** **D8/74**

[58] **Field of Search** D8/74; 269/246, 269/900; D15/138, 140

[56] **References Cited**

U.S. PATENT DOCUMENTS

D. 254,376 3/1980 Glomb et al. D8/74 X

D. 261,609 11/1981 Roux D8/74
D. 287,457 12/1986 Listes D8/74
4,874,156 10/1989 Goldzweig D8/74 X

Primary Examiner—Terry A. Wallace

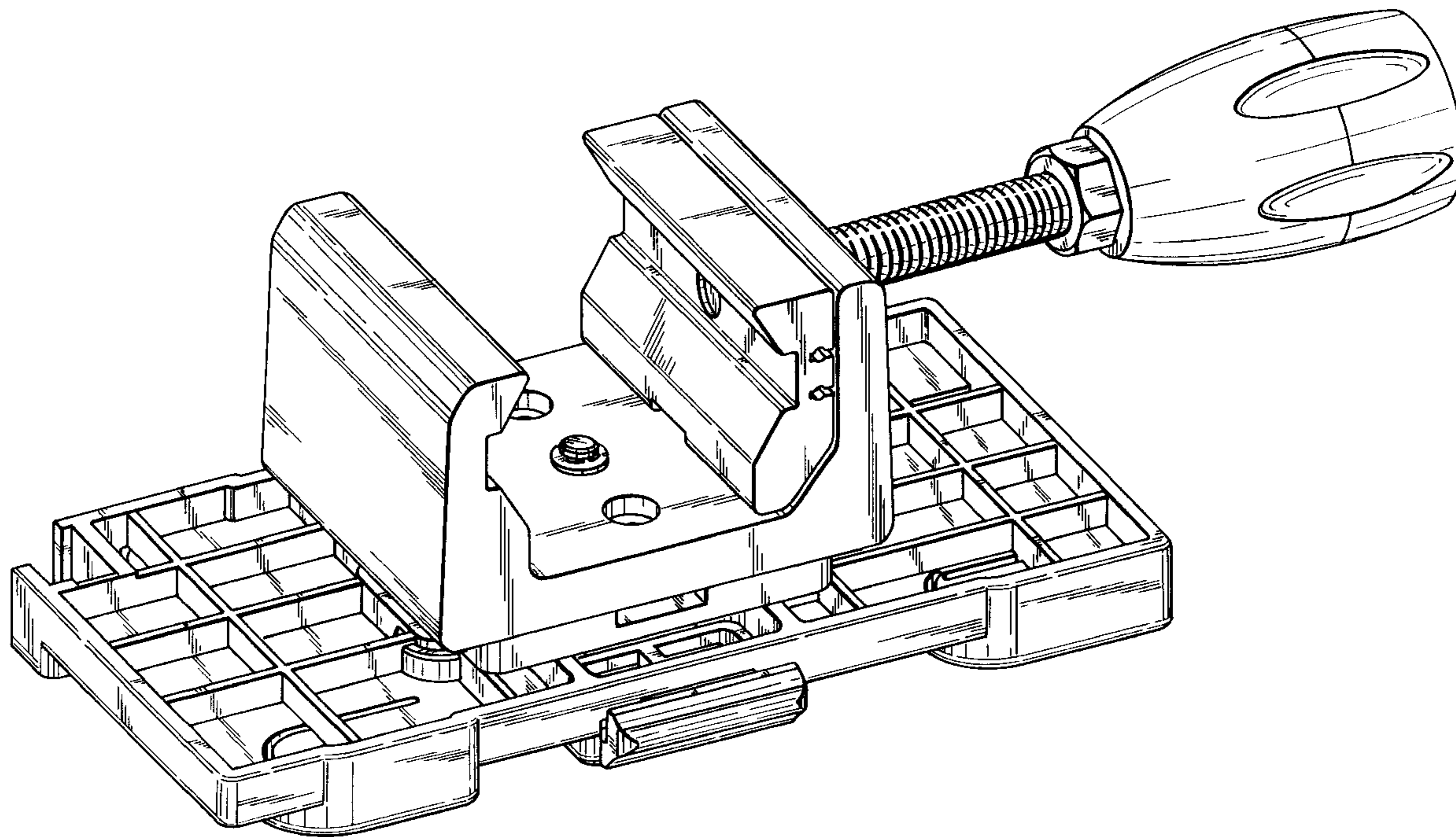
[57] **CLAIM**

We claim the ornamental design for a fixing device, as shown and described.

DESCRIPTION

FIG. 1 is a top, left side perspective view of a fixing device showing our new design;
FIG. 2 is a front elevational view of the fixing device of FIG. 1;
FIG. 3 is a top plan view of the fixing device of FIG. 1;
FIG. 4 is a bottom plan view of the fixing device of FIG. 1;
FIG. 5 is a rear elevational view of the fixing device of FIG. 1;
FIG. 6 is a left side elevational view of the fixing device of FIG. 1; and,
FIG. 7 is a right side elevational view of the fixing device of FIG. 1.

1 Claim, 6 Drawing Sheets



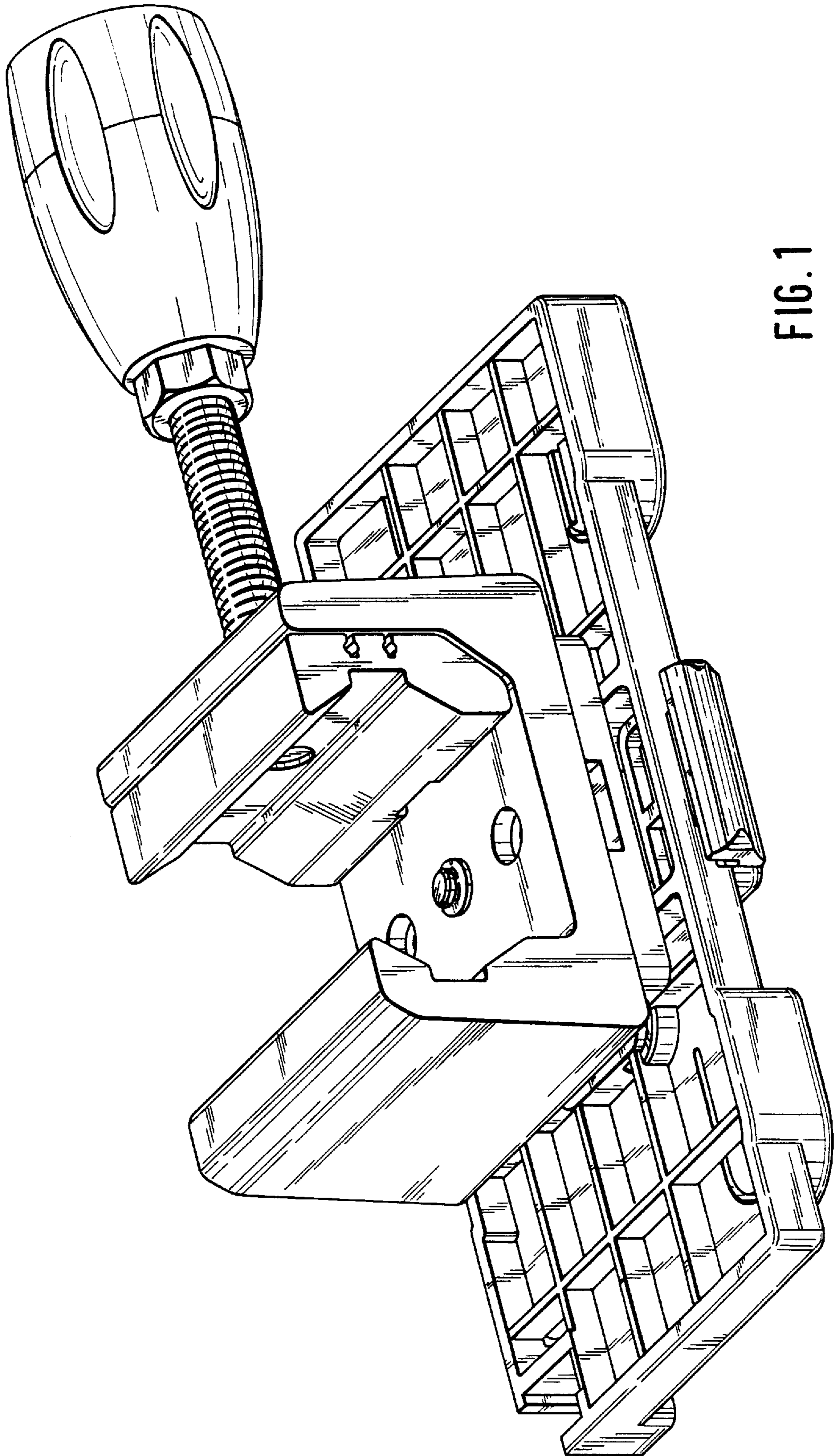


FIG. 1

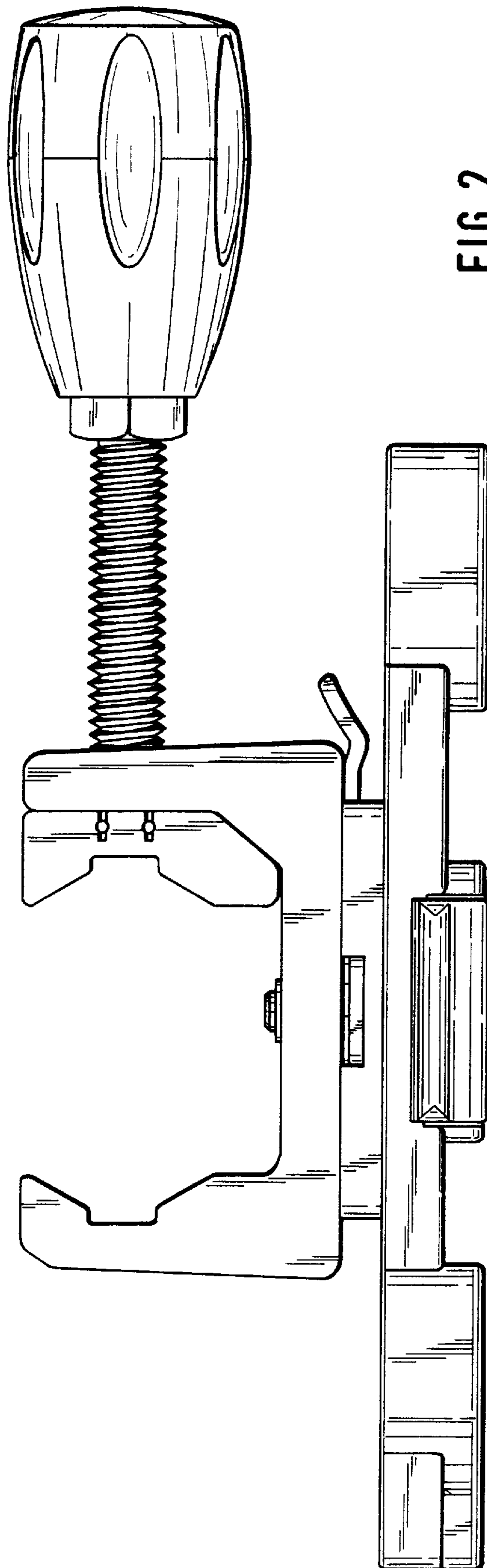


FIG. 2

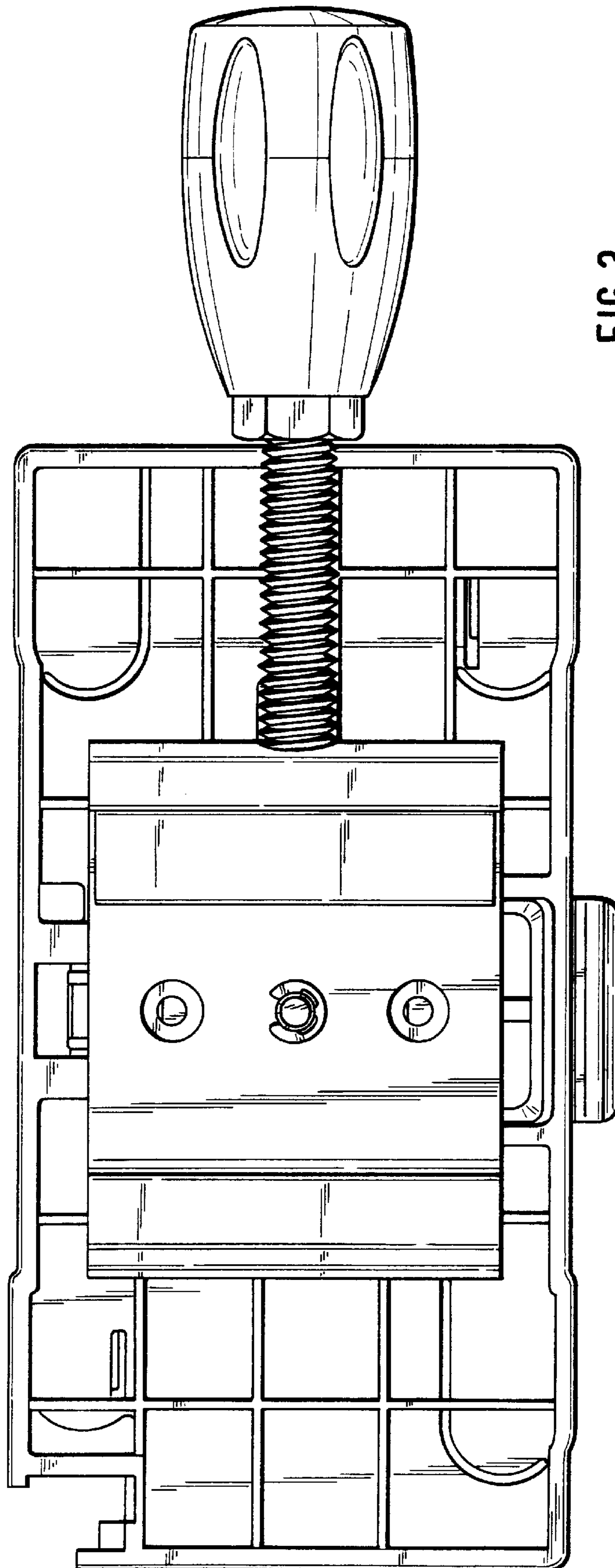


FIG. 3

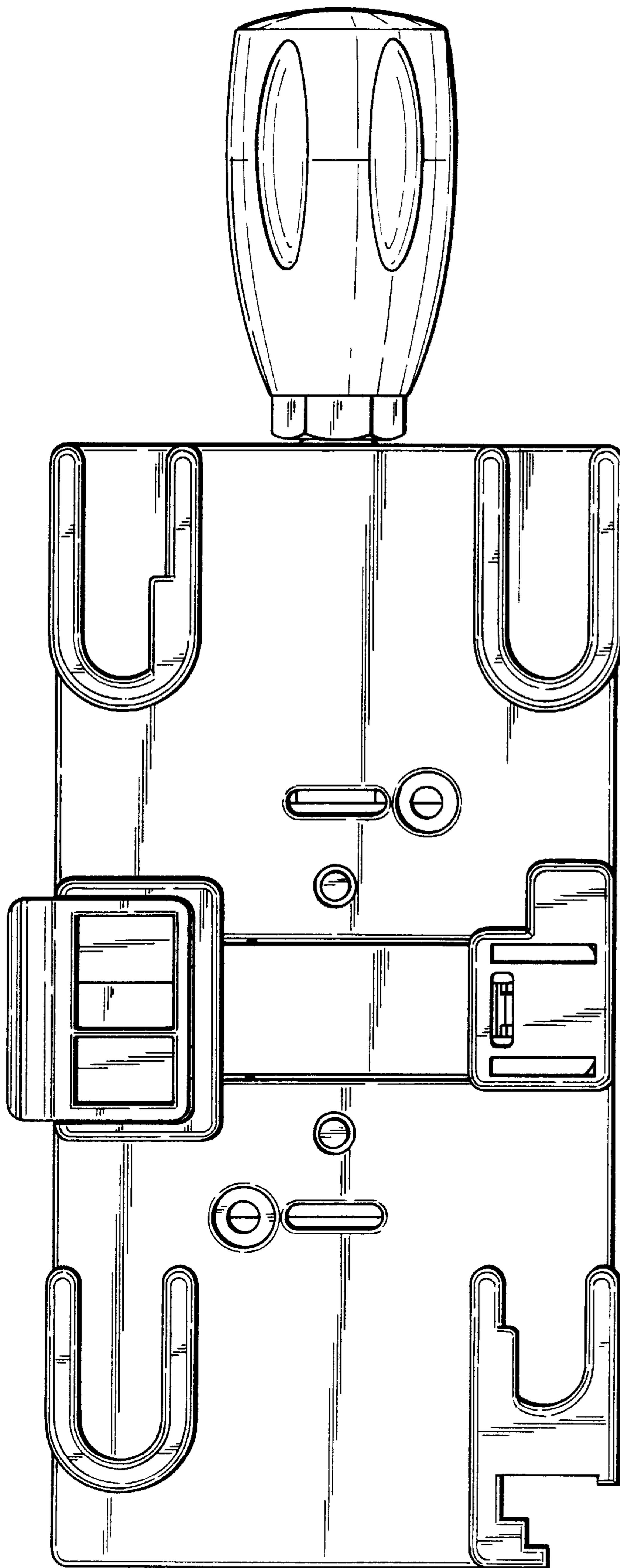


FIG. 4

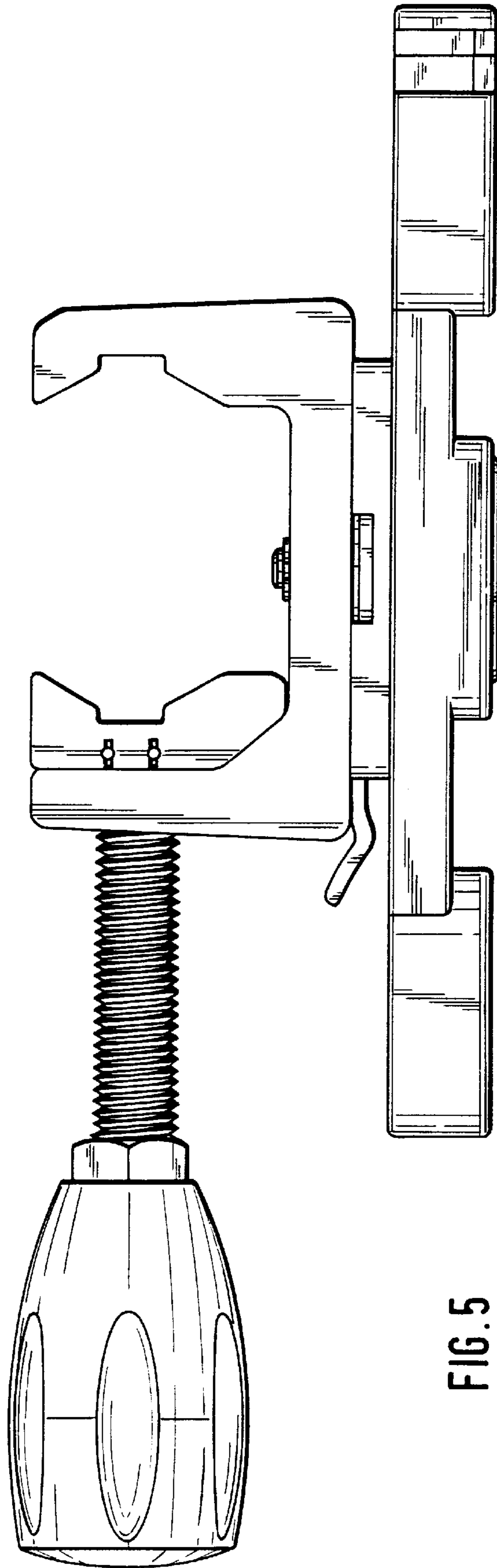


FIG. 5

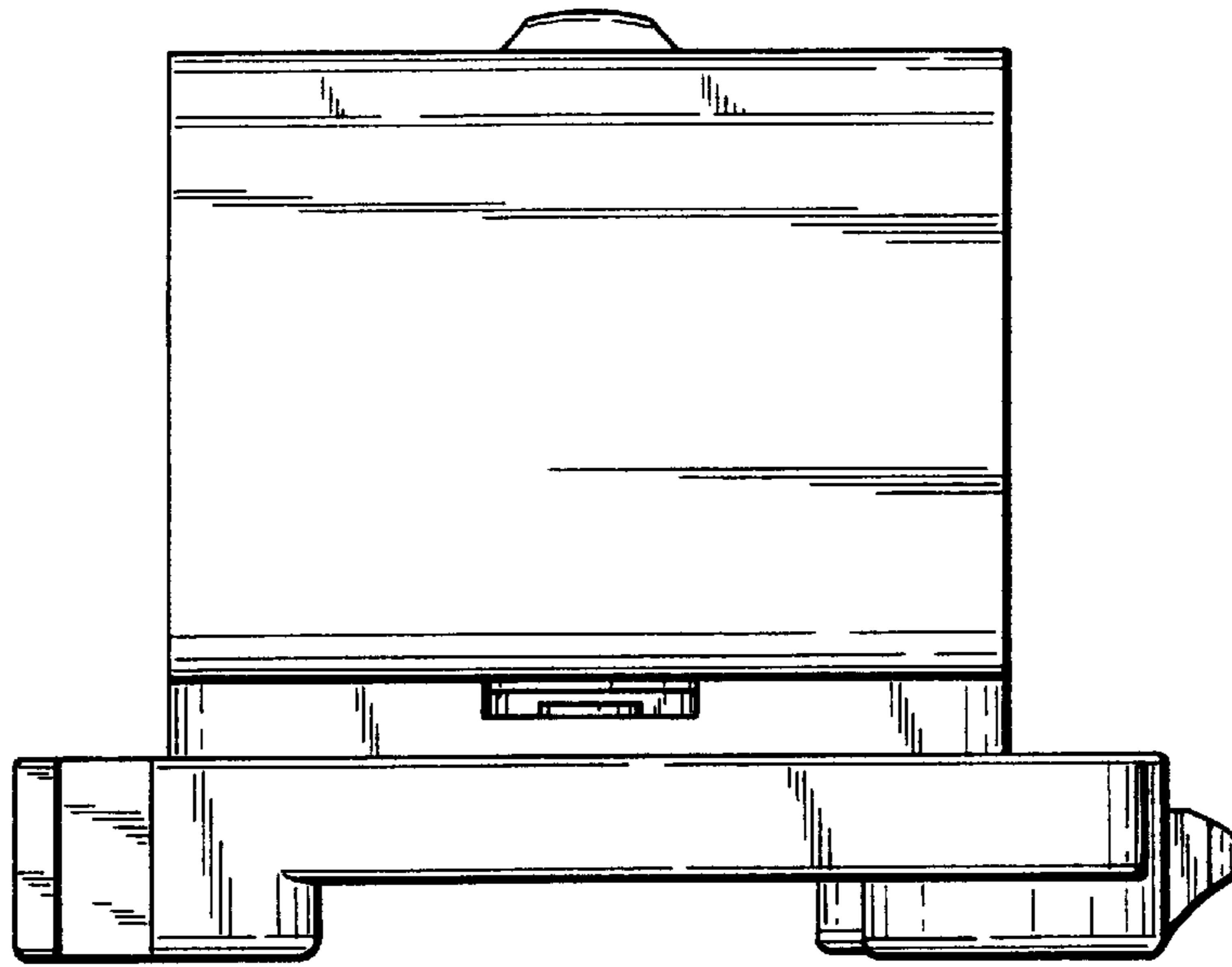


FIG. 6

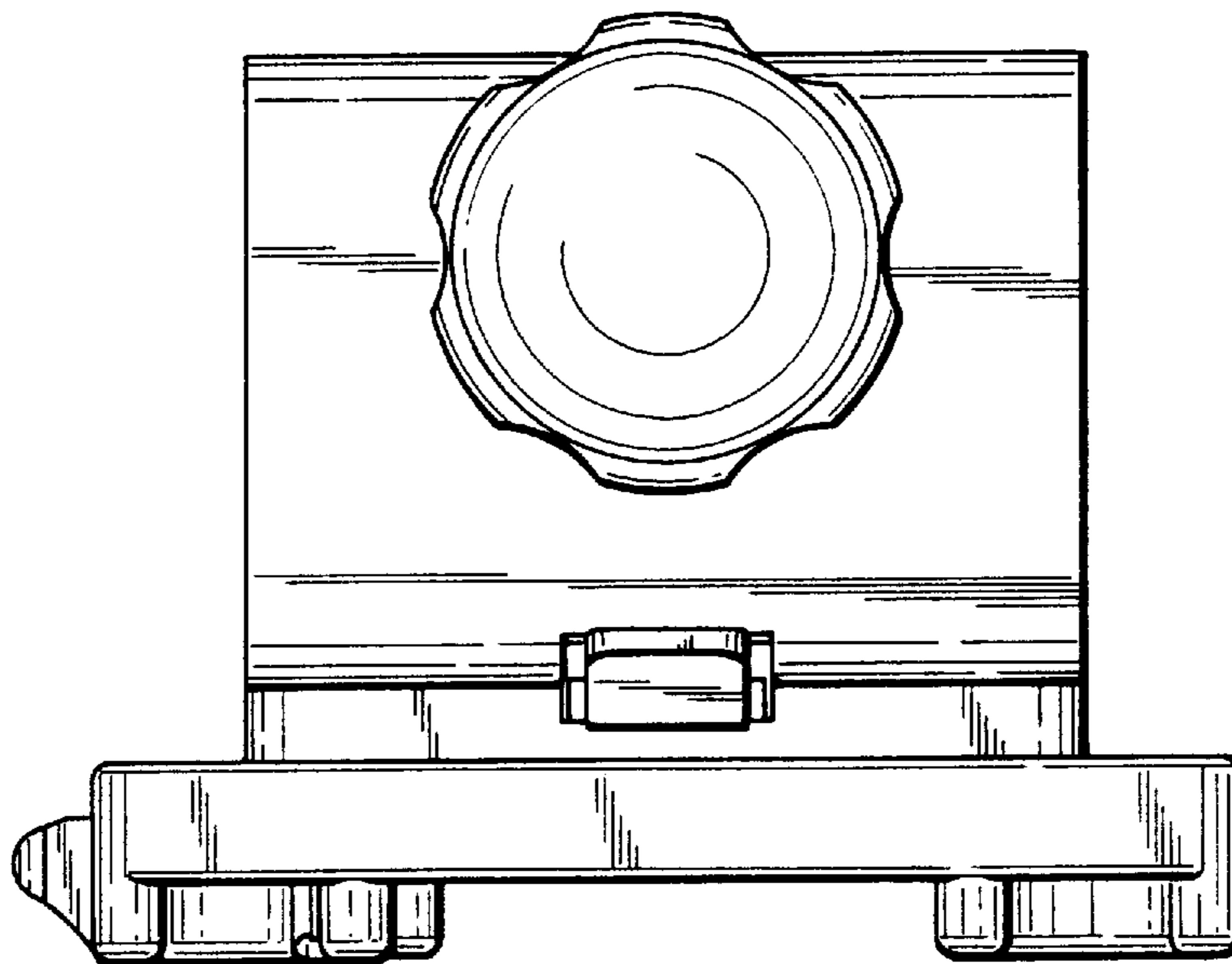


FIG. 7