



US00D406035S

United States Patent [19]

Erisoty et al.

[11] Patent Number: **Des. 406,035**

[45] Date of Patent: ****Feb. 23, 1999**

[54] MITER BOX WITH CLAMPING PINS

[75] Inventors: **Gregory J. Erisoty**, Riverton, Conn.;
James A. Martin, Baltimore, Md.

[73] Assignee: **The Stanley Works**, New Britain,
Conn.

[**] Term: **14 Years**

[21] Appl. No.: **86,076**

[22] Filed: **Apr. 3, 1998**

[51] LOC (6) Cl. **08-05**

[52] U.S. Cl. **D8/71**

[58] Field of Search D8/71; 83/762-767;
269/41, 283, 295

[56] **References Cited**

U.S. PATENT DOCUMENTS

- D. 358,750 5/1995 Regitko et al. D8/71
- D. 371,301 7/1996 Jacoff D8/71
- 4,945,648 8/1990 Roth et al. 83/762 X

Primary Examiner—Terry A. Wallace
Attorney, Agent, or Firm—Pepe & Hazard LLP

[57] **CLAIM**

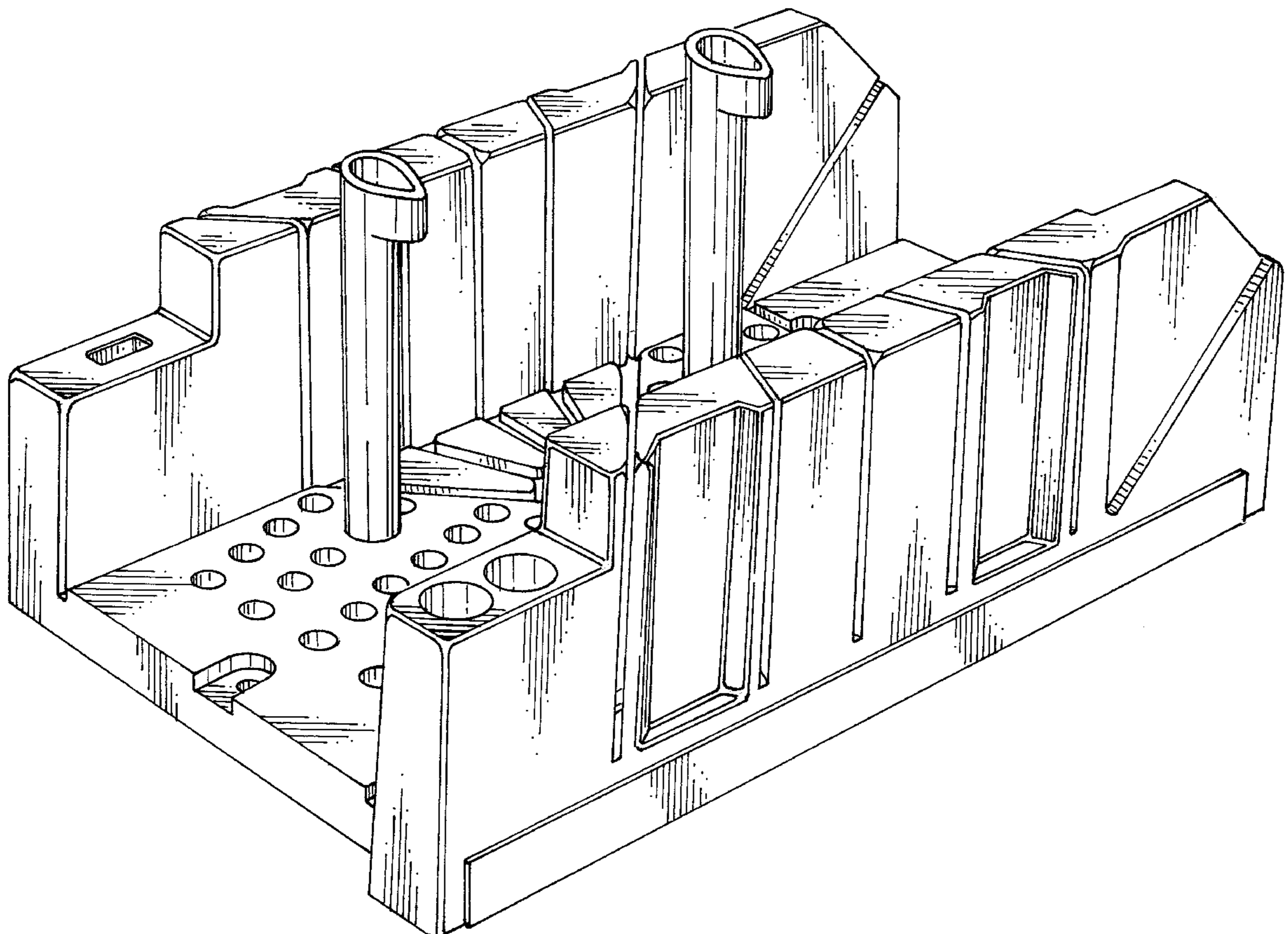
The ornamental design for a miter box with clamping pins, as shown and described.

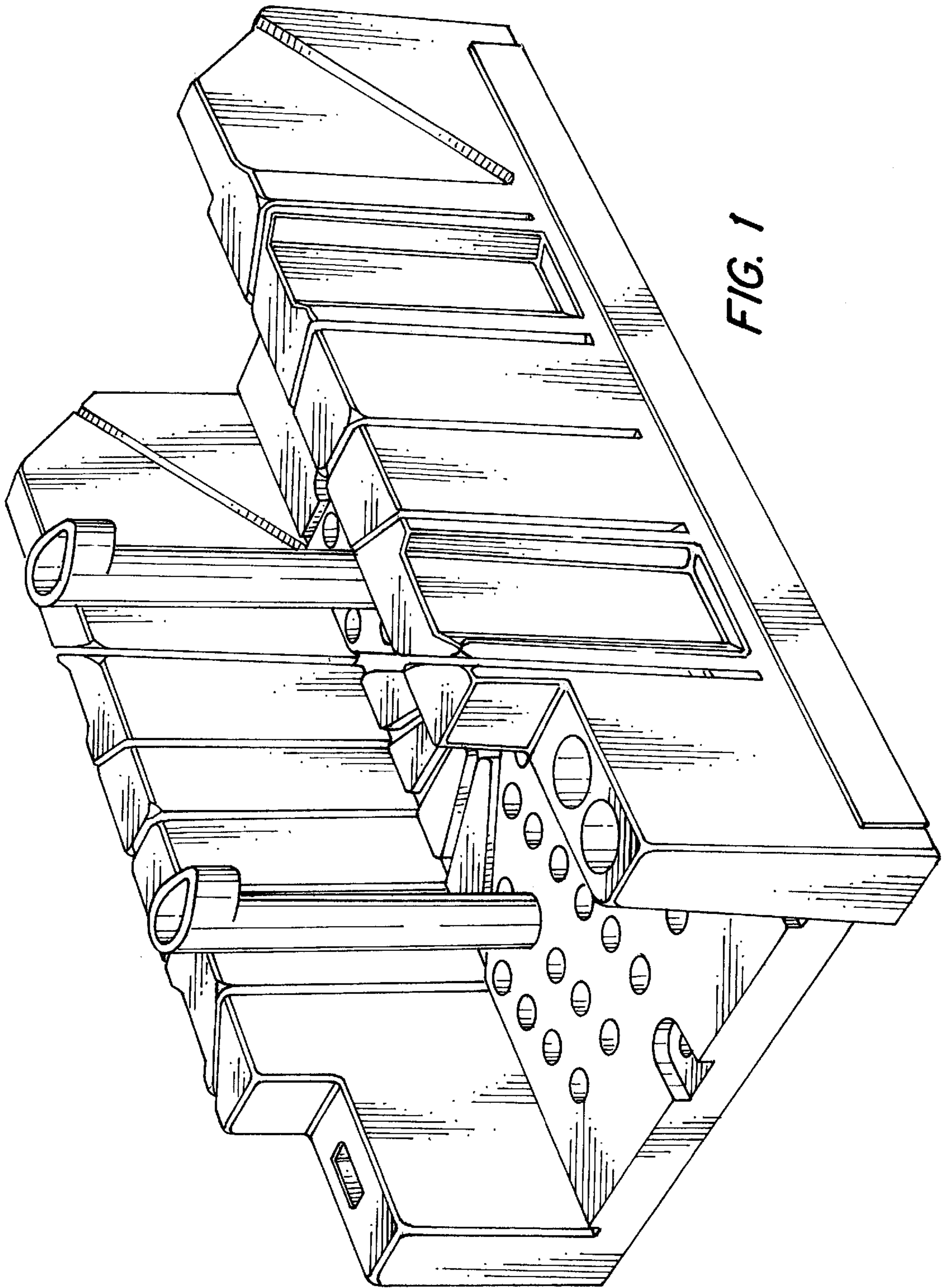
DESCRIPTION

FIG. 1 is a perspective view of a miter box with clamping pins showing our new design;
 FIG. 2 is a top plan view thereof;
 FIG. 3 is a front elevational view thereof;
 FIG. 4 is a rear elevational view thereof;
 FIG. 5 is a side elevational view of the left side as seen in FIG. 1;
 FIG. 6 is a side elevational view of the right side as seen in FIG. 1;
 FIG. 7 is a side elevation view of the clamping pin shown separately for clarity of illustration;
 FIG. 8 is a front elevation view of FIG. 7;
 FIG. 9 is a rear elevation view of FIG. 7;
 FIG. 10 is a top plan view of FIG. 7; and,
 FIG. 11 is a bottom plan view of FIG. 7.

The clamping pins are shown in two randomly selected mounting apertures in the base wall of the miter box, but they may be located in any one of those apertures. They may also be stored in the two apertures shown in the top of the left portion of the front wall as seen in FIG. 1.

1 Claim, 6 Drawing Sheets





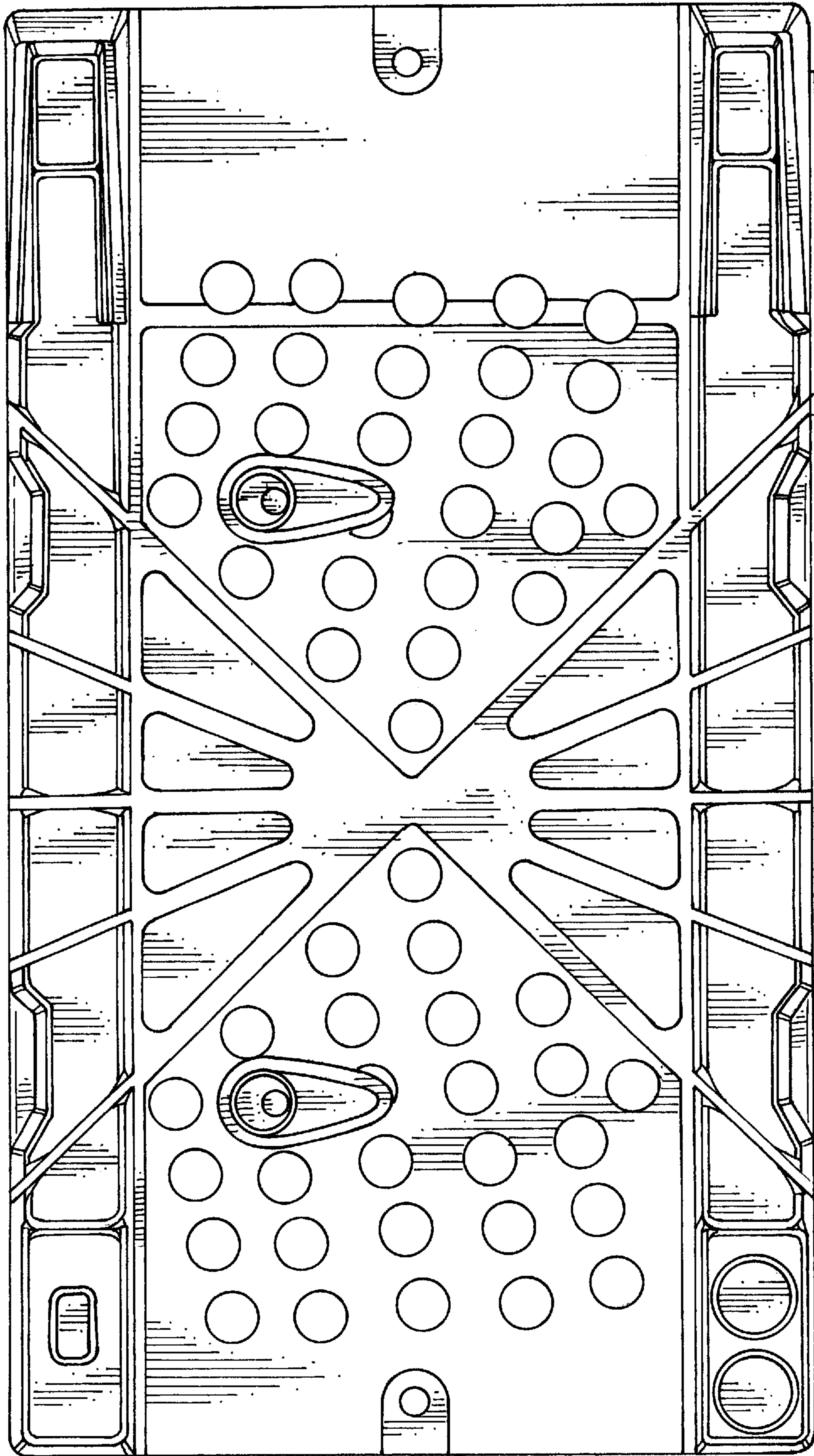


FIG. 2

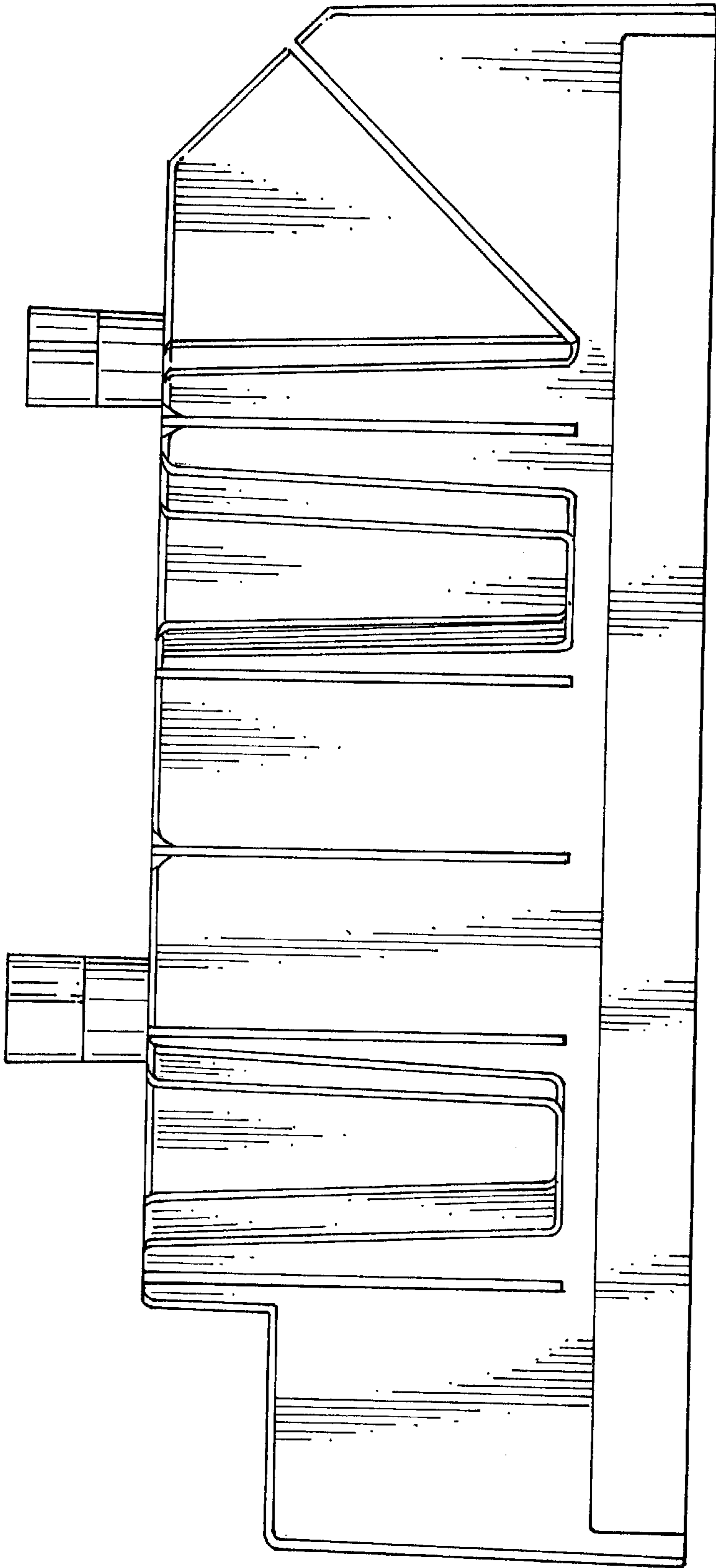
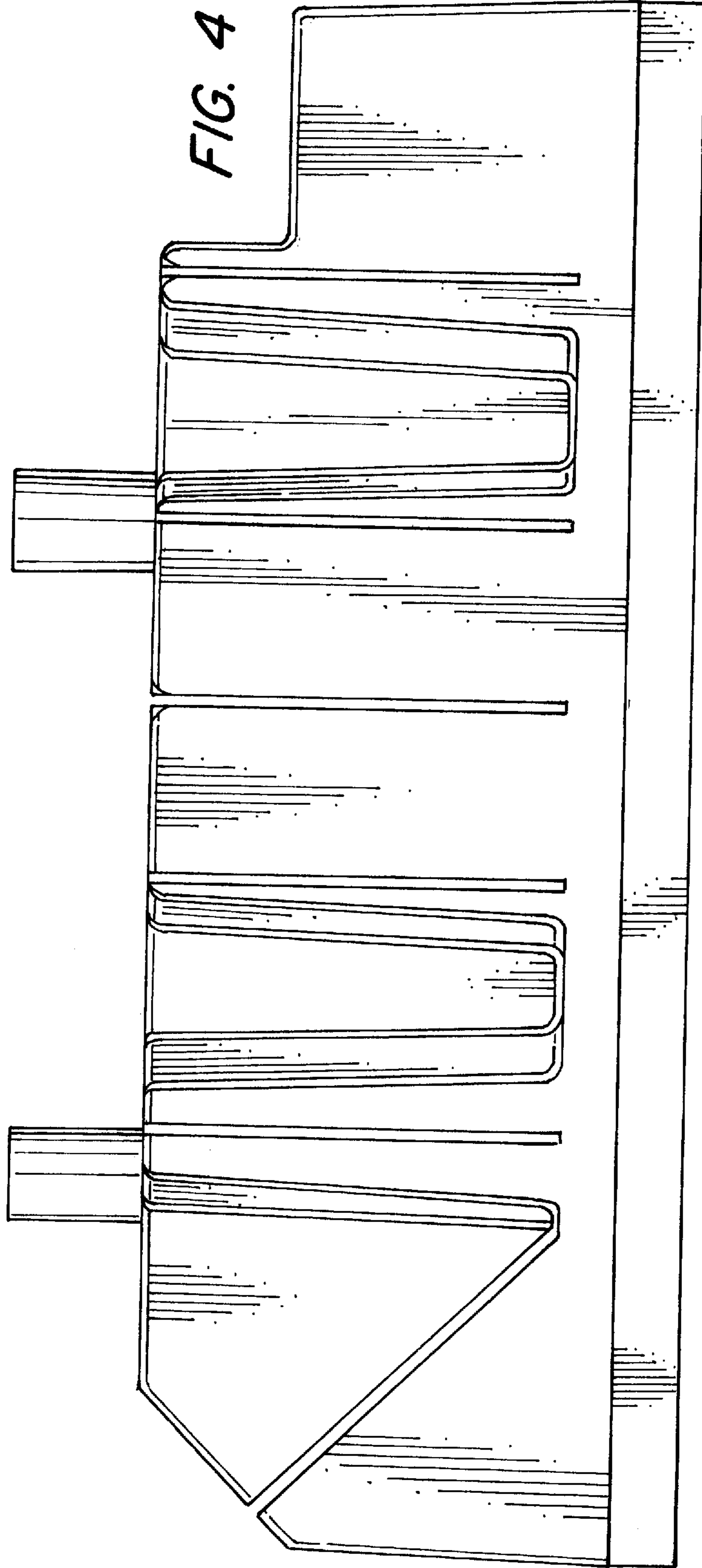


FIG. 3



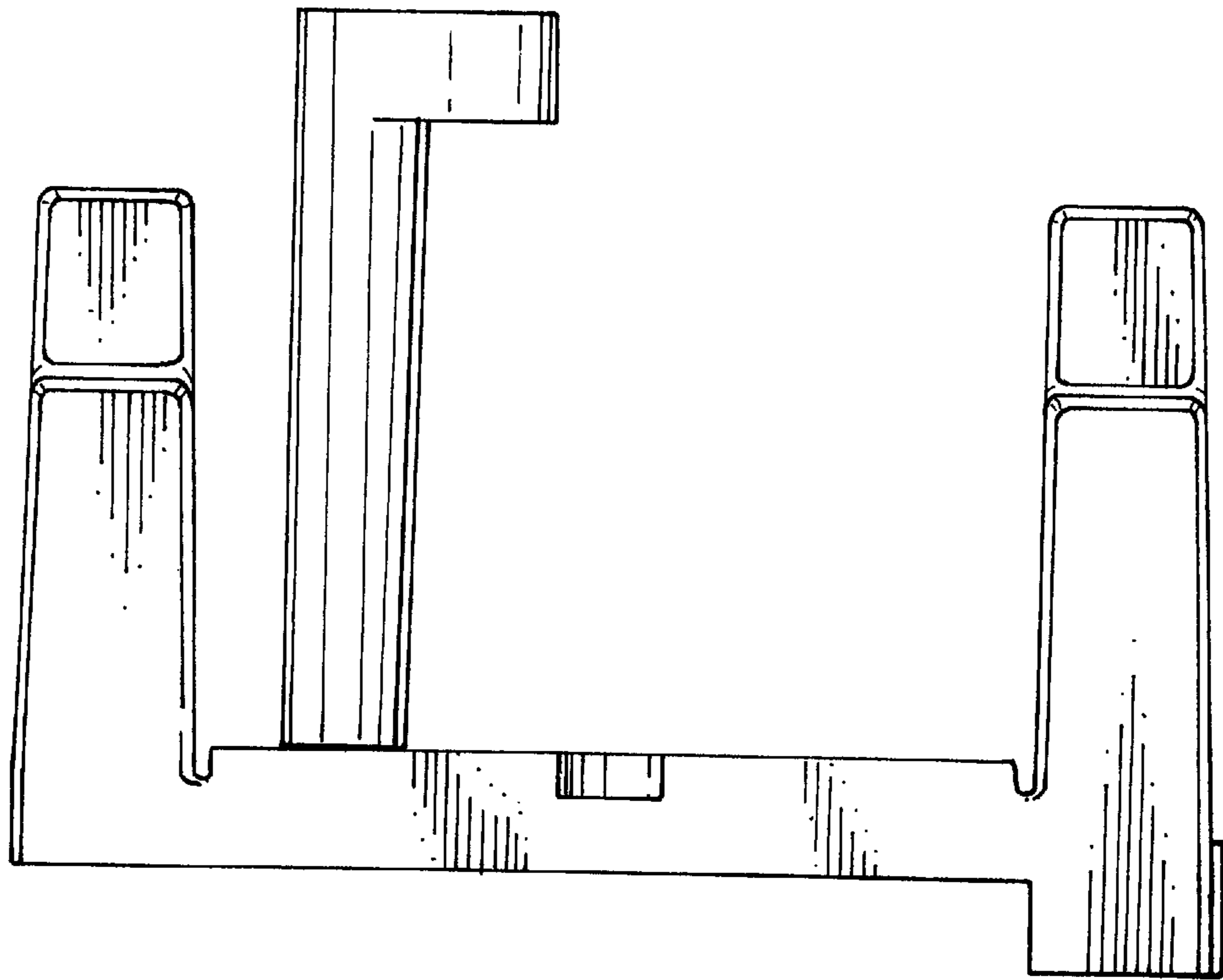


FIG. 5

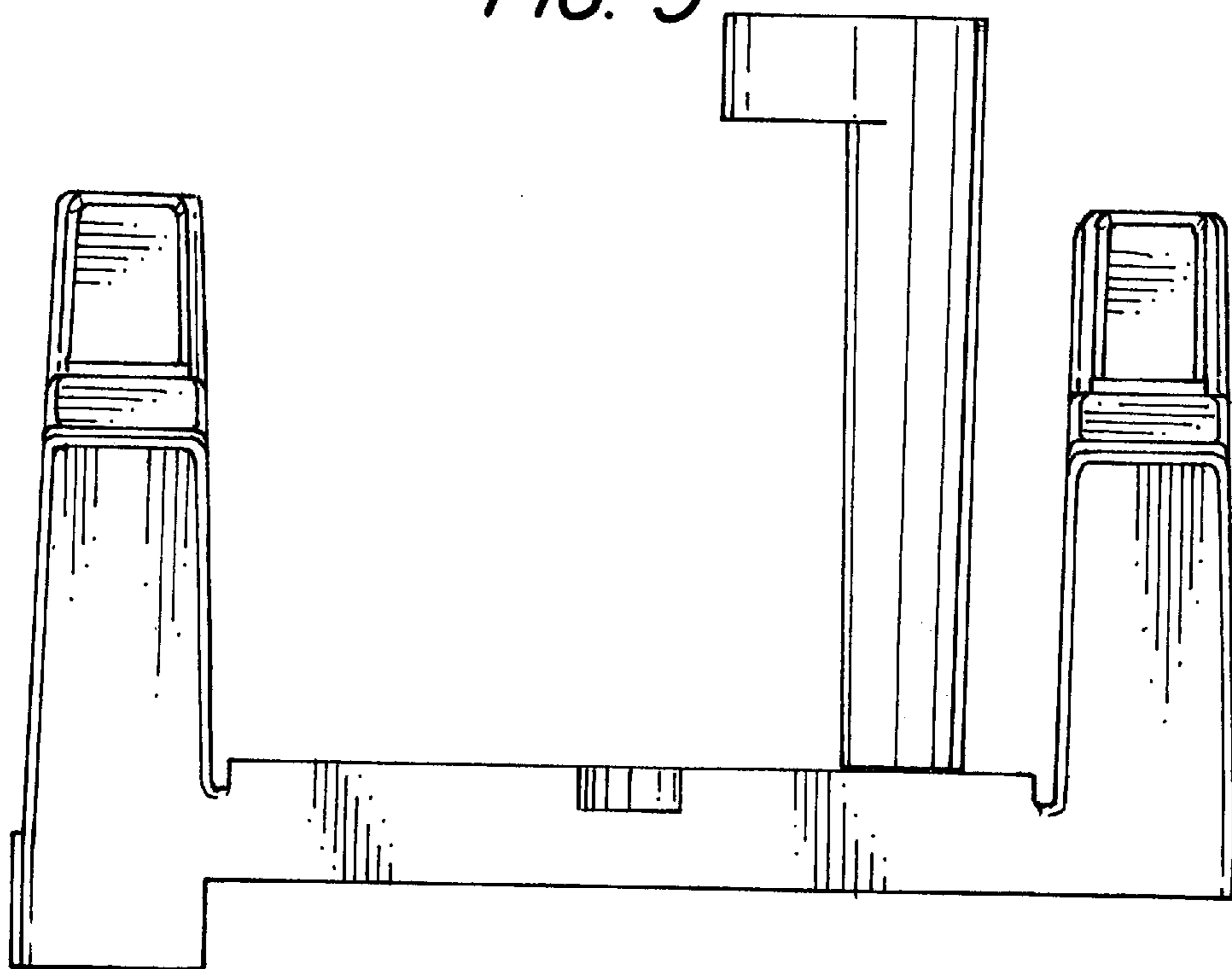


FIG. 6

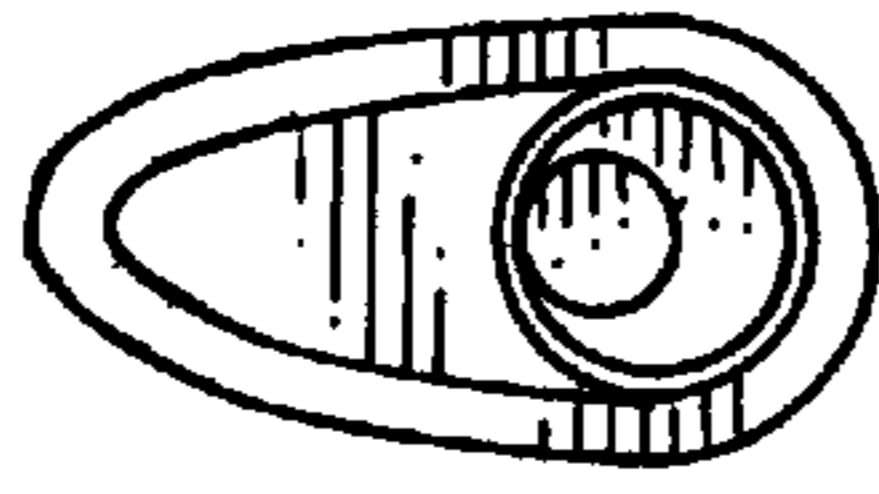


FIG. 10

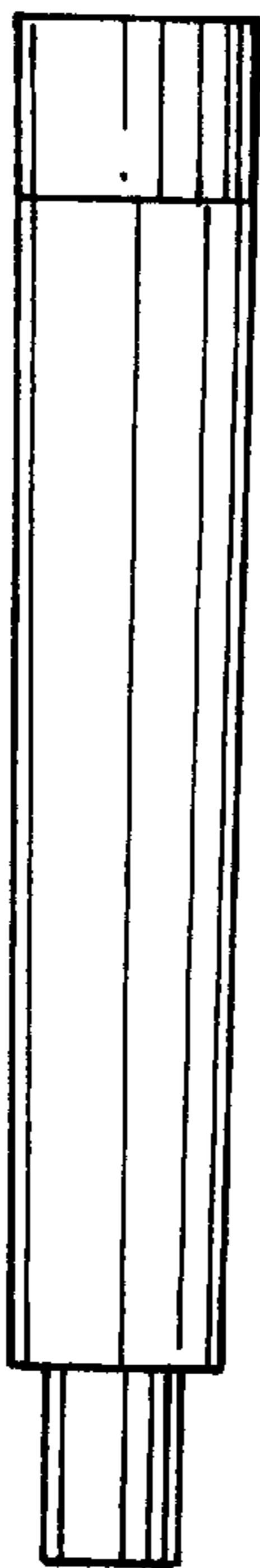


FIG. 8

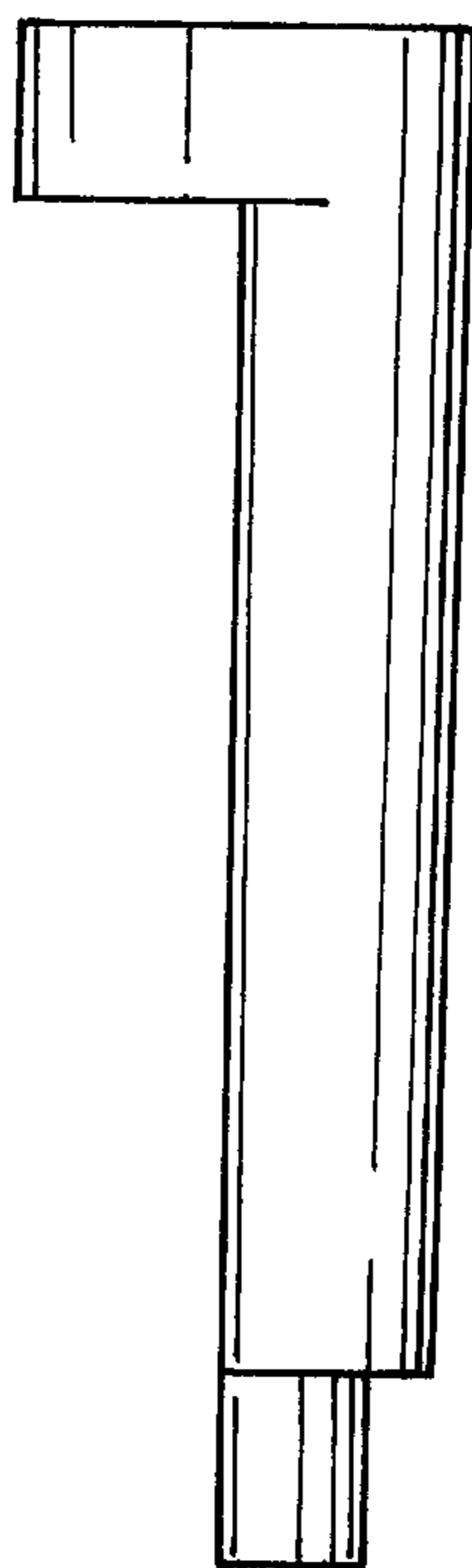


FIG. 7

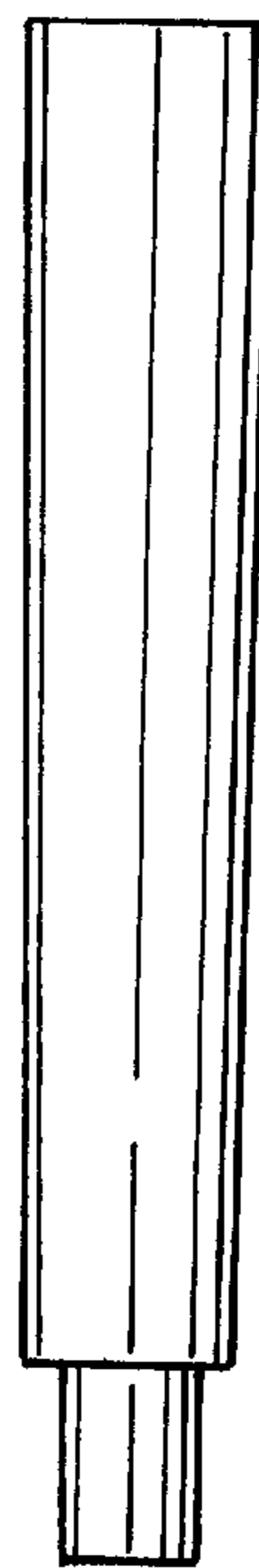


FIG. 9

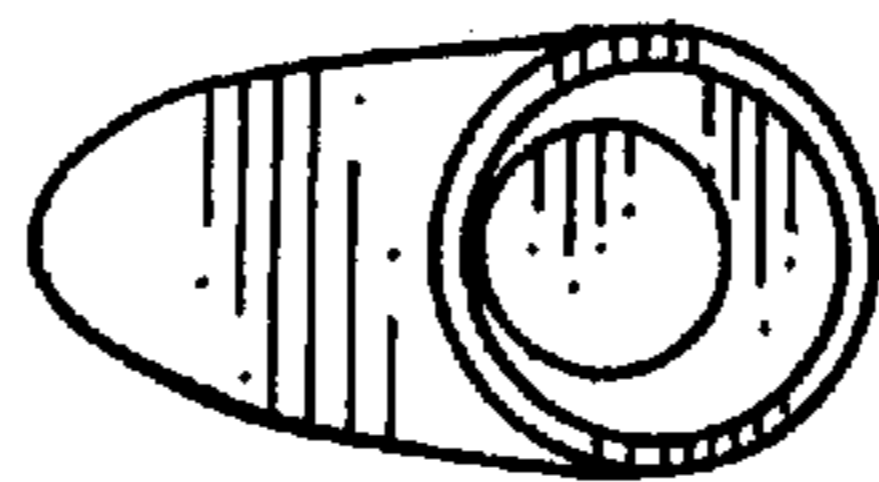


FIG. 11