



US00D406032S

United States Patent [19]

Bates et al.

[11] Patent Number: **Des. 406,032**

[45] Date of Patent: ****Feb. 23, 1999**

[54] **PLIER DEVICE**

[75] Inventors: **Darryle Eugene Bates**, Cuyahoga Falls, Ohio; **Vincent J. Kiernan**, Marco Island, Fla.

[73] Assignee: **Stride Tool, Inc.**, Ellicottville, N.Y.

[**] Term: **14 Years**

[21] Appl. No.: **88,364**

[22] Filed: **May 21, 1998**

2,394,807	2/1946	Robinson	7/130
3,420,280	1/1969	Allyn	140/149
4,665,953	5/1987	Randall	140/118
5,560,402	10/1996	Bates	140/118
5,604,947	2/1997	Bates et al.	7/133

Primary Examiner—Freda Nunn
Attorney, Agent, or Firm—Calfee, Halter & Griswold LLP

Related U.S. Application Data

[62] Division of Ser. No. 67,063, Feb. 21, 1997, which is a division of Ser. No. 371,275, Jan. 11, 1995, Pat. No. 5,604, 947.

[51] **LOC (6) Cl.** **08-05**

[52] **U.S. Cl.** **D8/52**

[58] **Field of Search** D8/51, 52, 55, D8/58, 105; 7/106, 107, 117, 127, 125, 126, 128, 130, 133; 81/424, 426, 440, 427.5; 30/254, 153, 162, 91.2; 74/127; 140/117, 118, 121, 139

References Cited

U.S. PATENT DOCUMENTS

D. 260,476 9/1981 Knaus D8/55

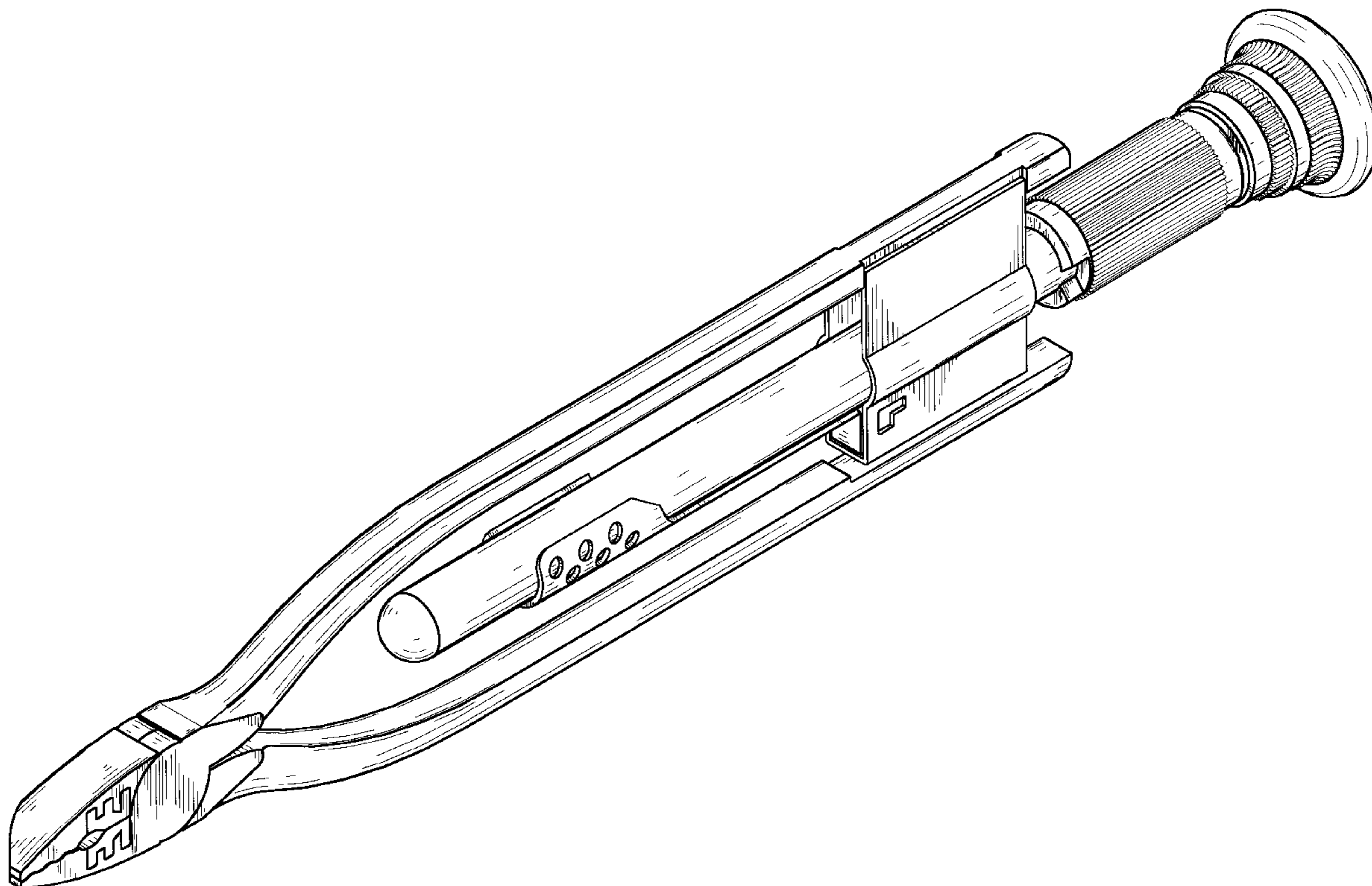
CLAIM

The ornamental design for the plier device, as shown and described.

DESCRIPTION

FIG. 1 is a perspective view of the plier device showing our new design in the closed position;
FIG. 2 is a left side elevational view thereof;
FIG. 3 is a right side elevational view thereof;
FIG. 4 is a front end elevational view thereof;
FIG. 5 is a rear end elevational view thereof;
FIG. 6 is a bottom plan view thereof; and,
FIG. 7 is a top plan view thereof.

1 Claim, 3 Drawing Sheets



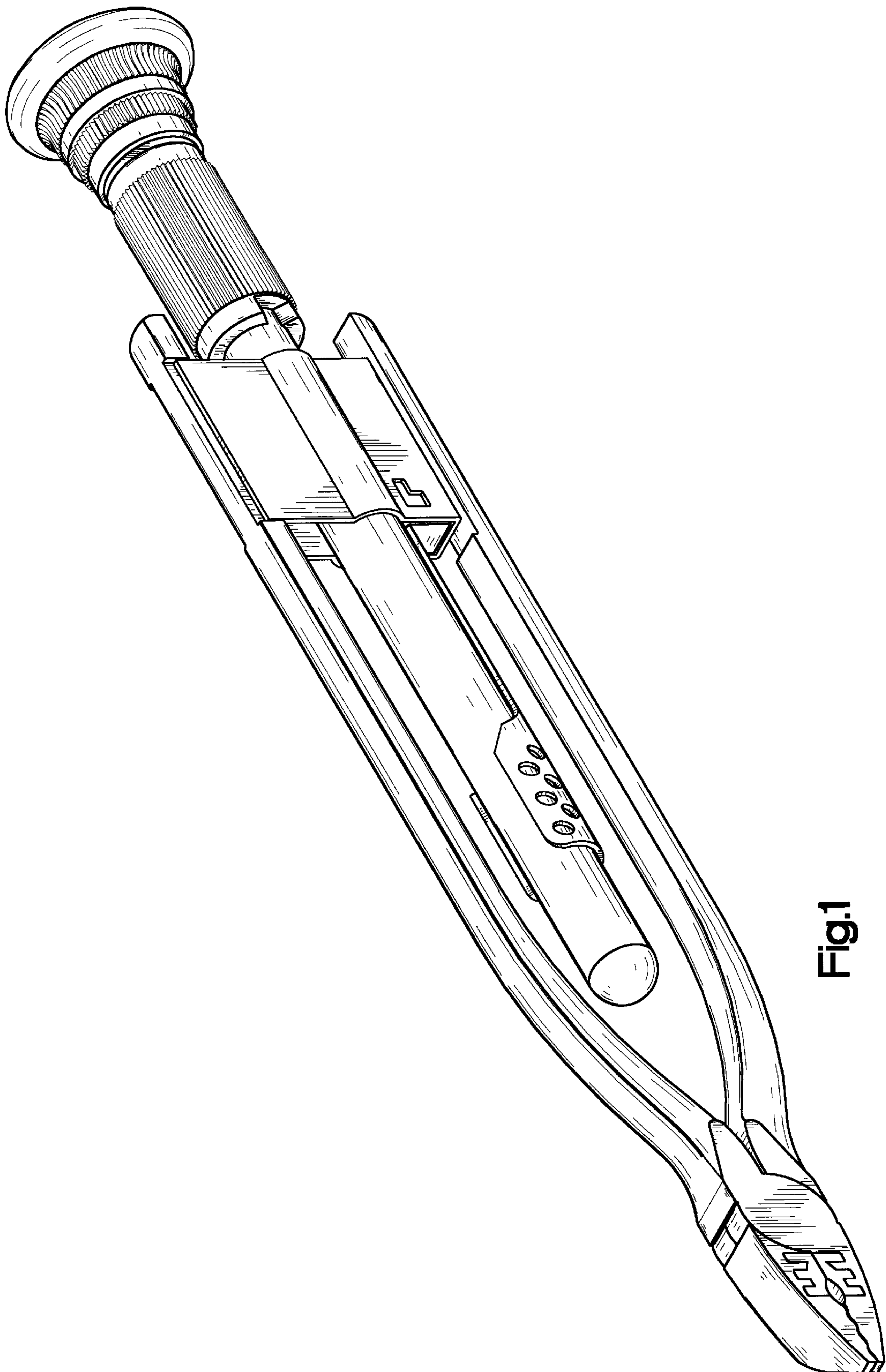


Fig.1

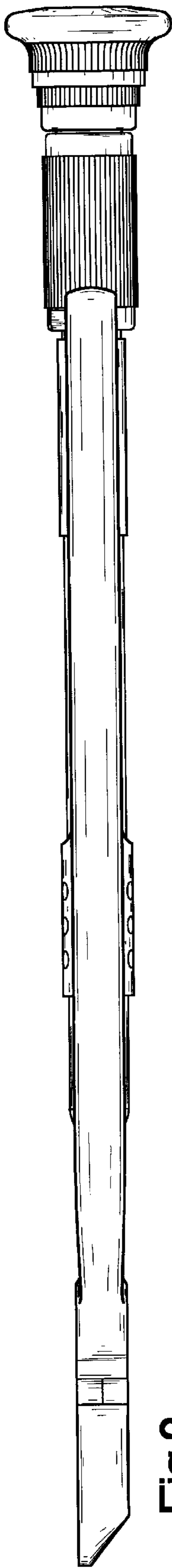


Fig.2

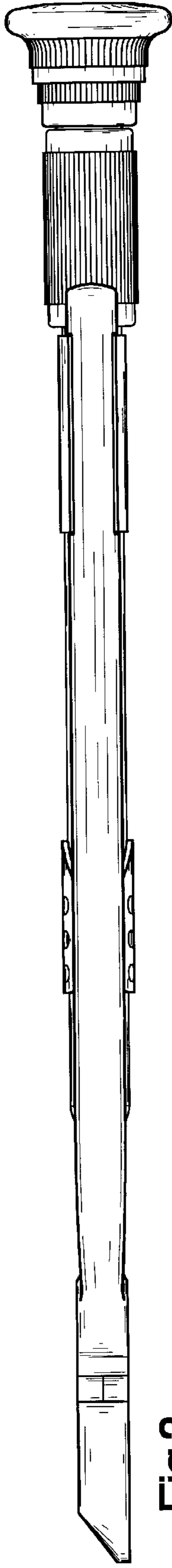


Fig.3

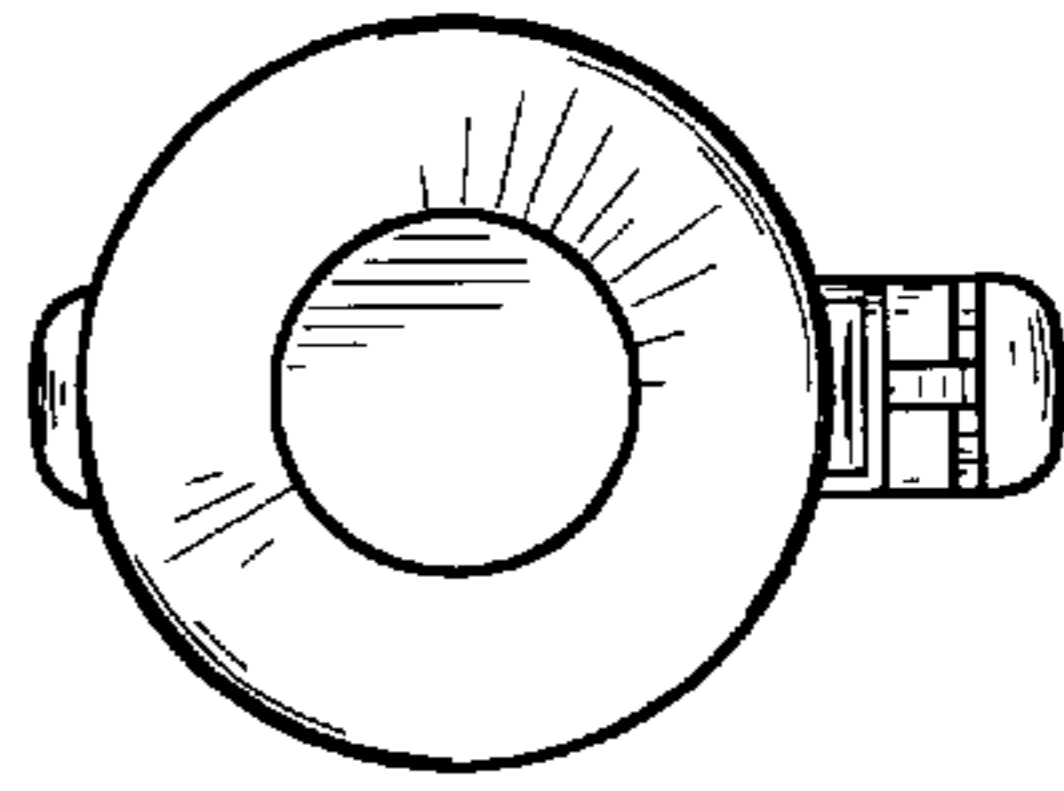


Fig.5

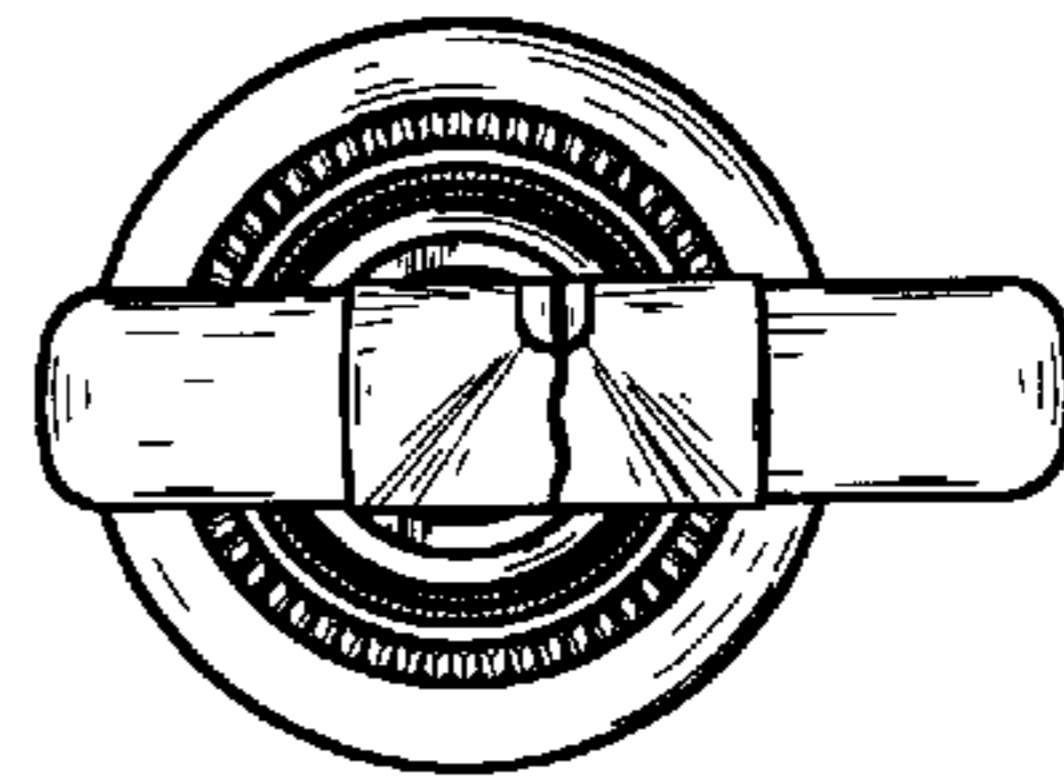


Fig.4

