



US00D406030S

United States Patent [19]
Gardiner et al.

[11] **Patent Number: Des. 406,030**
[45] **Date of Patent: **Feb. 23, 1999**

[54] **PLIERS JAW**

5,267,366 12/1993 Frazer .

[75] Inventors: **Walter A. Gardiner**, Waccabuc; **David A. Swinden**, Ellenville; **Robert L. Naas**, Skaneateles, all of N.Y.

FOREIGN PATENT DOCUMENTS

0513937A2 11/1992 European Pat. Off. .

[73] Assignee: **Imperial Schrade Corp.**, Ellenville, N.Y.

OTHER PUBLICATIONS

[**] Term: **14 Years**

Hong Kong Enterprise, p. 179, see combination tool jaws, top center, Nov. 1988.
Handsome Rewards, advertizing flyer, see jaws on tool featured, Jul. 1989.
Yorkcraft Master Took, Flyer, see tool jaws—top left center, May 1993.

[21] Appl. No.: **61,657**

[22] Filed: **Oct. 28, 1996**

Primary Examiner—Martie K. Holtje
Attorney, Agent, or Firm—Saidman DesignLaw Group

[51] **LOC (6) Cl.** **08-05**

[52] **U.S. Cl.** **D8/52**

[58] **Field of Search** D8/14, 51, 52, D8/53, 54, 55, 56, 57, 58, 105; 81/427, 428, 300, 303, 415, 417, 419, 424.5; 7/118, 128, 129, 132, 142, 163, 164, 168

[57] **CLAIM**

The ornamental design for a pliers jaw, as shown and described.

[56] **References Cited**

DESCRIPTION

U.S. PATENT DOCUMENTS

D. 368,634	4/1996	Frazer .	
D. 382,182	8/1997	Seber et al.	D8/55
D. 384,872	10/1997	Yeh	D8/105
1,467,661	9/1923	Undy .	
1,474,592	11/1923	Jacoby .	
1,619,181	3/1927	Beretz .	
2,274,945	3/1942	Van Keuren .	
2,753,741	7/1956	Riley .	
4,238,862	12/1980	Leatherman .	
4,744,272	5/1988	Leatherman .	
4,888,869	12/1989	Leatherman .	
5,062,173	11/1991	Collins et al. .	
5,142,721	9/1992	Sessions et al. .	
5,212,844	5/1993	Sessions et al. .	

FIG. 1 is a front view of a pliers jaw showing our new design having serrations on the inner faces of the jaw;
FIG. 2 is a rear view of an alternate embodiment of our design that differs from the first embodiment in omitting the serrations on the inner faces of the jaw;
FIG. 3 is a left side view of the embodiment of FIG. 1;
FIG. 4 is a right side view of the embodiment of FIG. 1; and,
FIG. 5 is a top view of the embodiment of FIG. 2.
The dashed broken lines are shown in the figures for environmental purposes only and form no part of the claimed design. The dotted broken lines, shown in FIGS. 1, 2 and 4, define the boundries of the claimed design and form no part thereof.

1 Claim, 3 Drawing Sheets

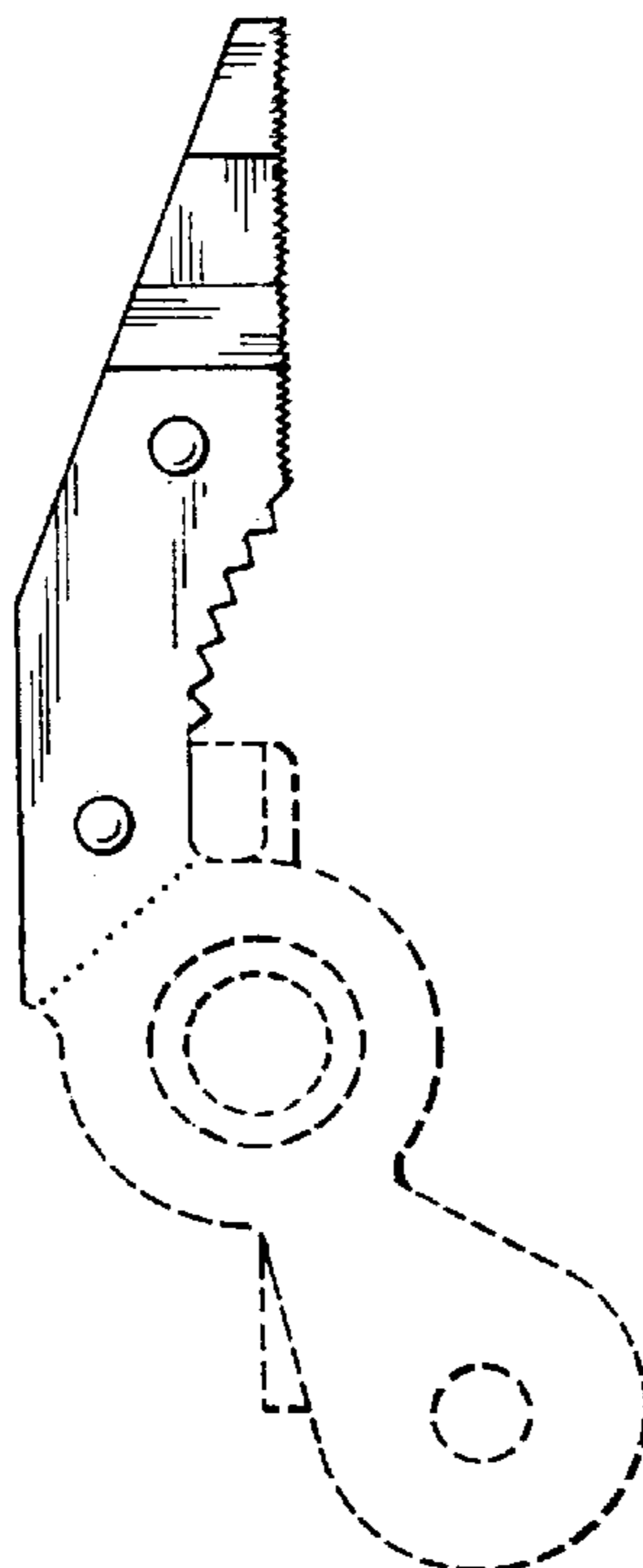


FIG. 1

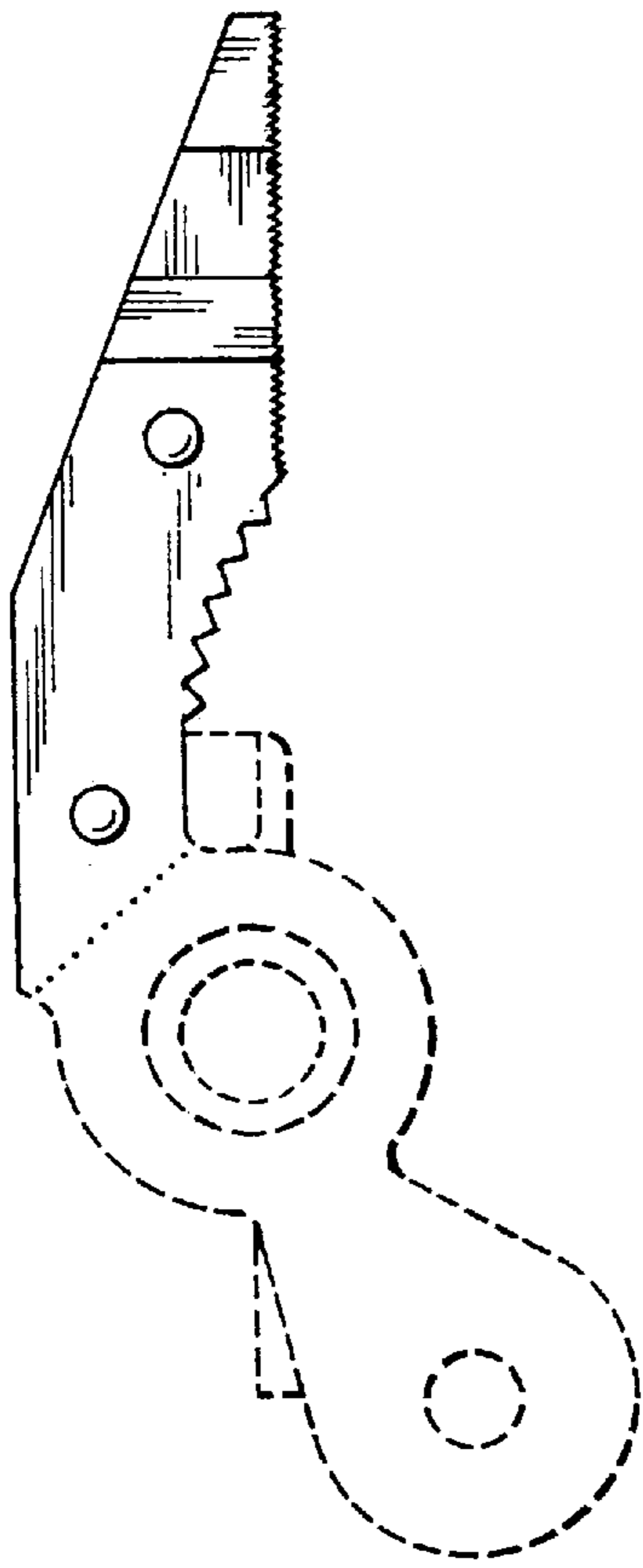


FIG. 2

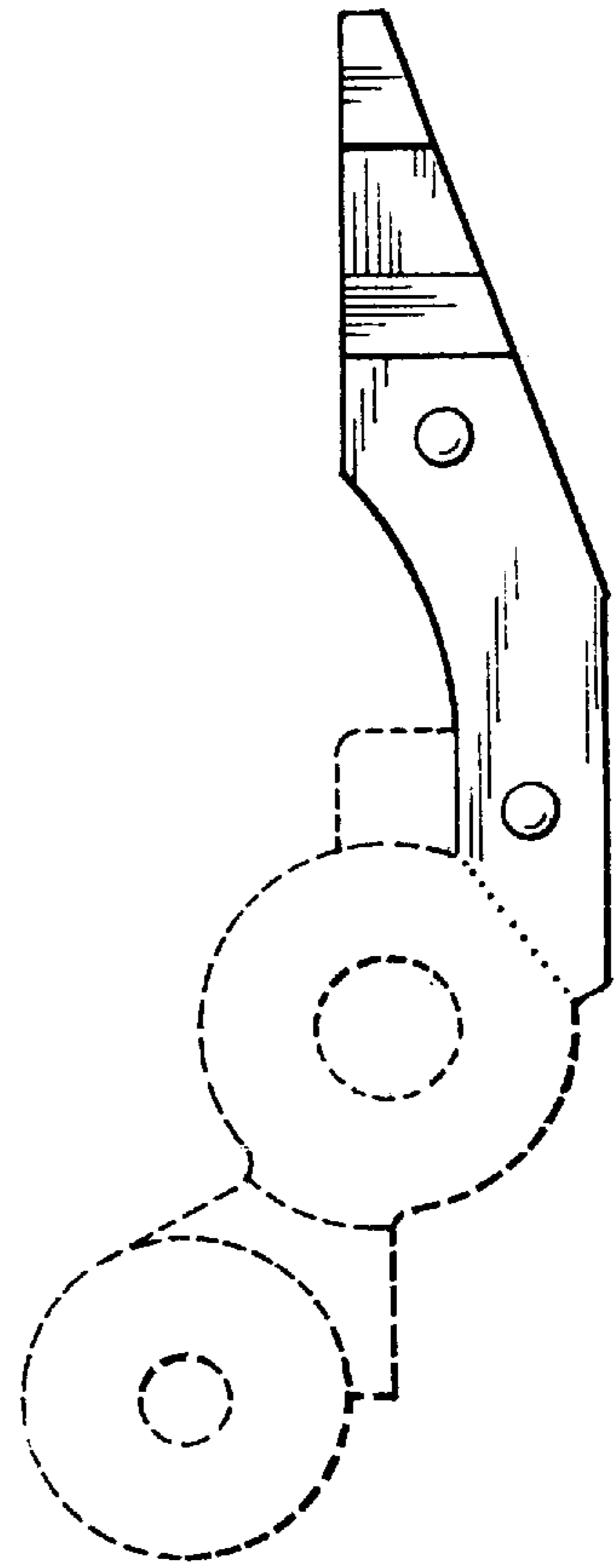


FIG. 3

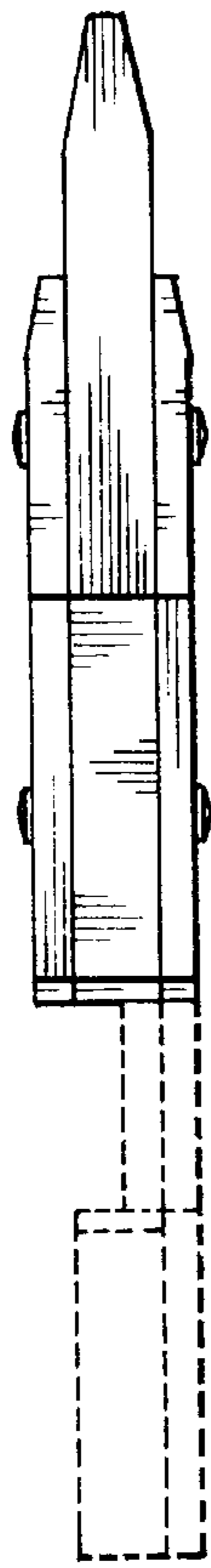


FIG. 4



FIG. 5

