



US00D406026S

United States Patent [19]
So

[11] **Patent Number: Des. 406,026**

[45] **Date of Patent: **Feb. 23, 1999**

[54] **CAN OPENER**

5,181,322 1/1993 Koo 30/416
5,581,897 12/1996 Liebscher 30/416

[76] Inventor: **Shun So**, 2/F., Chuan Yuan Factory Building, 342-344 Kwun Tong Road, Kwun Tong, Kowloon, Hong Kong

Primary Examiner—Caron D. Veynar
Attorney, Agent, or Firm—Darby & Darby

[**] Term: **14 Years**

[57] **CLAIM**

The ornamental design for a can opener, as shown and described.

[21] Appl. No.: **89,484**

[22] Filed: **Jun. 16, 1998**

DESCRIPTION

[30] **Foreign Application Priority Data**

Mar. 26, 1998 [GB] United Kingdom 2073509

FIG. 1 is a top plan view of a can opener showing my new design;

[51] **LOC (6) Cl.** **07-99**

FIG. 2 is a front elevational view thereof;

[52] **U.S. Cl.** **D8/39; D8/41**

FIG. 3 is a left side elevational view thereof;

[58] **Field of Search** D8/33-43; 7/151-156; 30/416, 417, 418, 426; 81/3.4

FIG. 4 is a rear elevational view thereof;

FIG. 5 is a bottom plan view thereof;

FIG. 6 is a right side elevational view thereof;

FIG. 7 is a perspective view thereof as viewed from the bottom; and,

FIG. 8 is a perspective view thereof as view from the top showing the handles in a semi-open position.

[56] **References Cited**

U.S. PATENT DOCUMENTS

4,825,554 5/1989 Koo 30/417

1 Claim, 3 Drawing Sheets

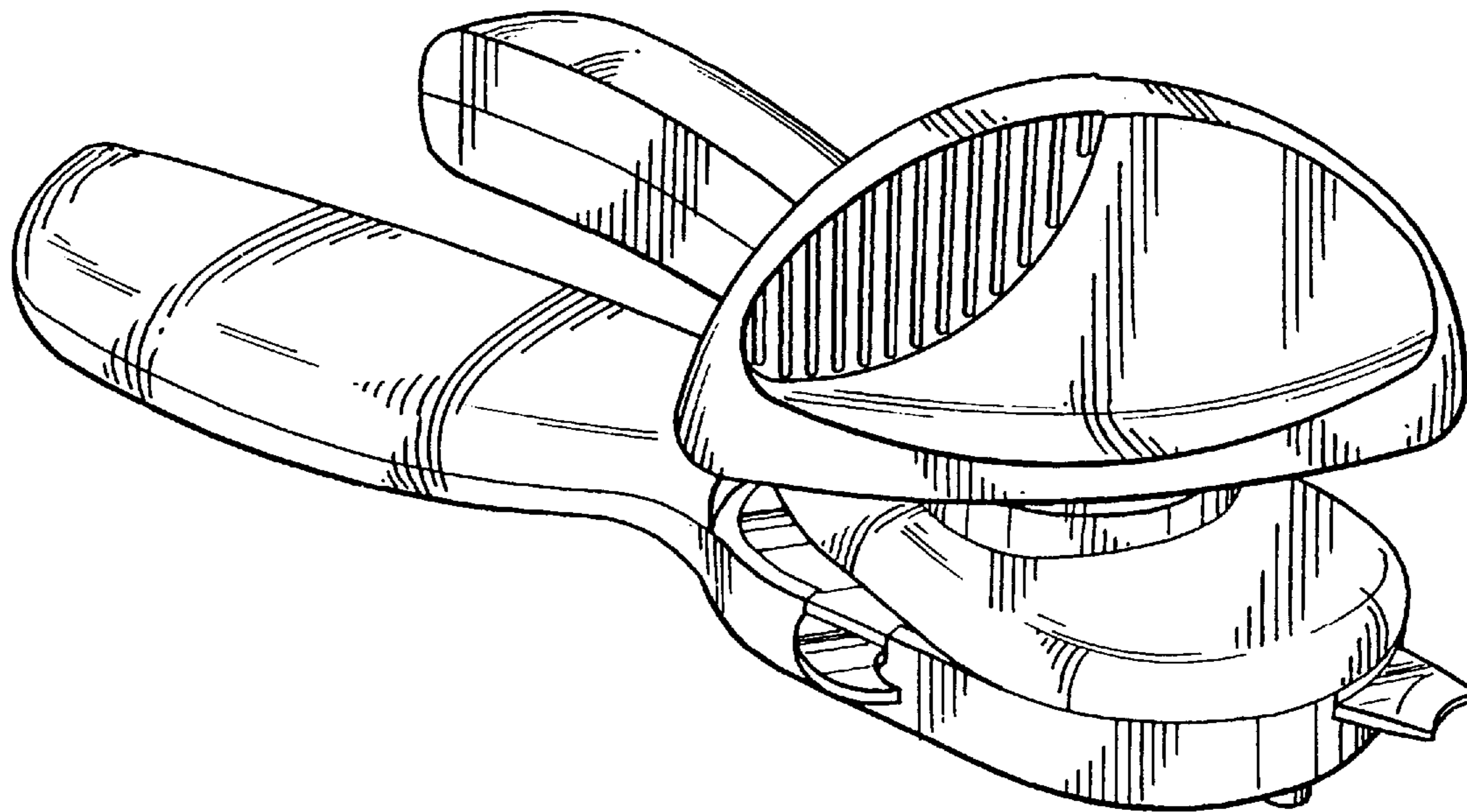


FIG. 1

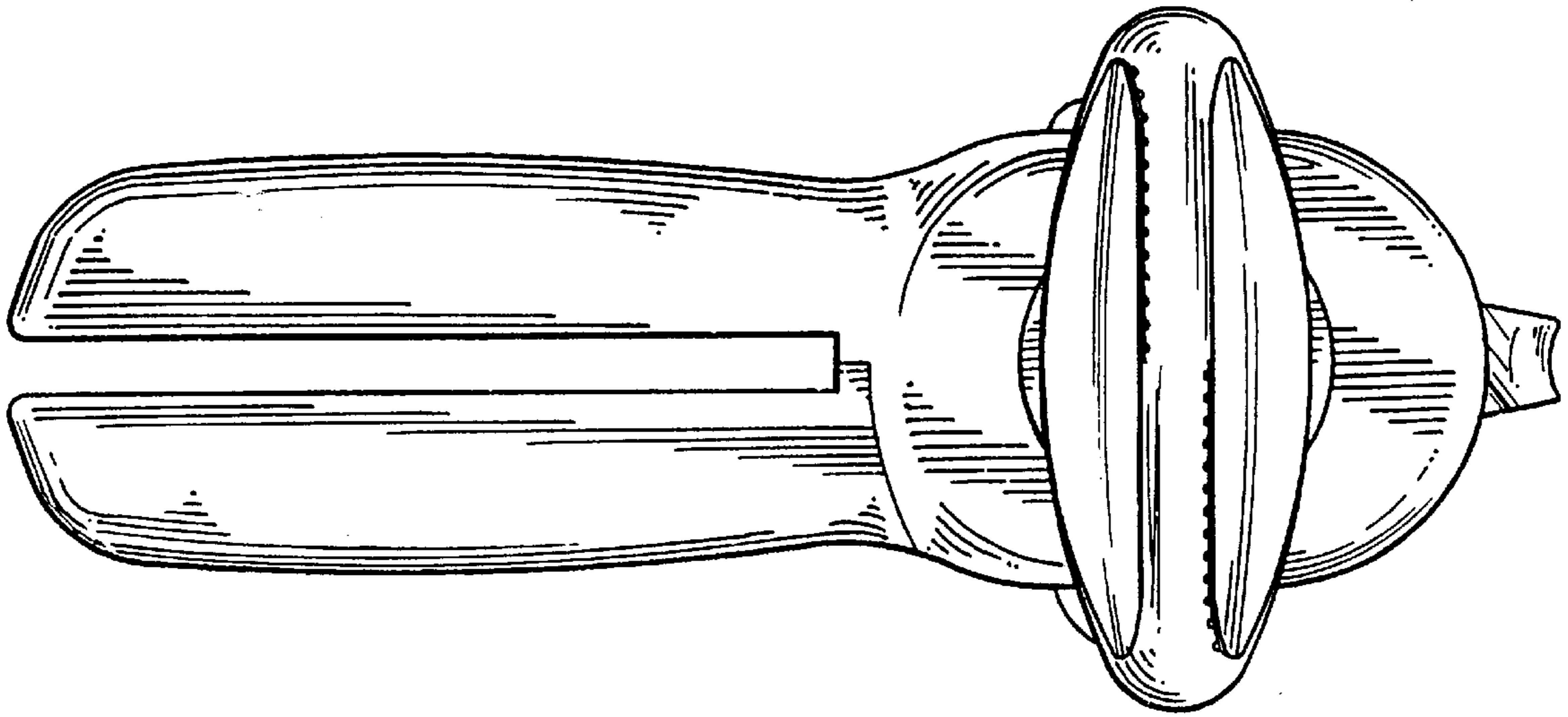


FIG. 2

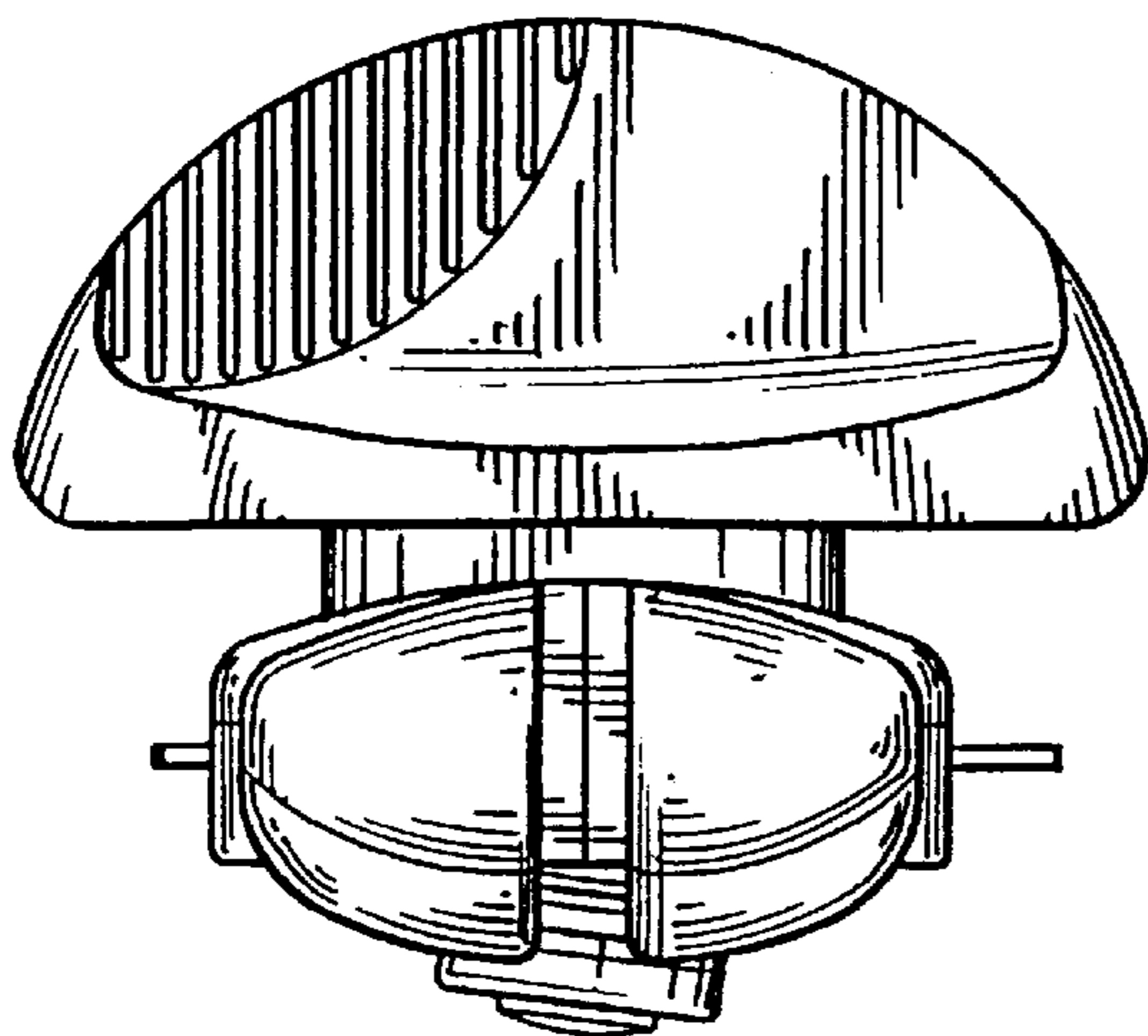
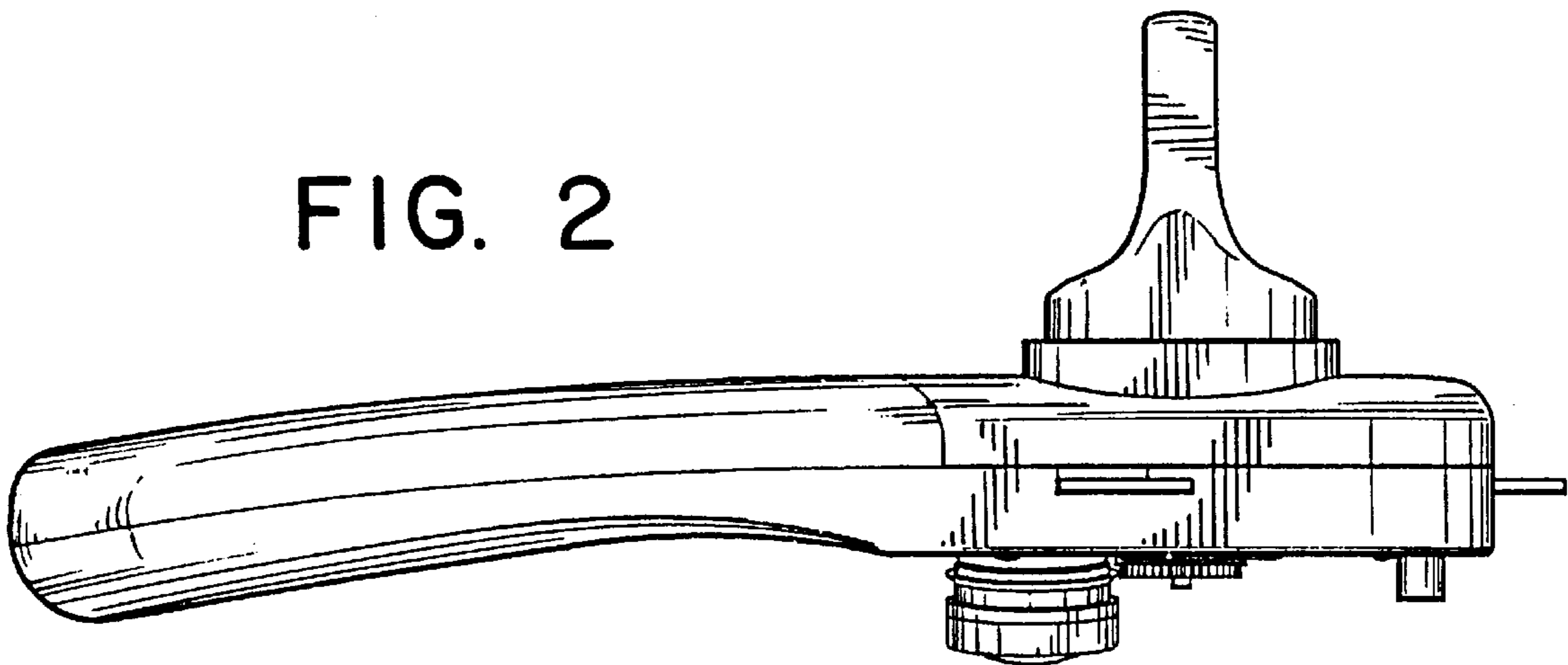


FIG. 3

FIG. 4

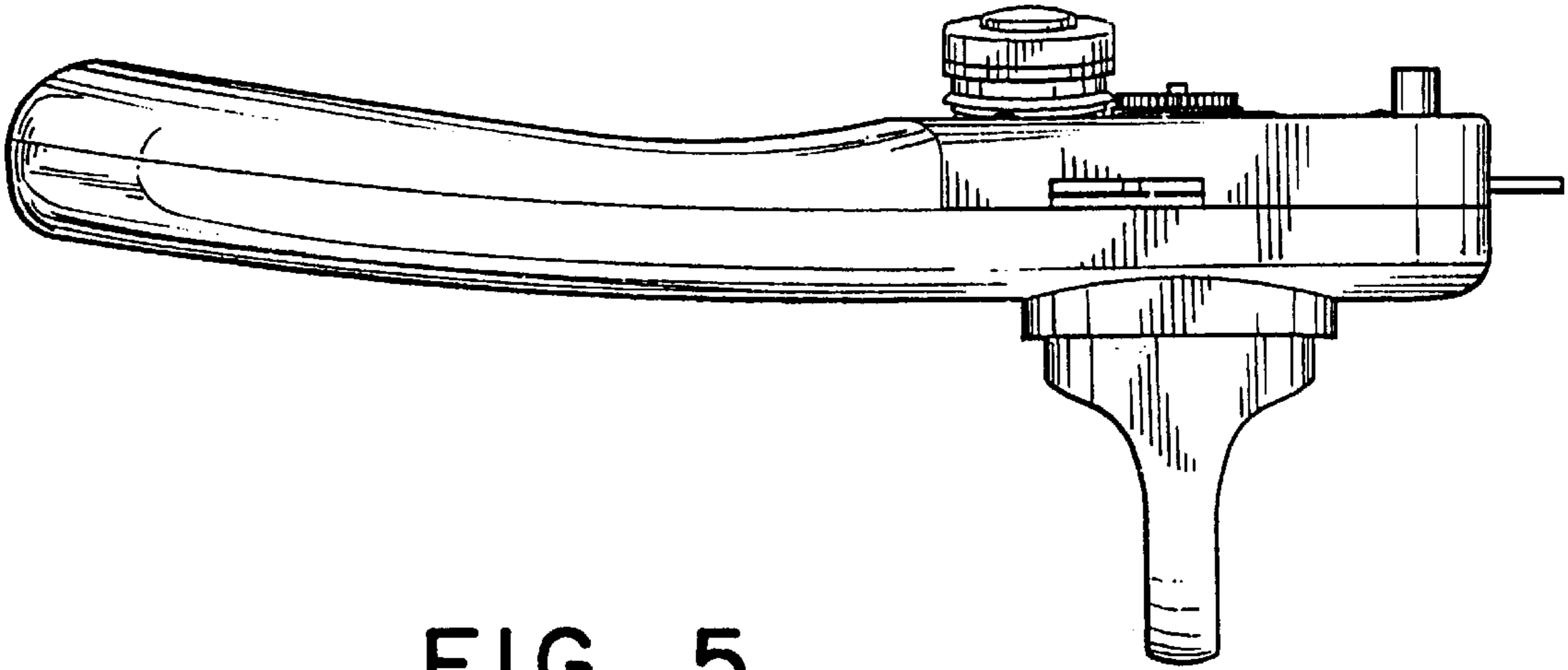


FIG. 5

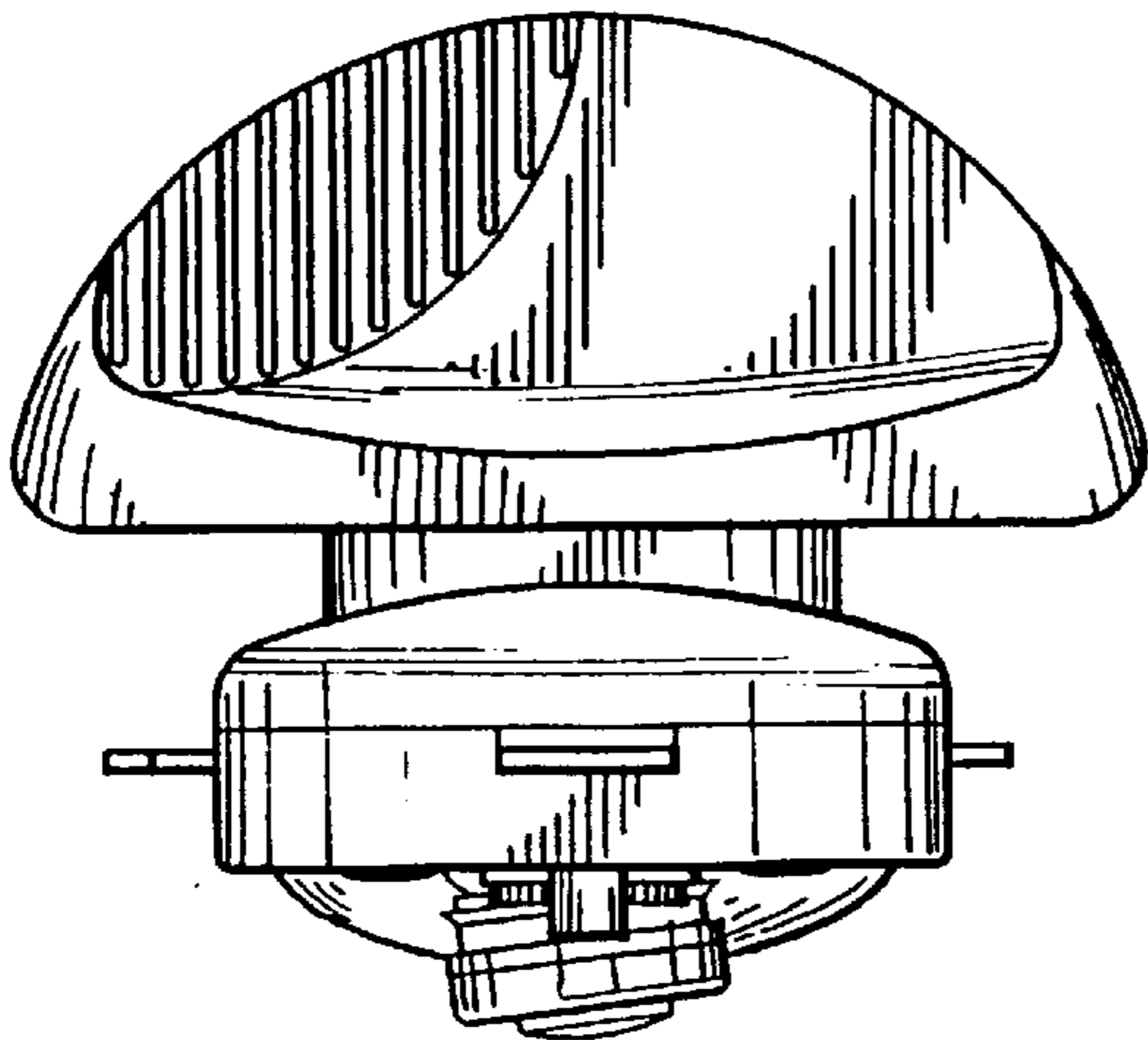
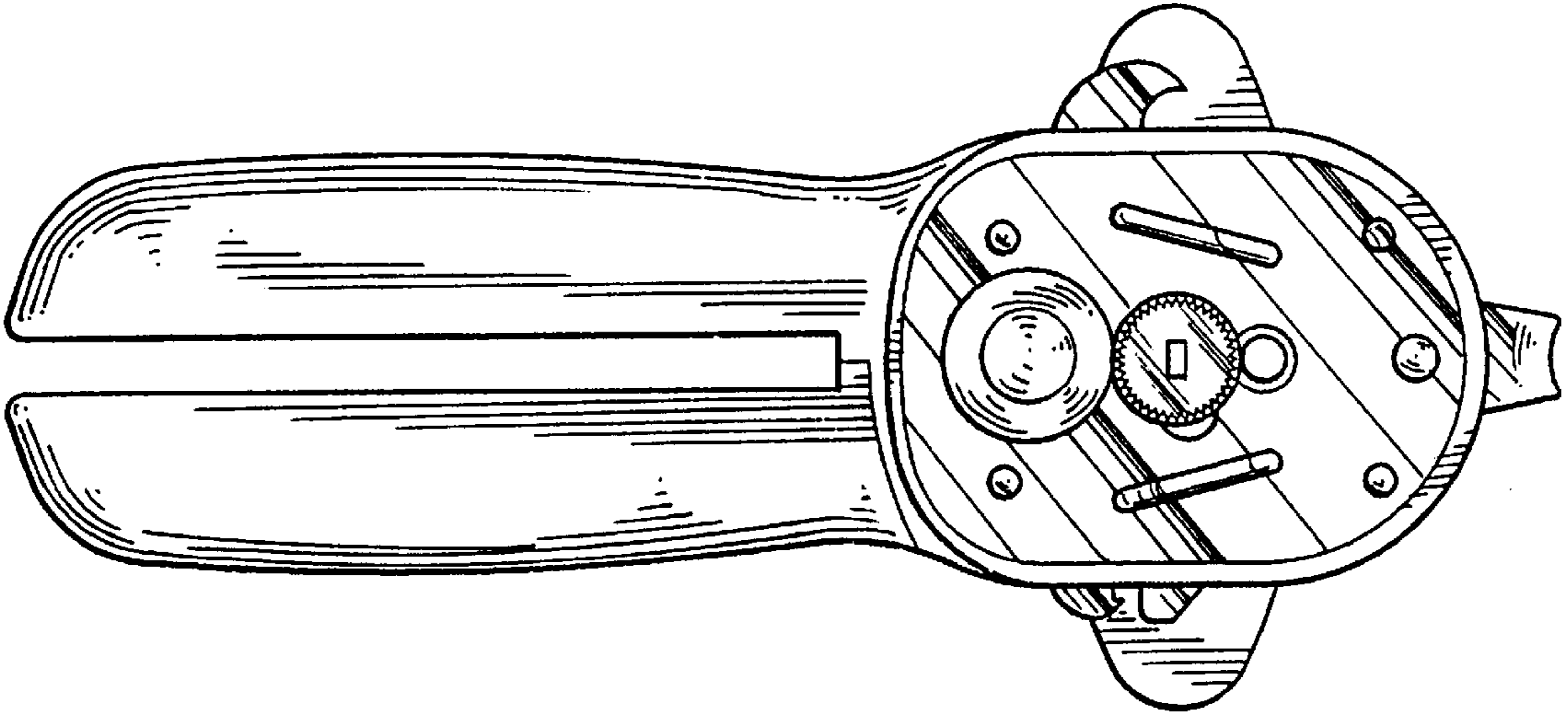


FIG. 6

