



US00D406020S

# United States Patent [19]

Reed et al.

[11] **Patent Number: Des. 406,020**

[45] **Date of Patent: \*\*Feb. 23, 1999**

[54] **PLANT REMOVING IMPLEMENT**

3,992,860 11/1976 Bobbitt, Jr. .... 56/27.5  
4,142,585 3/1979 Bohner et al. .... 171/82

[75] Inventors: **Richard R. Reed**, Tigard, Oreg.;  
**Steven W. Reed**, Scottsdale, Ariz.

*Primary Examiner*—Doris V. Coles  
*Assistant Examiner*—Catherine R. Oliver  
*Attorney, Agent, or Firm*—Cahill, Sutton & Thomas, P.L.C.

[73] Assignee: **City of Scottsdale**, Scottsdale, Ariz.

[\*\*] Term: **14 Years**

[57] **CLAIM**

[21] Appl. No.: **63,267**

The ornamental design for a plant removing implement, as shown and described.

[22] Filed: **Dec. 3, 1996**

**DESCRIPTION**

[51] **LOC (6) Cl.** ..... **08-01**

FIG. 1 is a perspective view of the plant removing implement showing our new design;  
FIG. 2 is a top plan view thereof;  
FIG. 3 is a bottom plan view thereof;  
FIG. 4 is a left side elevational view; the right side elevational view being a mirror image thereof;  
FIG. 5 is a front elevational view thereof; and,  
FIG. 6 is a rear elevational view thereof.

[52] **U.S. Cl.** ..... **D8/1**

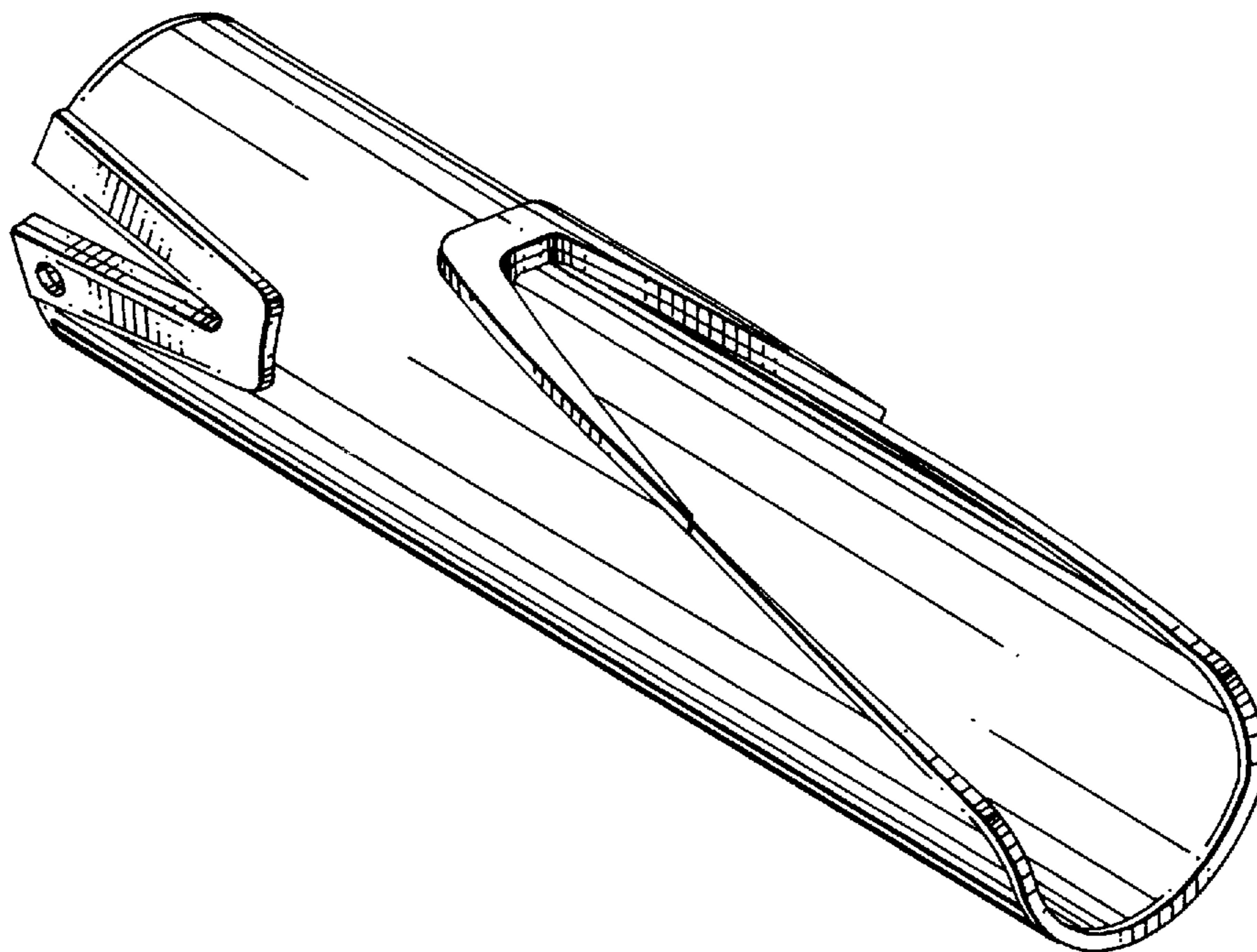
[58] **Field of Search** ..... D8/1; 171/82,  
171/83, 140, 141, 124, 135, 134; 56/225,  
503, 15.2, 27.5

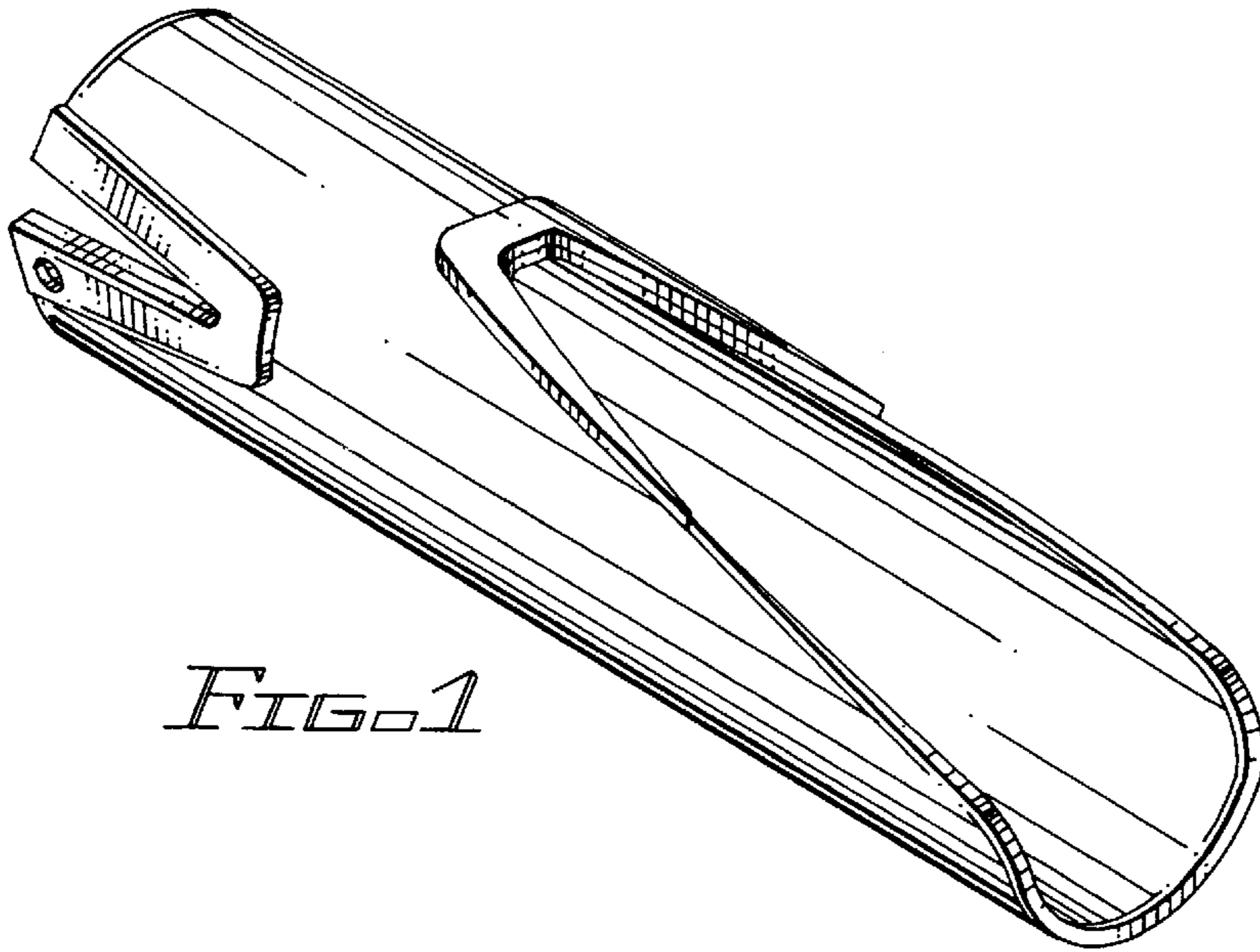
[56] **References Cited**

**U.S. PATENT DOCUMENTS**

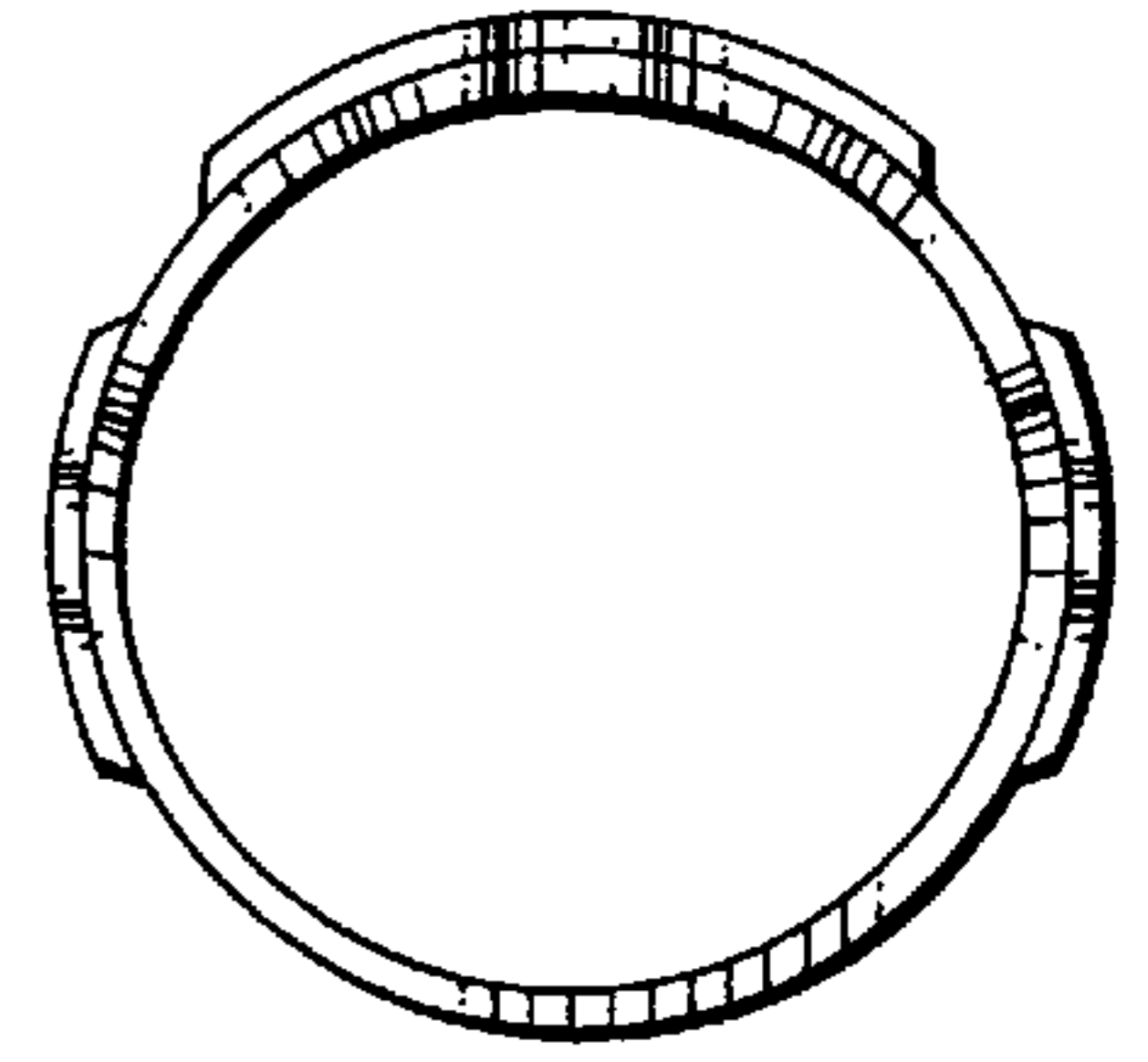
2,949,004 8/1960 Jones ..... 56/503

**1 Claim, 1 Drawing Sheet**

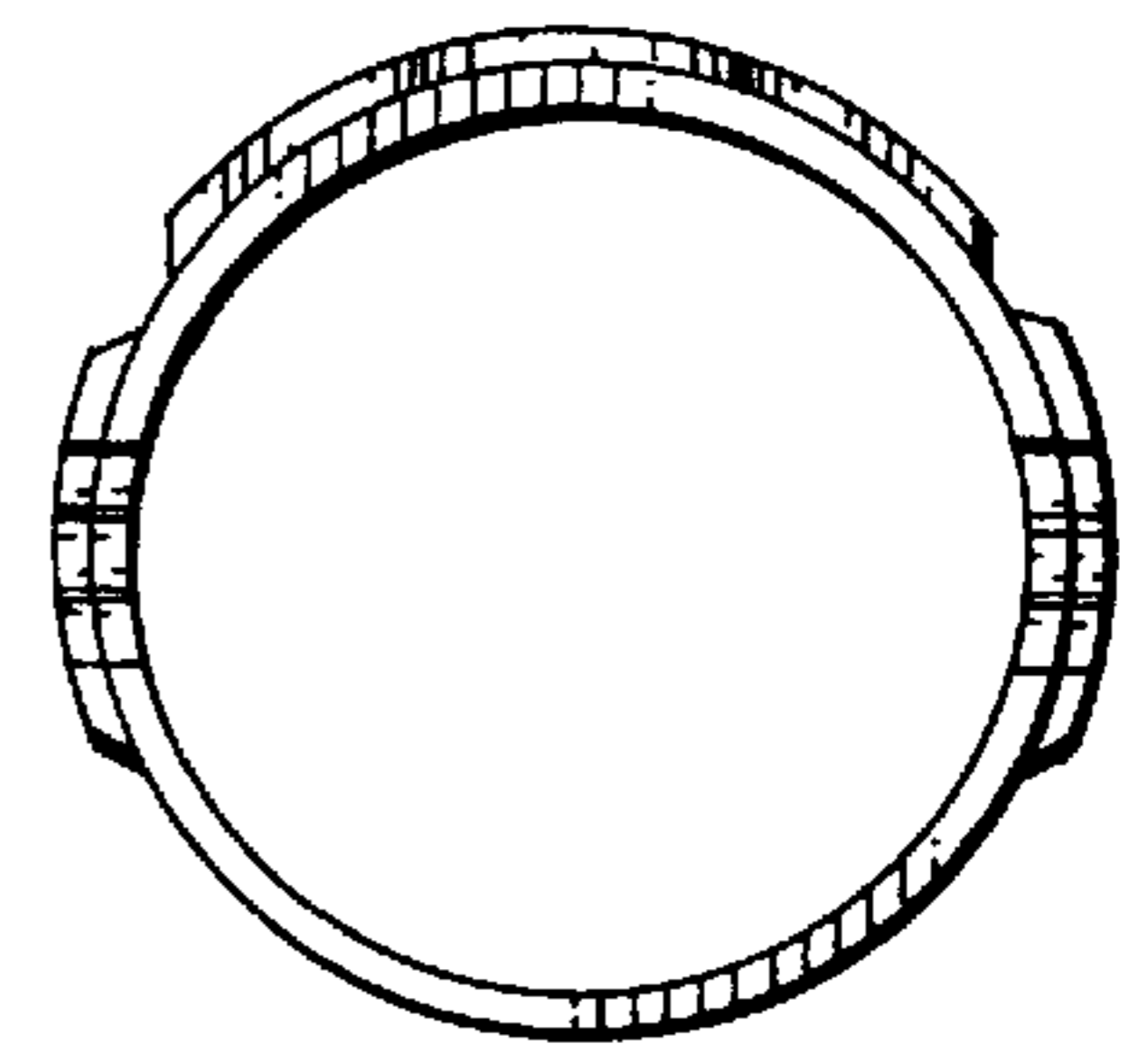




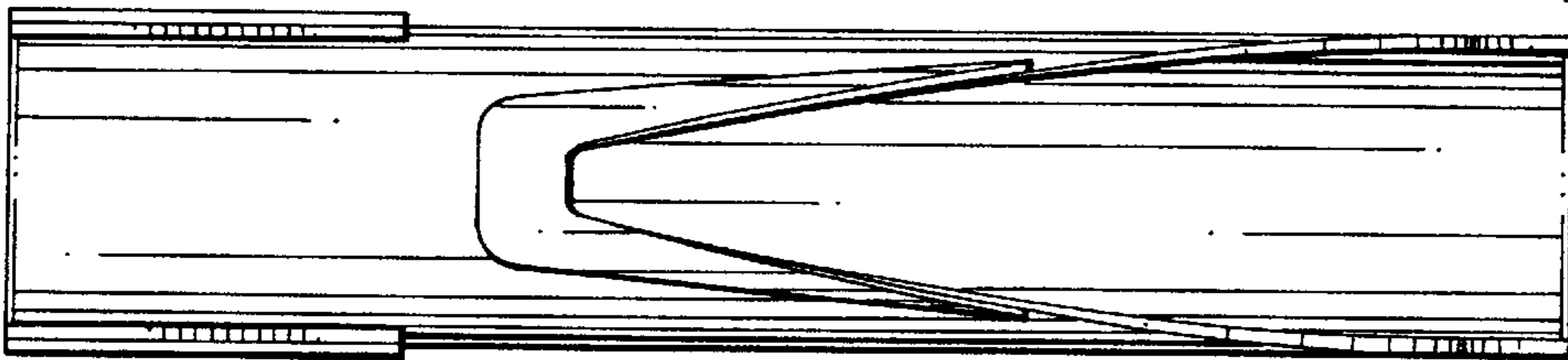
*FIG. 1*



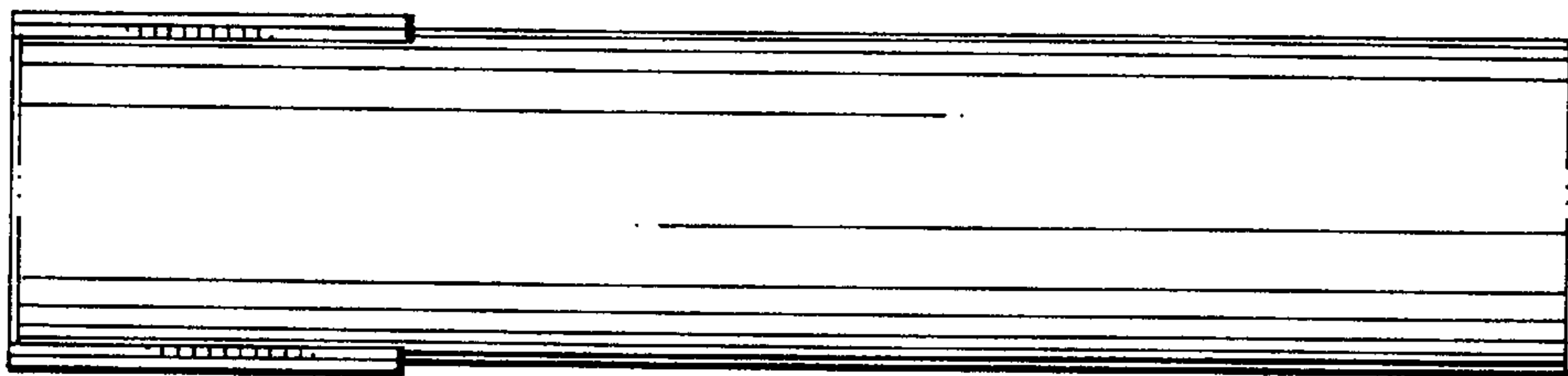
*FIG. 5*



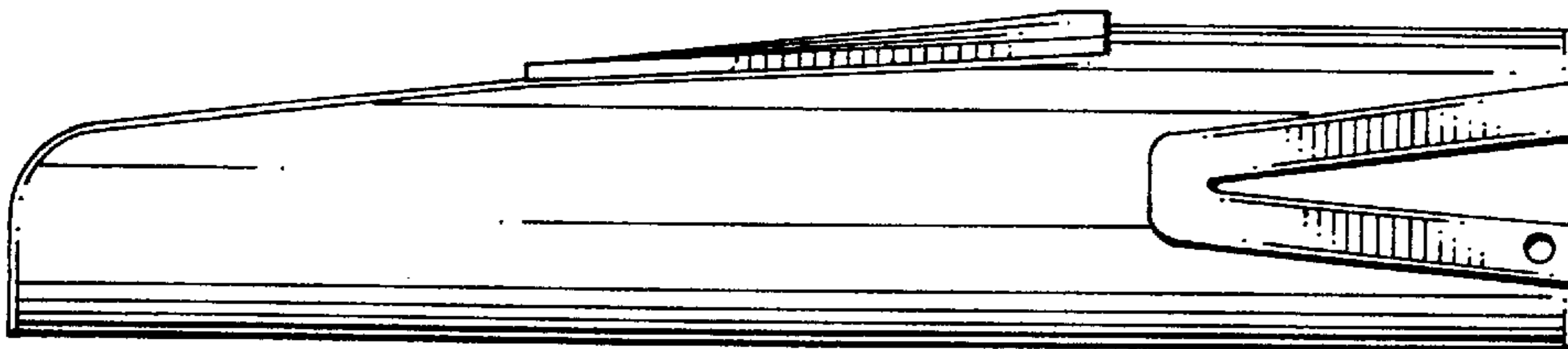
*FIG. 6*



*FIG. 2*



*FIG. 3*



*FIG. 4*