



US00D406015S

United States Patent [19]
Tisdale

[11] **Patent Number: Des. 406,015**

[45] **Date of Patent: **Feb. 23, 1999**

[54] **CANISTER SET**

2,207,520 7/1940 Rhody 206/229
5,335,804 8/1994 Flory 211/78

[75] Inventor: **David W. Tisdale**, Southport, Conn.

[73] Assignee: **M. Kamenstein, Inc.**, Elmsford, N.Y.

[**] Term: **14 Years**

Primary Examiner—Terry A. Wallace
Attorney, Agent, or Firm—Robert A. Koons, Jr.; James W. Bolcsak

[21] Appl. No.: **85,958**

[22] Filed: **Apr. 2, 1998**

[57] **CLAIM**

The ornamental design for a canister set, as shown and described.

[51] **LOC (6) Cl.** **09-02**

[52] **U.S. Cl.** **D7/614**

[58] **Field of Search** D7/612–615, 629,
D7/590, 600; D9/526, 551, 519; 211/71.01,
74, 77, 78; 215/370, 379, 400

DESCRIPTION

FIG. 1 is a perspective view of a canister set showing my new design;

FIG. 2 is a top plan view of the canister set;

FIG. 3 is a bottom plan view of the canister set; and,

FIG. 4 is a front elevational view of the canister set, with the side elevational views at 72°, 144°, 216°, and 288° being identical thereto.

[56] **References Cited**

U.S. PATENT DOCUMENTS

D. 97,099 10/1935 Scurlock D7/614
D. 370,834 6/1996 Hartman D7/612

1 Claim, 2 Drawing Sheets



FIG. 1



FIG. 4

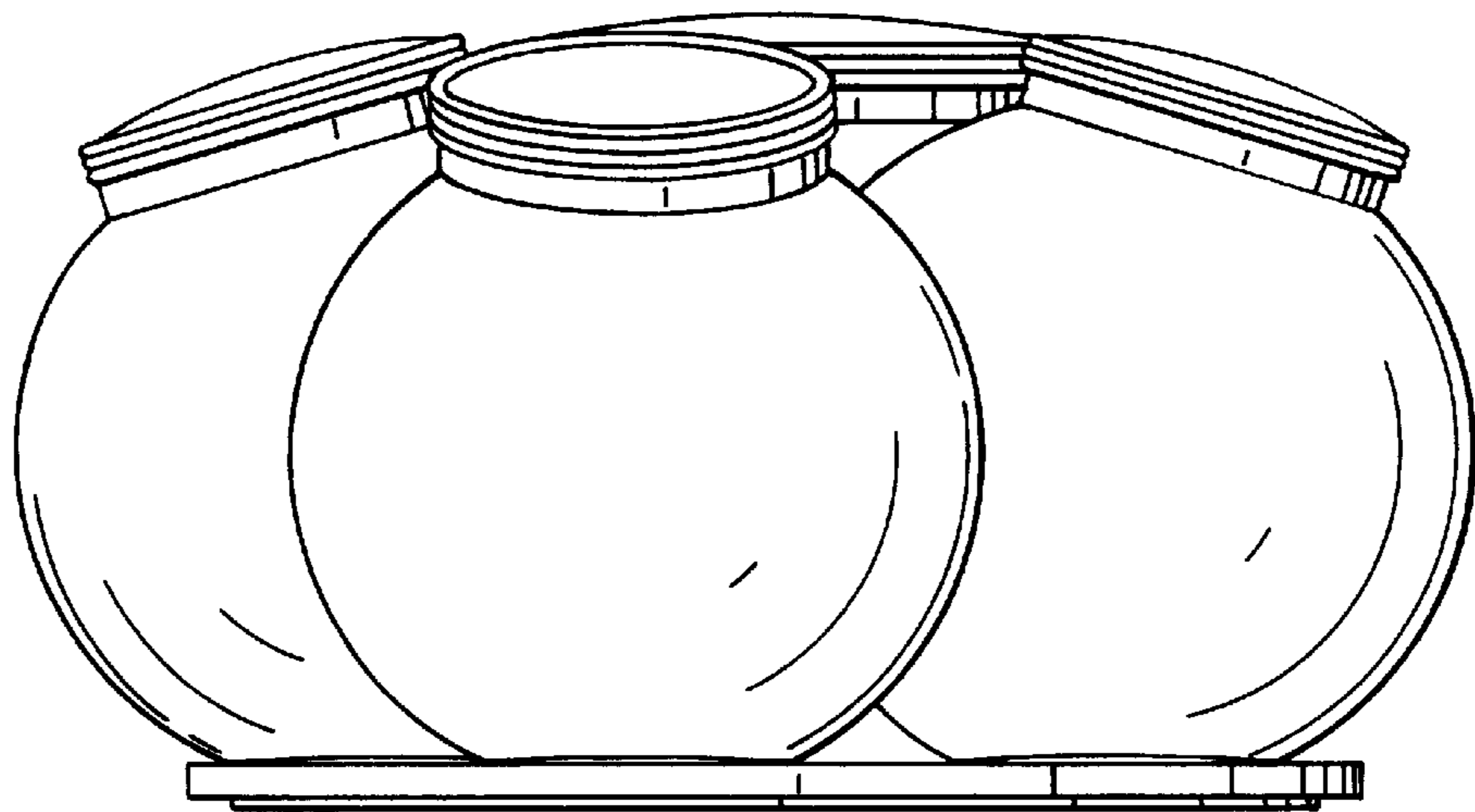


FIG. 2

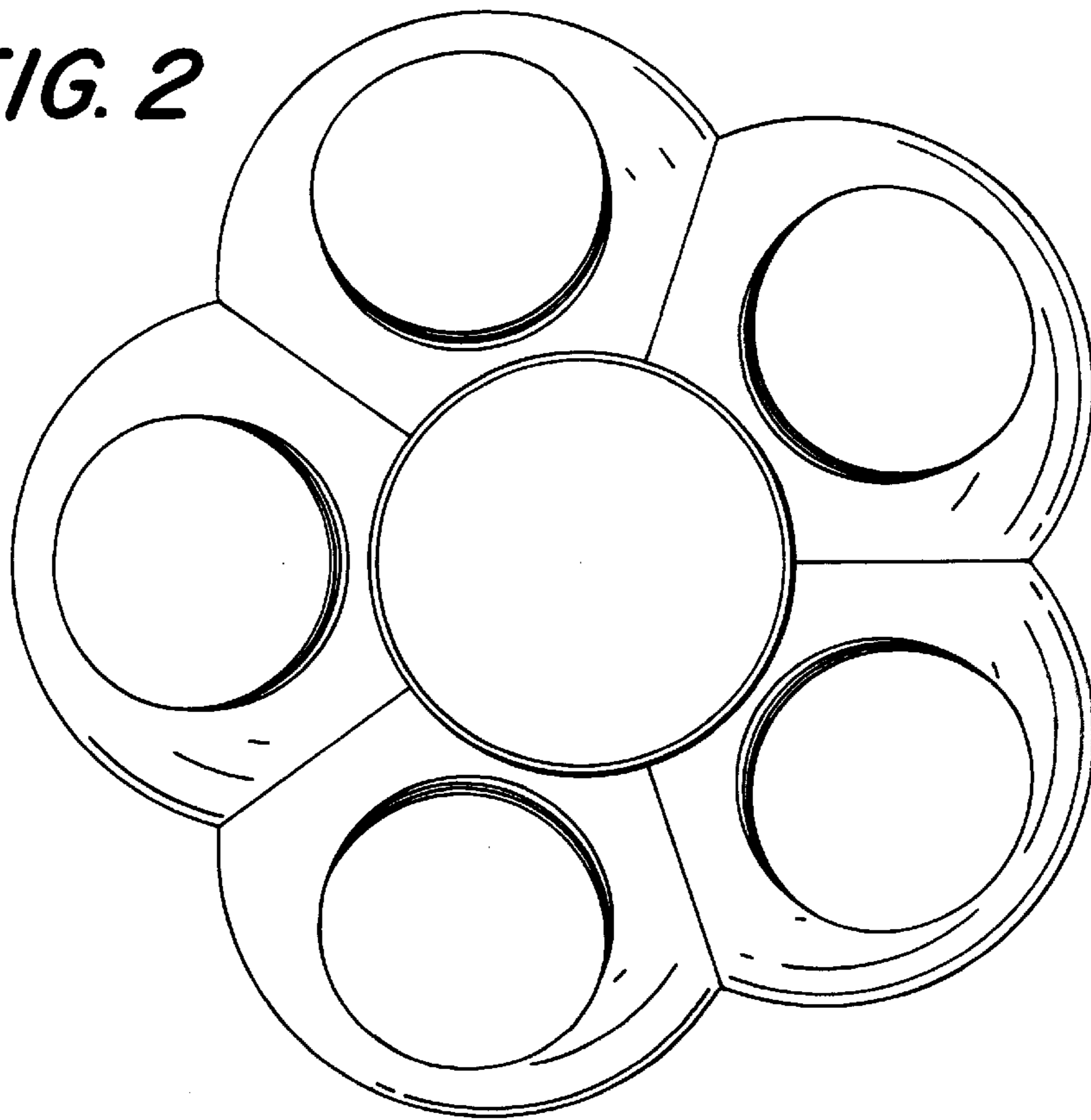


FIG. 3

