



US00D406012S

# United States Patent [19]

Indekeu

[11] **Patent Number: Des. 406,012**

[45] **Date of Patent: \*\*Feb. 23, 1999**

[54] **CUP**

[75] **Inventor: Erik Indekeu, Borgerhout, Belgium**

[73] **Assignee: De Ster NV, Belgium**

[\*\*] **Term: 14 Years**

[21] **Appl. No.: 77,170**

[22] **Filed: Apr. 11, 1997**

[51] **LOC (6) Cl. .... 07-01**

[52] **U.S. Cl. .... D7/536**

[58] **Field of Search ..... D7/536, 333, 514, D7/523, 509, 532; 220/662, 672, 670, 713, 711, 755, 671**

D. 289,124	4/1987	Unger .....	D7/536
D. 313,921	1/1991	Unger .....	D7/536 X
D. 316,009	4/1991	Scherer .....	D7/536
D. 320,718	10/1991	Unger .....	D7/536
2,770,956	11/1956	Achtziger .....	D7/536

### OTHER PUBLICATIONS

De Ster NV, Product Catalog.  
De Ster NV, Product Brochures, 1994–1995.

*Primary Examiner*—M. N. Pandozzi  
*Attorney, Agent, or Firm*—Kennedy, Davis & Kennedy, P.C.

### [57] CLAIM

The ornamental design for a cup, as shown and described.

### DESCRIPTION

FIG. 1 is a perspective view thereof;  
FIG. 2 is a top view thereof;  
FIG. 3 is a bottom view thereof;  
FIG. 4 is a side view thereof;  
FIG. 5 is a side view thereof, opposite the side shown in FIG. 4; and,  
FIG. 6 is a side view thereof, contiguous to the sides shown in FIGS. 4 and 5, with the side opposite thereto being a mirror image thereof.

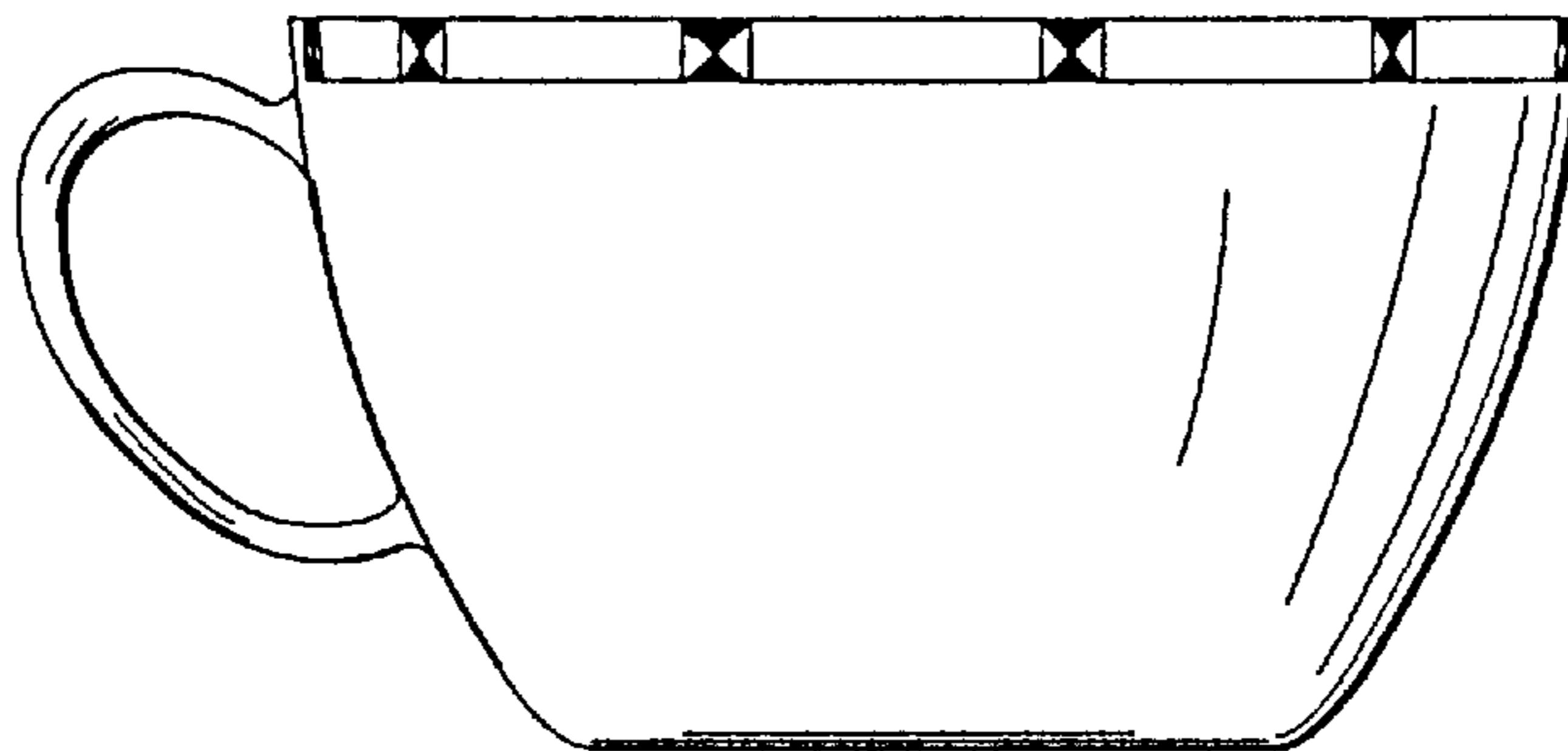
**1 Claim, 2 Drawing Sheets**

[56]

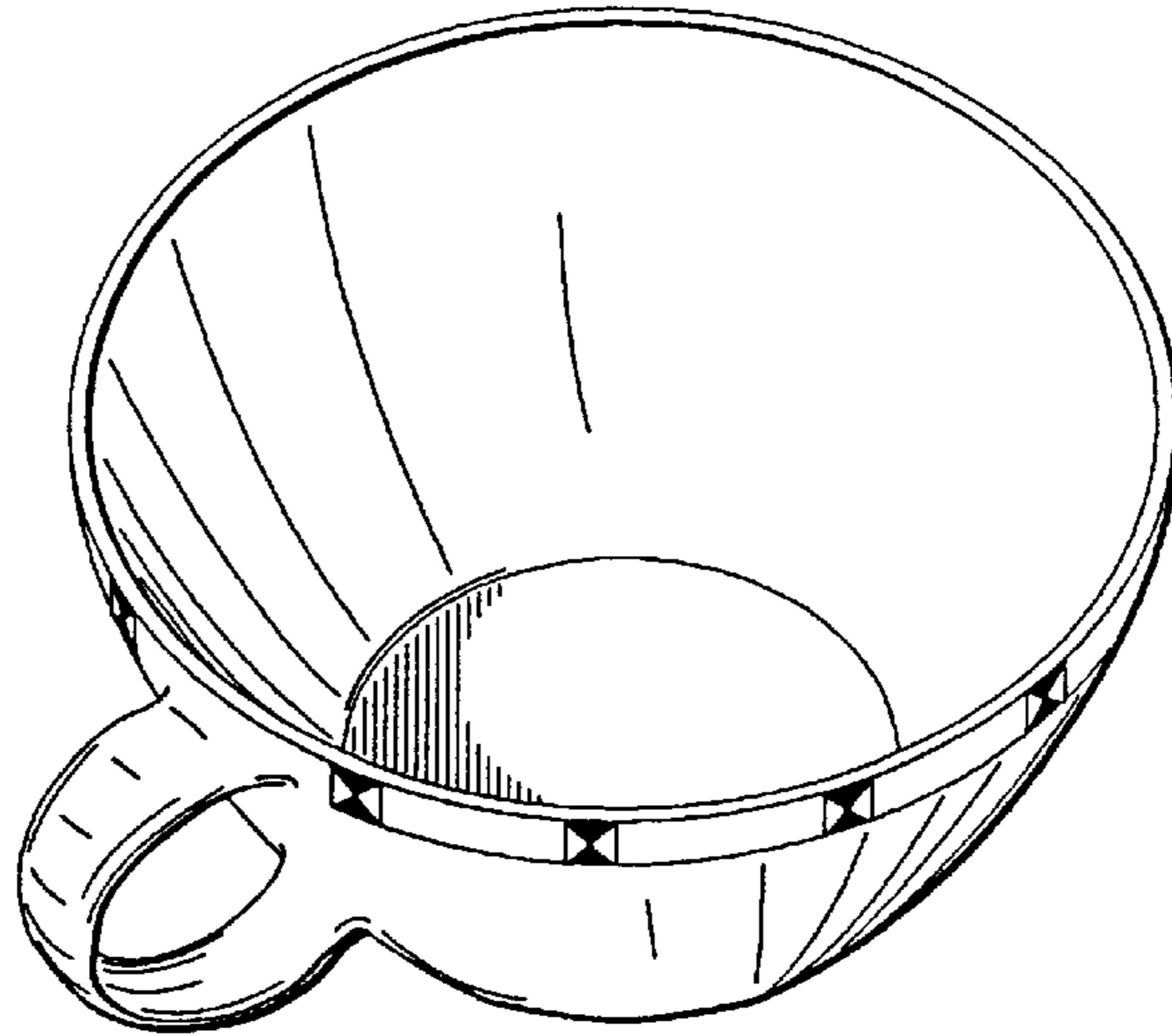
### References Cited

#### U.S. PATENT DOCUMENTS

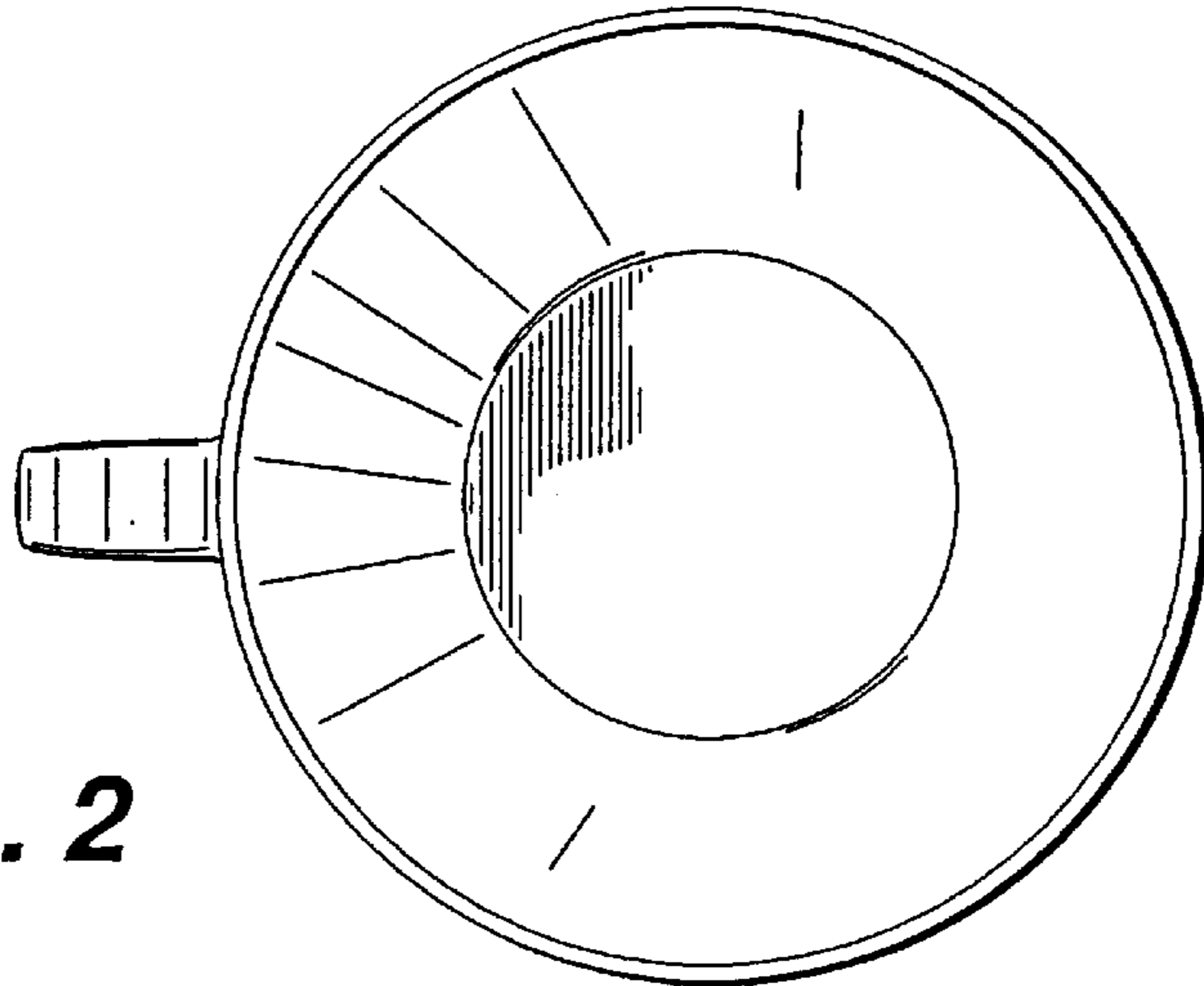
D. 62,407	5/1923	Nichols .....	D7/536
D. 70,711	7/1926	Thompson .....	D7/536
D. 79,102	7/1929	Rhead .....	D7/536
D. 89,391	3/1933	Fisher .....	D7/536
D. 90,458	8/1933	Schiller .....	D7/536
D. 164,404	9/1951	Cowan .....	D7/536
D. 224,623	8/1972	Ketcham .....	D7/536
D. 274,969	8/1984	Unger .....	D7/536
D. 288,270	2/1987	Winterling .....	D7/536



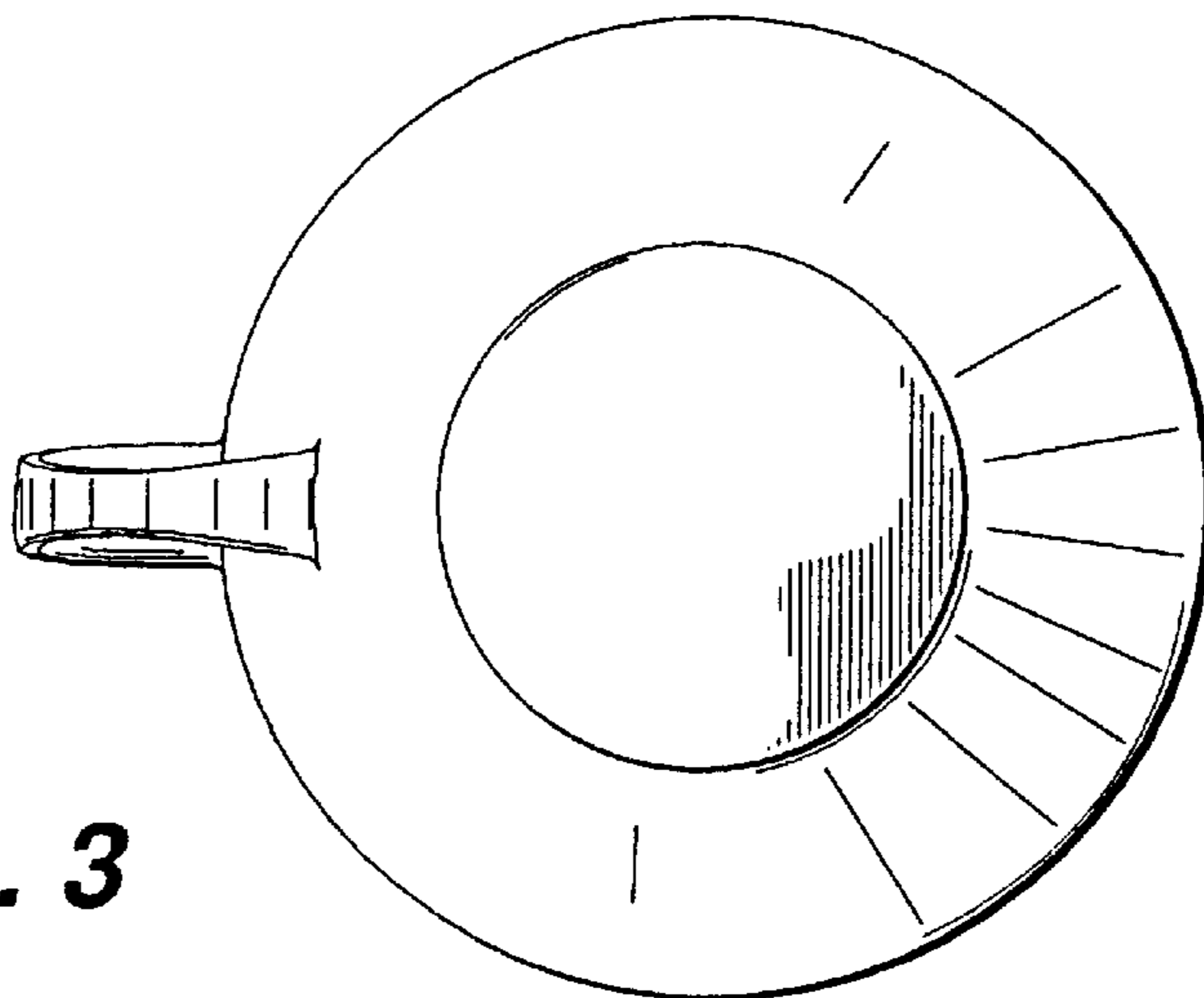
**FIG. 1**



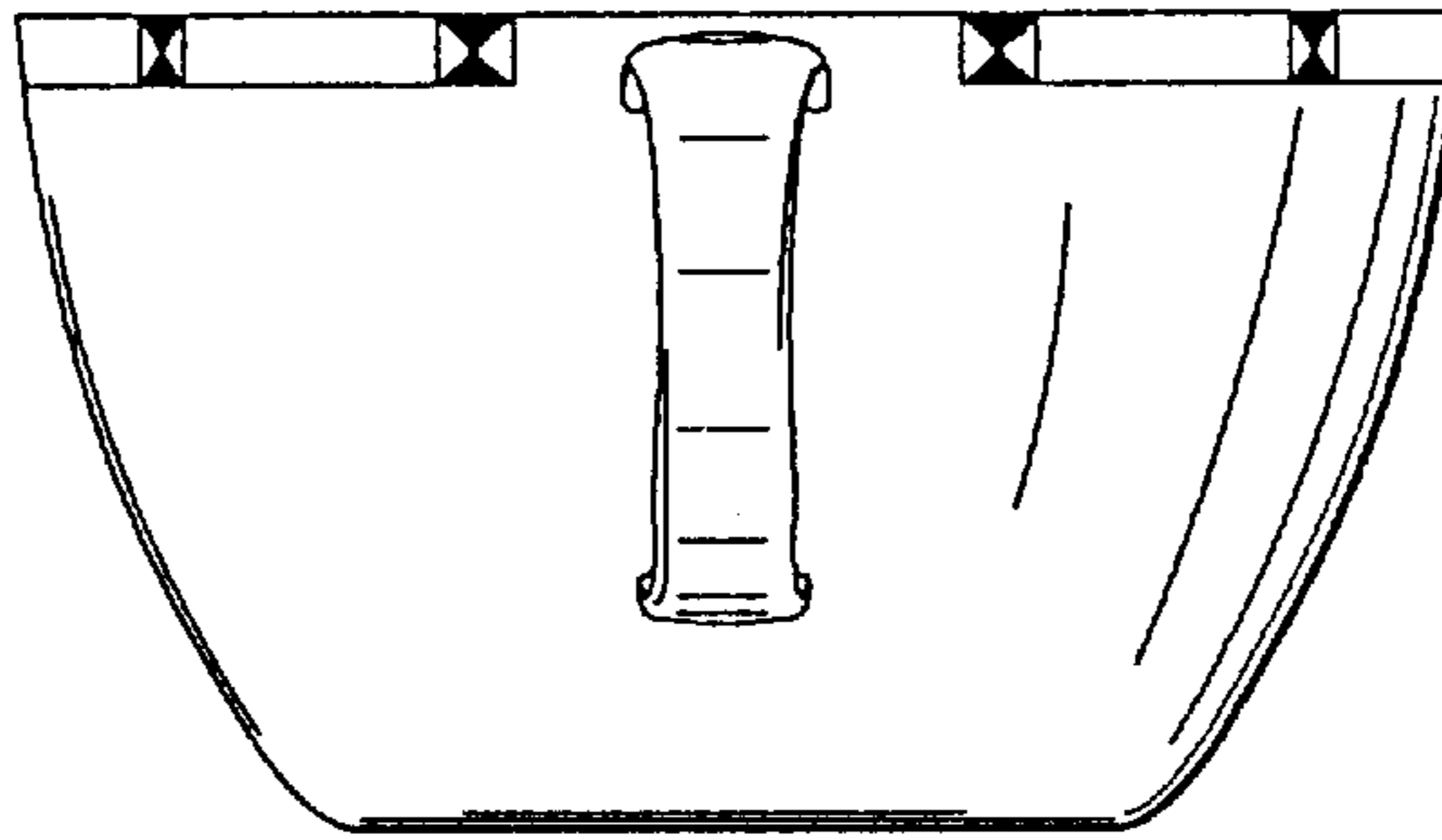
**FIG. 2**



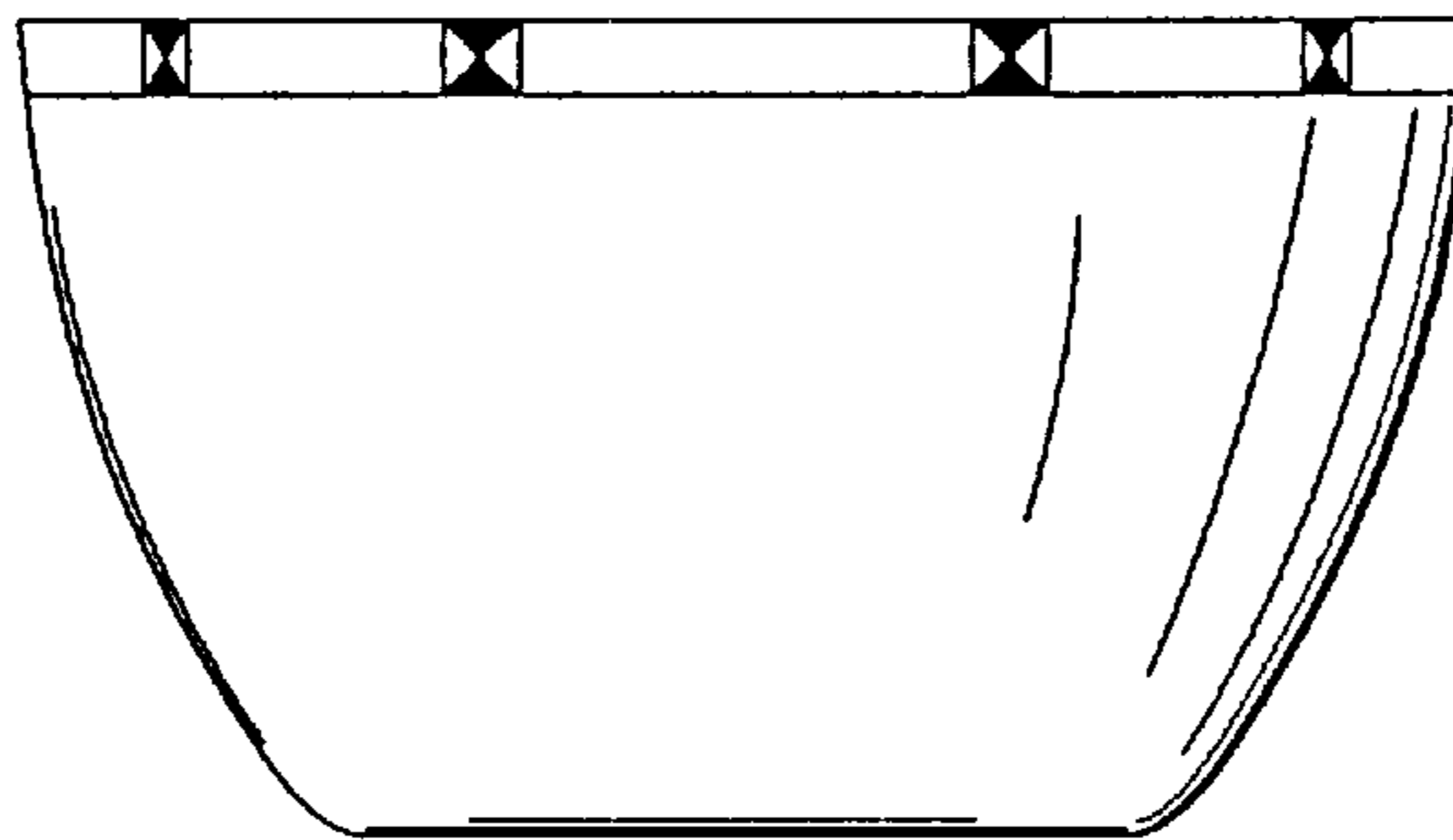
**FIG. 3**



**FIG. 4**



**FIG. 5**



**FIG. 6**

