



US00D406009S

# United States Patent [19]

Wagner et al.

[11] **Patent Number: Des. 406,009**

[45] **Date of Patent: \*\*Feb. 23, 1999**

[54] **TOP CASTING FOR BARBECUE GRILL**

[75] Inventors: **Wesley J. Wagner**, Columbus, Ga.;  
**Ken Richied**, Dayton, Ohio; **Gary Torkington**, Florenceville; **Sam Zaidspiner**, Lawrenceville, both of Ga.

[73] Assignee: **W.C. Bradley Company**, Columbus, Ga.

[\*\*] Term: **14 Years**

[21] Appl. No.: **74,811**

[22] Filed: **Aug. 8, 1997**

[51] **LOC (6) Cl. .... 07-02**

[52] **U.S. Cl. .... D7/402; D7/332; D7/334**

[58] **Field of Search .... D7/332-338, 402-404, D7/406, 409; 99/419, 421 R, 421 A, 421 HV, 421 HH, 421 TP, 421 V; 126/25 R, 25 A, 25 AA, 26, 9, 40, 41 R, 41 A, 41 B**

[56] **References Cited**

**U.S. PATENT DOCUMENTS**

- D. 287,214 12/1986 Koziol ..... D7/332
- D. 287,215 12/1986 Koziol ..... D7/332

- D. 381,868 8/1997 Schmitt et al. .... D7/402
- 5,483,947 1/1996 Giebel et al. .... 126/41 R
- 5,536,518 7/1996 Rummel ..... 426/523

**OTHER PUBLICATIONS**

Grill Lover's Catalog, Char-Broil, no page no. Char-Broil's Professional Series Grill (top right hand page), Mar. 1995.

*Primary Examiner*—Ruth McInroy  
*Attorney, Agent, or Firm*—James W. Kayden; Thomas, Kayden, Horstemeyer & Risley, LLP

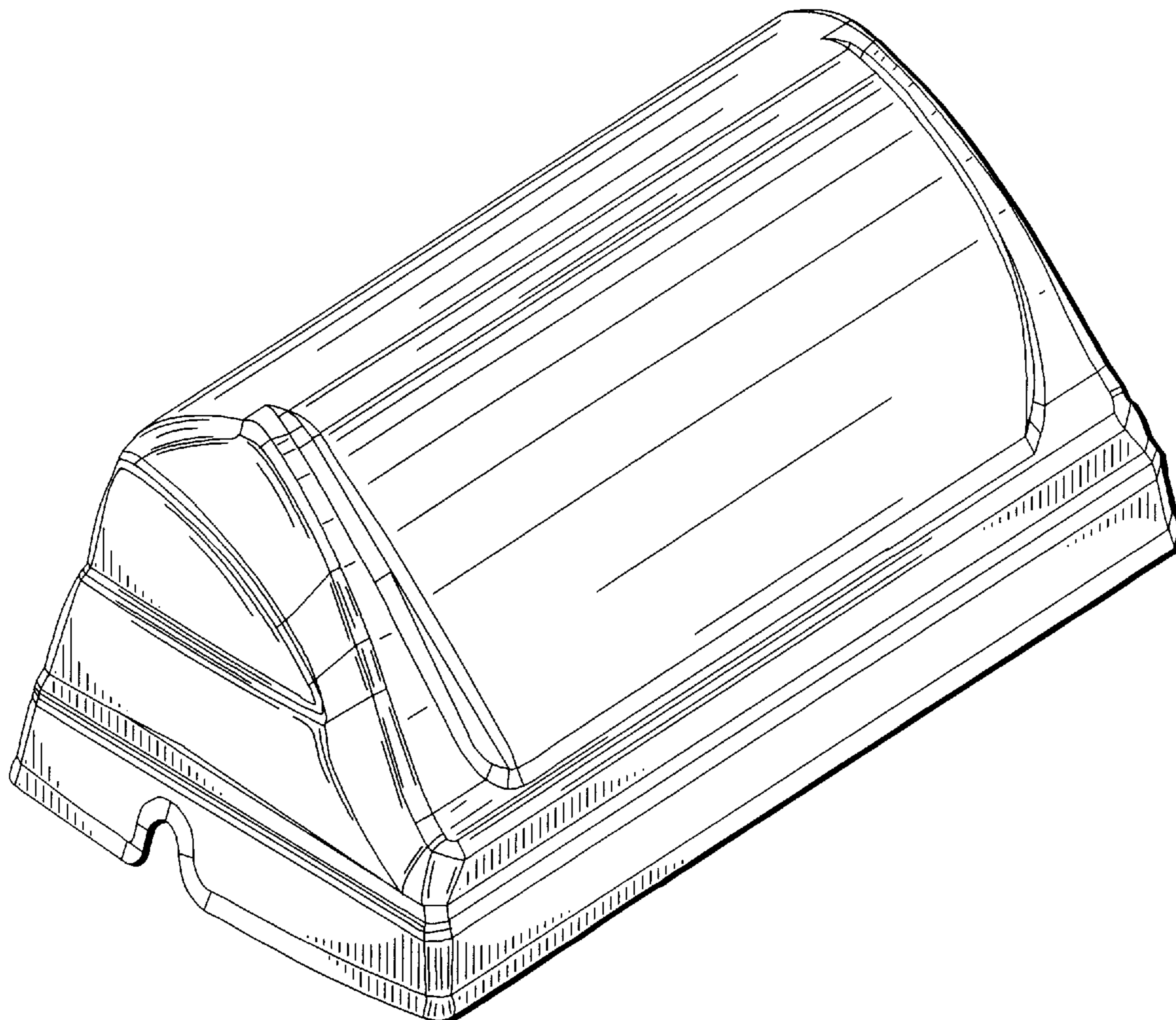
[57] **CLAIM**

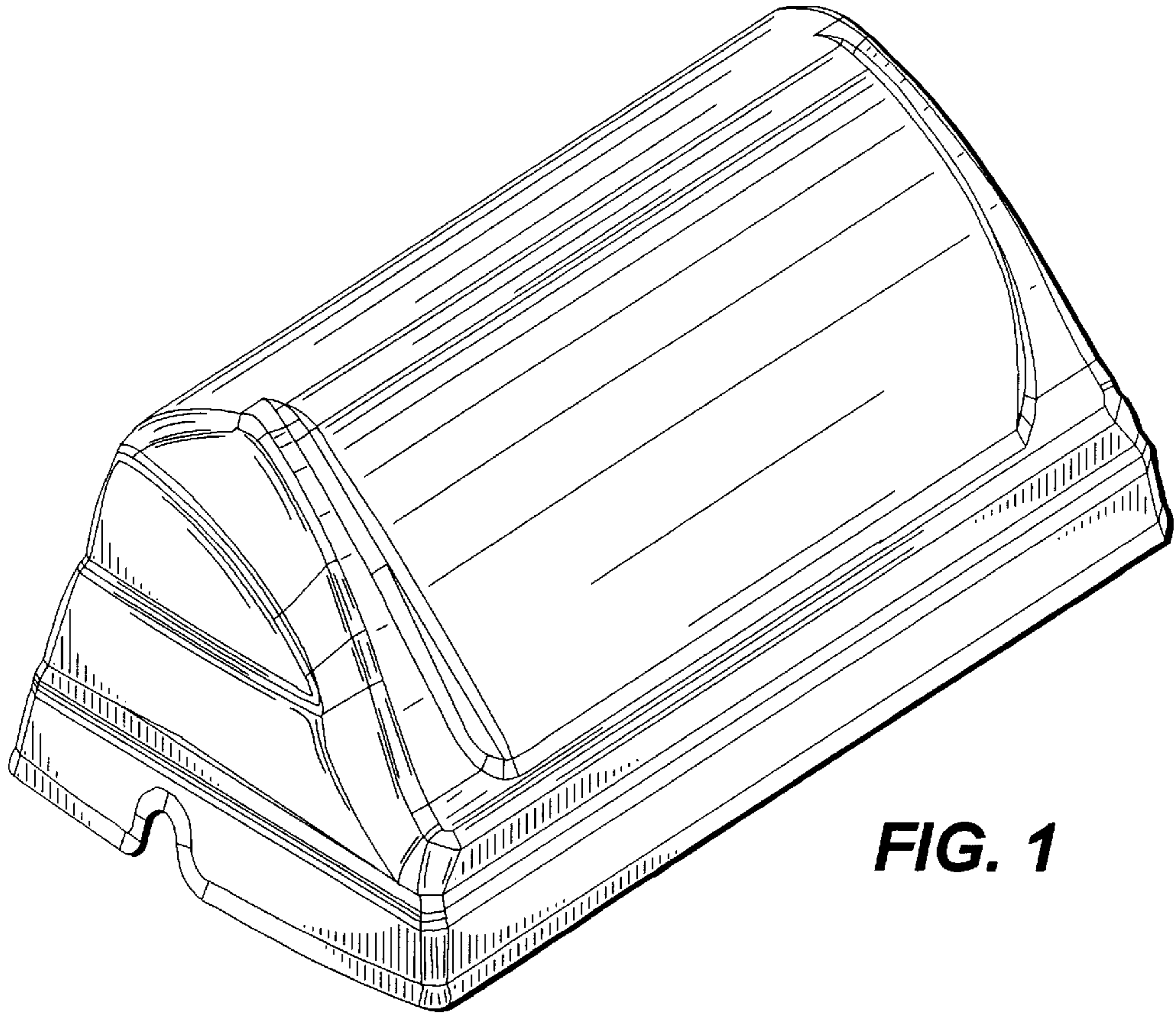
The ornamental design for a top casting for barbecue grill, as shown and described.

**DESCRIPTION**

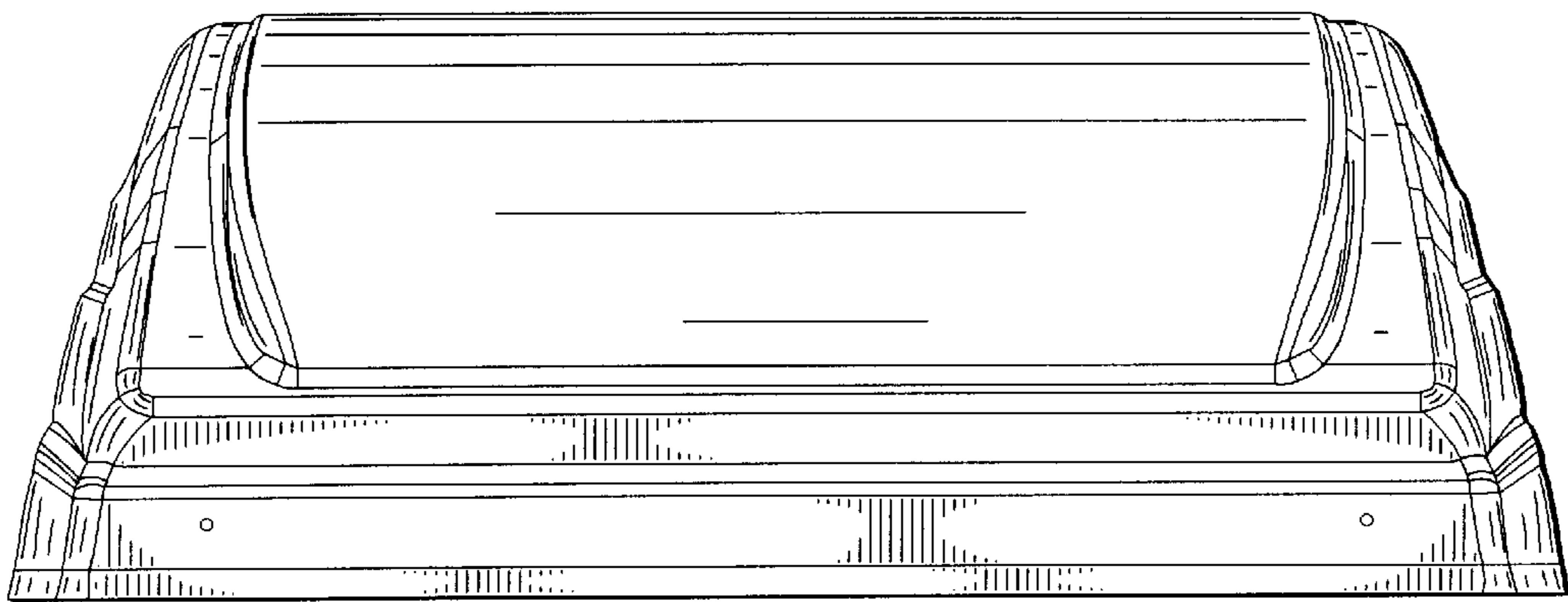
FIG. 1 is a perspective view of a top casting for barbecue grill showing our new design;  
FIG. 2 is a front elevational view thereof;  
FIG. 3 is a rear elevational view thereof;  
FIG. 4 is a right side elevational view thereof;  
FIG. 5 is a left side elevational view thereof;  
FIG. 6 is top plan view thereof; and,  
FIG. 7 is a bottom plan view thereof.

**1 Claim, 3 Drawing Sheets**

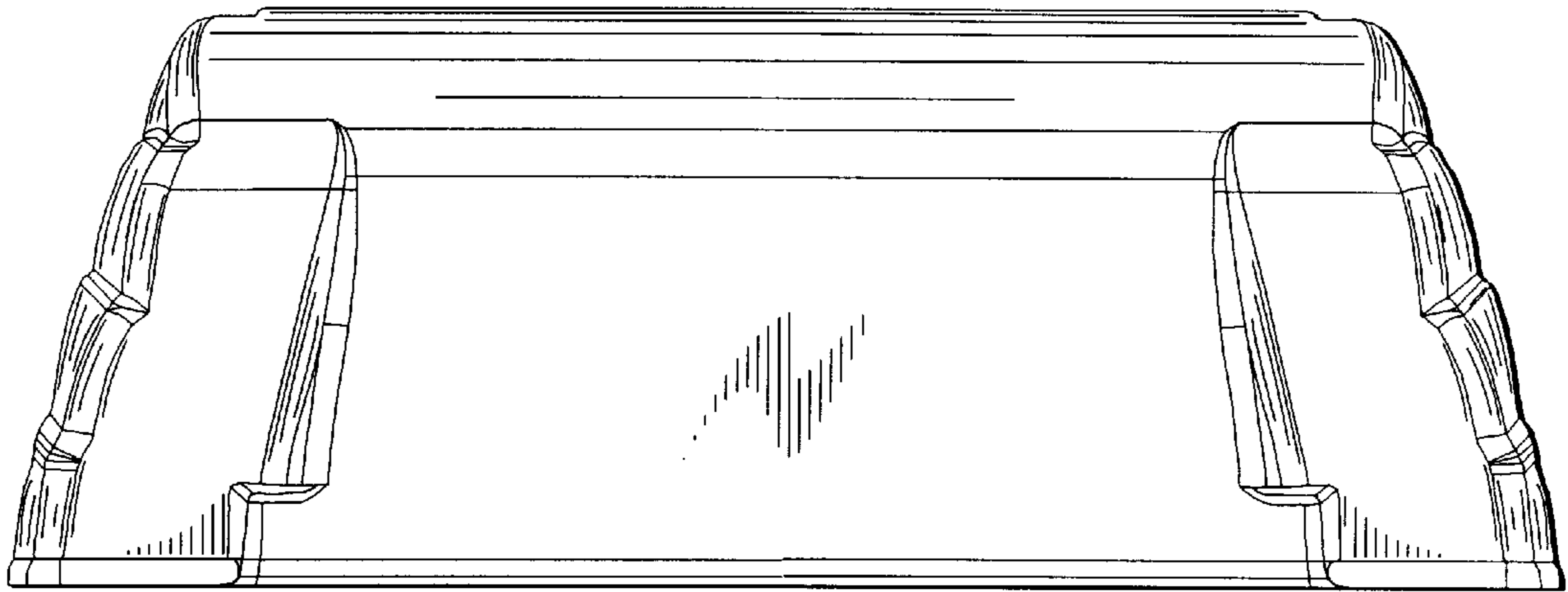




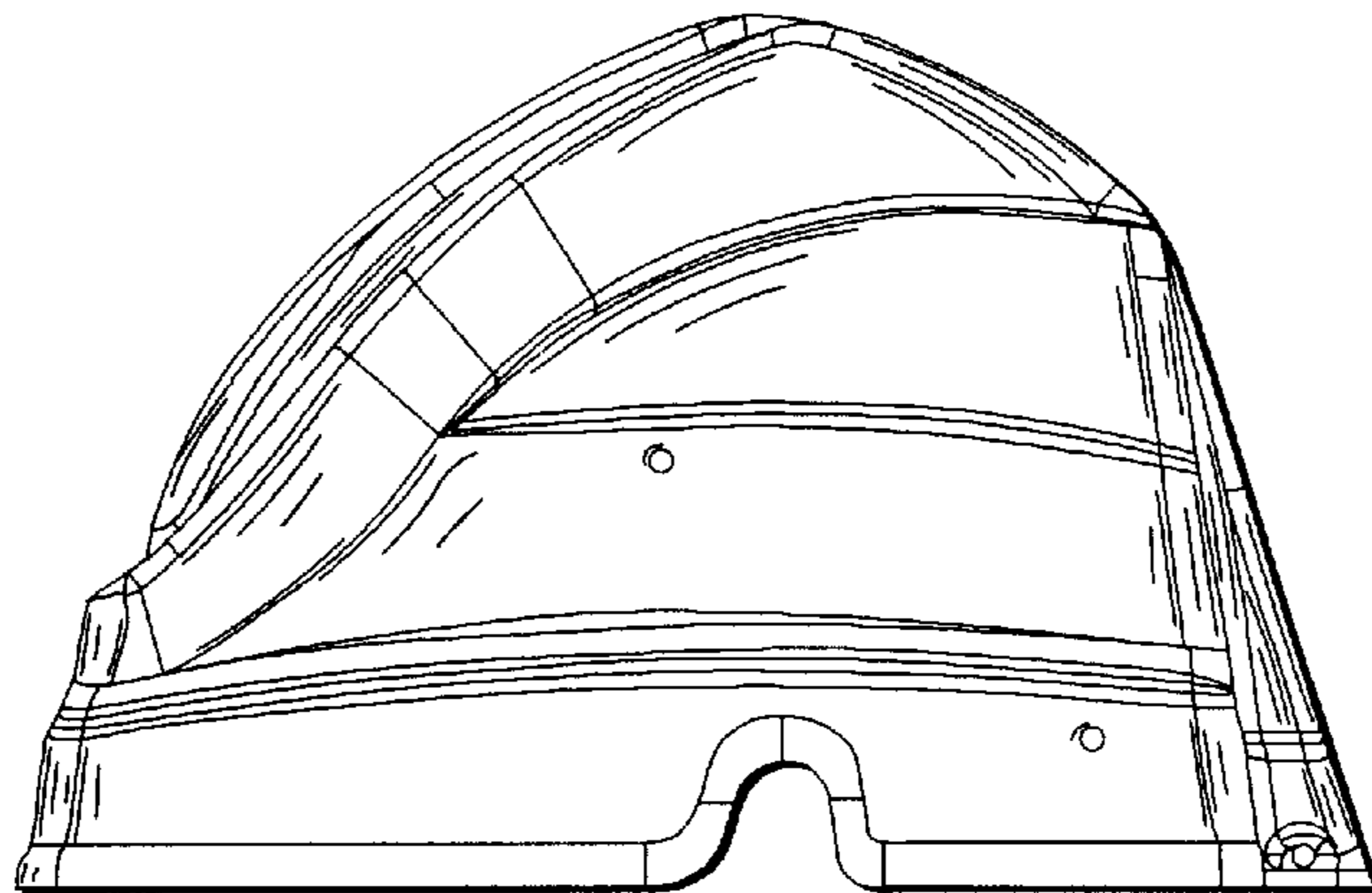
**FIG. 1**



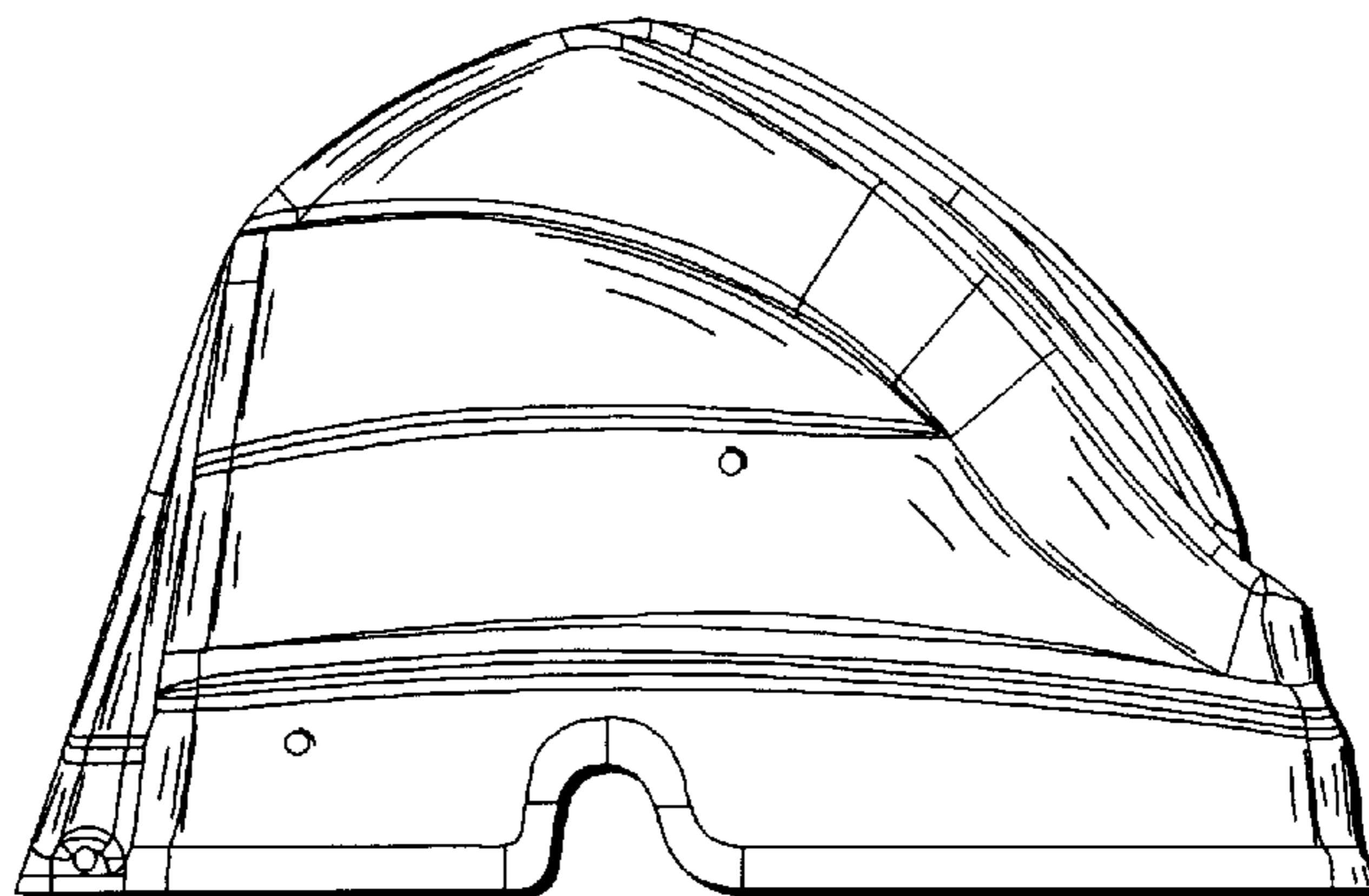
**FIG. 2**



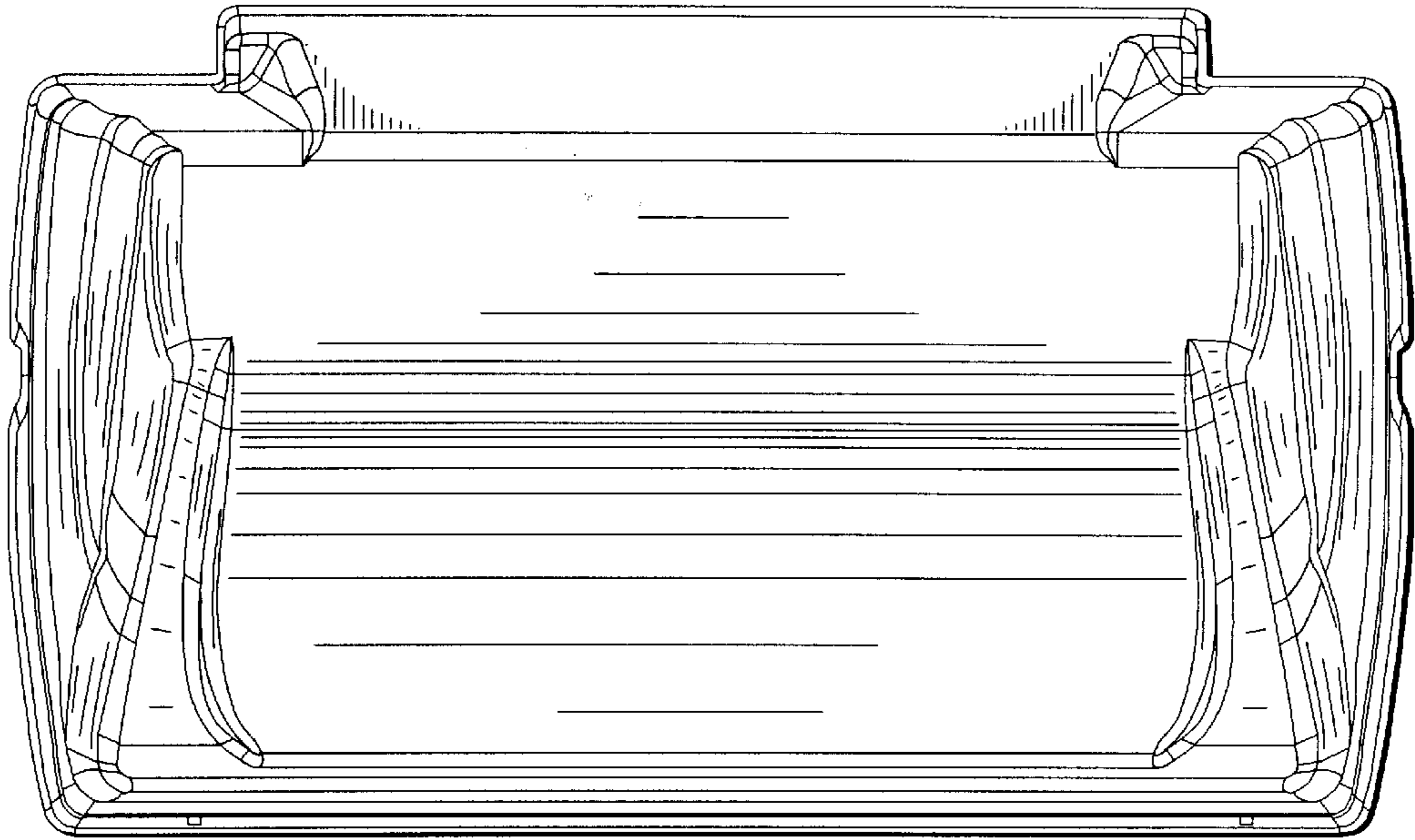
**FIG. 3**



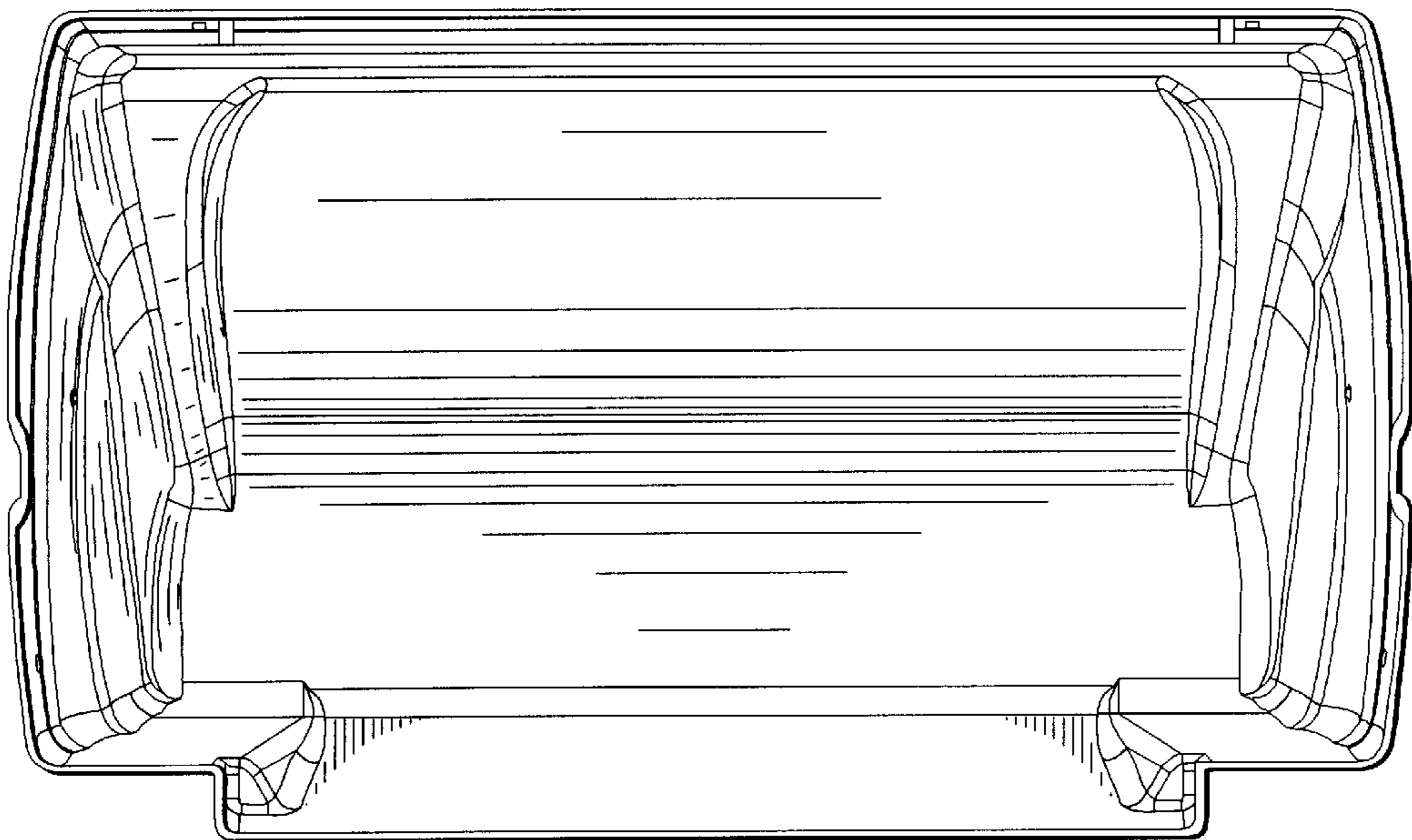
**FIG. 4**



**FIG. 5**



**FIG. 6**



**FIG. 7**