



US00D406008S

# United States Patent [19]

Home

[11] **Patent Number: Des. 406,008**

[45] **Date of Patent: \*\*Feb. 23, 1999**

[54] **FLANGE JOINTED TYPE BARBECUE VALVE**

[76] Inventor: **William Home**, 9th Fl/3, No. 374, Sec. 2, Pa-teh Road, Taipei, Taiwan

[\*\*] Term: **14 Years**

3,814,077 6/1974 Riehl ..... 126/39 E  
 4,123,633 10/1978 Stevens et al. .... 200/61.86  
 4,249,047 2/1981 Huff et al. .... 200/61.86  
 5,375,585 12/1994 Home ..... 126/39 E  
 5,391,076 2/1995 Home ..... 431/354  
 5,575,638 11/1996 Witham et al. .... 431/73  
 5,740,789 8/1998 Chang ..... 126/39 R

[21] Appl. No.: **63,949**

[22] Filed: **Dec. 19, 1996**

*Primary Examiner—Ruth McInroy*  
*Attorney, Agent, or Firm—A & J*

[51] **LOC (6) Cl.** ..... **07-02**

[52] **U.S. Cl.** ..... **D7/402; D23/233**

[58] **Field of Search** ..... 137/593, 555,  
 137/434, 861–862; 126/52, 39 R, 41 R,  
 39 E, 42, 39 BA, 25 R, 25 A, 25 AA, 29–30;  
 431/256; D23/233, 237, 244–245, 248–249;  
 D7/332–337, 402–404

### [57] CLAIM

The ornamental design for flange-jointed type barbecue valve, as shown and described.

### [56] References Cited

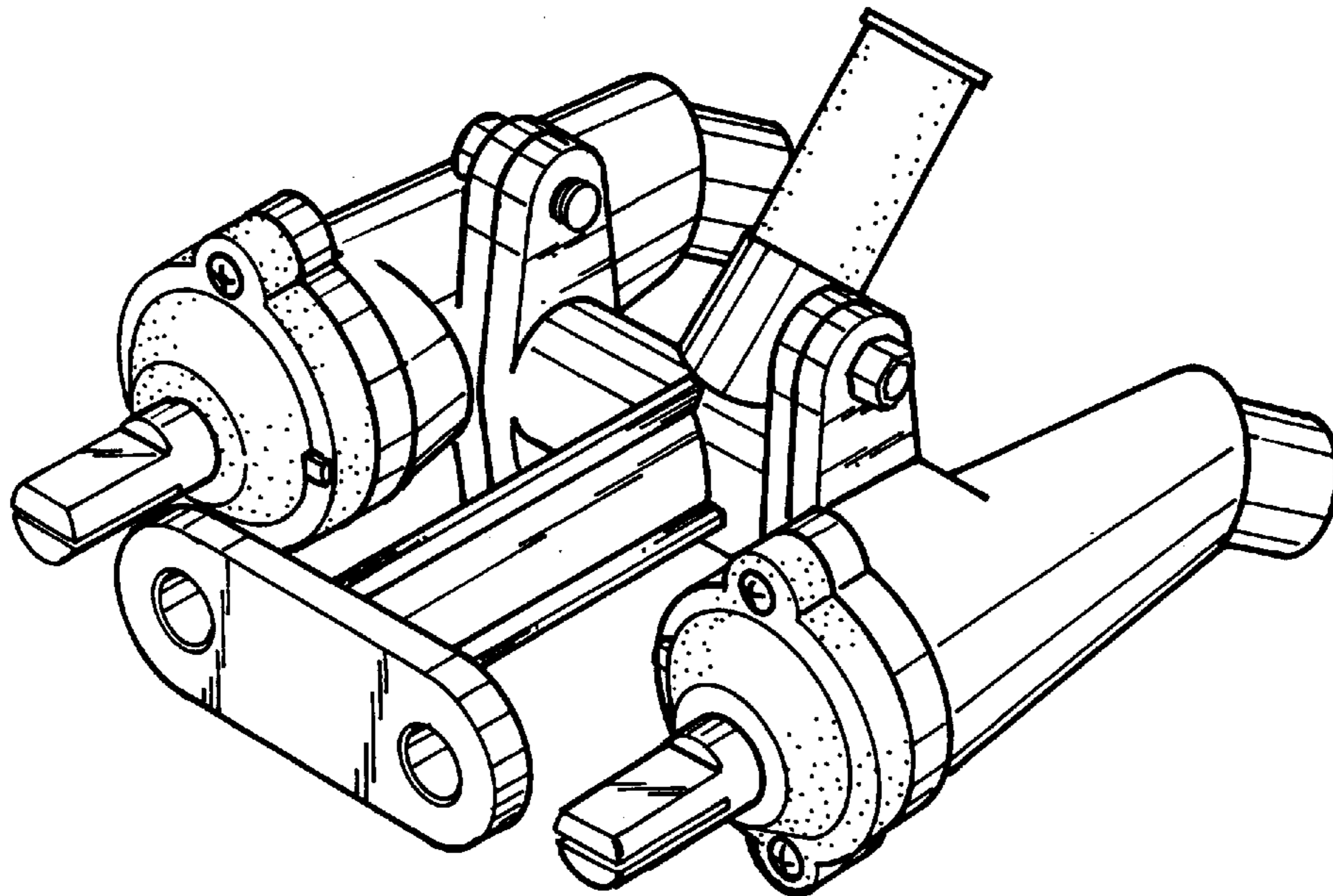
#### U.S. PATENT DOCUMENTS

### DESCRIPTION

FIG. 1 is a perspective view of flange-jointed type barbecue valve showing my new design;  
 FIG. 2 is a front view thereof;  
 FIG. 3 is a rear view thereof;  
 FIG. 4 is a right side elevational view thereof;  
 FIG. 5 is a left side elevational view thereof;  
 FIG. 6 is a top plan view thereof; and,  
 FIG. 7 is a bottom plan view thereof.

D. 251,011 2/1979 Krechel et al. .... D23/20  
 D. 297,560 9/1988 LeBreton ..... D23/233  
 D. 304,070 10/1989 Hughes ..... D23/245

**1 Claim, 7 Drawing Sheets**



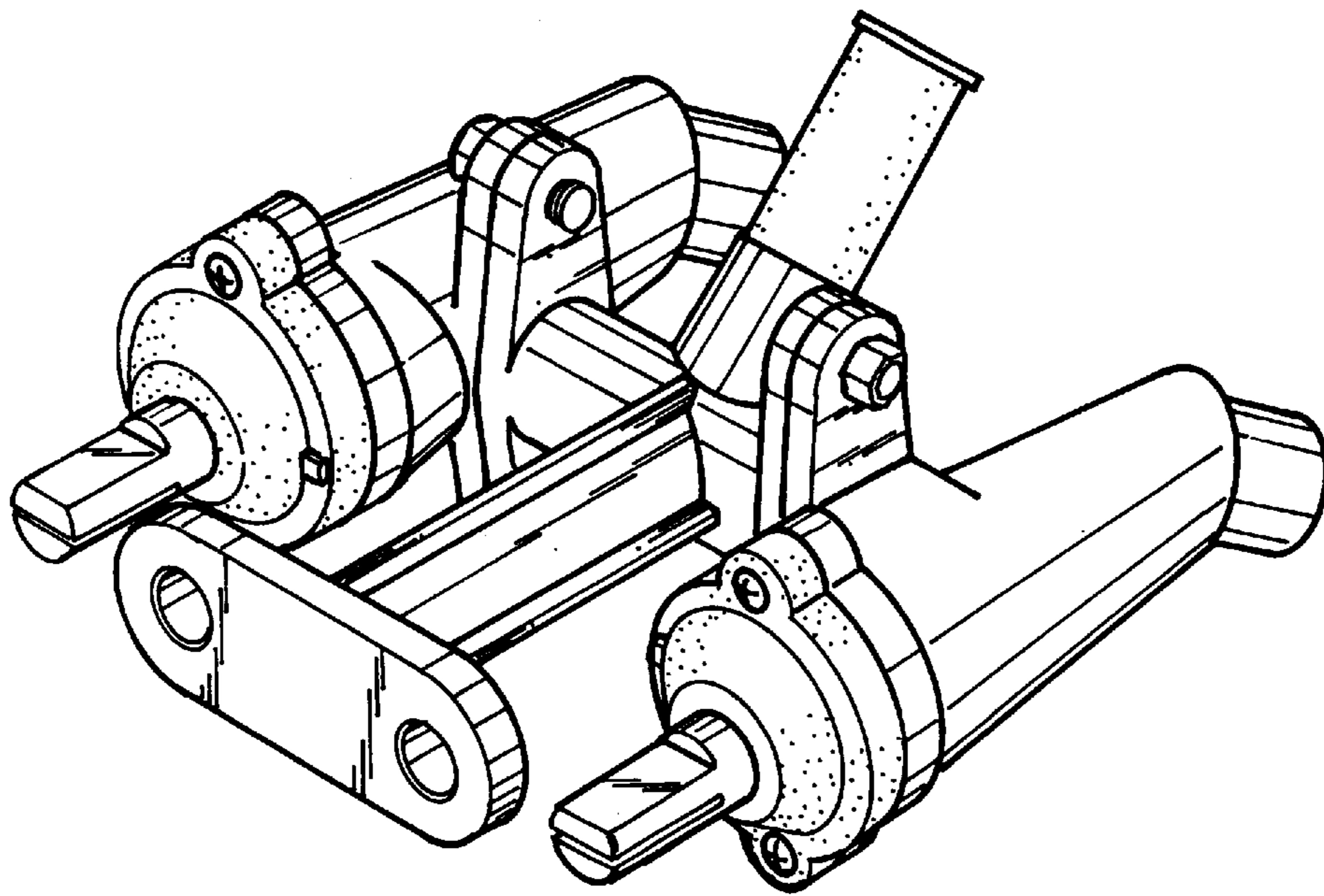


FIG. 1

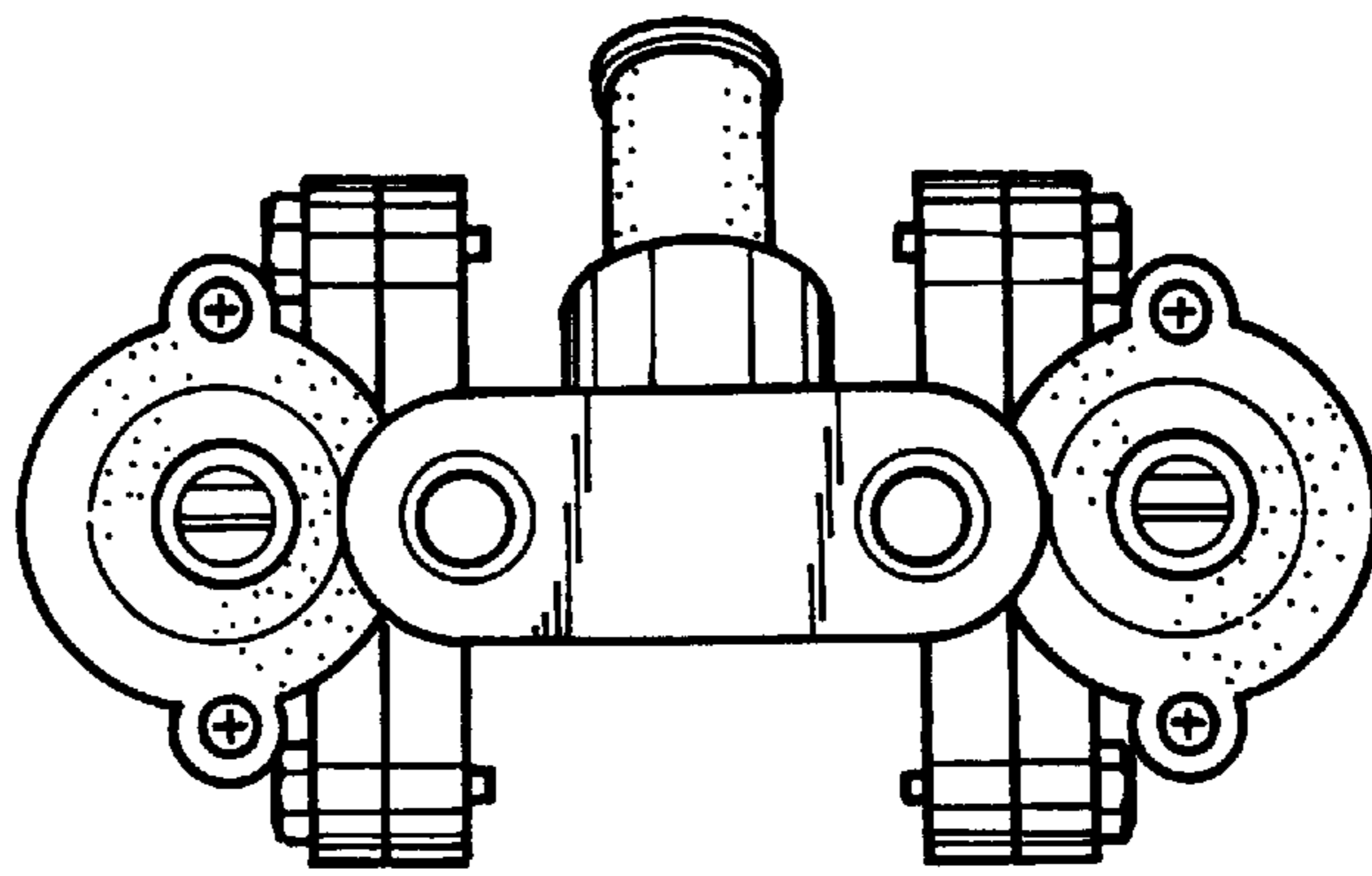


FIG. 2

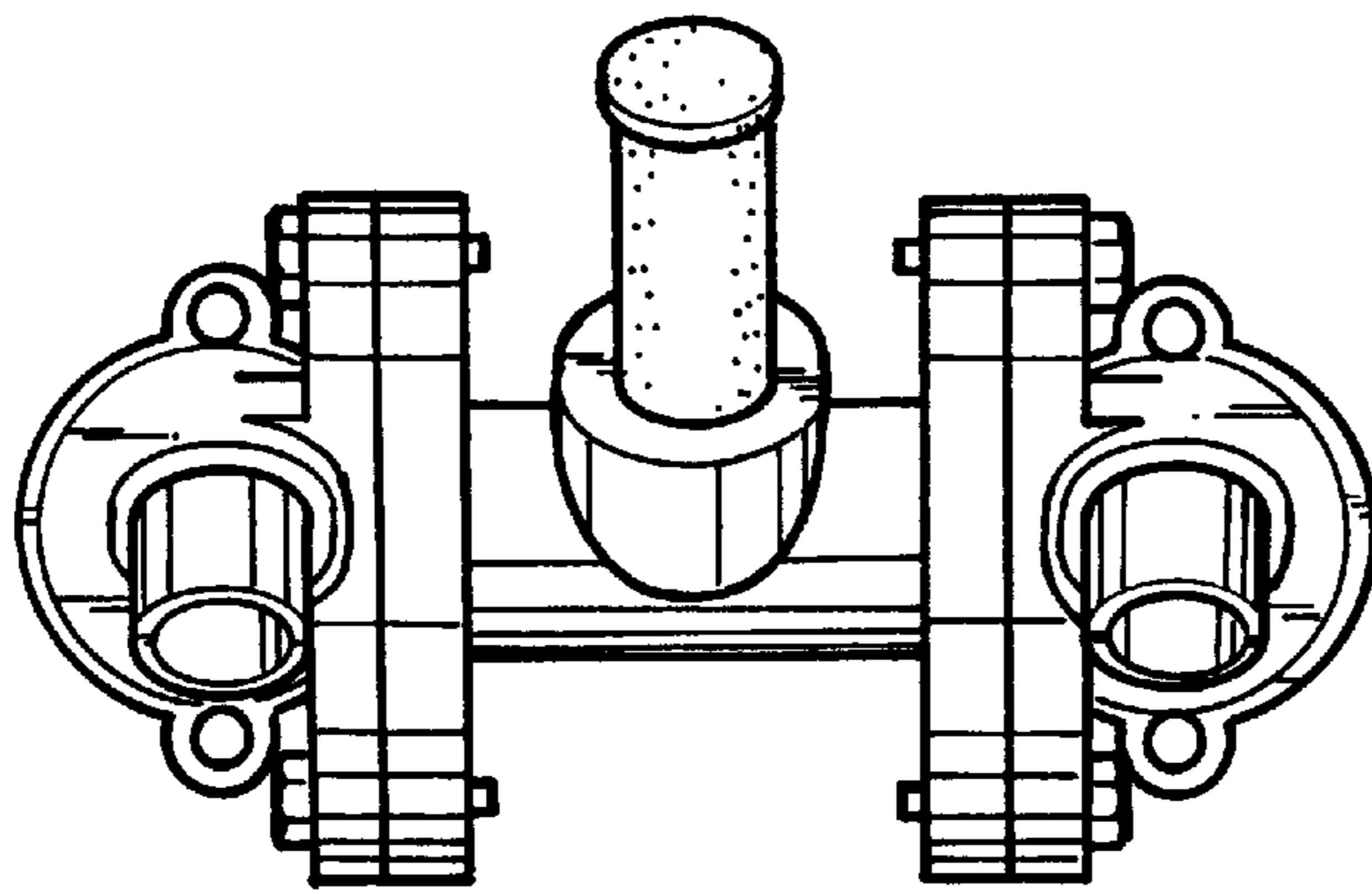


FIG. 3

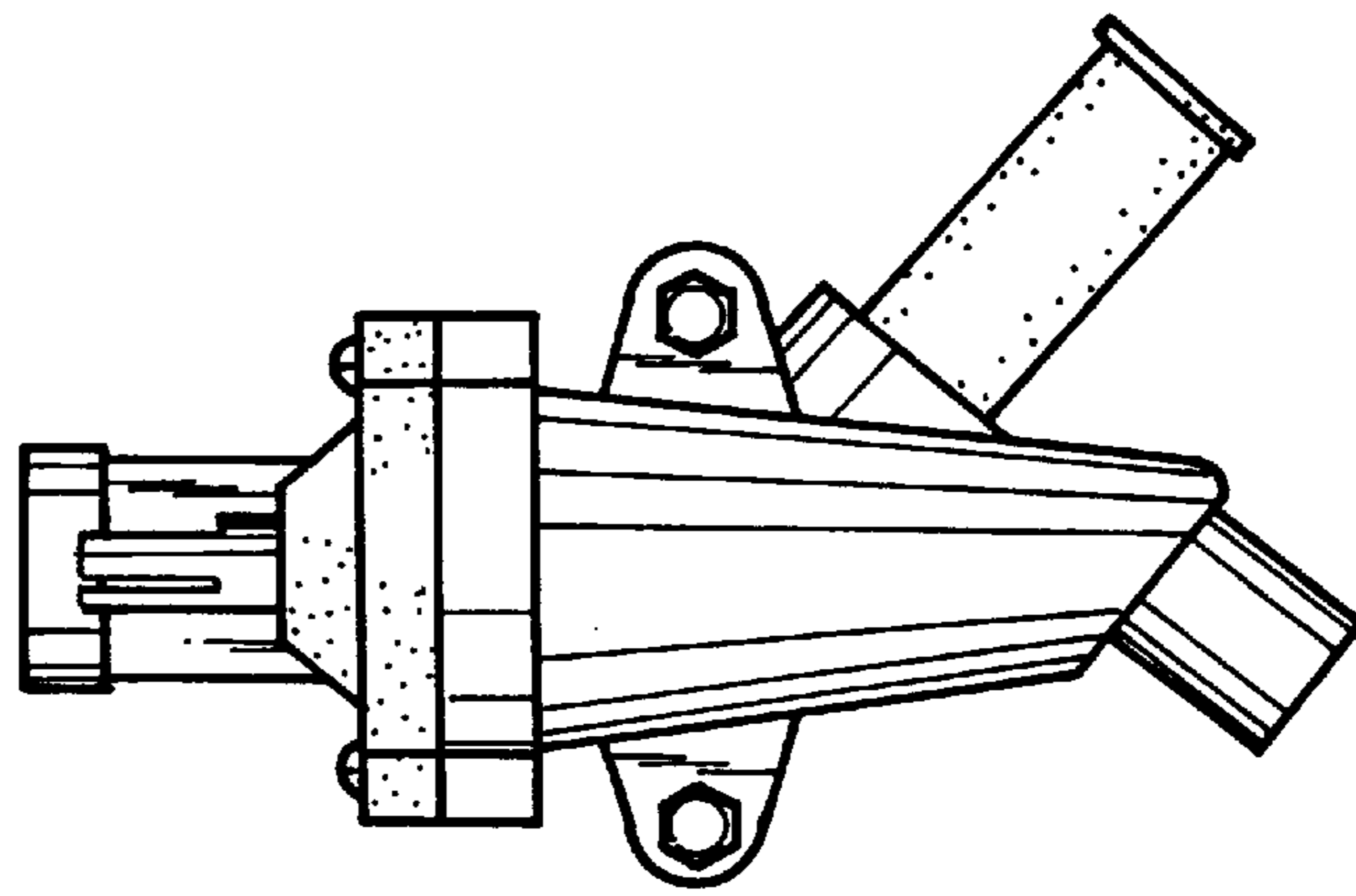


FIG. 4

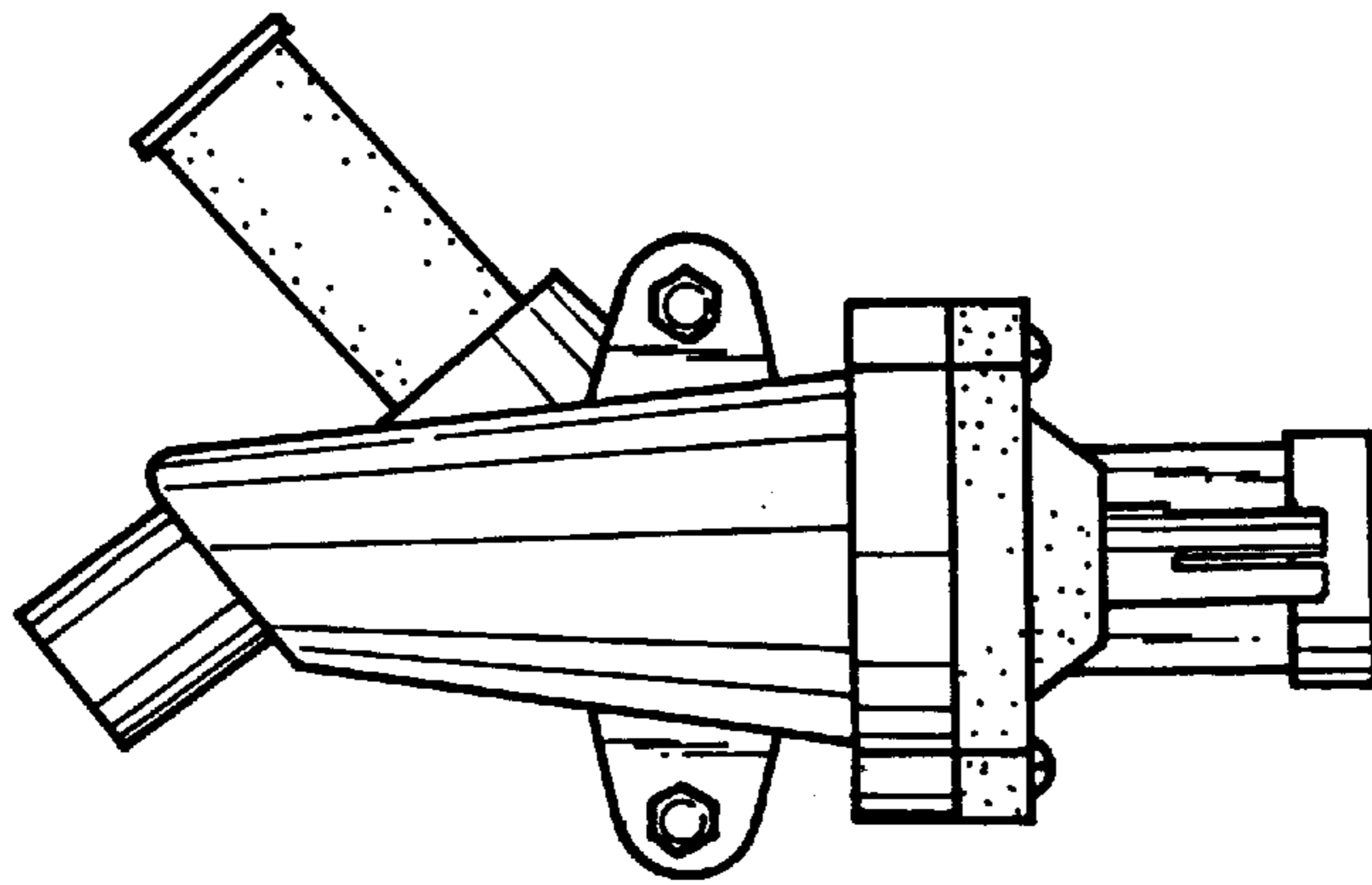


FIG. 5

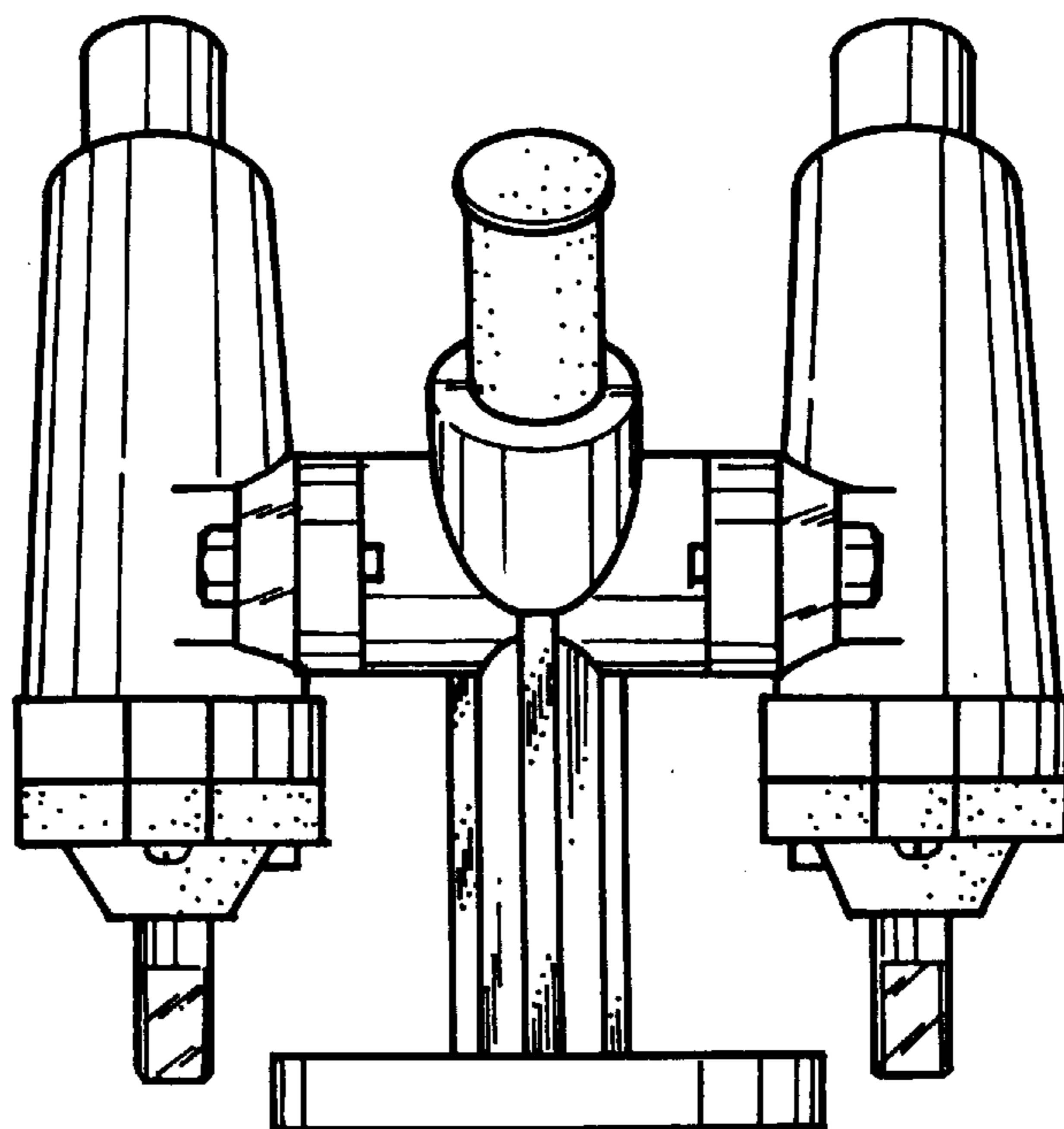


FIG. 6

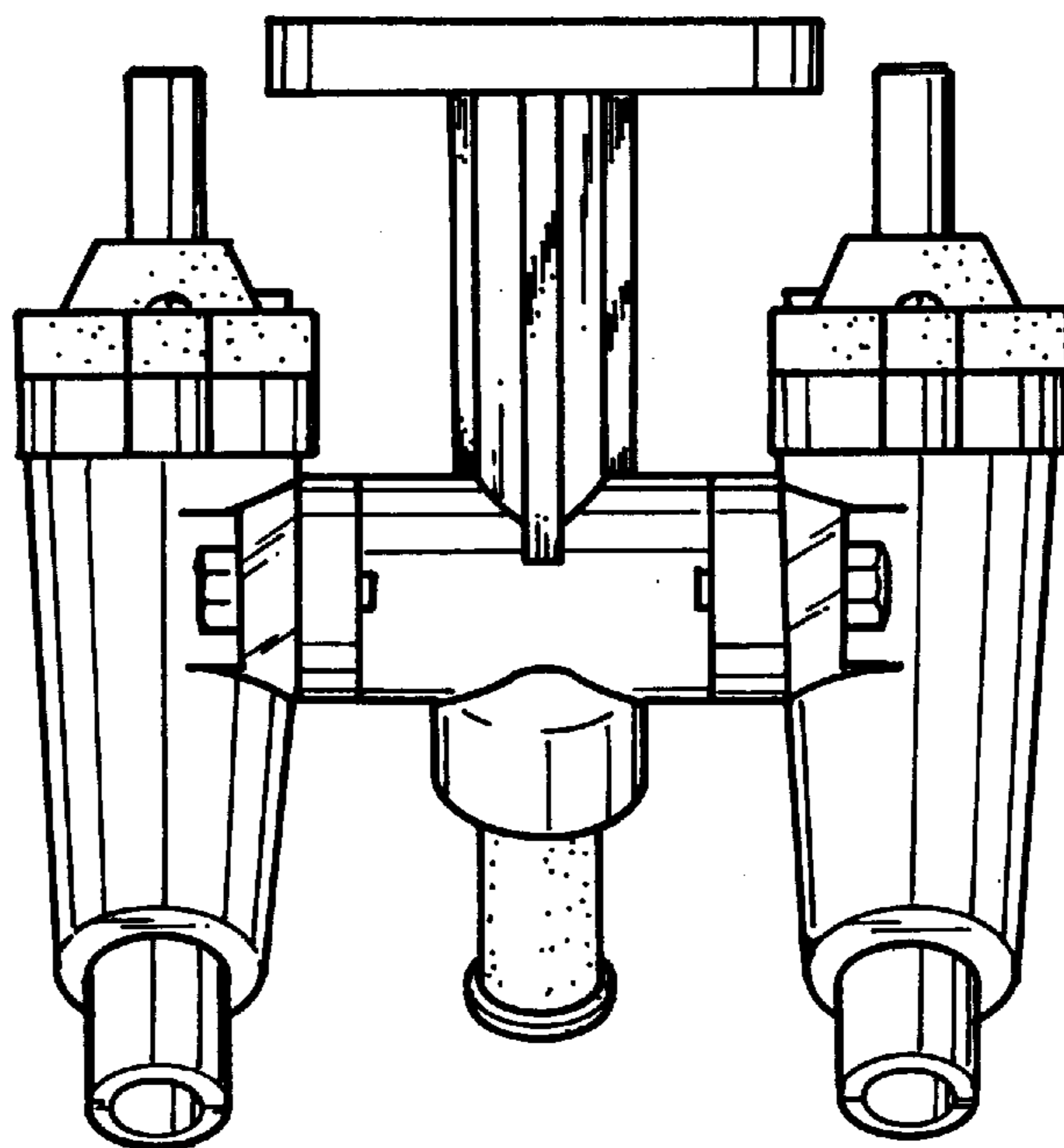


FIG. 7