



US00D406006S

United States Patent [19]

Hatsumoto et al.

[11] Patent Number: **Des. 406,006**

[45] Date of Patent: ****Feb. 23, 1999**

[54] LID FOR A CONTAINER

[75] Inventors: **Kunio Hatsumoto; Yasuhiro Kowa; Takeshi Kuwana**, all of Tokyo, Japan

[73] Assignee: **Nippon Sanso Corporation**, Tokyo, Japan

[**] Term: **14 Years**

[21] Appl. No.: **78,178**

[22] Filed: **Oct. 20, 1997**

[30] Foreign Application Priority Data

Apr. 21, 1997 [JP] Japan 9-52073

[51] LOC (6) Cl. **07-01**

[52] U.S. Cl. **D7/396.2; D7/392.1**

[58] Field of Search D7/622, 507, 509, D7/510, 511, 513, 515, 533, 536, 300.1, 619, 532, 392.1, 391, 396.2, 393; 220/703, 705, 717, 709, 713, 737, 739, 625; D9/434

[56] References Cited

U.S. PATENT DOCUMENTS

D. 177,575	5/1956	Louik	D7/533
D. 214,458	6/1969	Riley	D7/533
D. 216,219	12/1969	Jacobsen	D7/393
D. 363,665	10/1995	Goto et al.	D7/396.2 X
D. 364,071	11/1995	Lynd	D7/510
D. 370,384	6/1996	Shamis	D7/393
2,428,942	10/1947	Poglein	D7/393
4,099,642	7/1978	Nergard	.	
4,303,173	12/1981	Nergard	.	

FOREIGN PATENT DOCUMENTS

943714 9/1993 Japan .

Primary Examiner—M. N. Pandozzi

Attorney, Agent, or Firm—McDermott, Will & Emery

[57] CLAIM

We claim the ornamental design for the lid for a container, as shown and described.

DESCRIPTION

FIG. 1 is a perspective view of a lid for a container showing our new design;

FIG. 2 is a front elevational view thereof, the opposite side being a mirror image;

FIG. 3 is a top plan view thereof;

FIG. 4 is a bottom plan view thereof;

FIG. 5 is a right side elevational view thereof;

FIG. 6 is a left side elevational view thereof;

FIG. 7 is a cross-sectional view thereof, taken along line 7—7 of FIG. 3;

FIG. 8 is a cross-sectional view thereof, taken along line 8—8 of FIG. 2;

FIG. 9 is a cross-sectional view thereof, taken along line 9—9 of FIG. 2;

FIG. 10 is a cross-sectional view thereof, taken along line 10—10 of FIG. 2;

FIG. 11 is a cross-sectional view thereof, taken along line 11—11 of FIG. 2; and,

FIG. 12 is a cross-sectional view taken along line 7—7 of FIG. 3 except with the spout in open position.

1 Claim, 7 Drawing Sheets

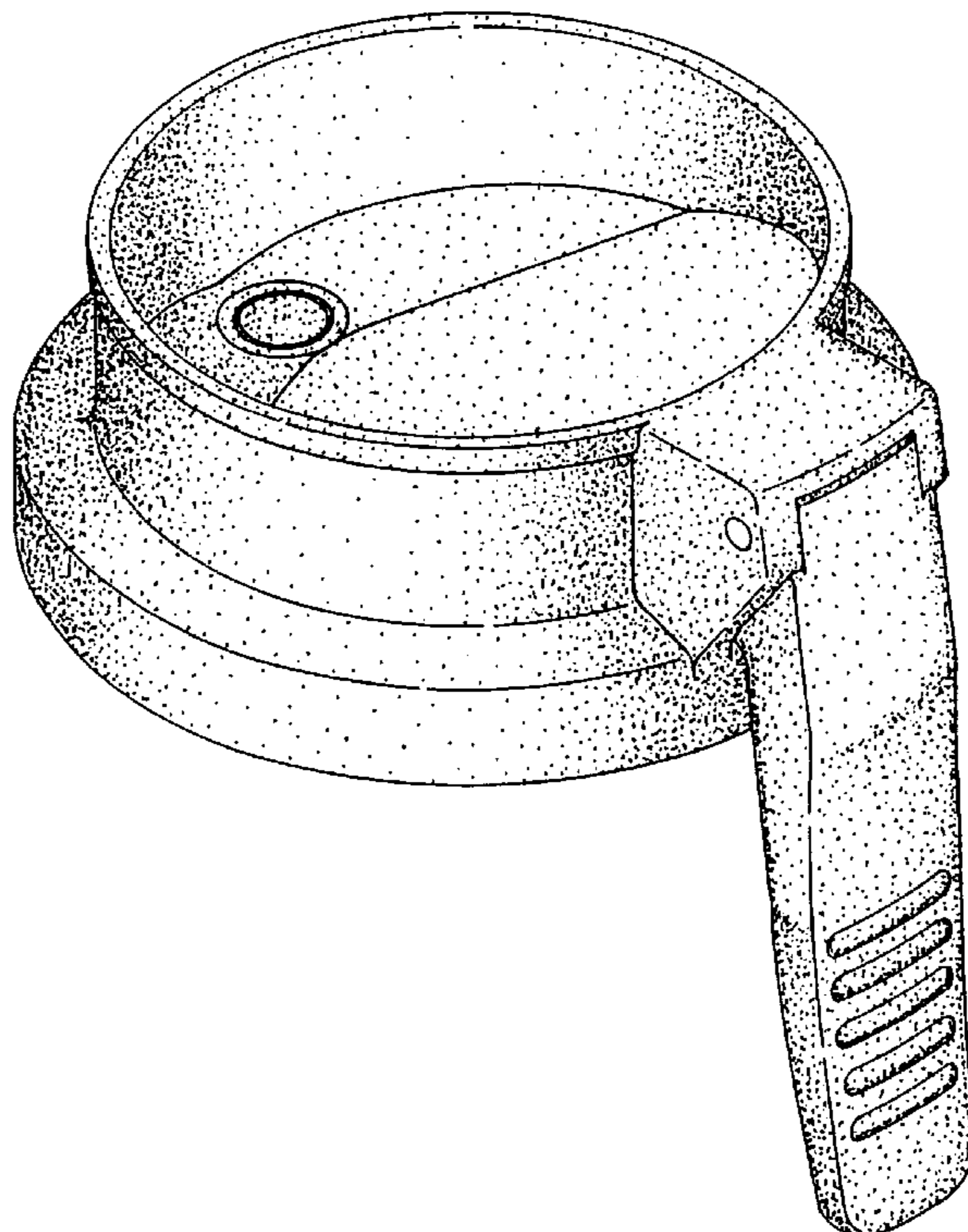


FIG. 1

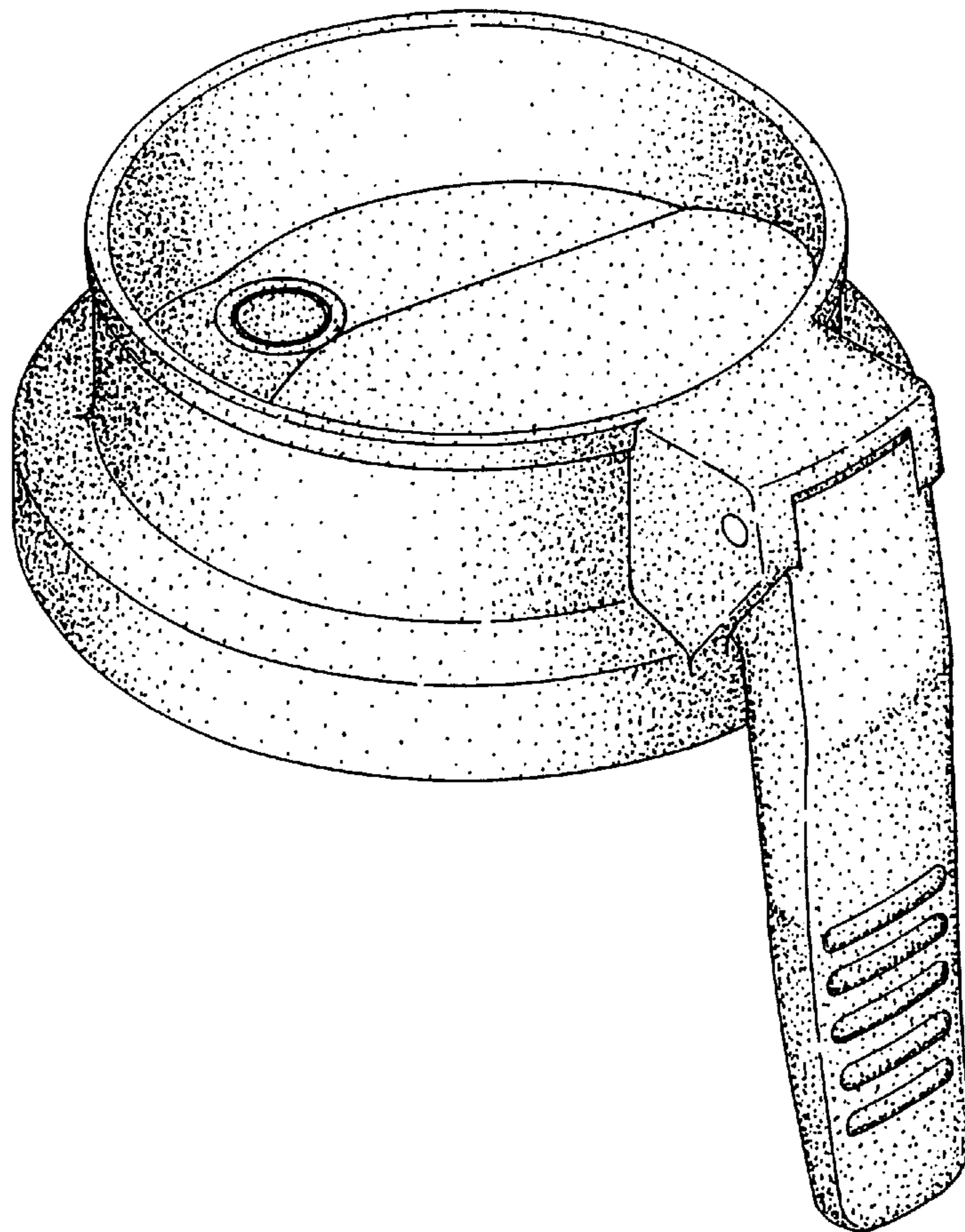


FIG. 2

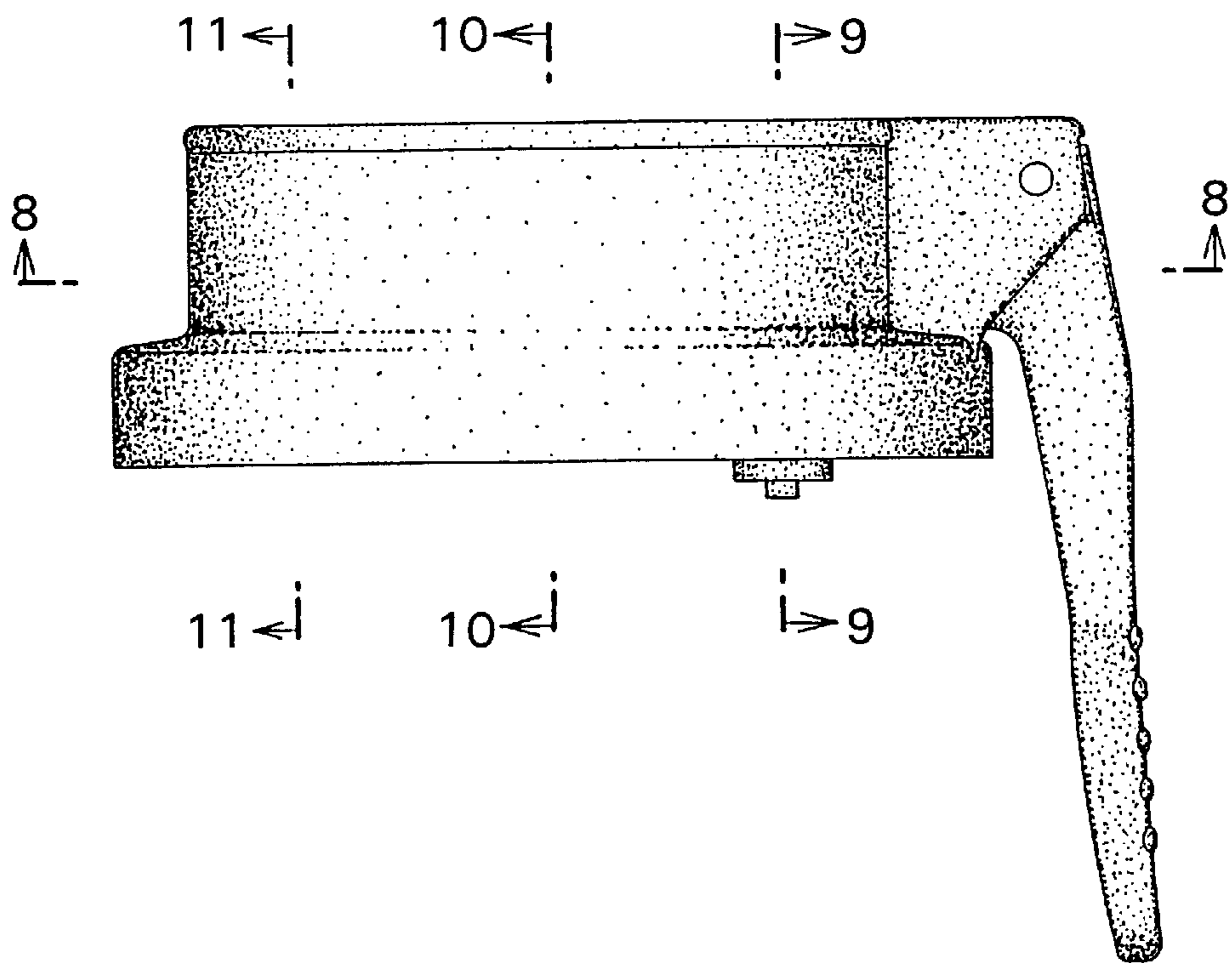


FIG. 3

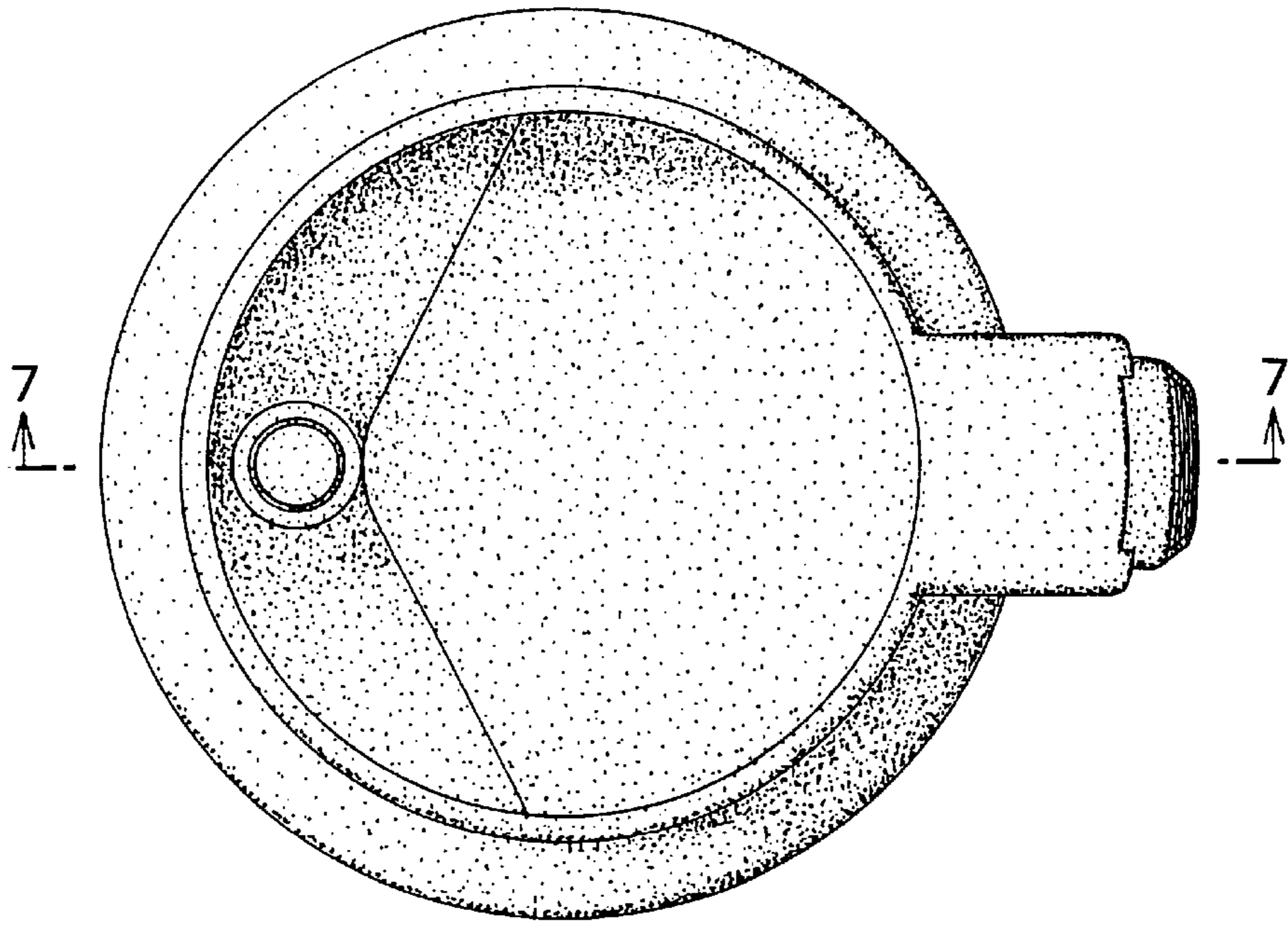


FIG. 4

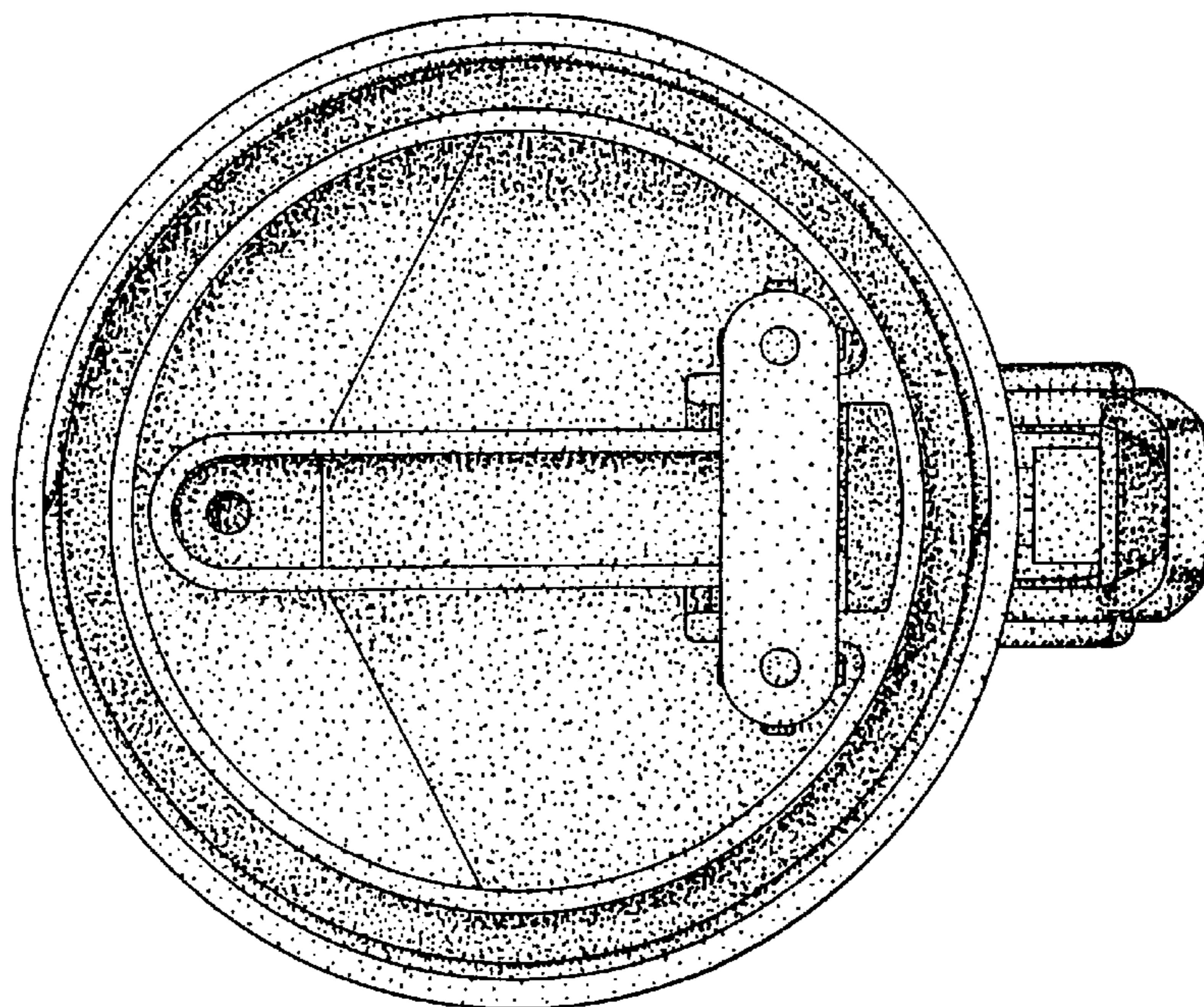


FIG.5

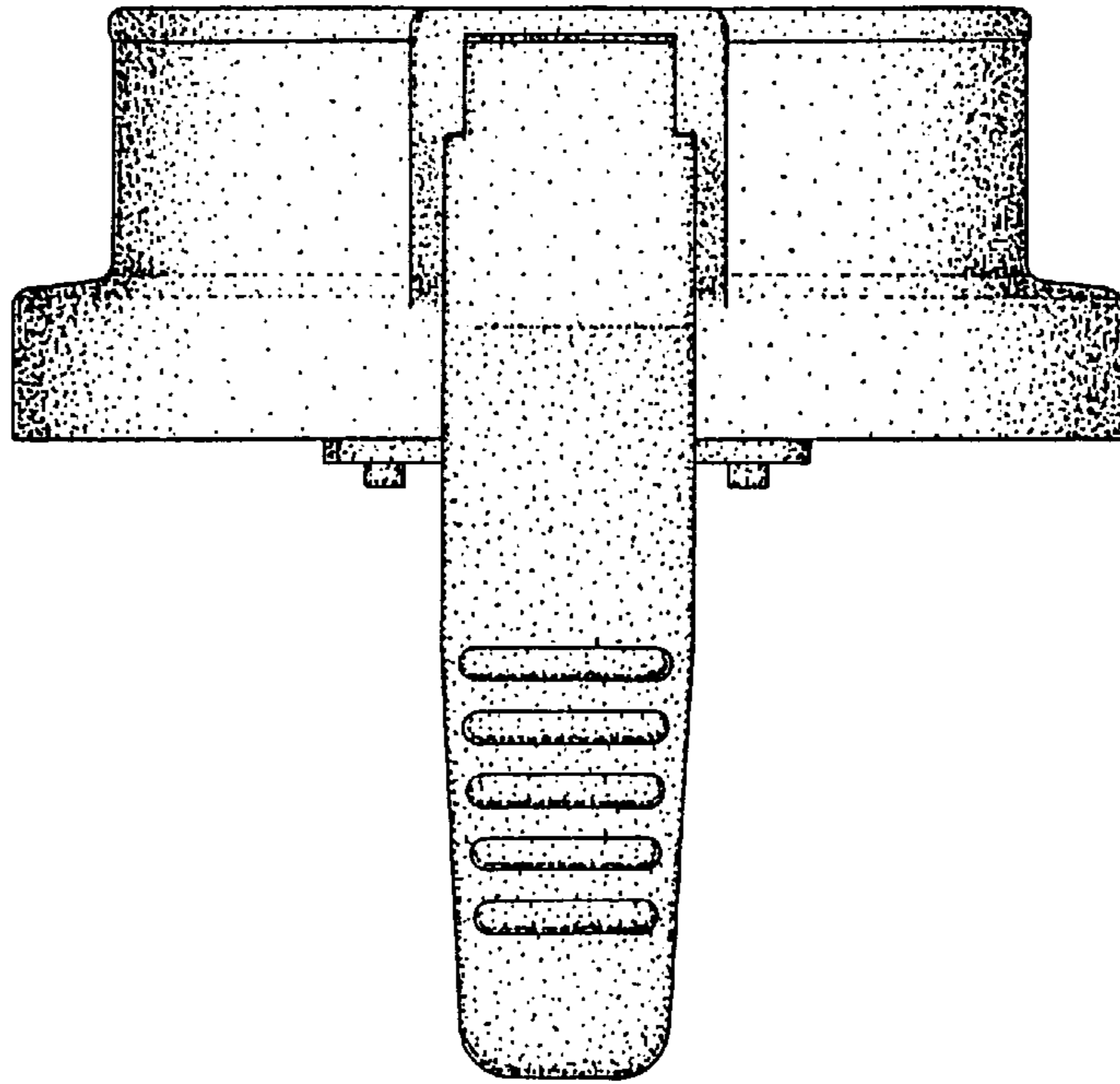


FIG.6

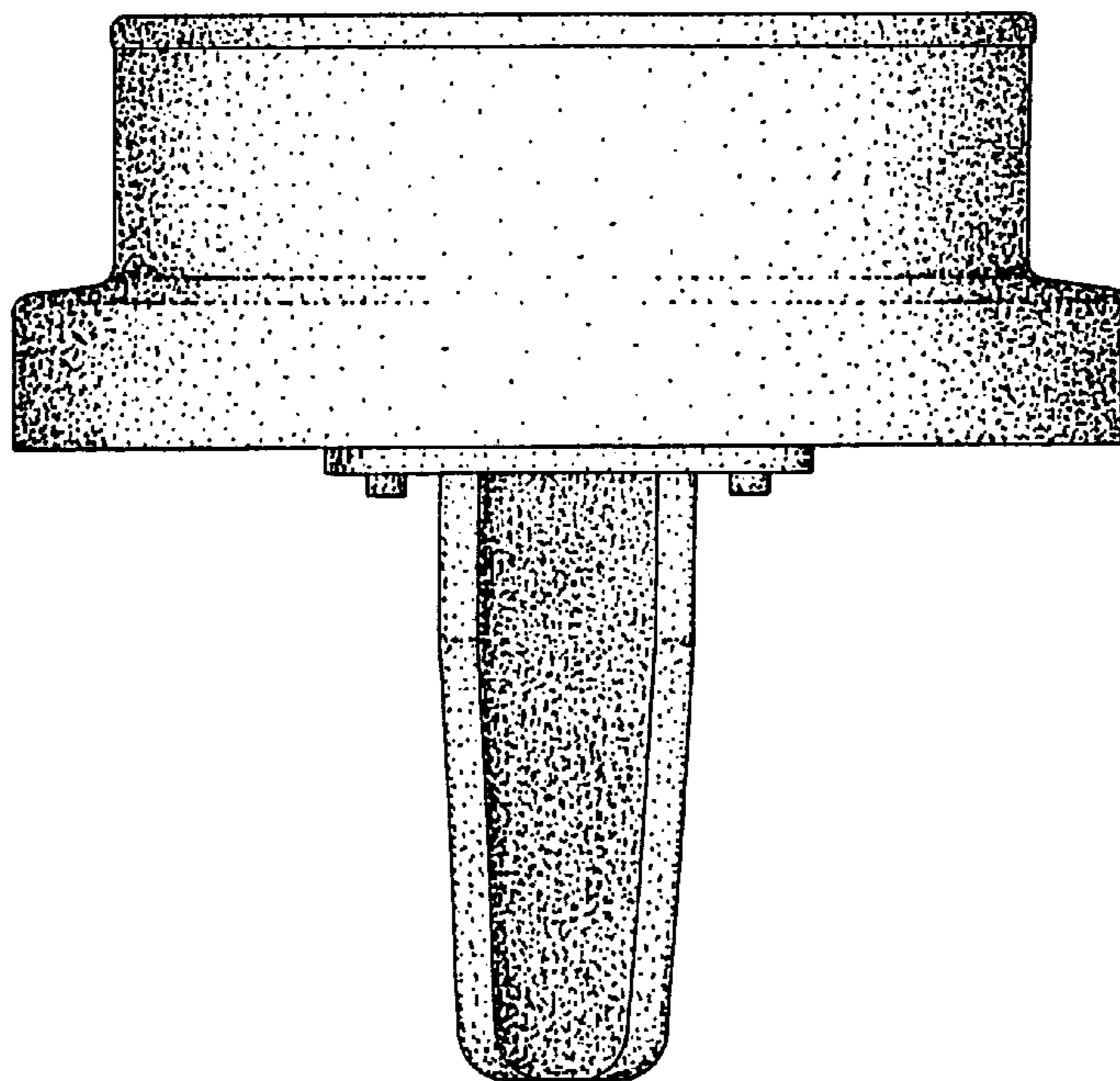


FIG. 7

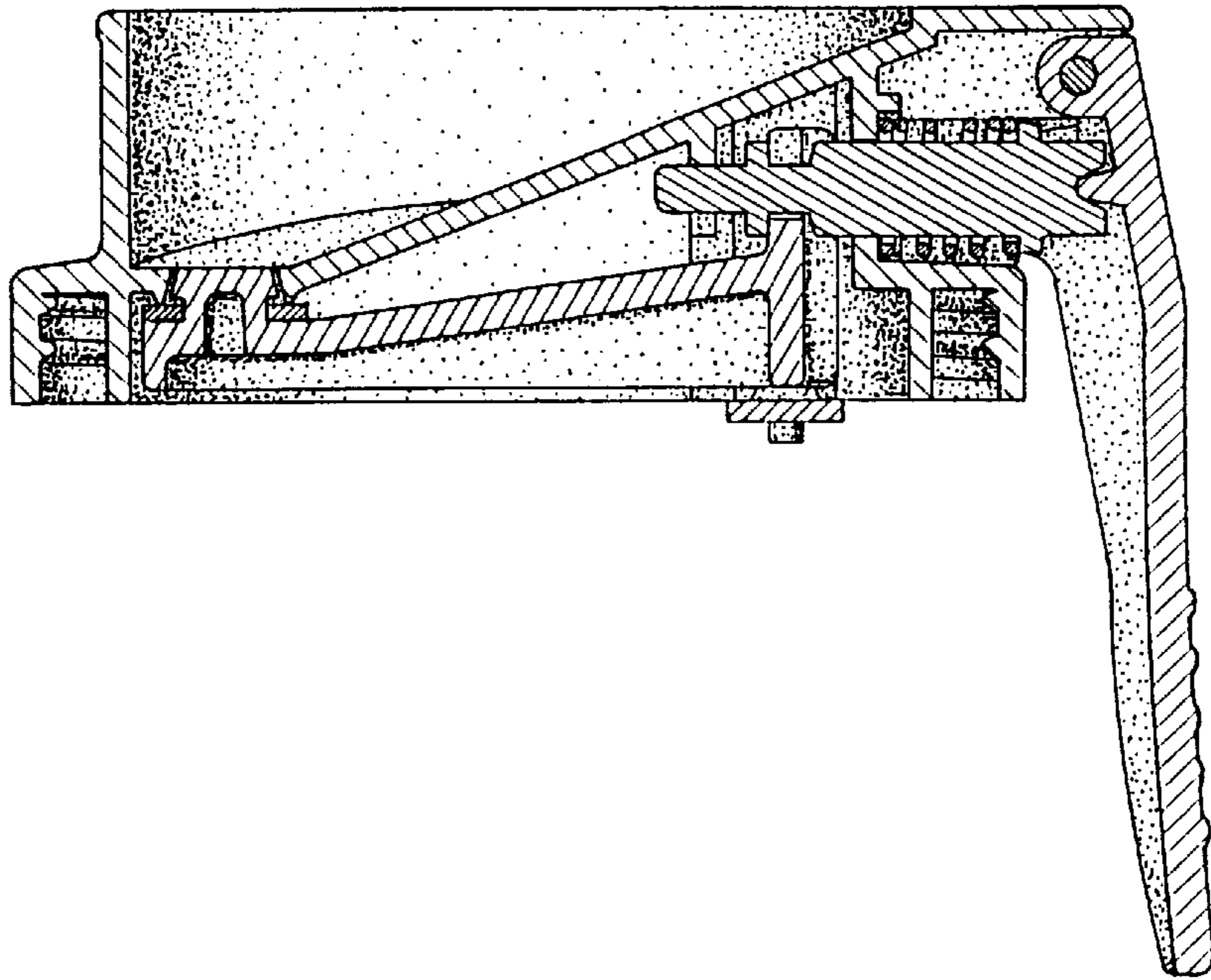


FIG. 8

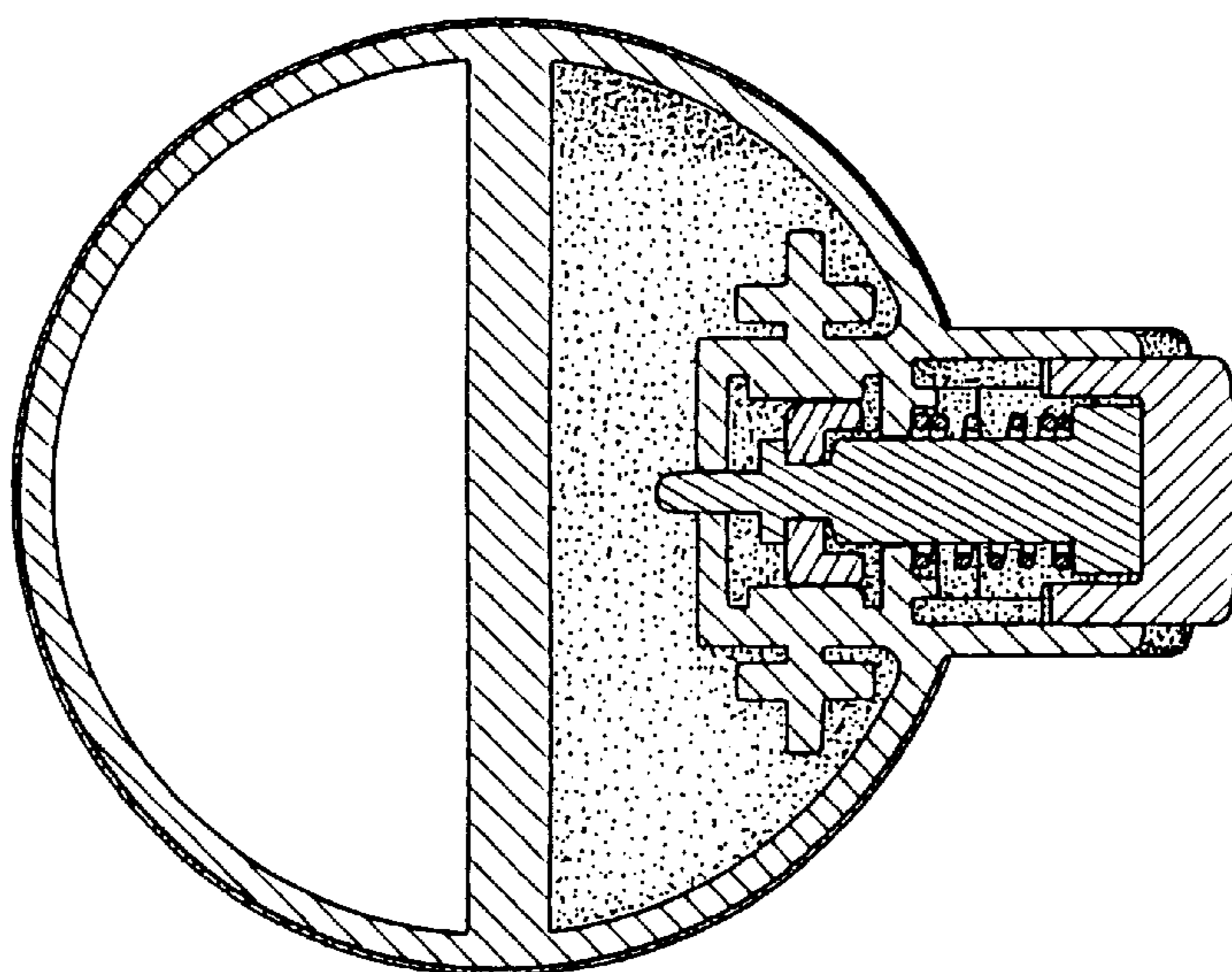


FIG. 9

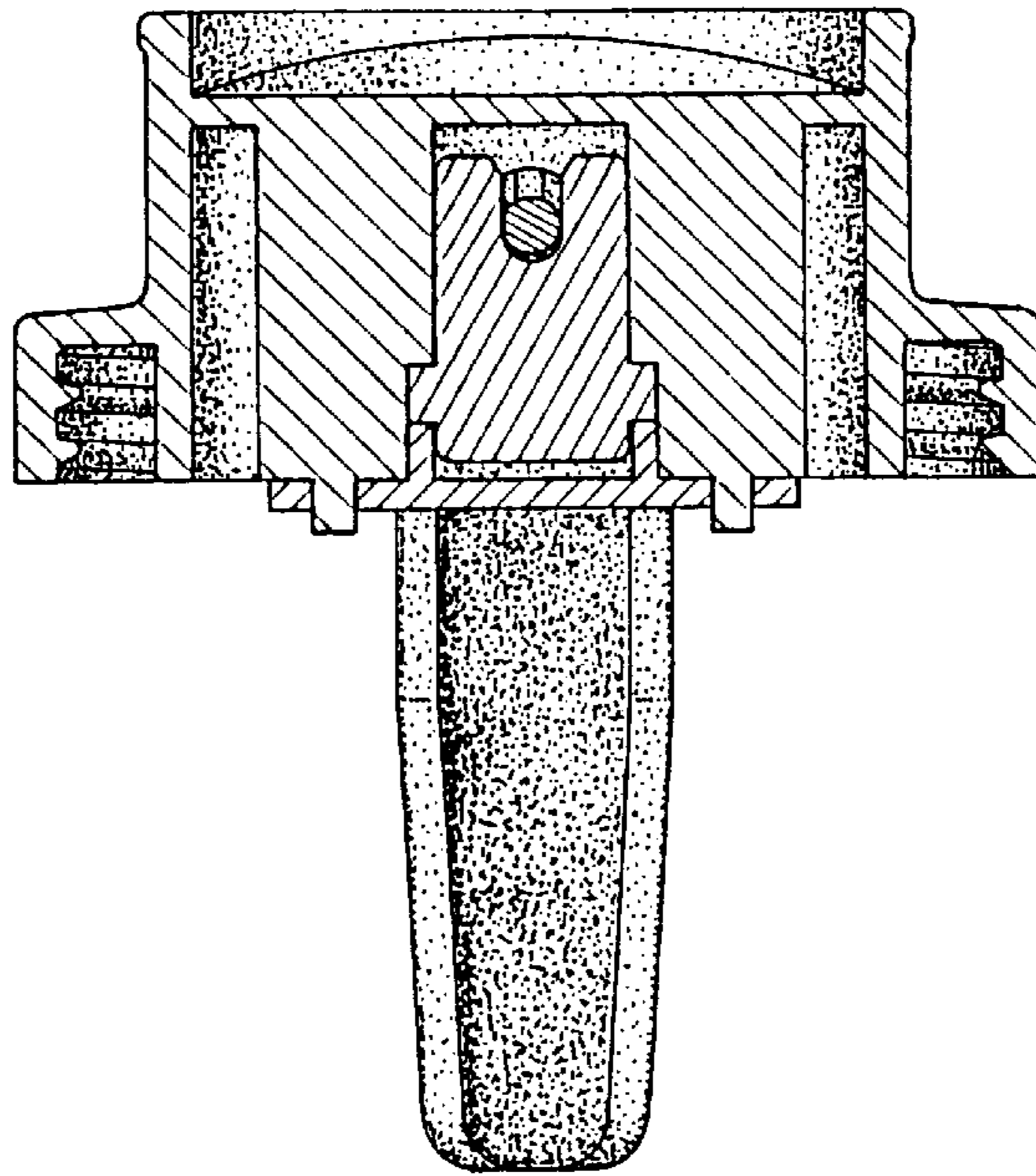


FIG. 10

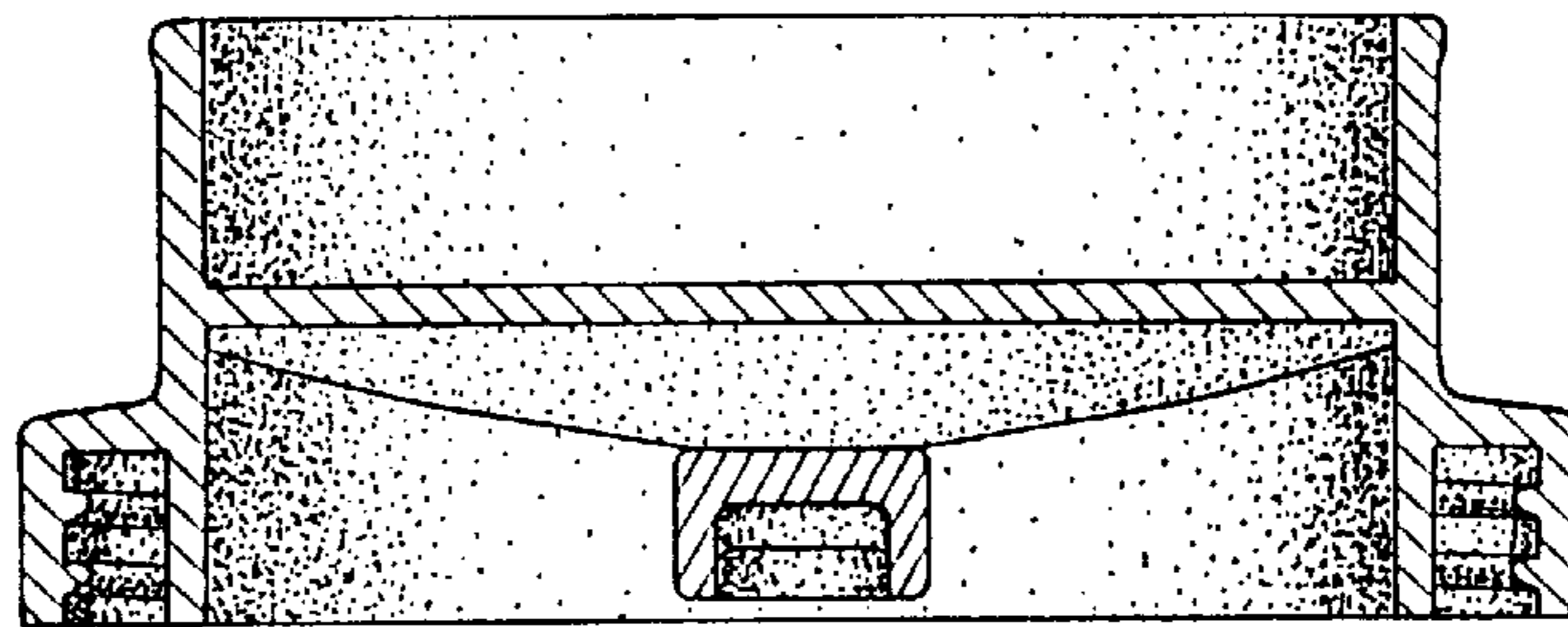


FIG. 11

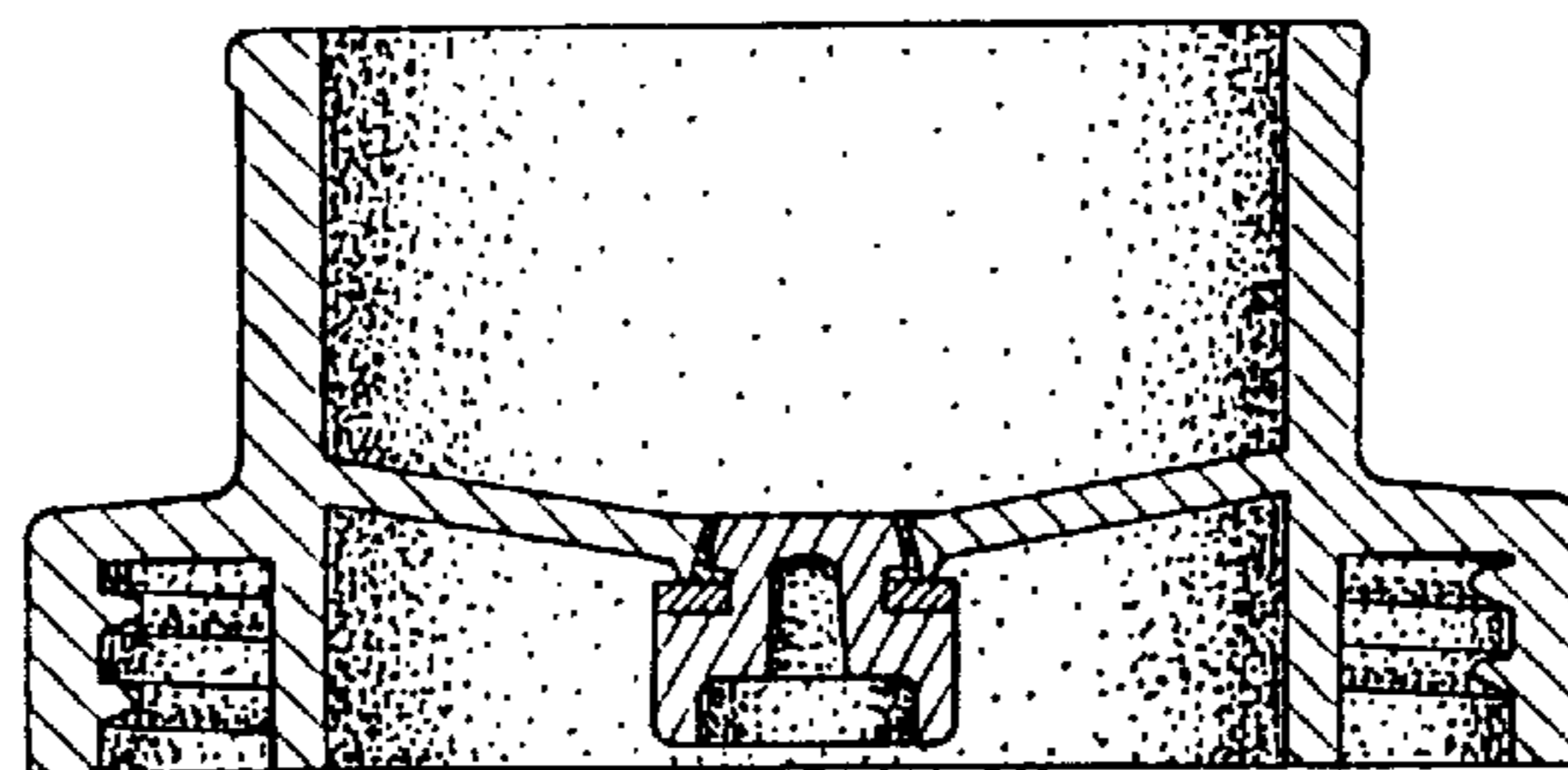


FIG.12

