



US00D406005S

United States Patent [19]

Wagner et al.

[11] **Patent Number: Des. 406,005**

[45] **Date of Patent: **Feb. 23, 1999**

[54] **POST-MOUNTED BARBECUE GRILL**

[75] Inventors: **Wesley J. Wagner**, Columbus; **Brian Coleman**, Midland, both of Ga.

[73] Assignee: **W. C. Bradley Co.**, Columbus, Ga.

[**] Term: **14 Years**

[21] Appl. No.: **75,257**

[22] Filed: **Aug. 7, 1997**

[51] **LOC (6) Cl.** **07-02**

[52] **U.S. Cl.** **D7/335**

[58] **Field of Search** D7/332-338, 402-404, D7/406, 409; 99/419, 421 R, 421 A, 421 HV, 421 HH, 421 TP, 421 V; 126/25 R, 25 A, 25 AA, 26, 9, 40, 41 R, 41 A, 41 B

[56] **References Cited**

U.S. PATENT DOCUMENTS

- D. 223,642 5/1972 Shaper et al. D7/335
- D. 243,309 2/1977 Reunanen D7/335

- D. 260,348 8/1981 Larson D7/335
- D. 262,178 12/1981 Barber D7/335
- D. 263,194 3/1982 Schwartz D7/335
- D. 359,877 7/1995 Koziol D7/332
- 4,683,867 8/1987 Beatty 126/41 R

Primary Examiner—Ruth McInroy
Attorney, Agent, or Firm—James W. Kayden, Esq.; Thomas, Kayden, Horstemeyer & Risley, LLP

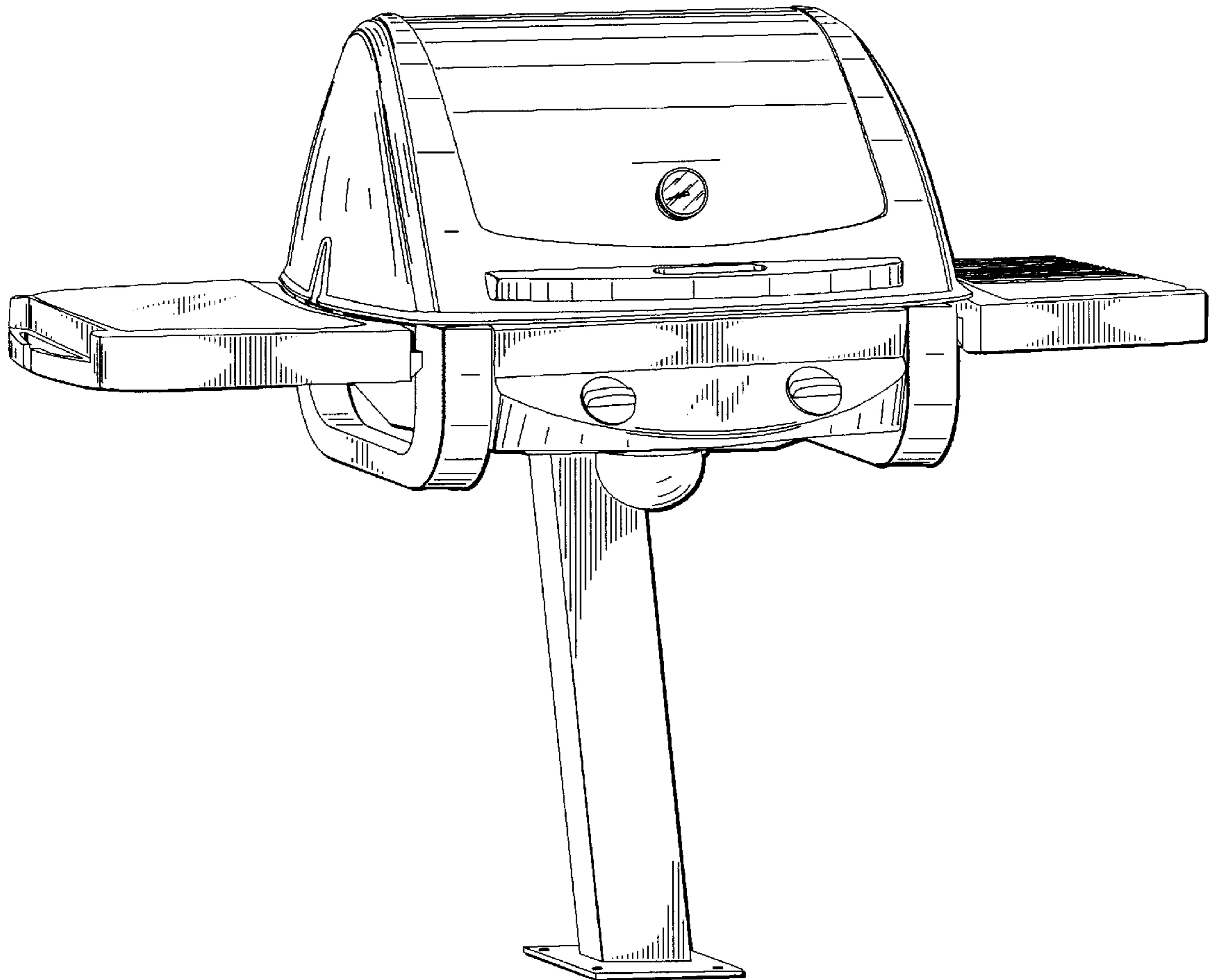
[57] **CLAIM**

The ornamental design entitled “post-mounted barbecue grill,” as shown and described.

DESCRIPTION

FIG. 1 is a perspective view of a post-mounted barbecue grill showing our new design; FIG. 2 is a right side elevational view thereof; FIG. 3 is a left side elevational view thereof; FIG. 4 is a front elevational view thereof; FIG. 5 is a rear elevational view thereof; FIG. 6 is a top plan view thereof; and, FIG. 7 is a bottom plan view thereof.

1 Claim, 6 Drawing Sheets



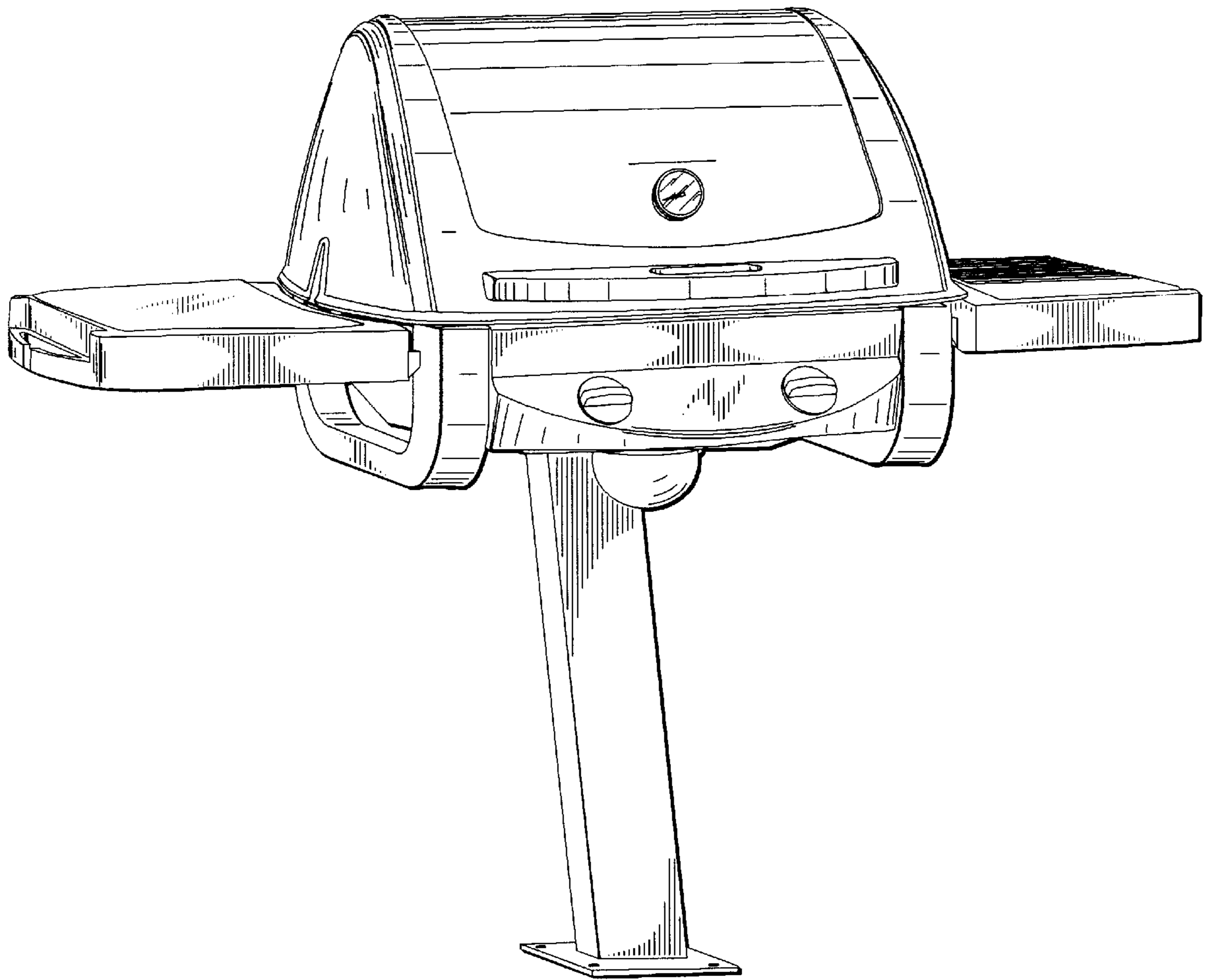


FIG. 1

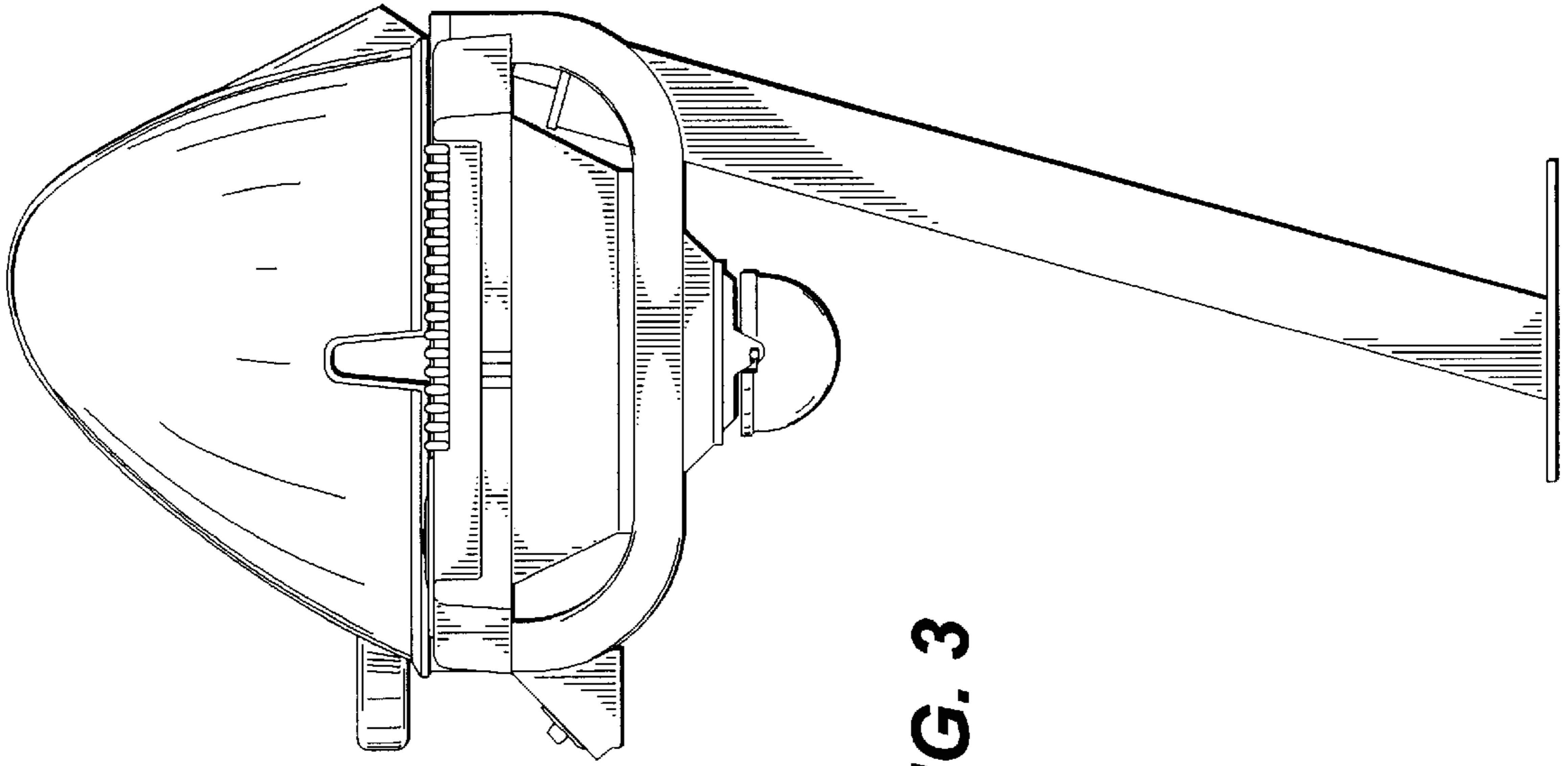


FIG. 3

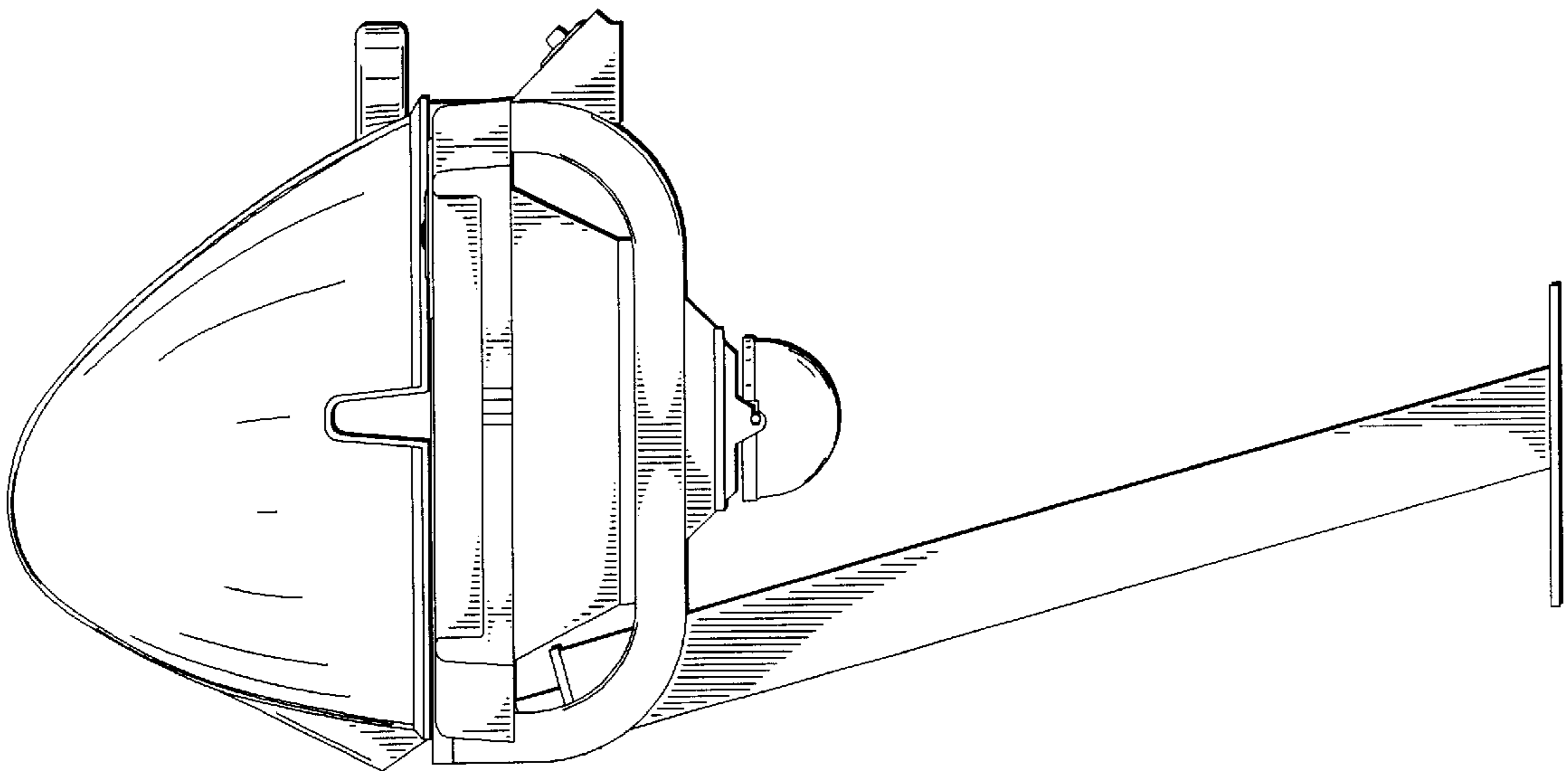


FIG. 2

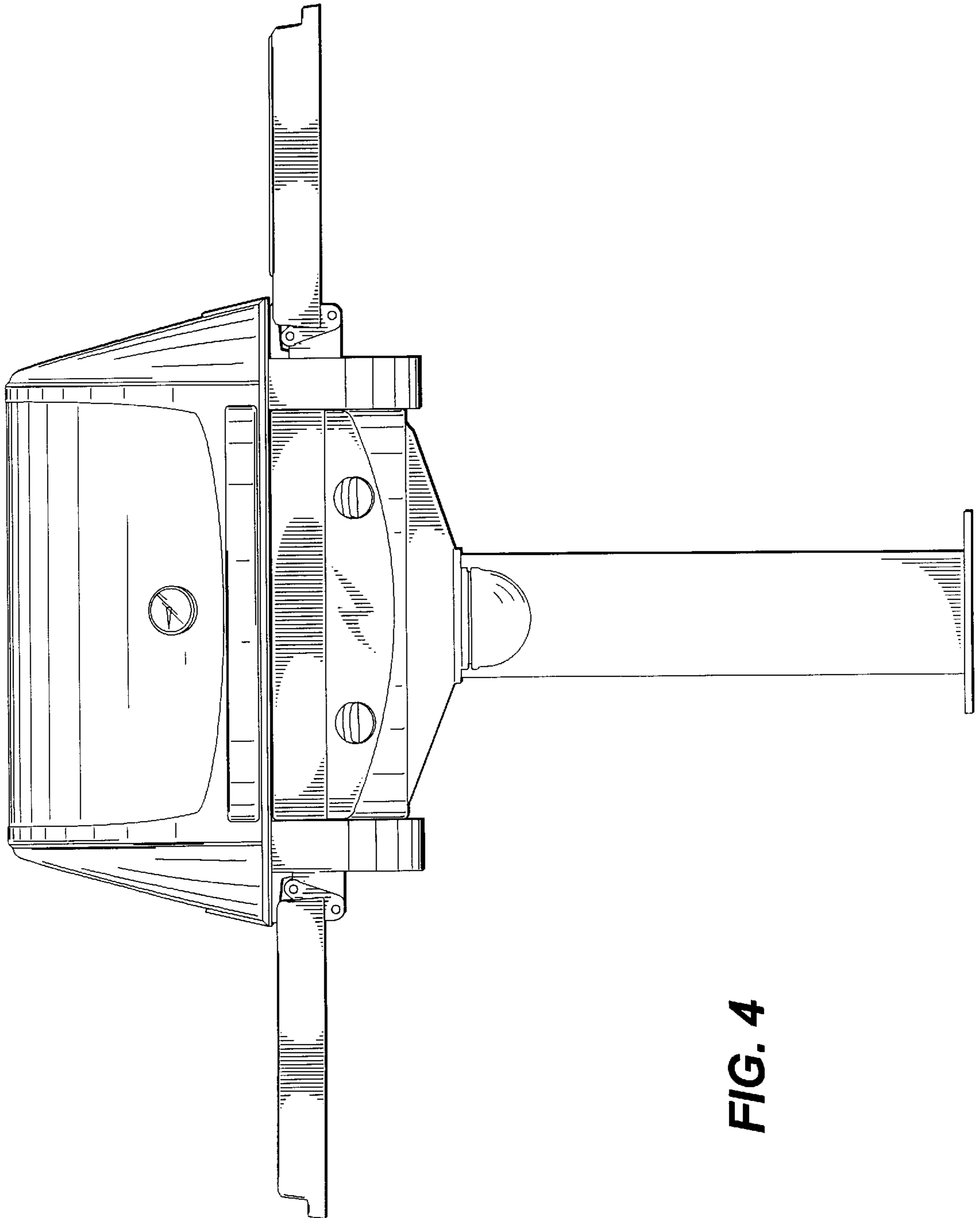


FIG. 4

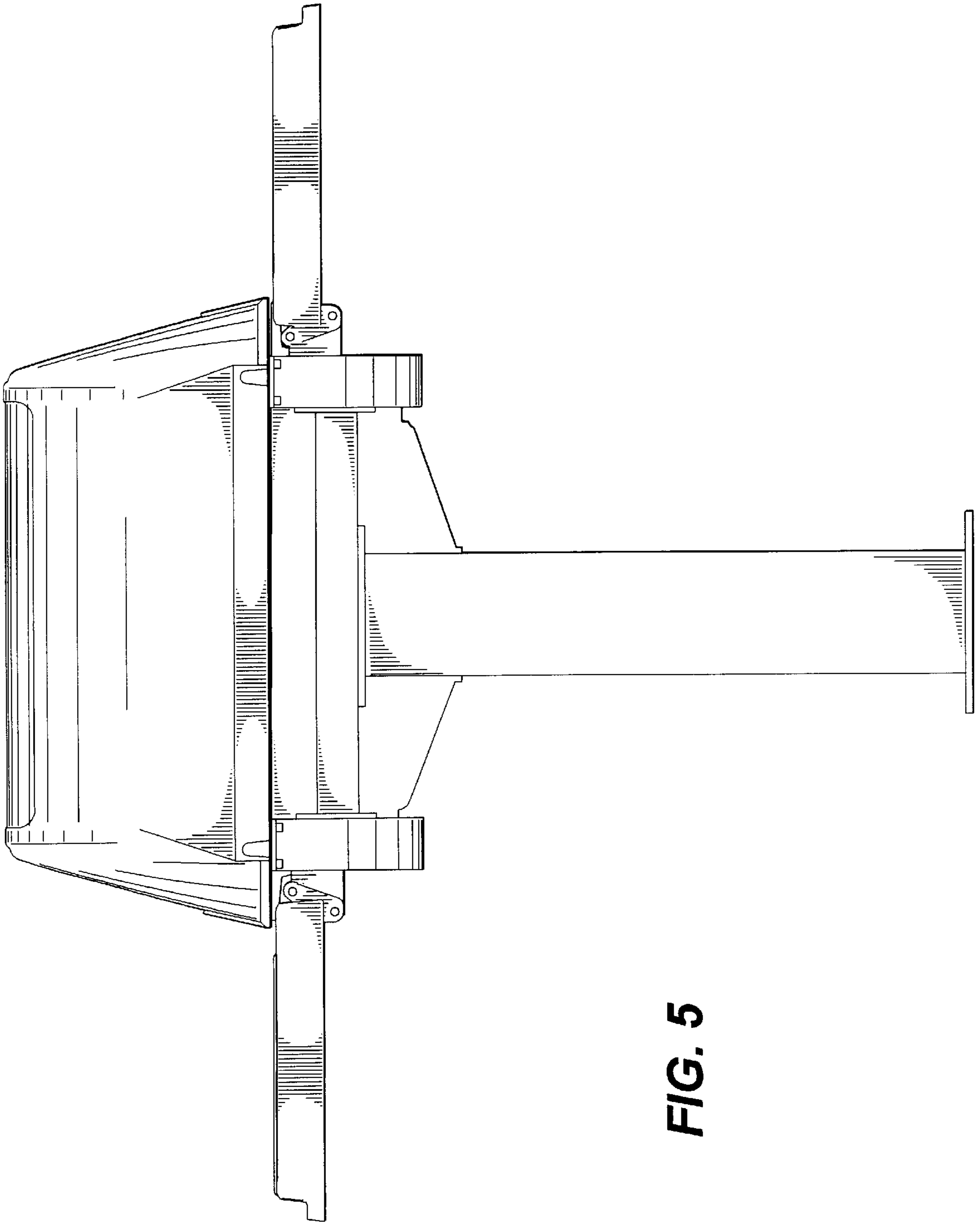


FIG. 5

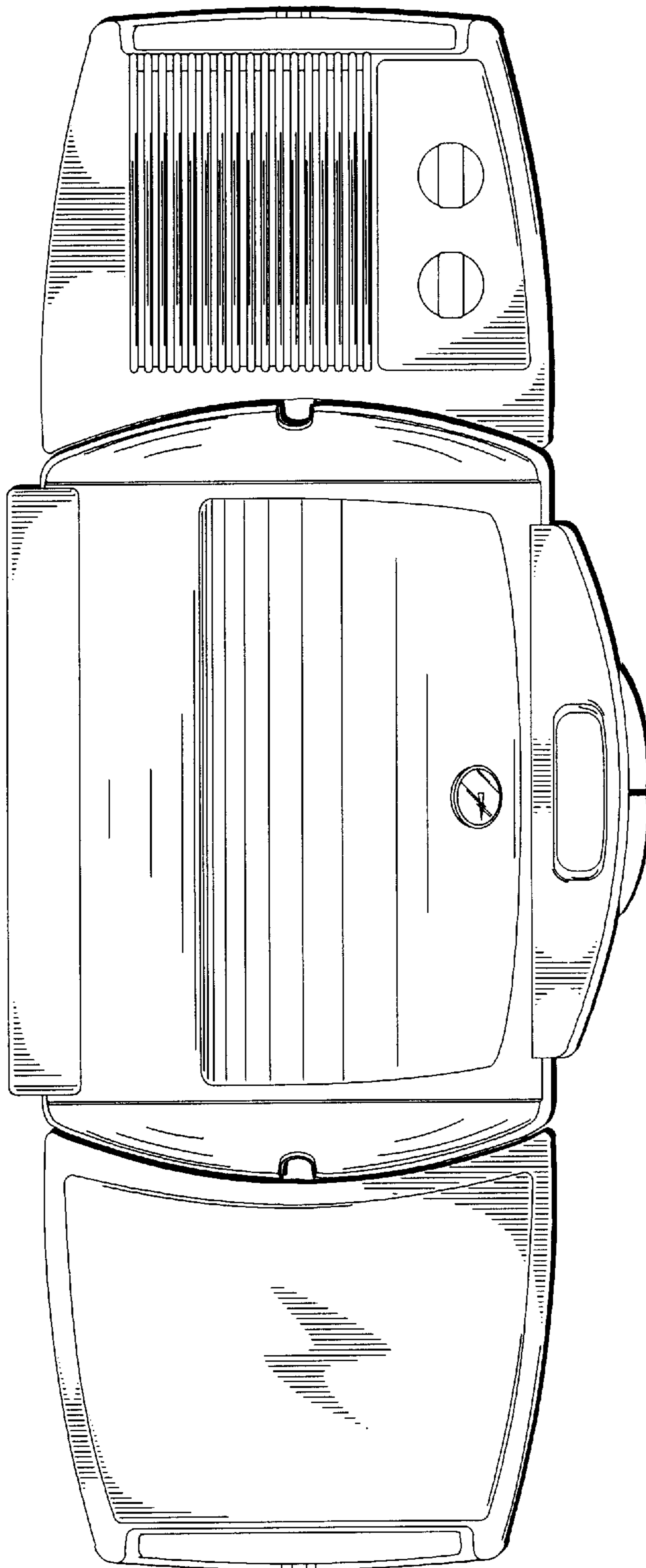


FIG. 6

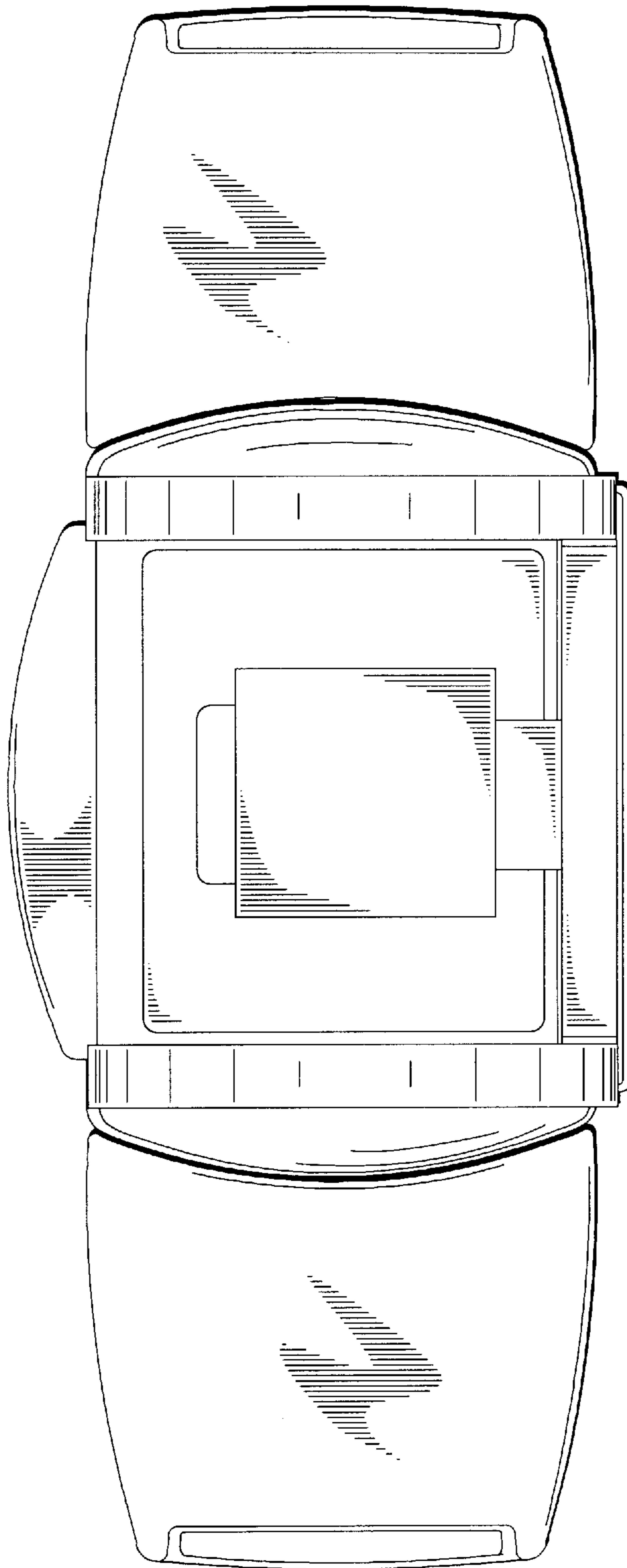


FIG. 7