

US00D406003S

United States Patent [19]

[11] **Patent Number: Des. 406,003**

Tanner et al.

[45] **Date of Patent: **Feb. 23, 1999**

[54] **WATER PURIFICATION PITCHER**

5,536,394 7/1996 Lund et al. .

[75] Inventors: **John D. Tanner; David J. Emmons**, both of Plymouth; **Eric J. Mueller; Paul D. Rothstein**, both of Minneapolis; **Alan L. Carlson**, St. Paul; **Shaohui Qiu**, Minneapolis, all of Minn.

OTHER PUBLICATIONS

Color Copies of Photos of Brita Water Filtration Pitcher (In public use prior to Arp. 30, 1996).
Color Copies of Photos of Brita Contour Water Filtration Pitcher (In public use prior to Apr. 30, 1996).
Color Copies of Photos of Brita Ultra II Water Filtration Pitcher (In public use prior to Apr. 30, 1996).
Color Copies of Photos of Brita Space Saver Water Filtration Pitcher (In public use prior to Apr. 30, 1996).
Color Copies of Photos of Solis Aquaselect Water Filtration Pitcher (In public use prior to Apr. 30, 1996).
Color Copies of Photos of Sears WaterWorks Water Filter Pitcher (In public use prior to Apr. 30, 1996).

[73] Assignee: **Recovery Engineering, Inc.**, Minneapolis, Minn.

[**] Term: **14 Years**

[21] Appl. No.: **79,113**

[22] Filed: **Nov. 10, 1997**

Primary Examiner—M. N. Pandozzi
Attorney, Agent, or Firm—Merchant, Gould, Smith, Edell, Welter & Schmidt, P.A.

Related U.S. Application Data

[62] Division of Ser. No. 53,756, Apr. 30, 1996, Pat. No. Des. 386,041.

[51] **LOC (6) Cl.** **07-01**

[52] **U.S. Cl.** **D7/319; D7/316**

[58] **Field of Search** D7/300, 312, 316, D7/317, 318, 319, 321, 322, 305, 326; 220/475, 756; 222/472, 465.1

[57] CLAIM

The ornamental design for a water purification pitcher, as shown and described.

DESCRIPTION

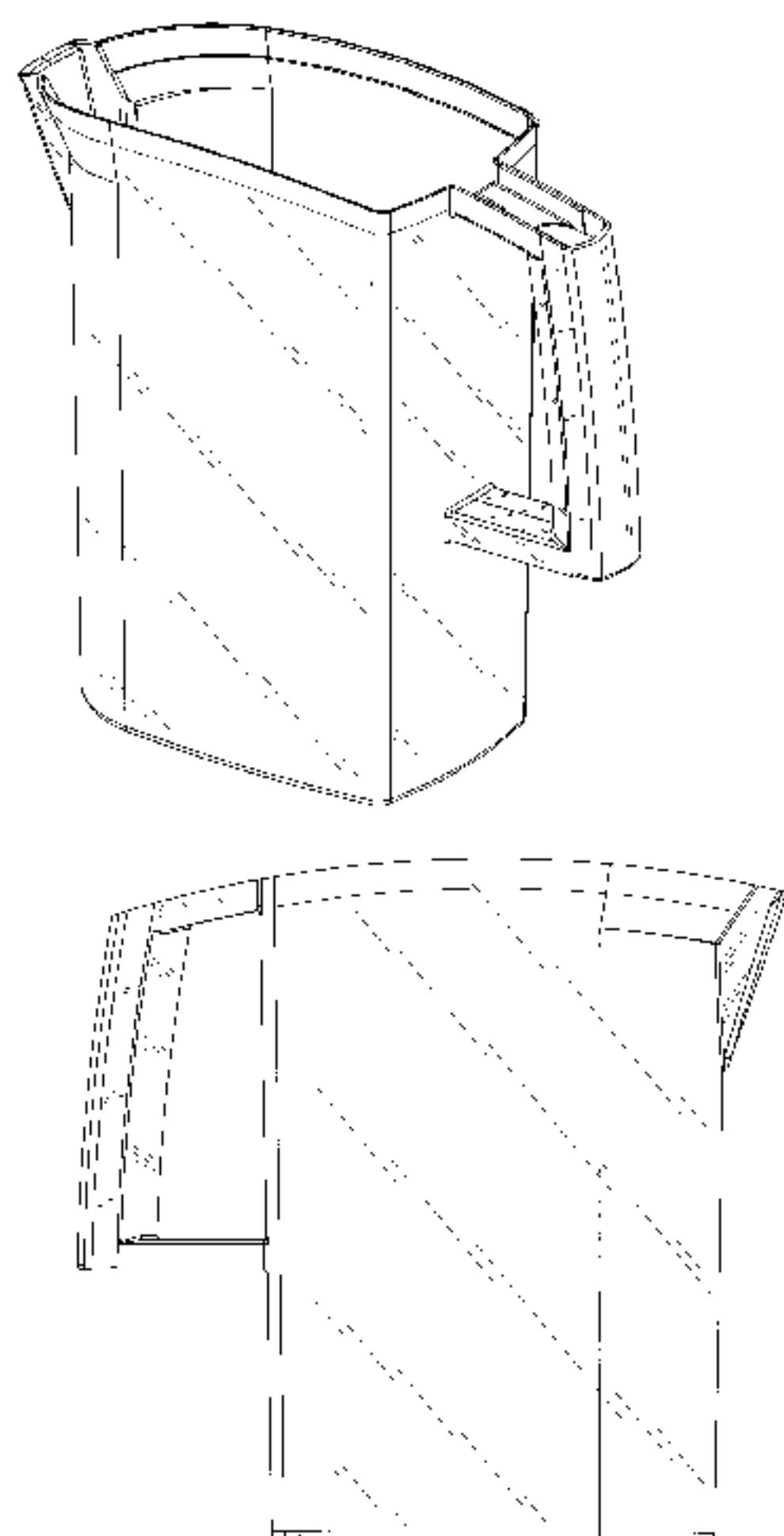
FIG. 1 is a top perspective view of a water purification pitcher showing our new design;
FIG. 2 is a side view thereof, the opposite side of that shown being a mirror image;
FIG. 3 is a top view thereof;
FIG. 4 is a bottom view thereof;
FIG. 5 is a front view thereof;
FIG. 6 is a back view thereof;
FIG. 7 is a perspective view of our new design for a water purification pitcher;
FIG. 8 is a side view thereof, the opposite side of that shown being a mirror image;
FIG. 9 is a top view thereof;
FIG. 10 is a bottom view thereof;
FIG. 11 is a front view thereof; and,
FIG. 12 is a back view thereof.
The broken line showing of a pour tray, filter, and cover in FIGS. 1–6 are for illustrative purposes only and forms no part of the claimed design.

[56] References Cited

U.S. PATENT DOCUMENTS

D. 287,325	12/1986	Schmidt	D7/318
D. 331,446	12/1992	Gidman	.	
D. 335,608	5/1993	Arnold	.	
D. 336,760	6/1993	Raunkjaer	.	
D. 337,690	7/1993	Bunn et al.	D7/317
D. 360,334	7/1995	Garza, Jr.	.	
D. 388,655	1/1998	Flom et al.	D7/319
2,805,561	9/1957	Emmert et al.	.	
3,512,686	5/1970	Penniman	222/472
3,861,565	1/1975	Rickmeier, Jr.	.	
4,623,457	11/1986	Hankammer	.	
4,653,671	3/1987	Duffy et al.	.	
4,655,373	4/1987	Essen	222/465.1
4,895,648	1/1990	Hankammer	.	
4,969,996	11/1990	Hankammer	.	
5,009,364	4/1991	Bolte	.	
5,190,643	3/1993	Duncan et al.	.	

1 Claim, 12 Drawing Sheets



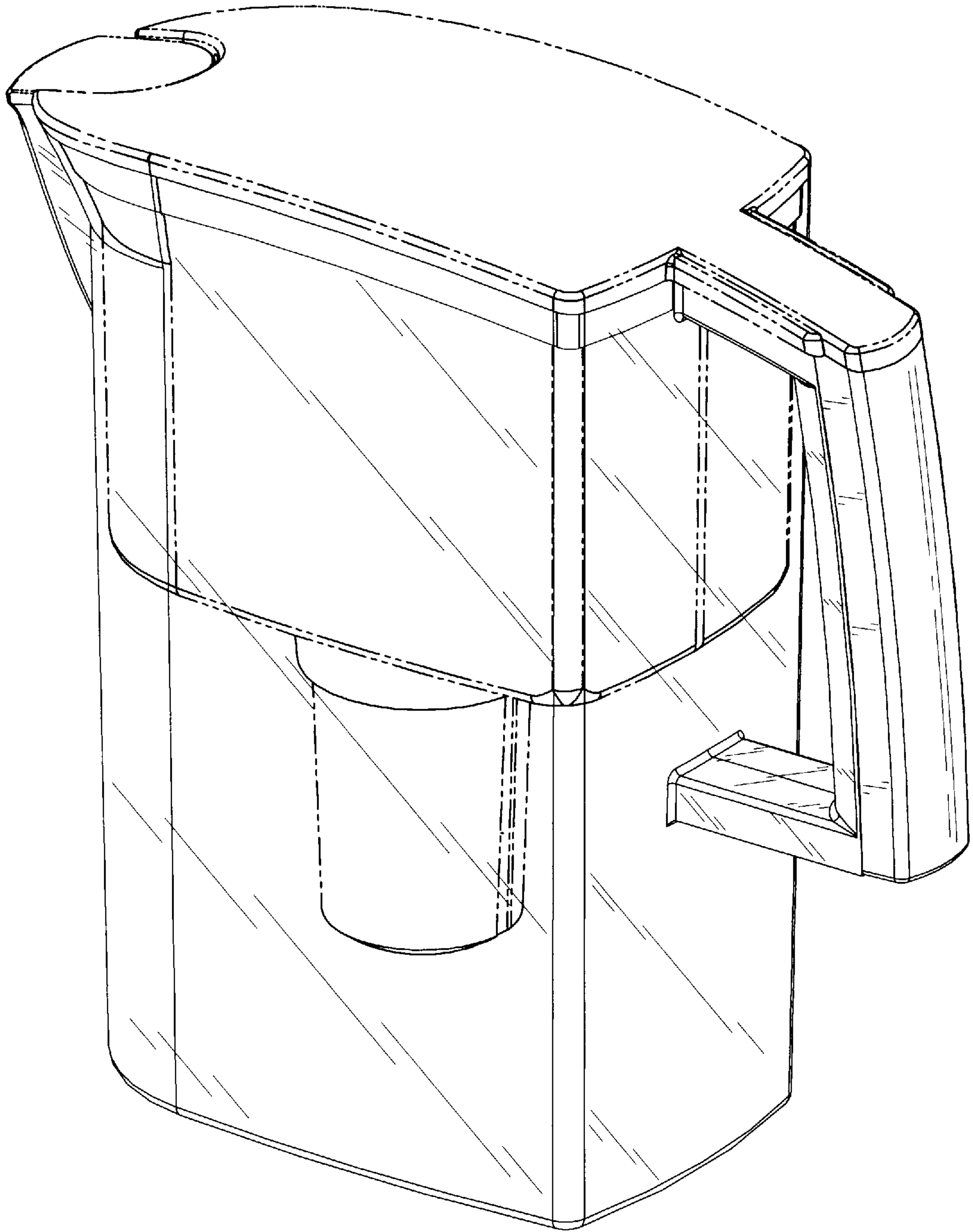


FIG. 1

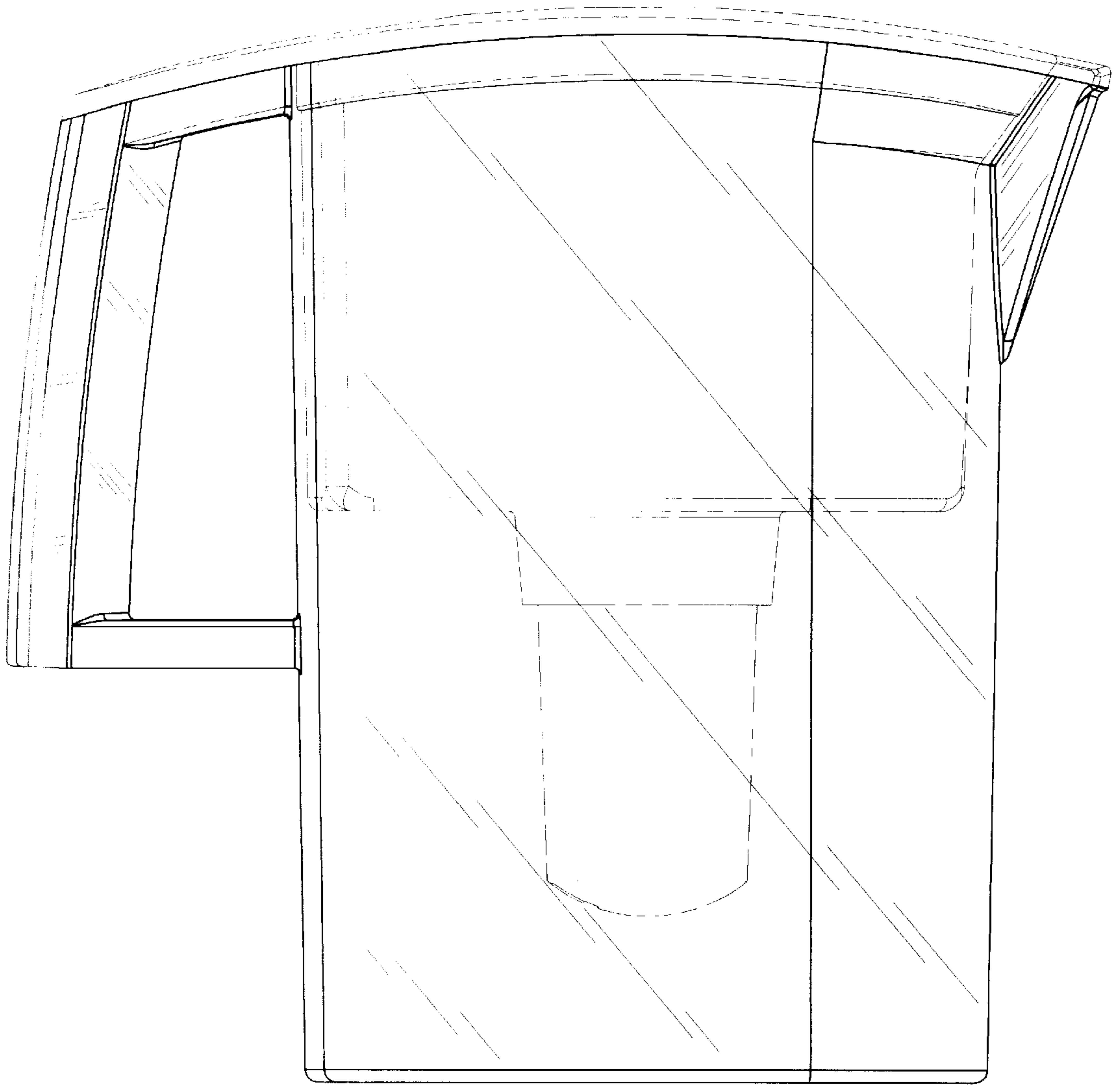


FIG. 2

FIG. 3

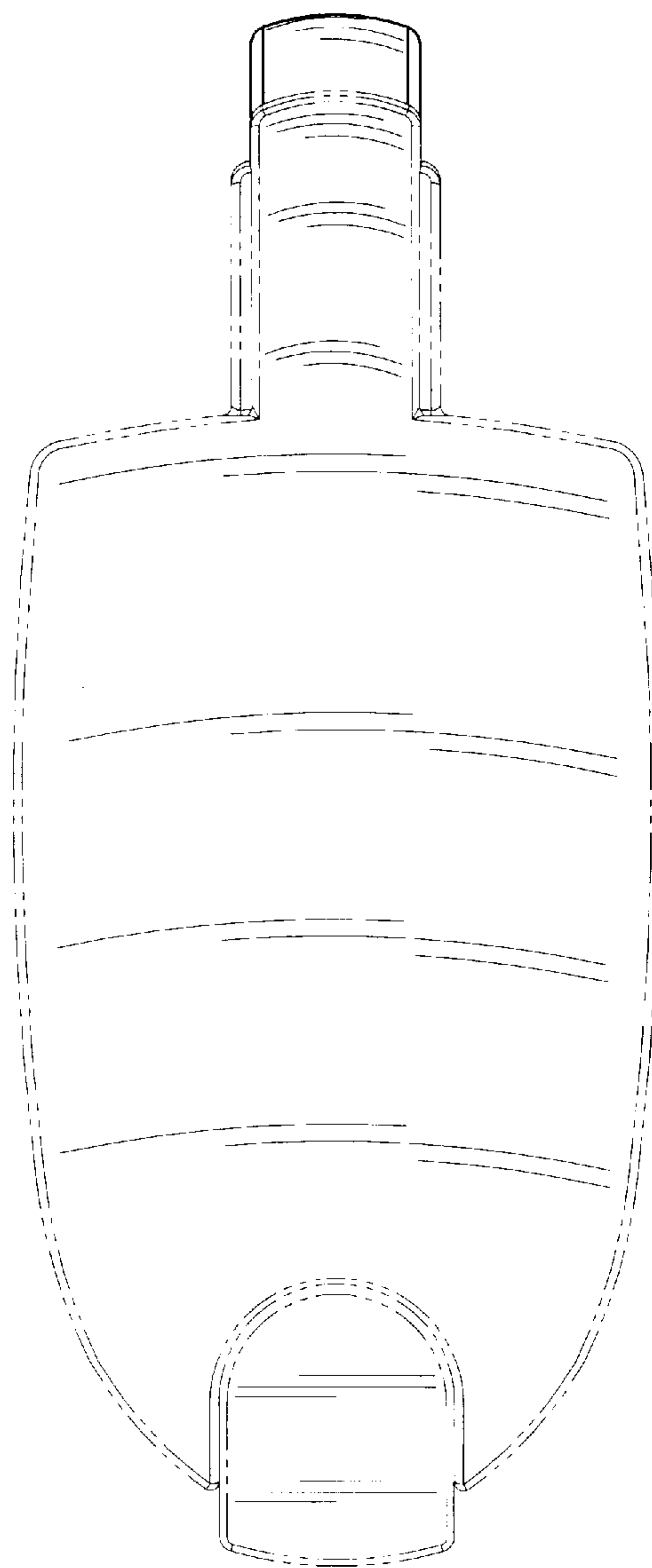
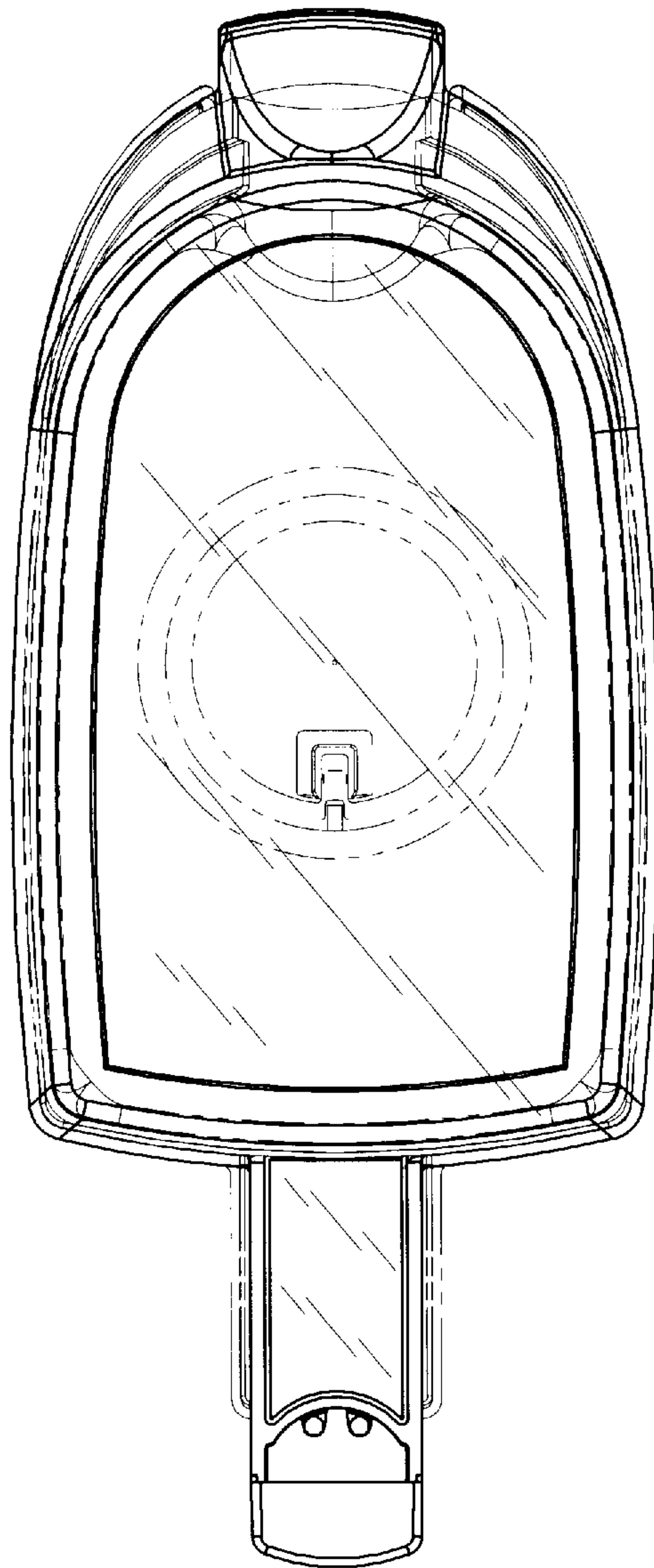


FIG. 4



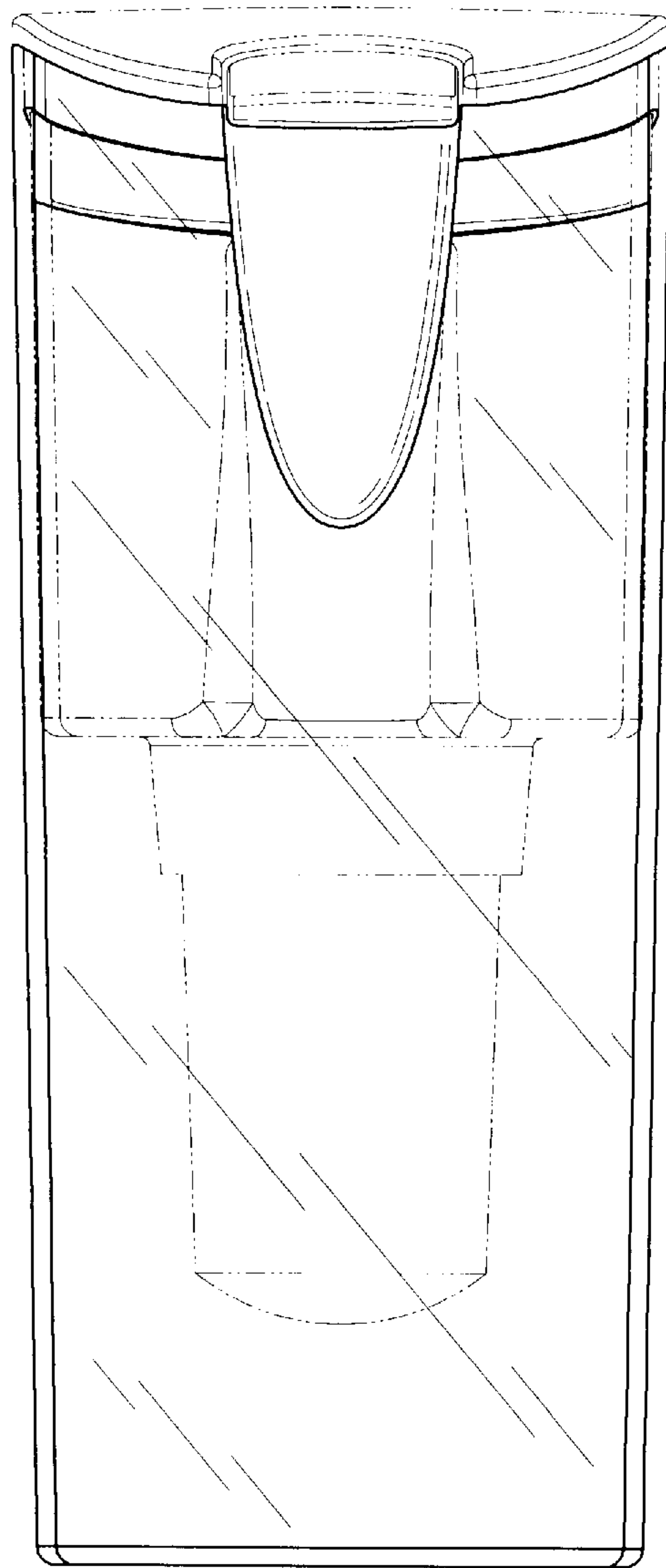


FIG. 5

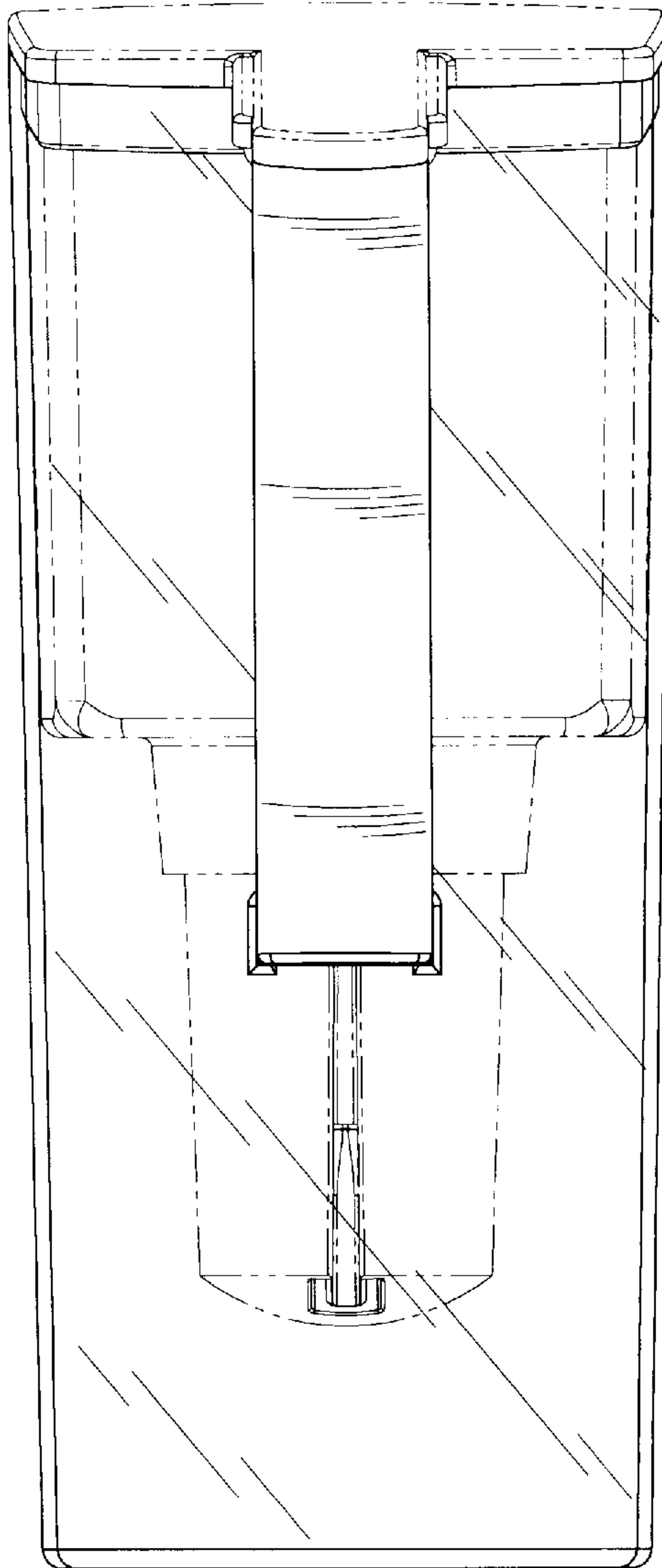


FIG. 6

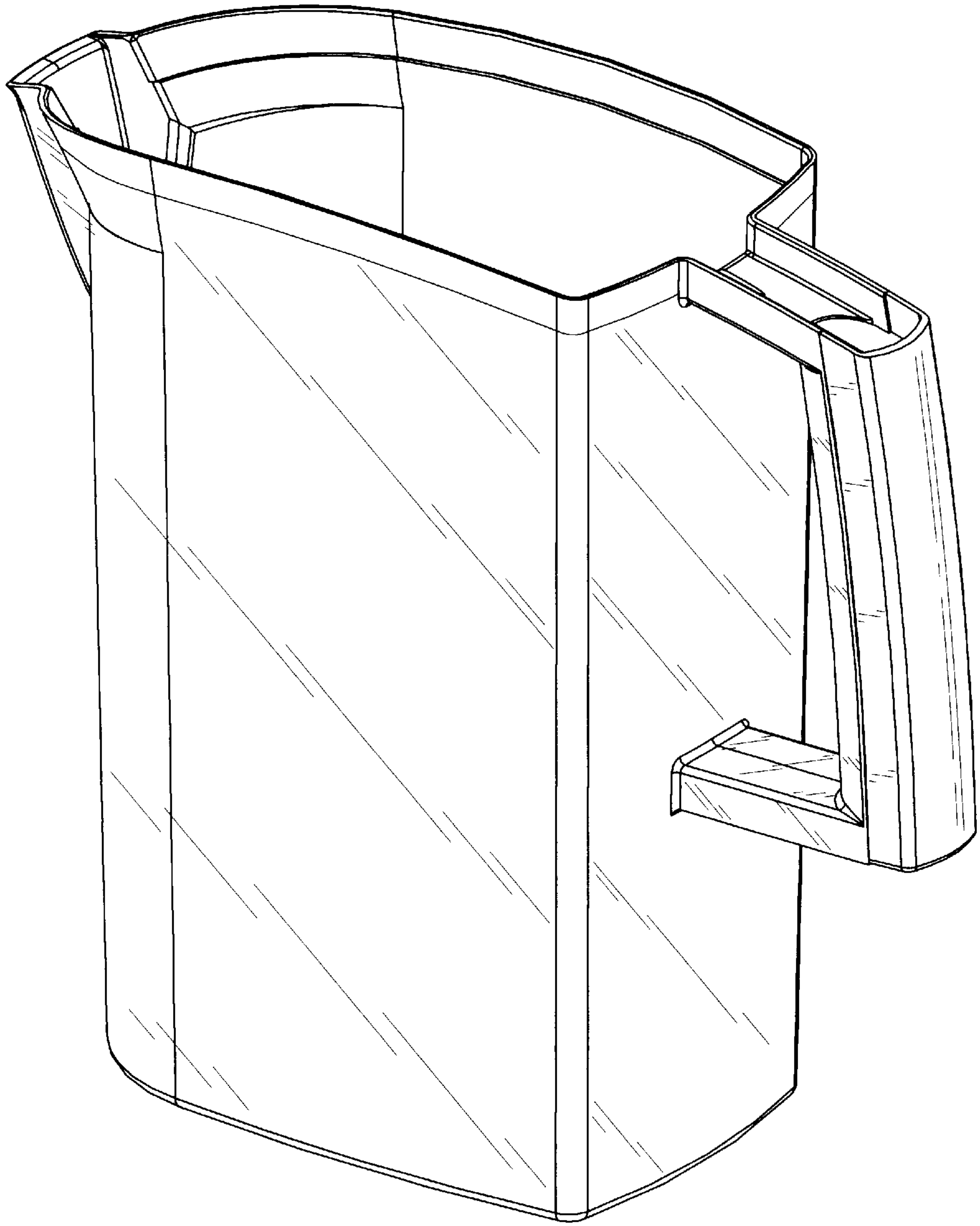


FIG. 7

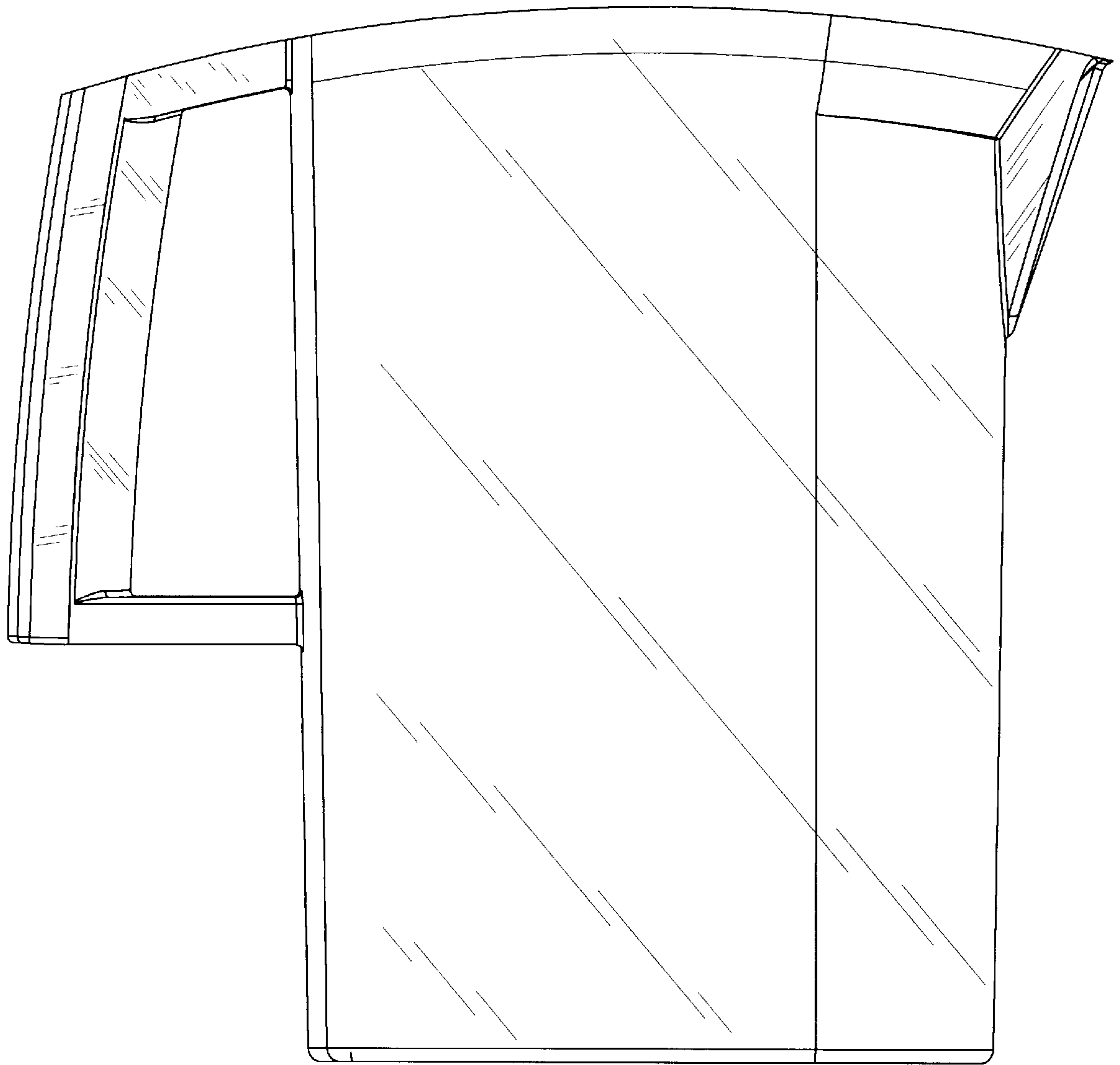


FIG. 8

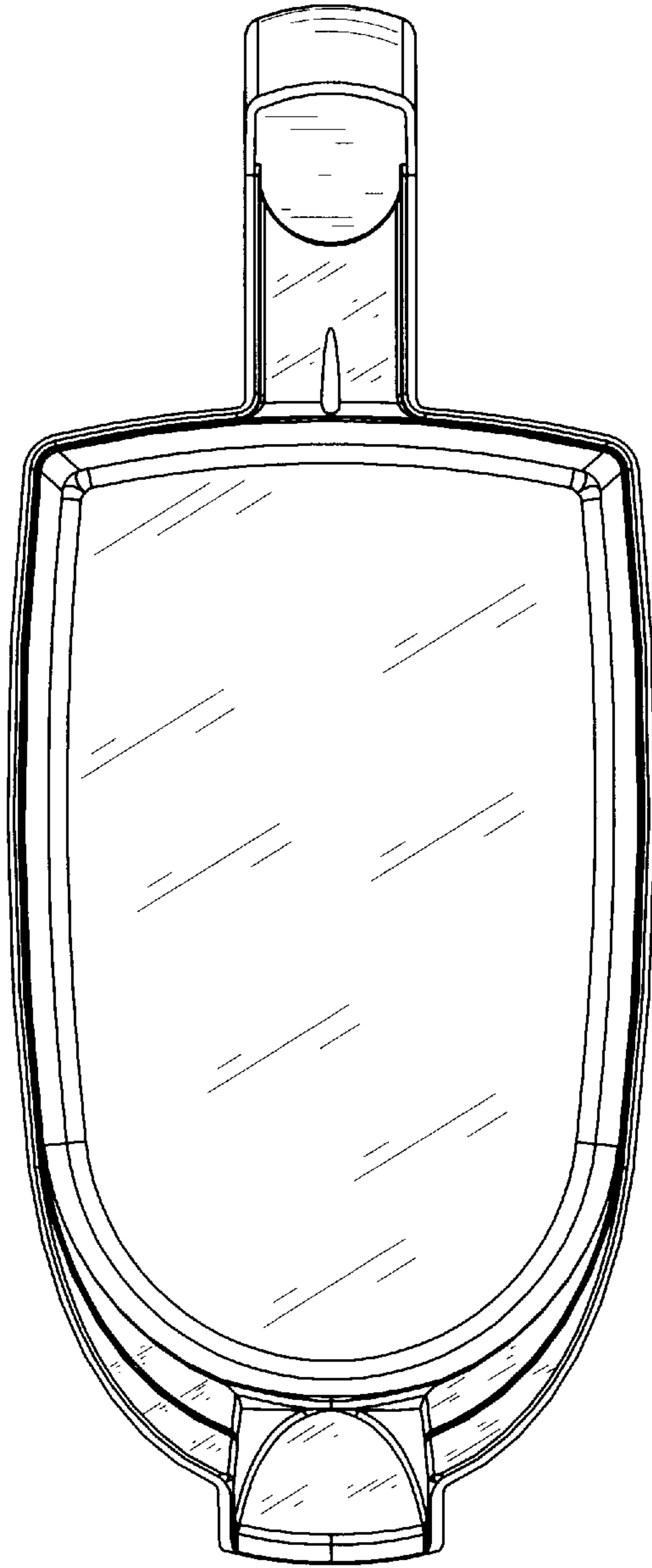


FIG. 9

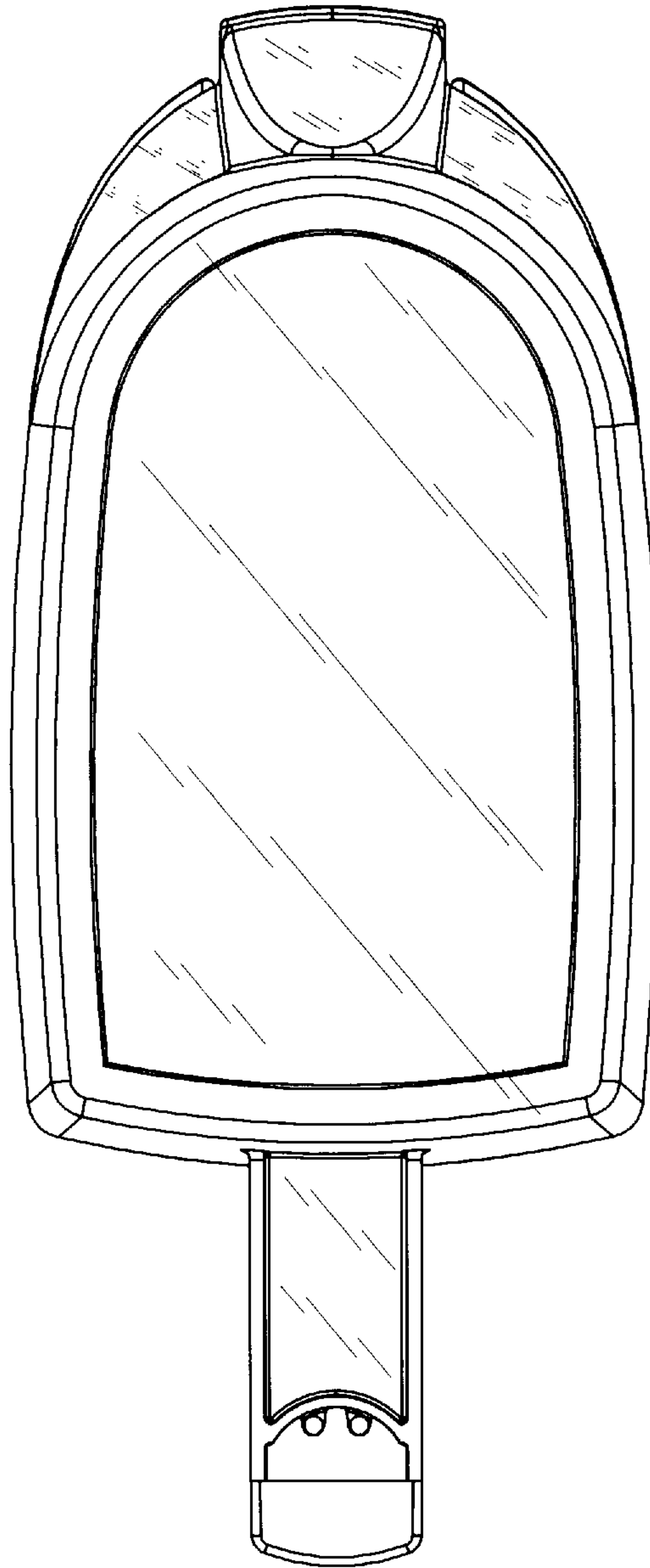


FIG. 10

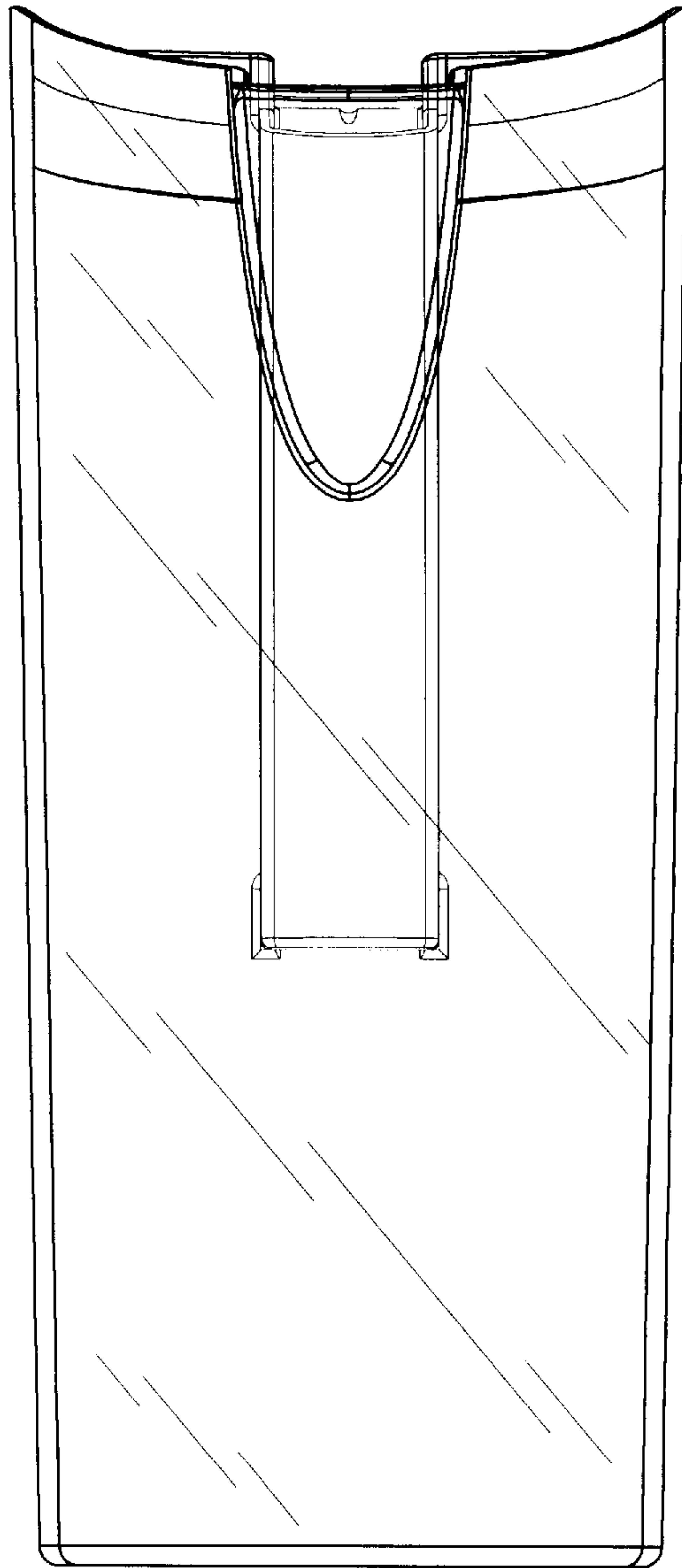


FIG. 11

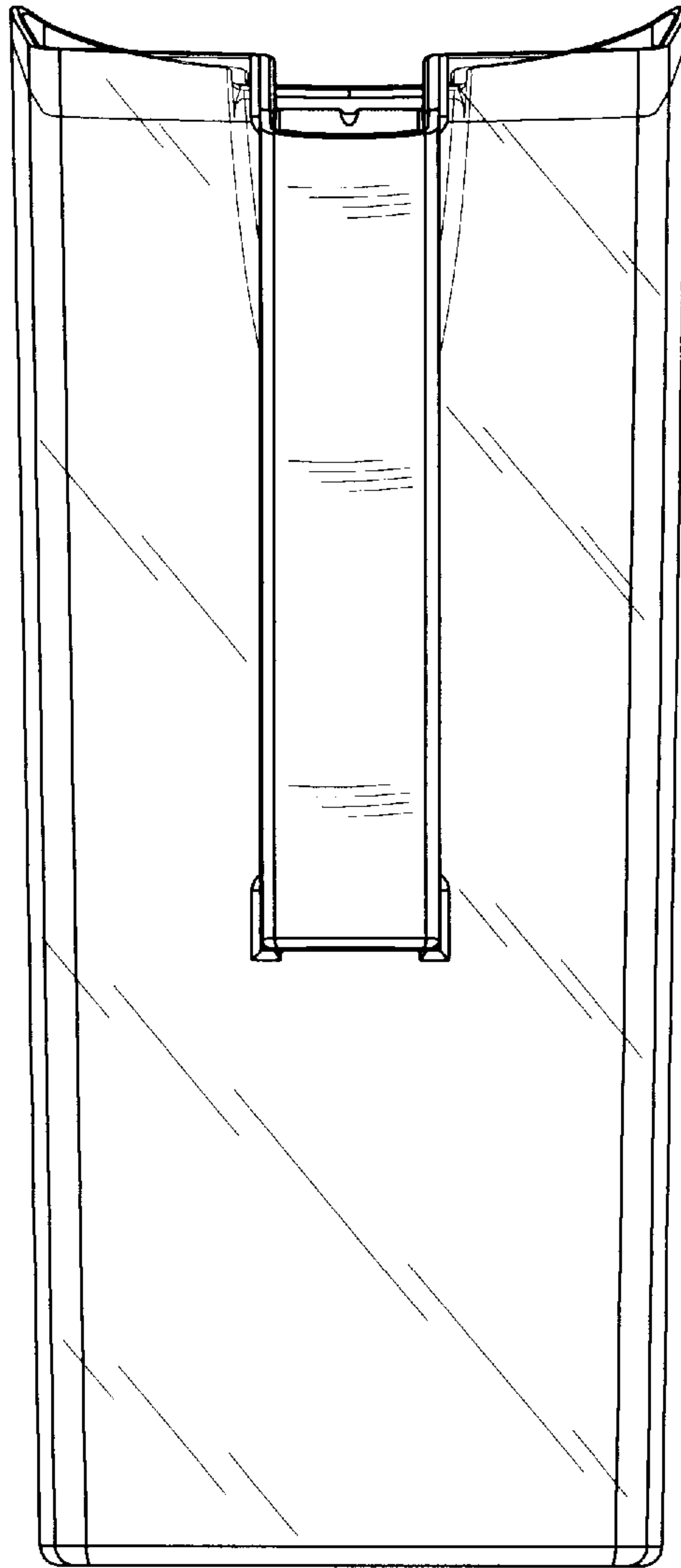


FIG. 12