



US00D40600S

United States Patent [19] Hartranft

[11] **Patent Number: Des. 406,000**

[45] **Date of Patent: **Feb. 23, 1999**

[54] **HEATED DOOR MAT UNIT**

[75] Inventor: **Korry M. Hartranft**, 402 Campbell Ave., Ypsilanti, Mich. 48198-3802

[73] Assignee: **Korry M. Hartranft**, Ypsilanti, Mich.

[**] Term: **14 Years**

[21] Appl. No.: **43,100**

[22] Filed: **Aug. 25, 1995**

[51] **LOC (6) Cl. 06-11**

[52] **U.S. Cl. D6/583**

[58] **Field of Search** D6/582, 583, 585, D6/596, 601, 604, 606; 15/215; 297/DIG. 1, 3, 6, 217.1, 217.3, 214.4, 219.1, 220, 225, 228.12; 5/417-420, 465, 922, 924; 428/80-82, 94, 95

[56] **References Cited**

U.S. PATENT DOCUMENTS

D. 352,630	11/1994	Yamanaka	D6/583
D. 355,226	2/1995	Wadley	D6/582
D. 358,520	5/1995	Yamanaka	D6/583
D. 362,148	9/1995	Tai	D6/583
2,843,868	7/1958	Borgstrom	15/215
4,201,817	5/1980	Duncan, Jr.	D6/583 X
4,415,620	11/1983	Yamazaki et al.	428/80 X
5,444,881	8/1995	Landi et al.	297/DIG. 3 X

OTHER PUBLICATIONS

Signatures Catalog, Kitty-Cat Doormat, Jul. 1994.

Primary Examiner—James Gandy
Assistant Examiner—Linda Brooks

[57] **CLAIM**

The ornamental design for a heated door mat unit, as shown and described.

DESCRIPTION

FIG. 1 is a perspective view of a heated door mat unit showing my new design;

FIG. 2 is an enlarged fragmentary top view of the mat portion thereof, shown separately for ease of illustration;

FIG. 3 is a bottom view of the mat shown in FIG. 2;

FIG. 4 is a front view of the mat shown in FIG. 2;

FIG. 5 is a rear view of the mat shown in FIG. 2;

FIG. 6 is a left side view of the mat shown in FIG. 2;

FIG. 7 is a right side view of the mat shown in FIG. 2;

FIG. 8 is an enlarged fragmentary front view of the thermostat shown in FIG. 1, shown separately for ease of illustration;

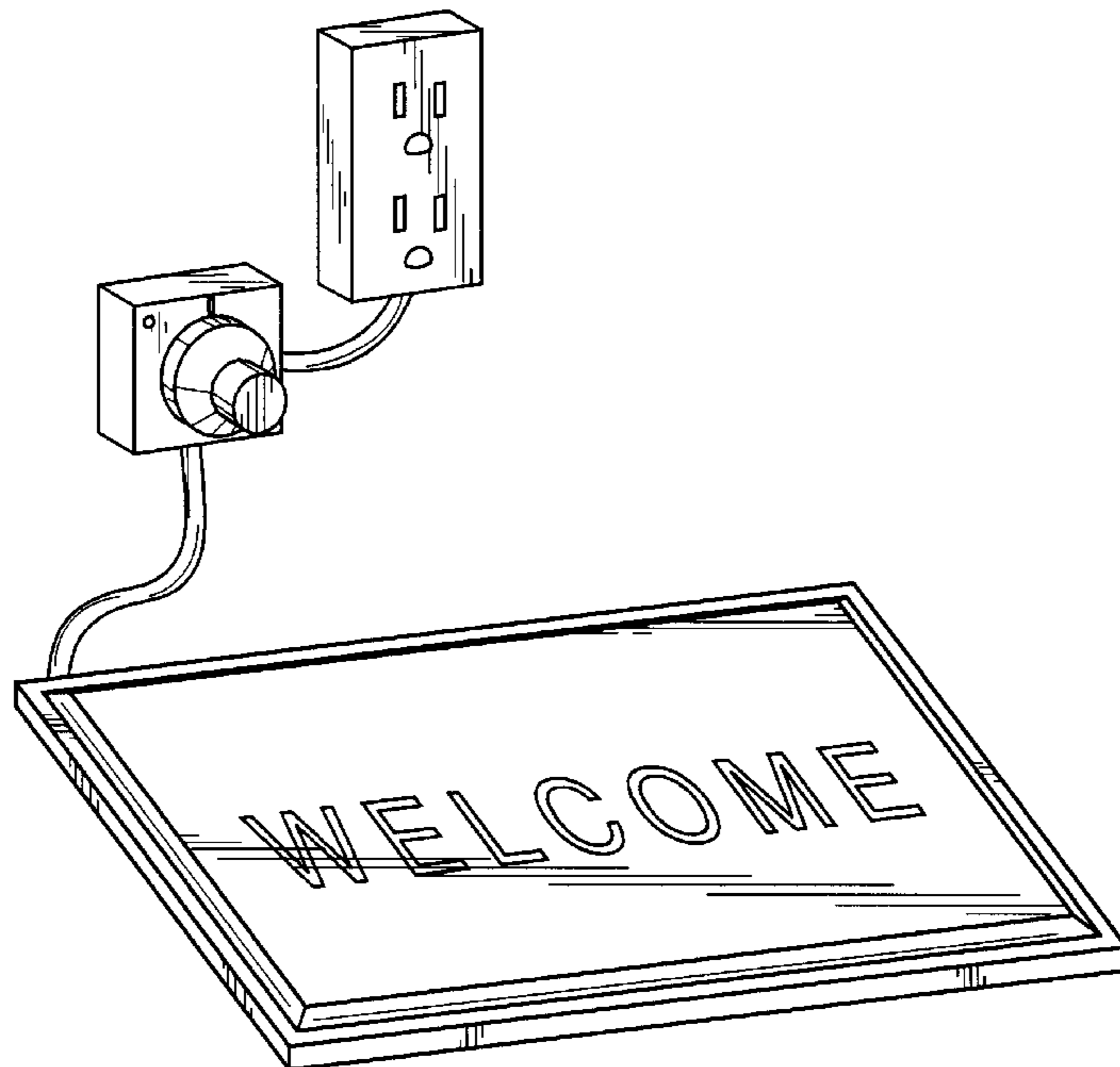
FIG. 9 is a rear view of the thermostat shown in FIG. 8;

FIG. 10 is a left side view of the thermostat shown in FIG. 8;

FIG. 11 is a right side view of the thermostat shown in FIG. 8;

FIG. 12 is top view of the thermostat shown in FIG. 8; and, FIG. 13 is a bottom view of the thermostat shown in FIG. 8.

1 Claim, 7 Drawing Sheets



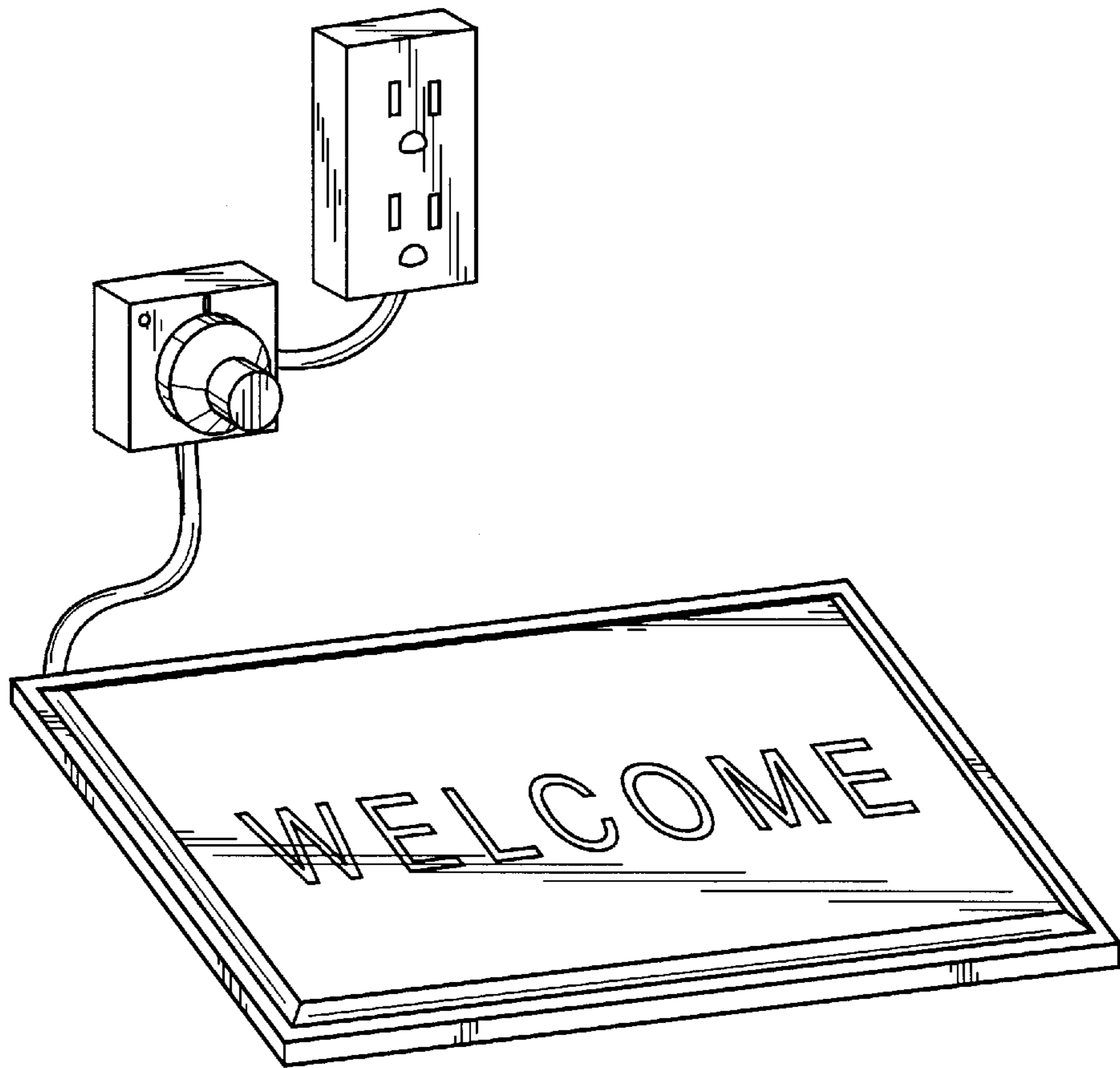
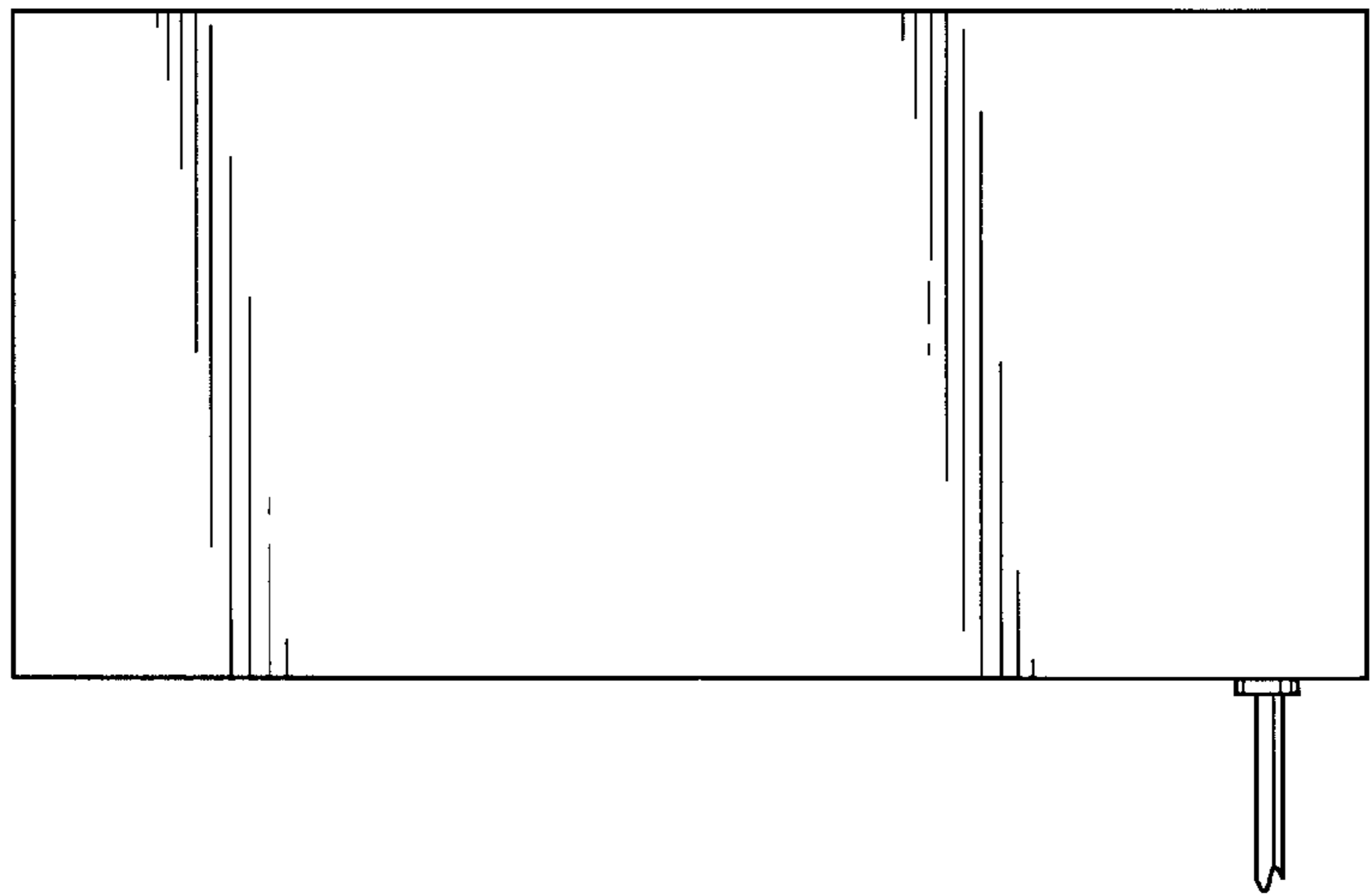


FIG. 1



FIG. 2

FIG. 3



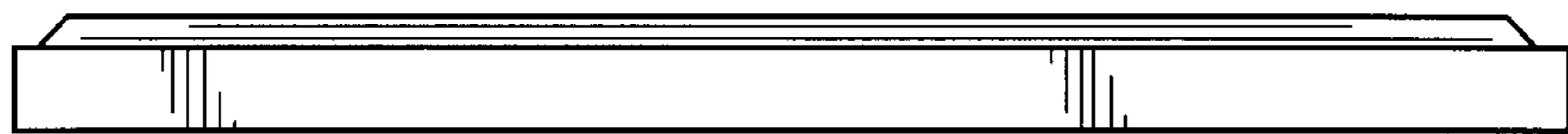


FIG. 4

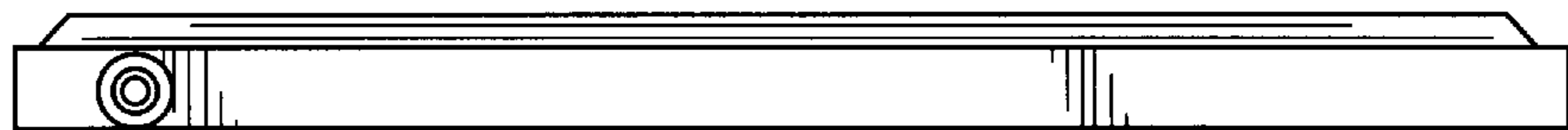


FIG. 5



FIG. 6

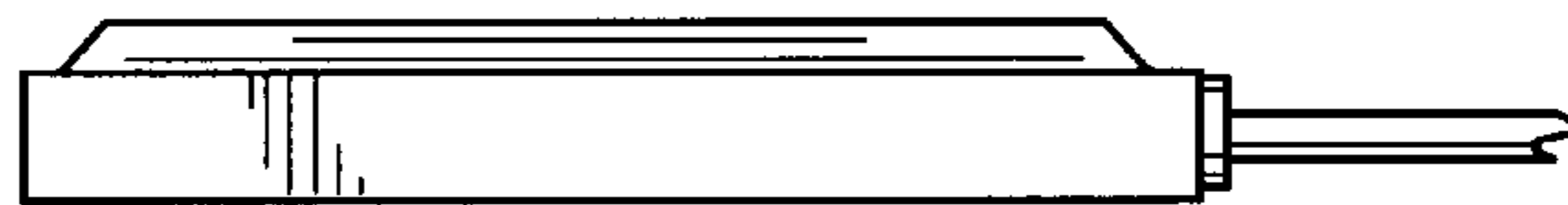


FIG. 7

FIG. 8

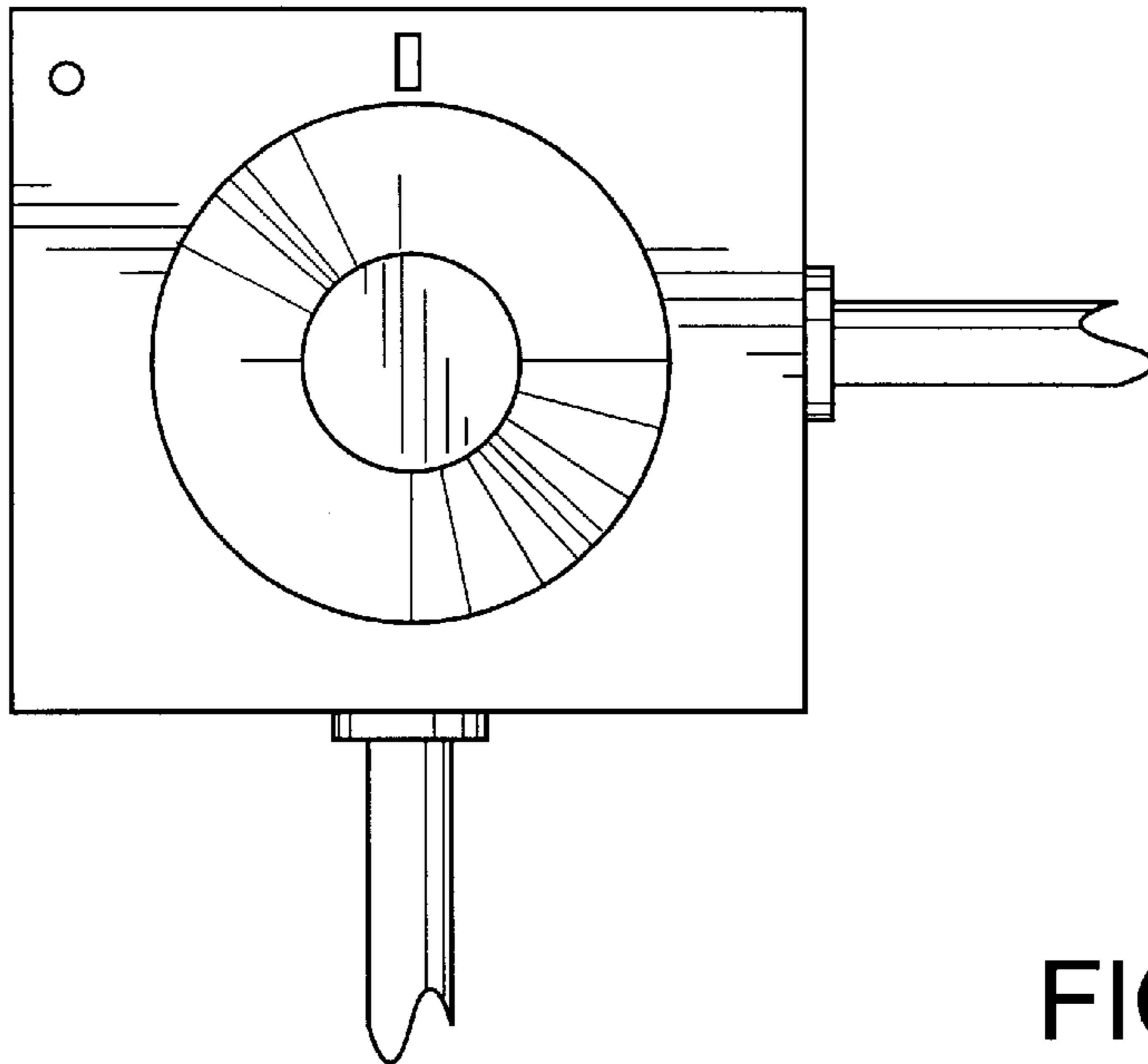
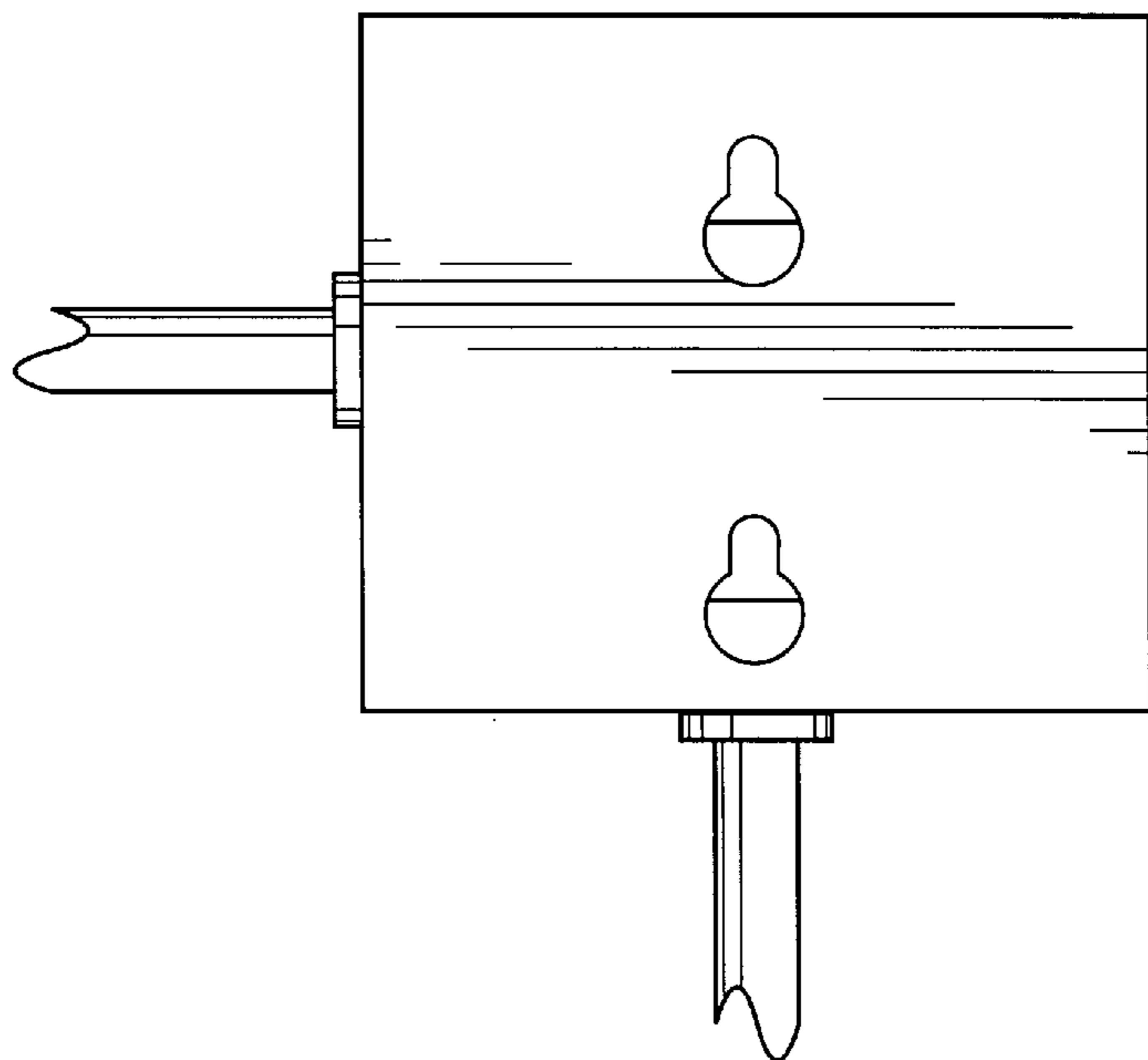


FIG. 9



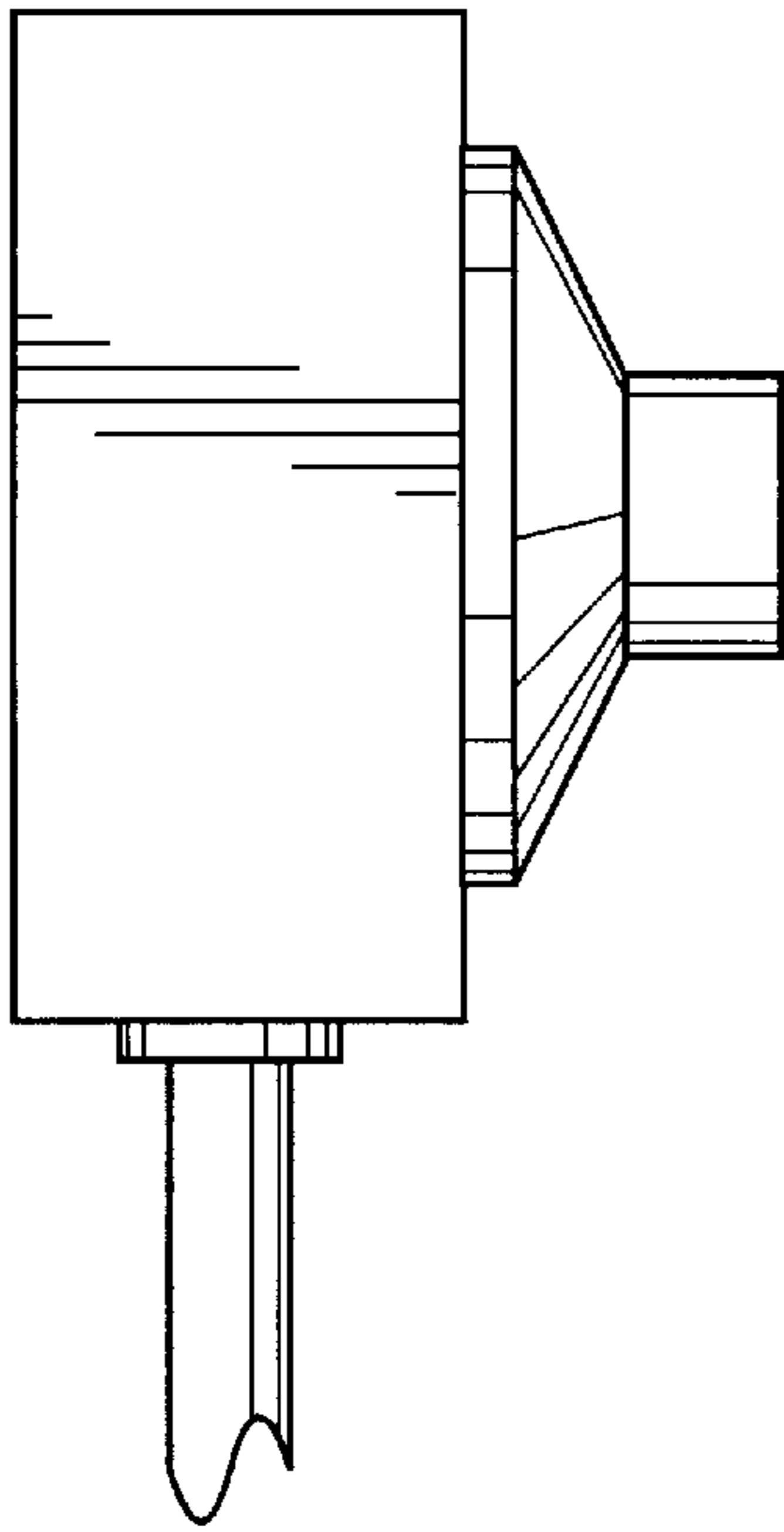


FIG. 10

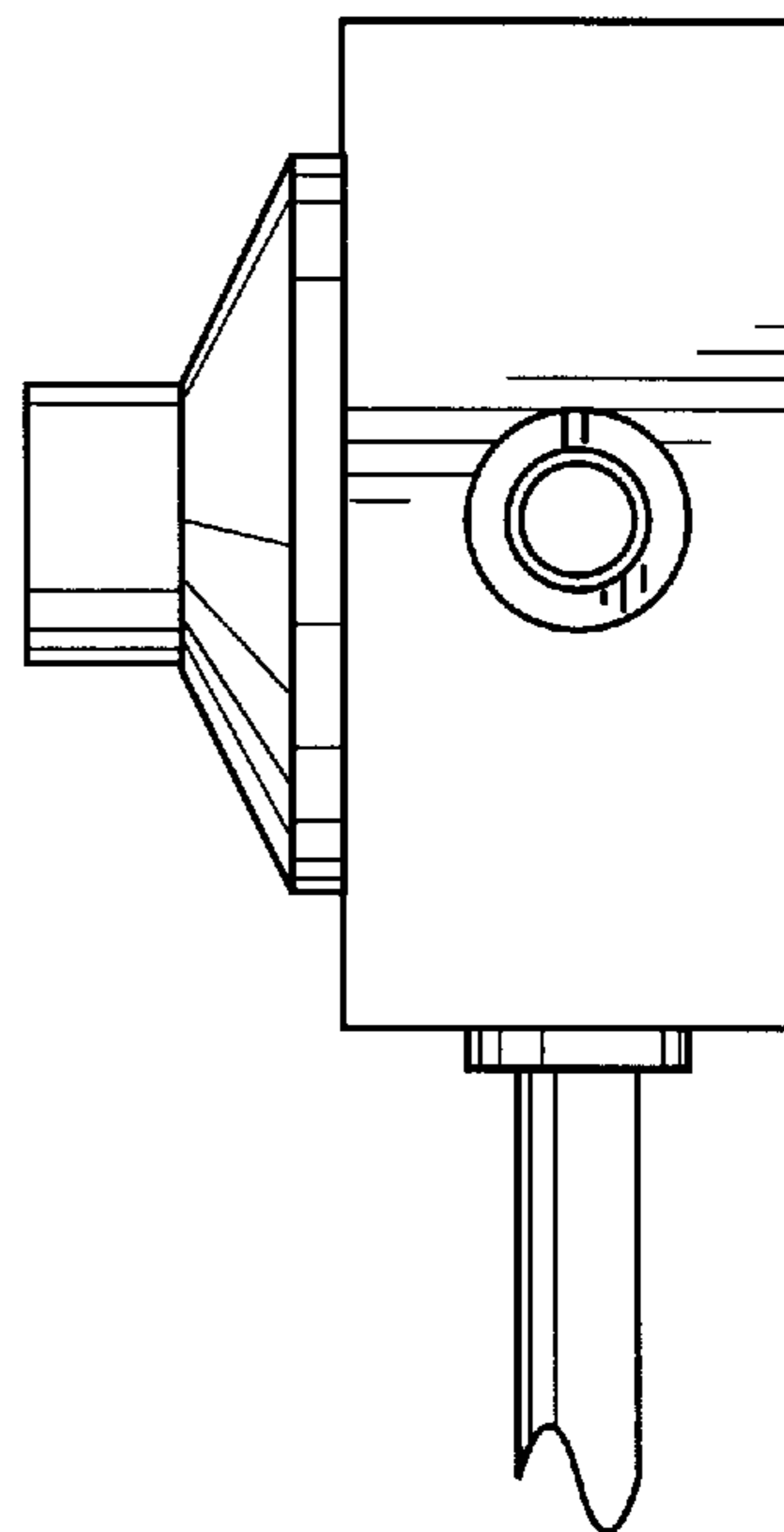


FIG. 11

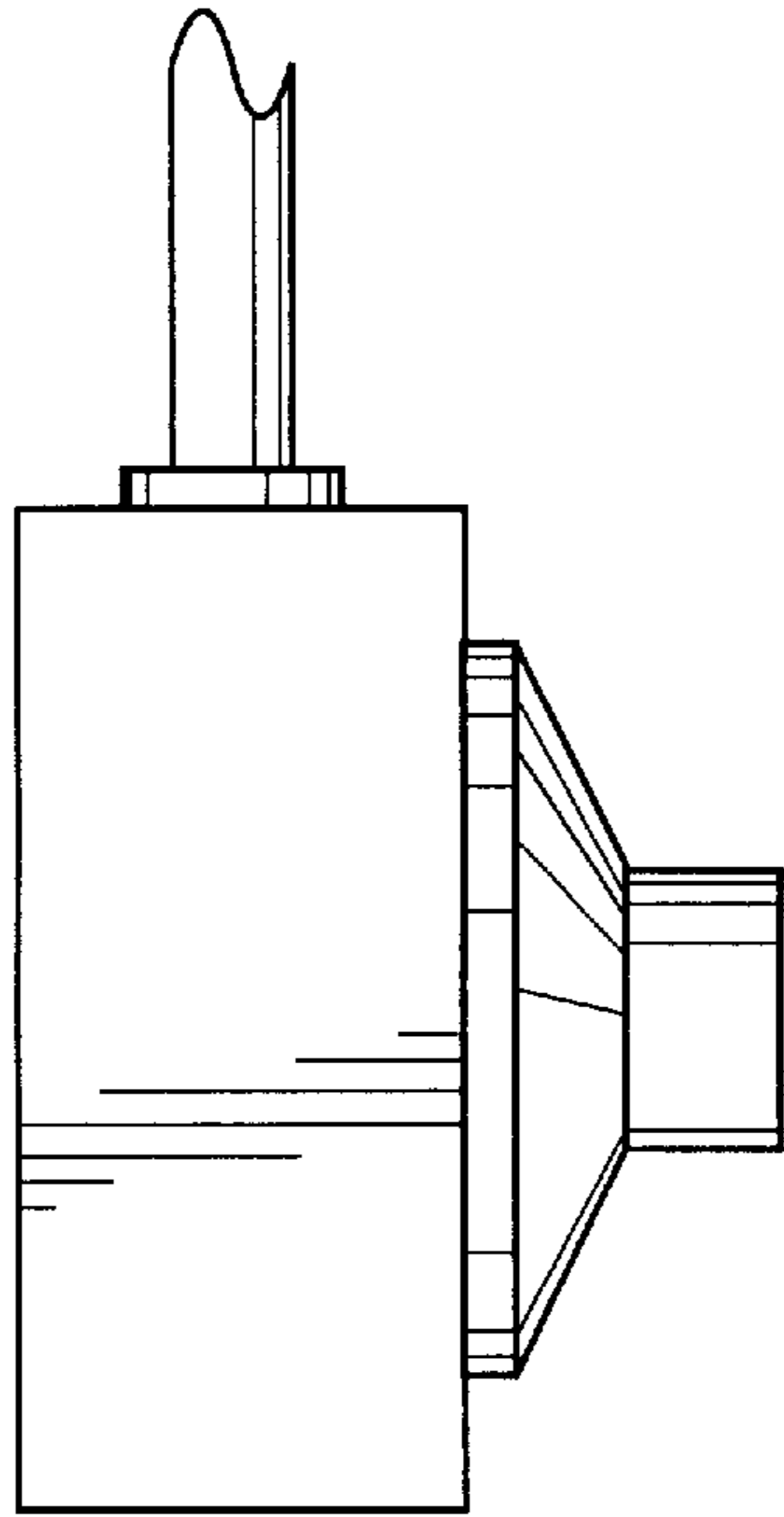


FIG. 12

FIG. 13

