



US00D405999S

United States Patent [19]

Lee et al.

[11] **Patent Number: Des. 405,999**

[45] **Date of Patent: **Feb. 23, 1999**

[54] **MAGNET BACK GADGET HOLDER**

[75] Inventors: **Stuart Harvey Lee; Martha Davis; Andrea Ruggiero**, all of New York, N.Y.

[73] Assignee: **M. Kamenstein, Inc.**, Elmsford, N.Y.

[**] Term: **14 Years**

[21] Appl. No.: **78,301**

[22] Filed: **Oct. 24, 1997**

[51] **LOC (6) Cl. 08-08**

[52] **U.S. Cl. D6/569**

[58] **Field of Search D6/553, 567-574; 211/13.1, 60.1, 70.6, 70.7, 86, 87, 89**

[56] **References Cited**

U.S. PATENT DOCUMENTS

- D. 294,791 3/1988 Loscalzo et al. D6/569
- D. 336,808 6/1993 Balzano D6/570

- D. 383,347 9/1997 Cheung et al. D6/553
- D. 396,159 7/1998 Anderson et al. D6/553
- 4,326,761 4/1982 Schwartz 211/13.1 X

Primary Examiner—Brian N. Vinson
Attorney, Agent, or Firm—Robert A. Koons, Jr.; James W. Bolcsak

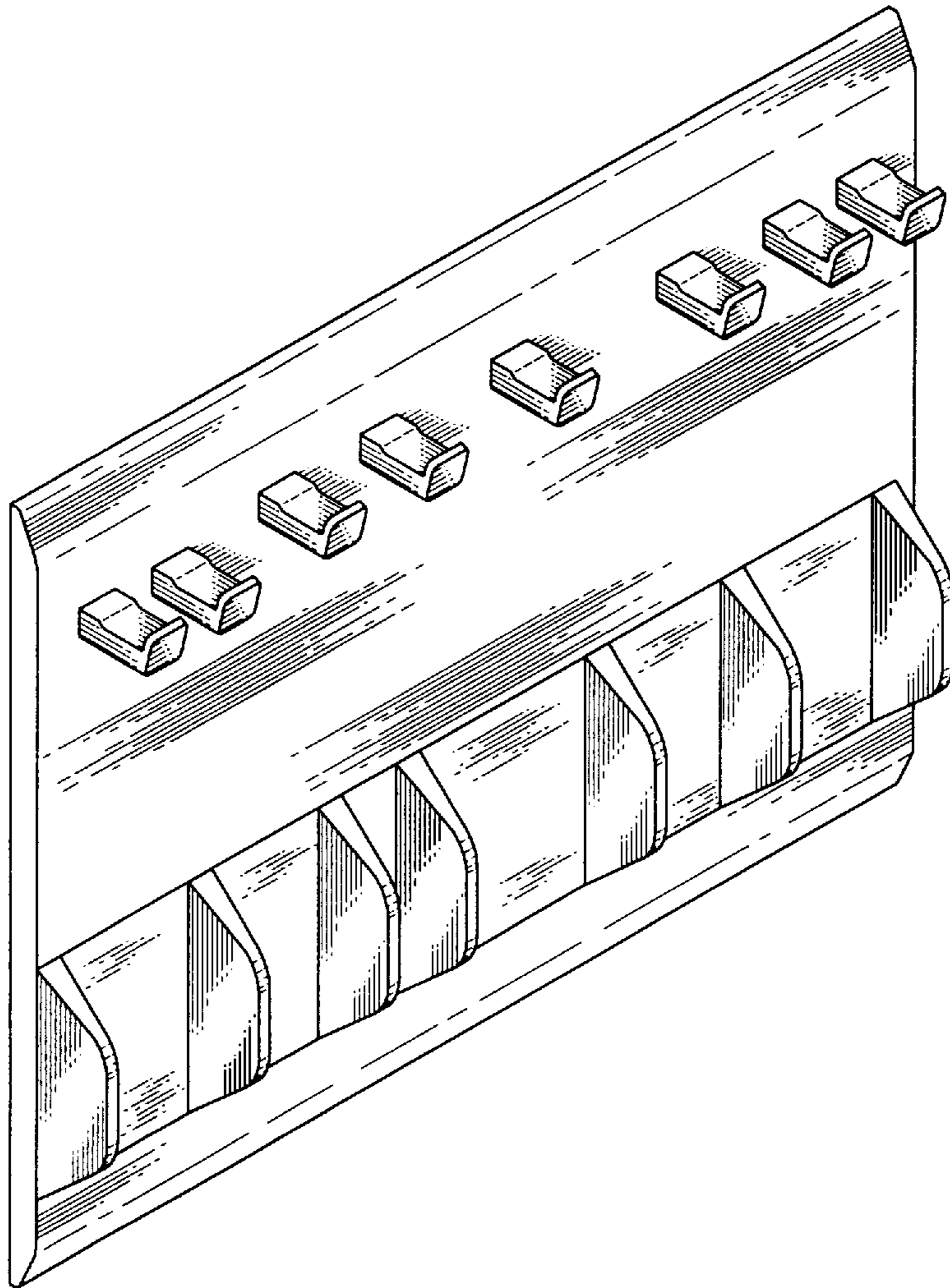
[57] **CLAIM**

The ornamental design for a magnet back gadget holder, as shown.

DESCRIPTION

FIG. 1 is a perspective view of a magnet back gadget holder showing our new design; FIG. 2 is a front side view thereof; FIG. 3 is a back side view thereof; FIG. 4 is a top side view thereof; FIG. 5 is a bottom side view thereof; FIG. 6 is a right side view thereof; and, FIG. 7 is a left side view thereof.

1 Claim, 3 Drawing Sheets



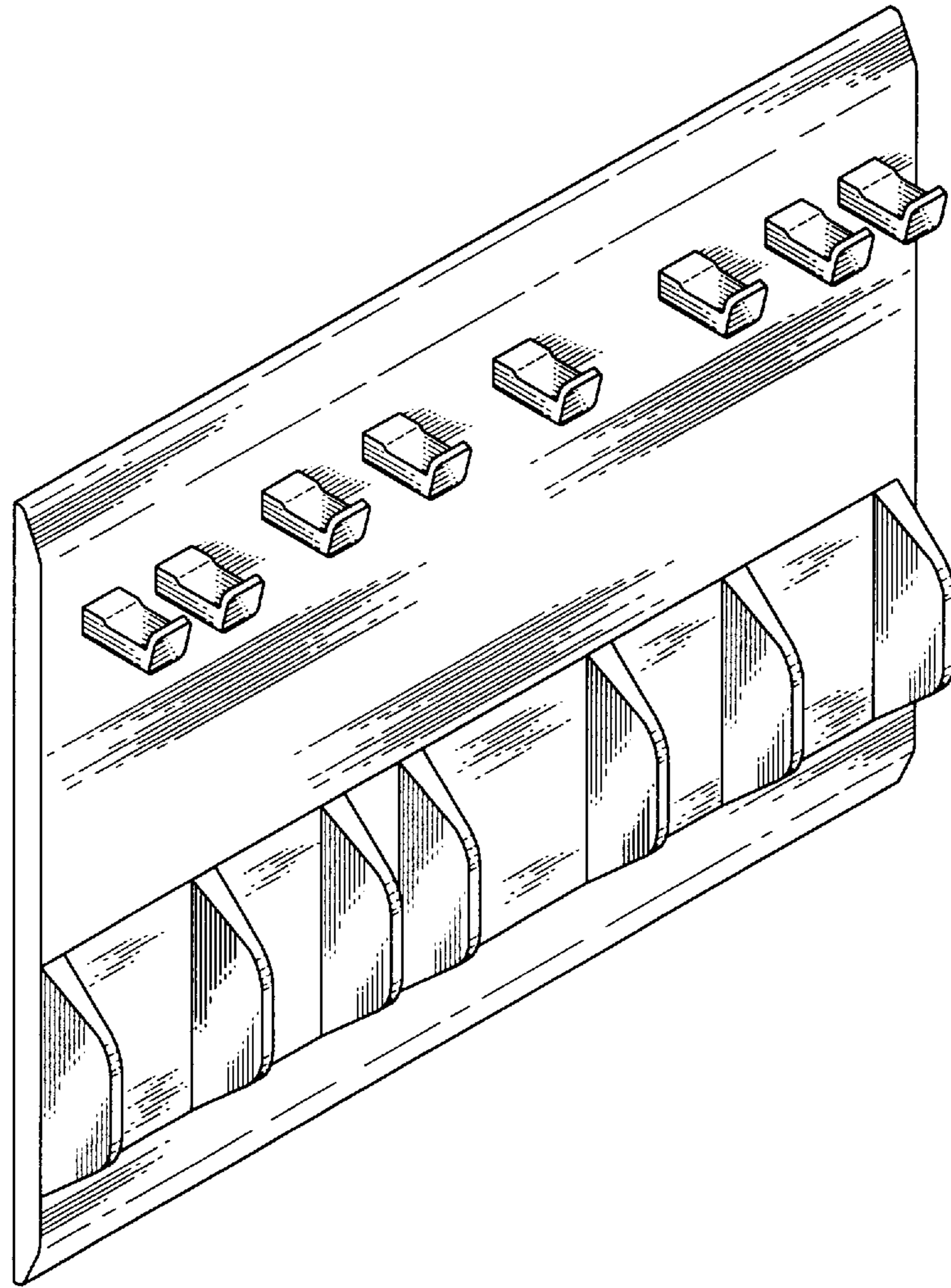


FIG. 1

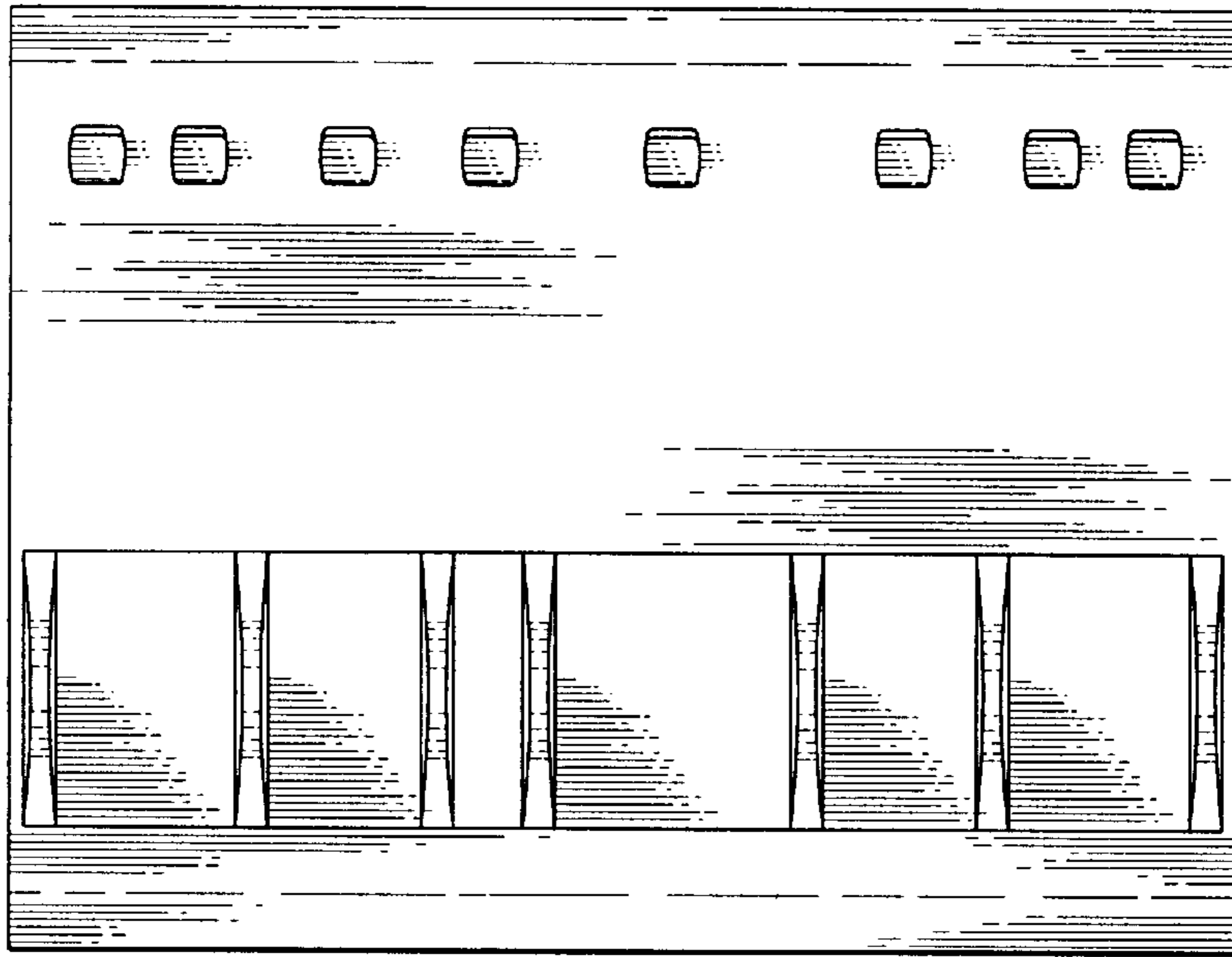


FIG. 2

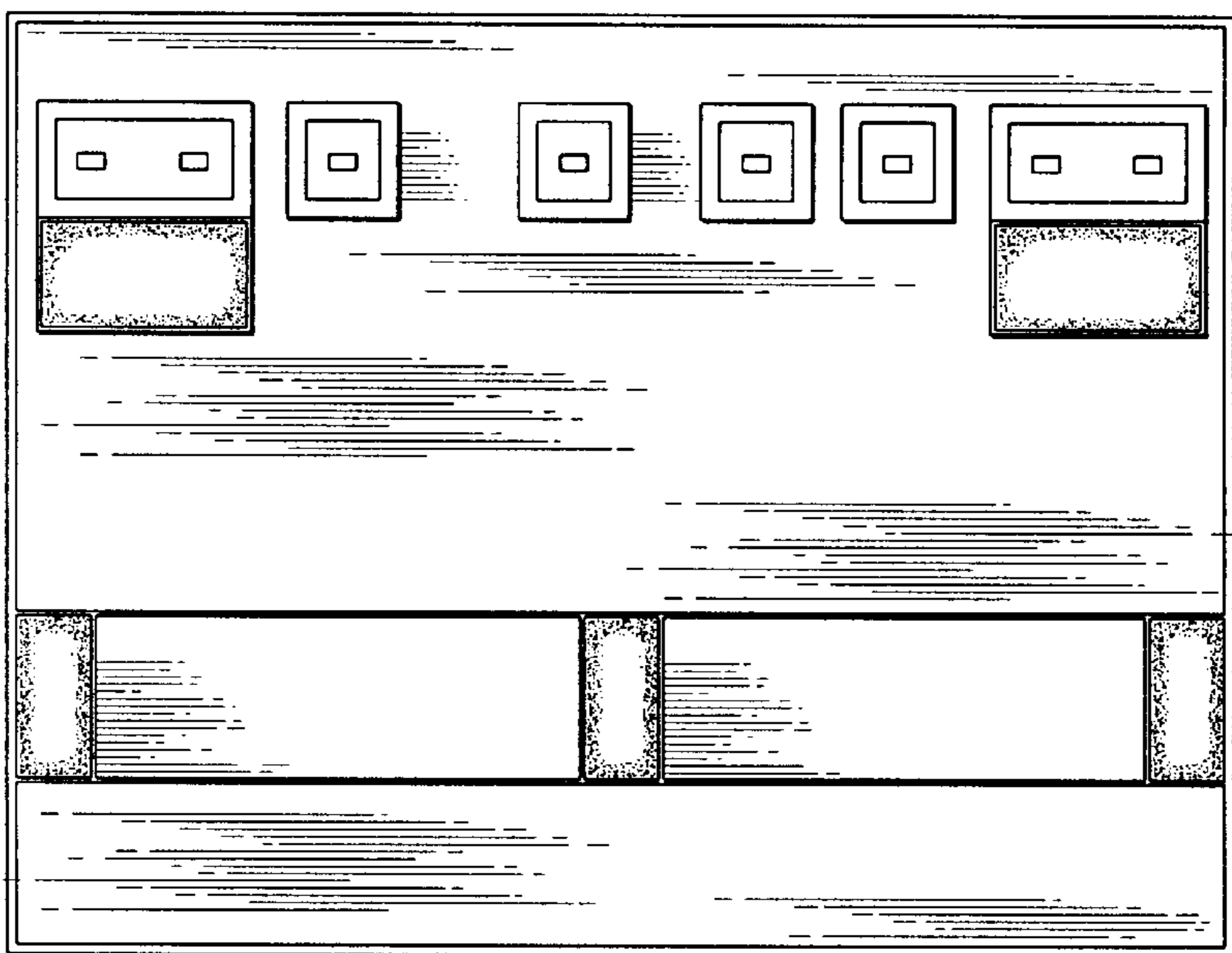


FIG. 3

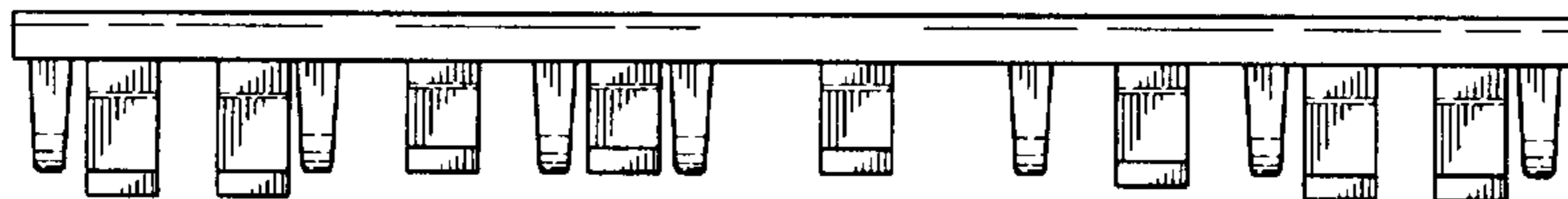


FIG. 4

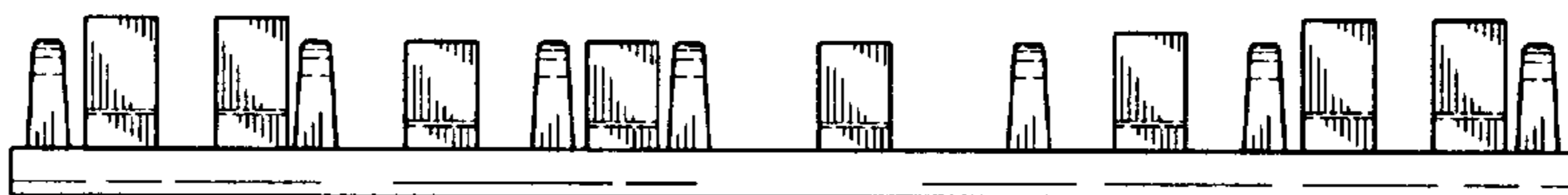


FIG. 5

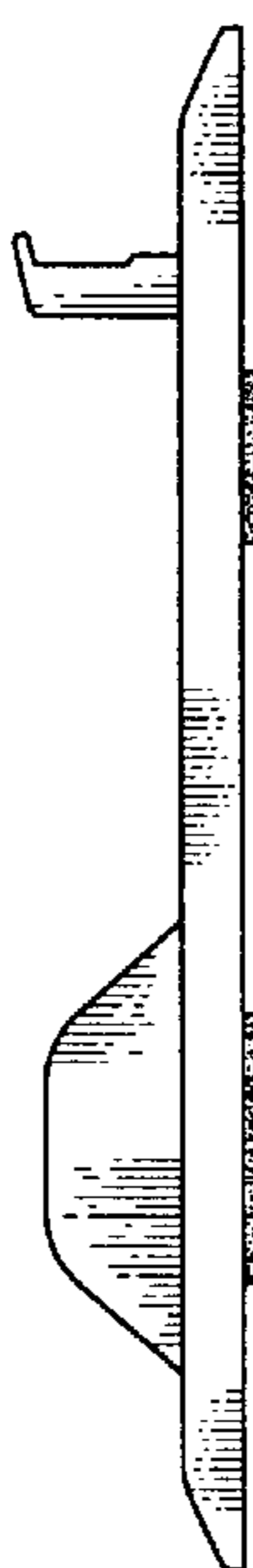


FIG. 6

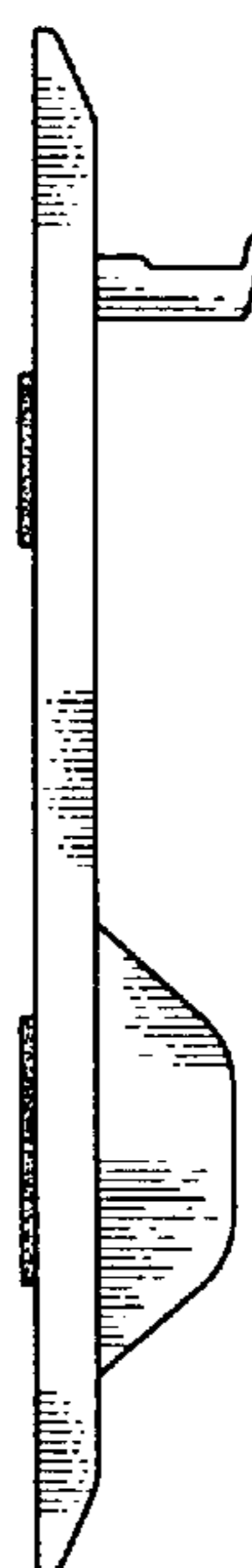


FIG. 7