



US00D405996S

United States Patent [19]
Mickler et al.

[11] **Patent Number: Des. 405,996**
[45] **Date of Patent: **Feb. 23, 1999**

[54] **DENTAL STATION AND TIMER**
[75] Inventors: **John P. Mickler**, 518 W. Amoroso Dr., Gilbert, Ariz. 85233; **Doug J. Maier**, Chandler, Ariz.
[73] Assignee: **John P. Mickler**, Gilbert, Ariz.
[**] Term: **14 Years**
[21] Appl. No.: **79,992**
[22] Filed: **Sep. 5, 1997**
[51] **LOC (6) Cl.** **07-07**
[52] **U.S. Cl.** **D6/527; D6/530; D6/531**
[58] **Field of Search** **D6/524, 527, 528, D6/530, 531, 534, 535; 206/277; 248/108, 176; 211/71, 74**

D. 357,151 4/1995 Santapa D6/531
D. 366,794 2/1996 Lee D6/528

Primary Examiner—Brian N. Vinson

[57] **CLAIM**

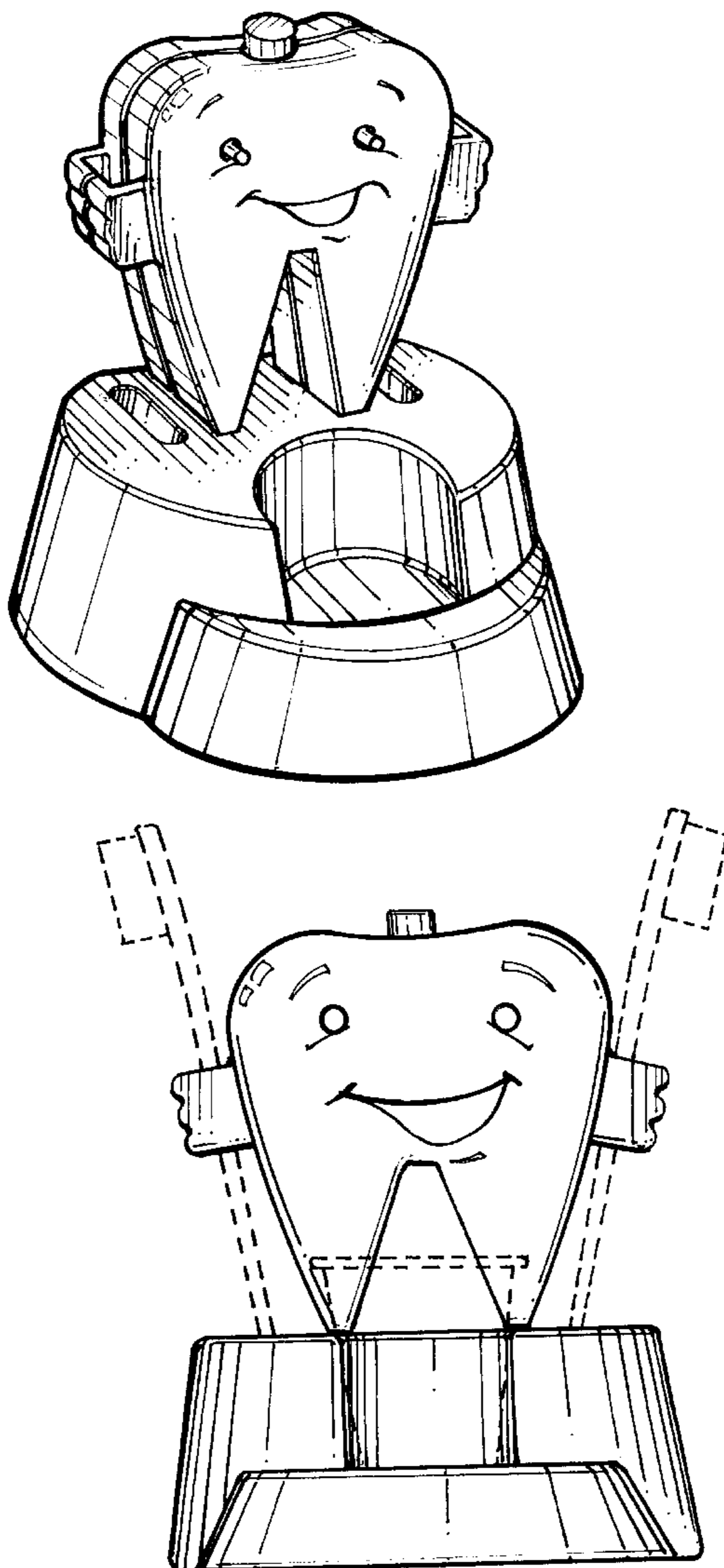
The ornamental design for a dental station and timer, as shown and described.

DESCRIPTION

FIG. 1 is a top, front, and left side perspective view of a dental station and timer showing our new design; FIG. 2 is a right side elevational view thereof; FIG. 3 is a top plan view thereof; FIG. 4 is a left side elevational view thereof; FIG. 5 is a bottom plan view thereof; FIG. 6 is a front elevational view thereof, the broken-line disclosure being for illustrative purposes only and forming no part of the claimed design; and, FIG. 7 is a rear elevational view thereof.

[56] **References Cited**
U.S. PATENT DOCUMENTS
D. 330,822 11/1992 Steiner D6/528

1 Claim, 4 Drawing Sheets



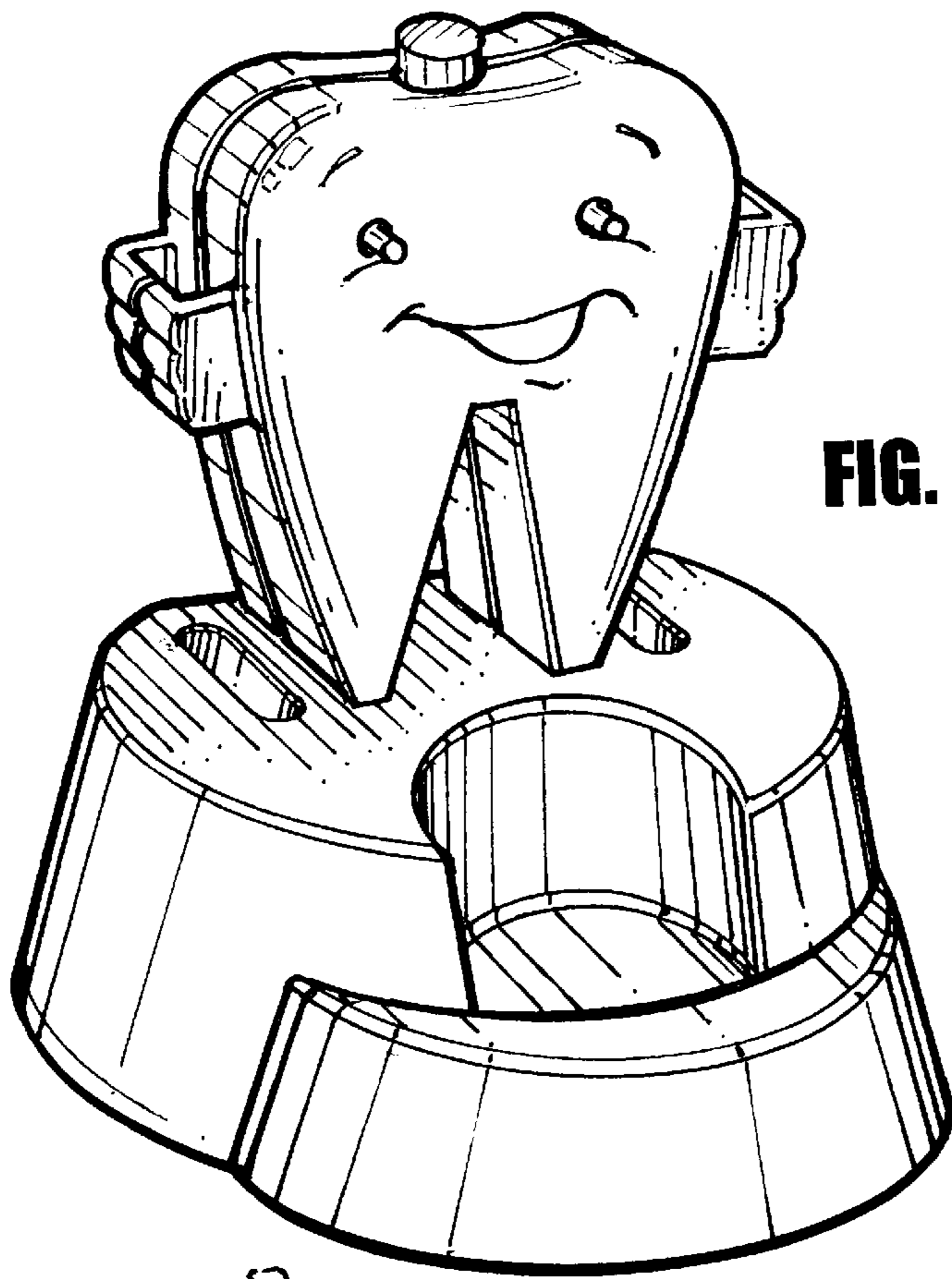


FIG. 1

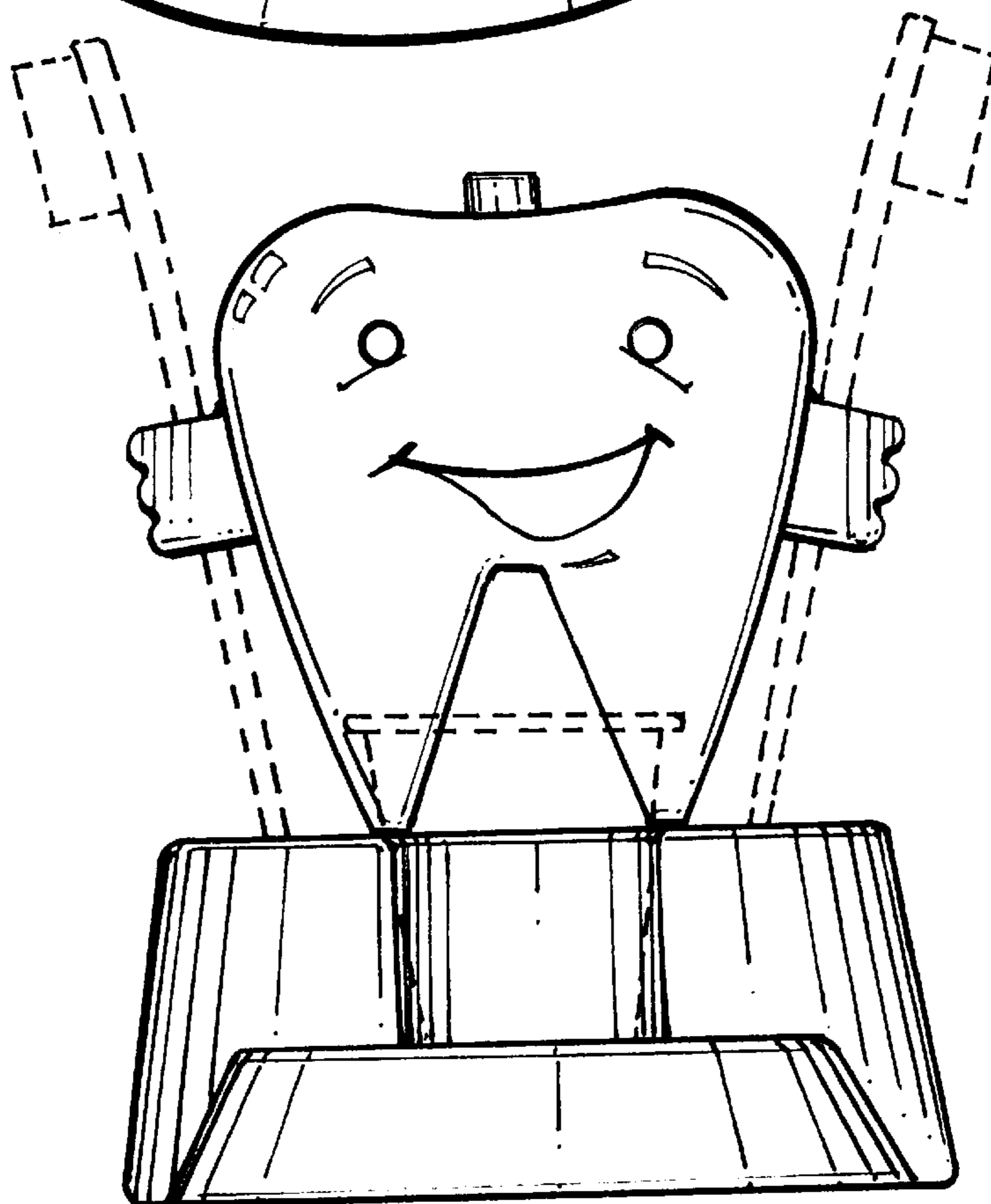


FIG. 6

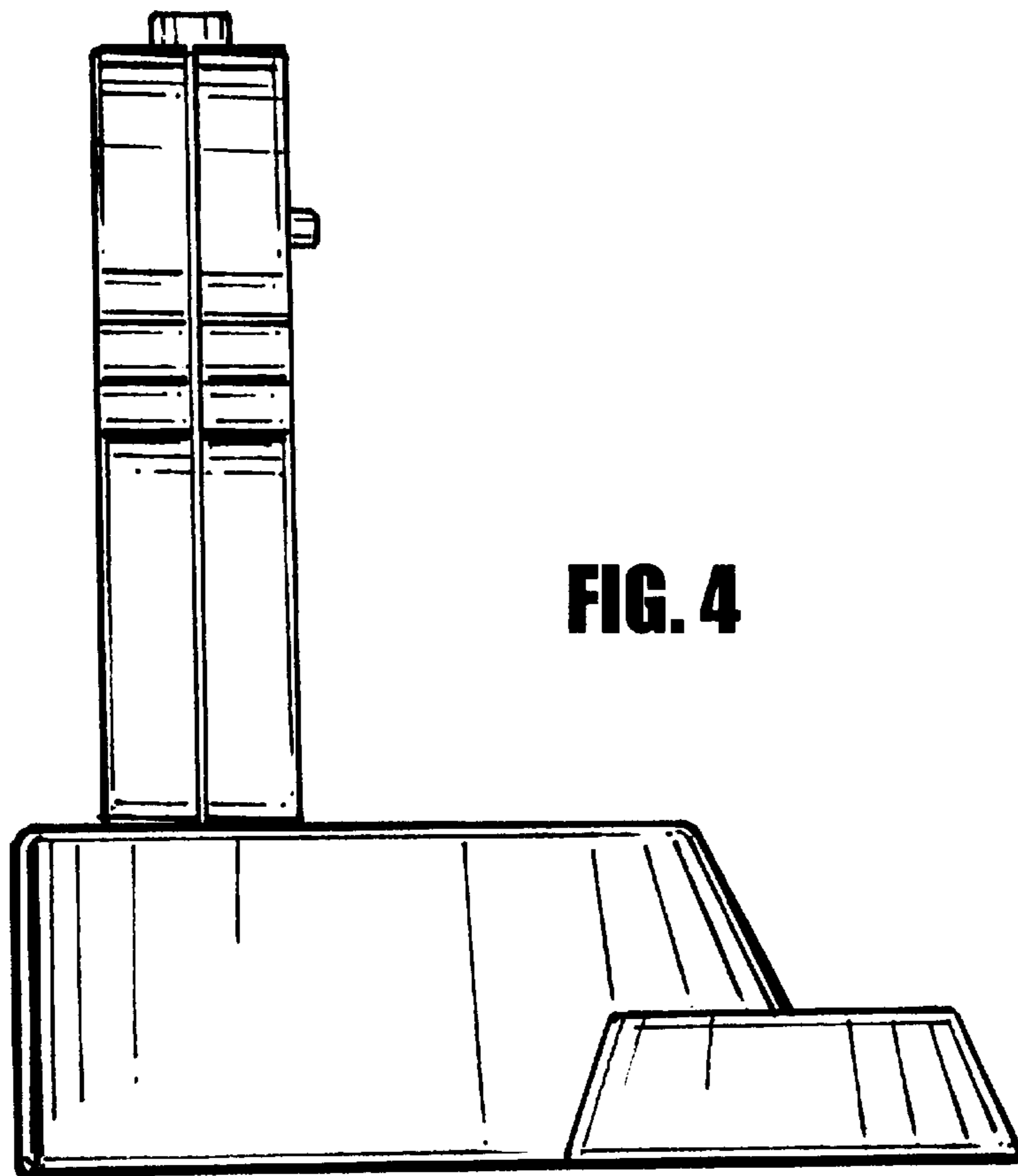


FIG. 4

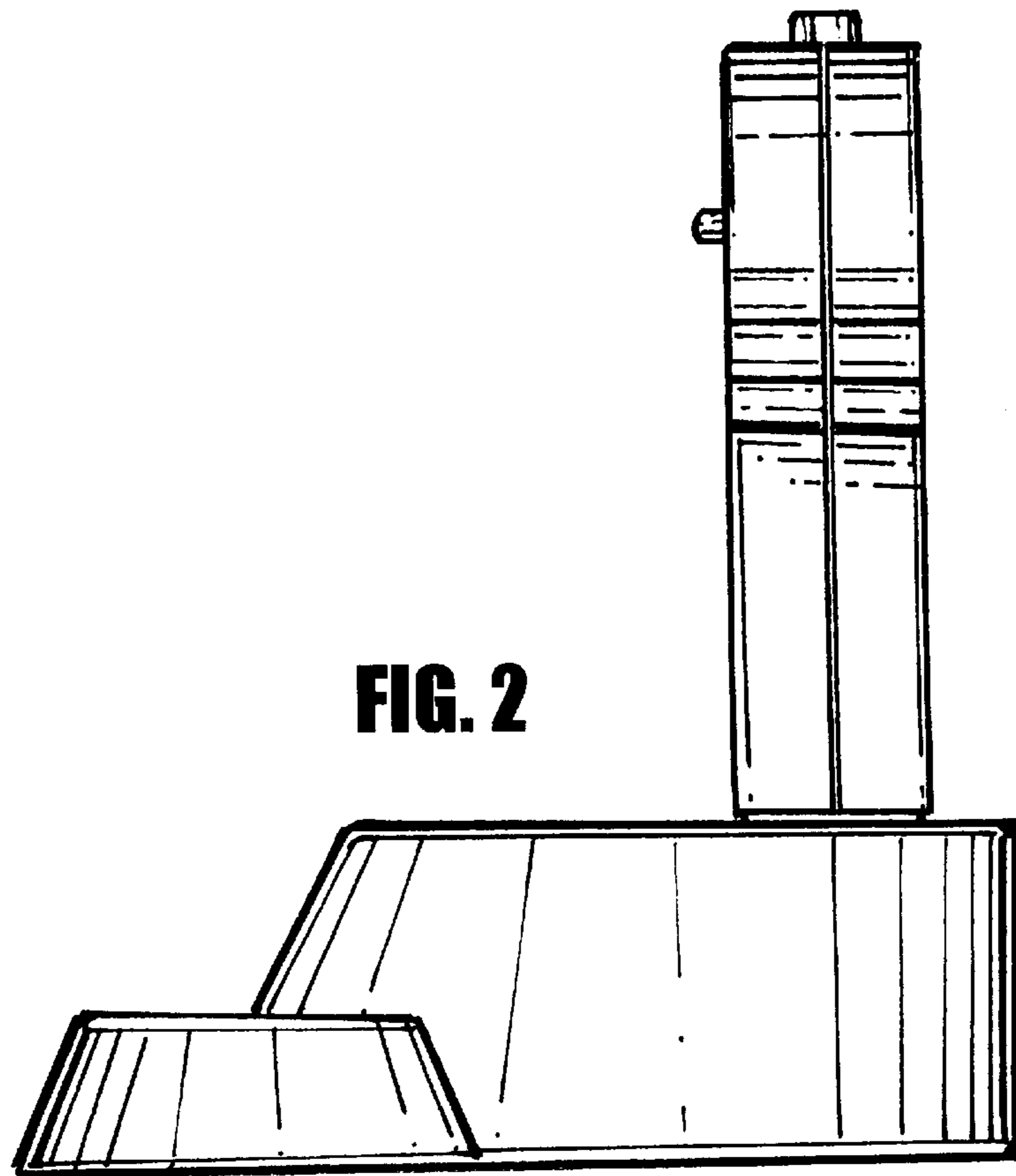


FIG. 2

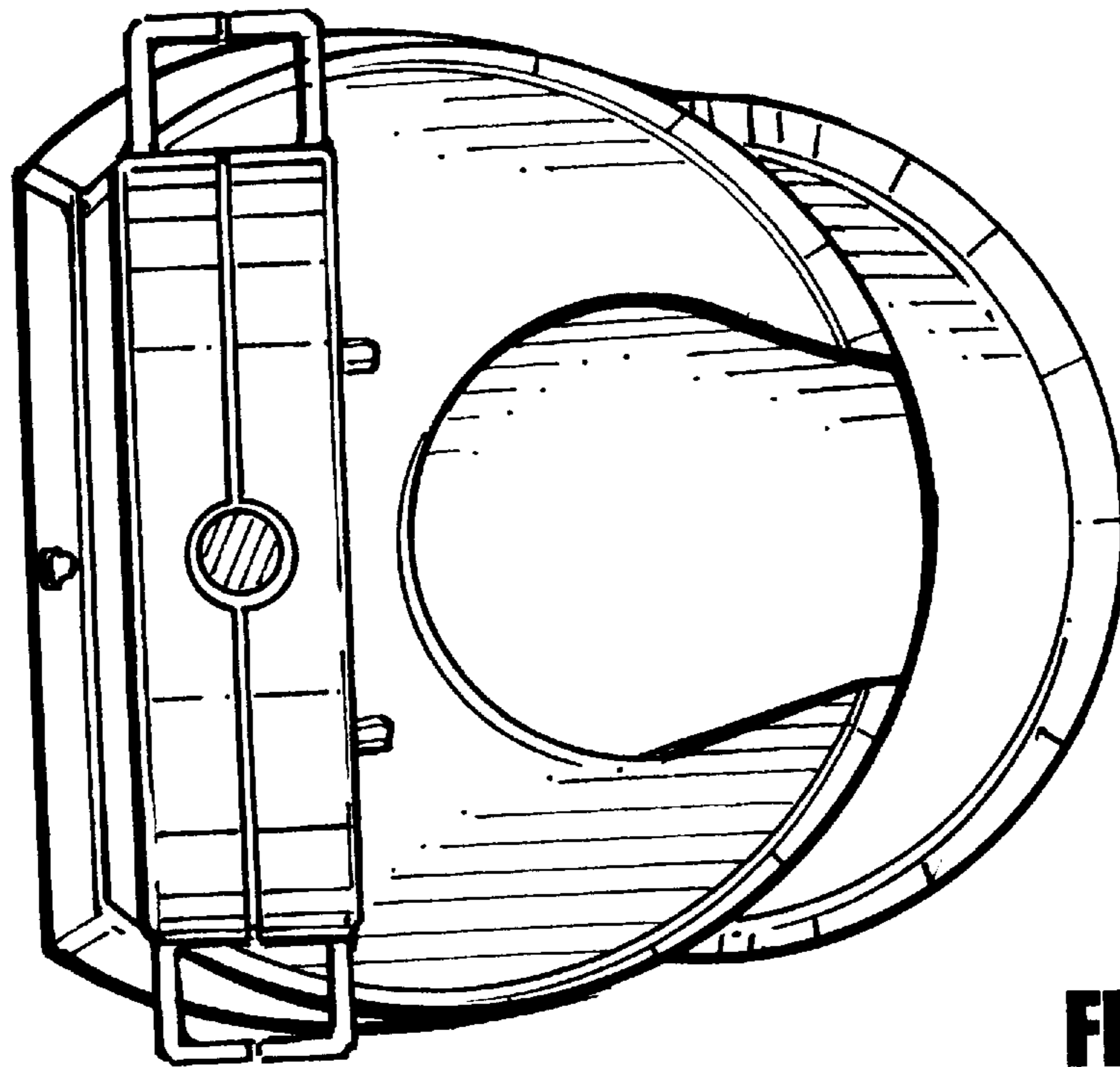


FIG. 3

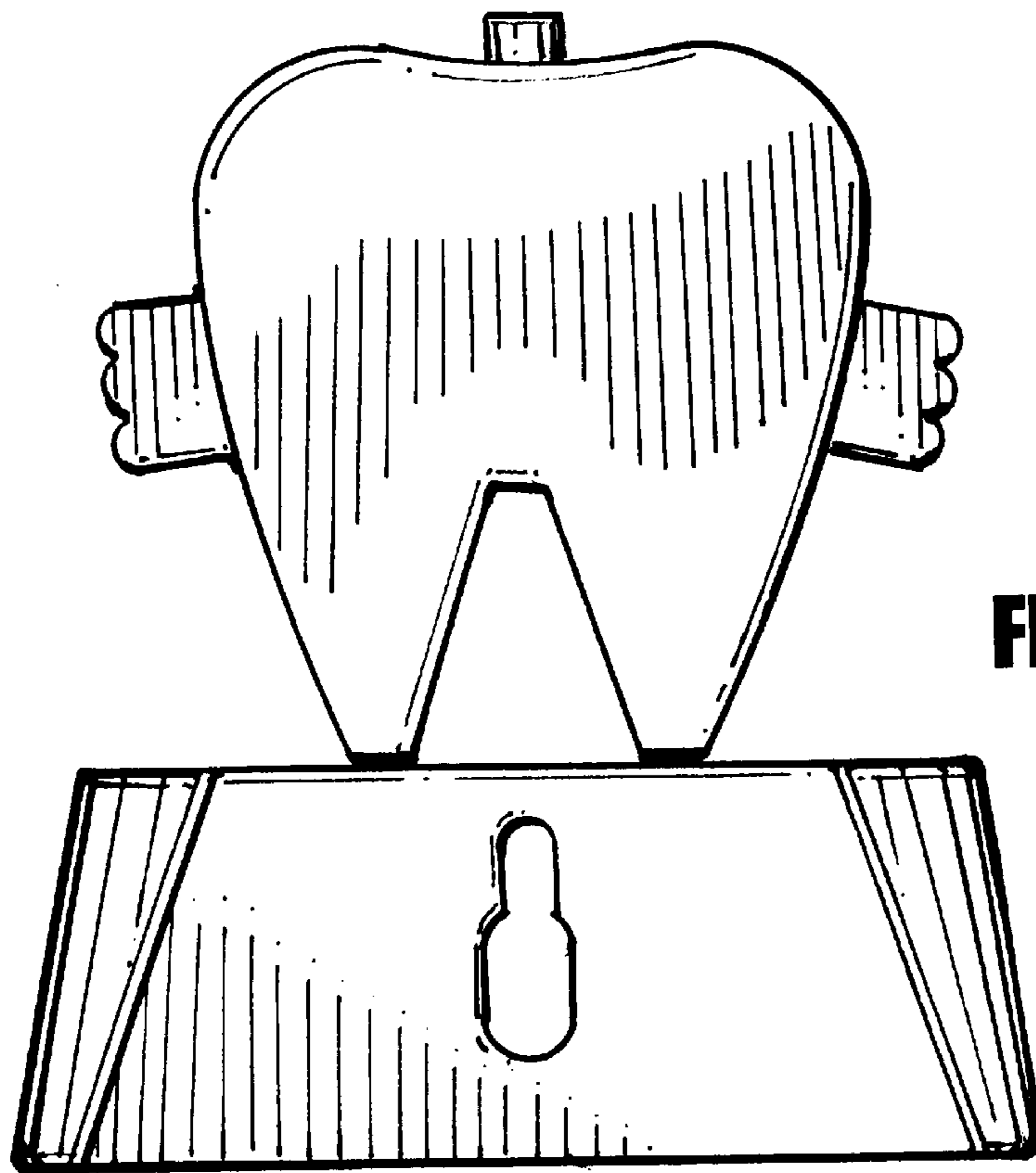


FIG. 7

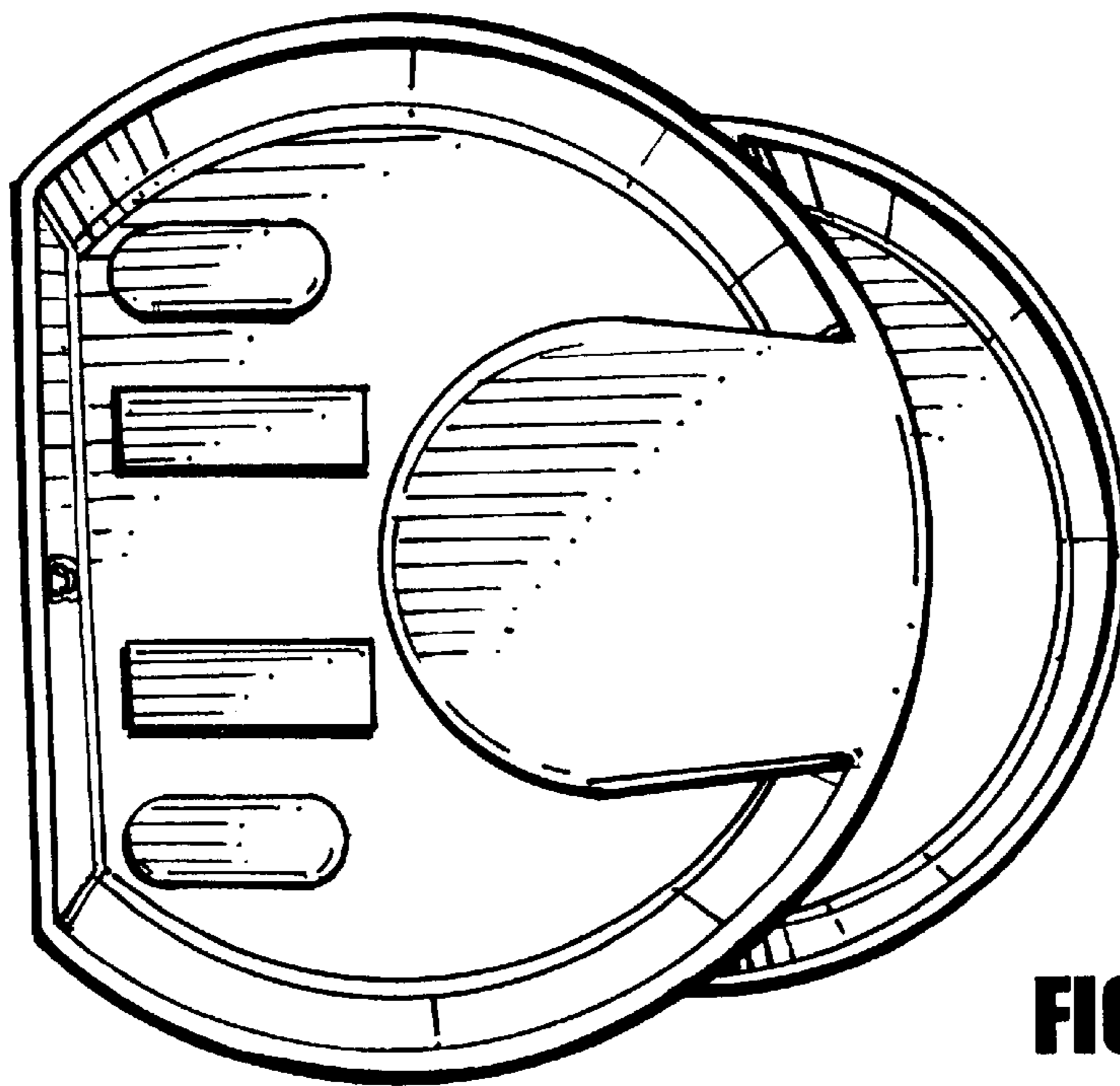


FIG. 5