



US00D405993S

United States Patent [19] Caressimo

[11] **Patent Number: Des. 405,993**

[45] **Date of Patent: **Feb. 23, 1999**

[54] **TOILET PAPER ROLL HOLDER**
[76] Inventor: **Monica M. Caressimo**, 717
Timbercreek Dr., Hurst, Tex. 76054

[**] Term: **14 Years**

[21] Appl. No.: **80,827**

[22] Filed: **Dec. 17, 1997**

[51] **LOC (6) Cl.** **07-07**

[52] **U.S. Cl.** **D6/523**

[58] **Field of Search** D6/518-523; 312/34.1,
312/34.8; 221/22, 30, 33, 45, 282, 284;
211/45; 206/389, 391; D21/148, 159

[56] **References Cited**

U.S. PATENT DOCUMENTS

- D. 177,619 5/1956 Floherty .
- D. 276,361 11/1984 Hyman, Sr. .
- D. 306,244 2/1990 King D6/522
- D. 313,716 1/1991 Jacques .
- D. 314,107 1/1991 Lewis et al. .
- D. 367,388 2/1996 Essman .
- D. 371,925 7/1996 Schottenfeld D6/517
- D. 392,825 3/1998 Markelonis D6/518
- 3,051,404 8/1962 Ritchey .
- 3,552,669 1/1971 Earnest .
- 3,754,804 8/1973 Cushman .
- 3,799,467 3/1974 Bauman .
- 4,034,924 7/1977 Carlisle .
- 4,069,522 1/1978 Messmer et al. .
- 4,565,335 1/1986 Rankin D6/518 X
- 4,595,154 6/1986 Swope .

5,301,888 4/1994 Danzi .

FOREIGN PATENT DOCUMENTS

3137402 4/1983 Germany .

Primary Examiner—Brian N. Vinson
Attorney, Agent, or Firm—Richard C. Litman

[57] **CLAIM**

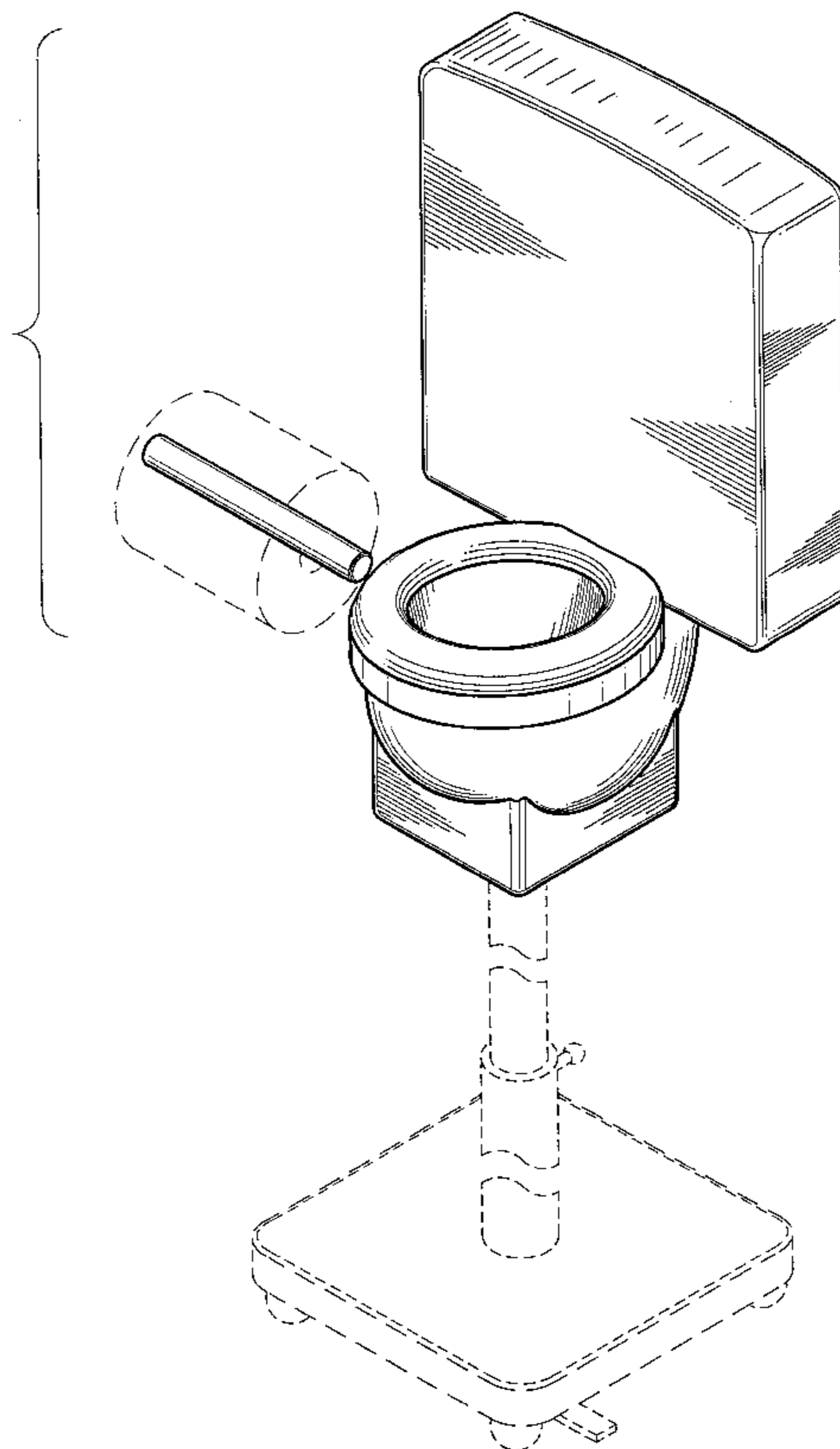
The ornamental design for a toilet paper roll holder, as shown and described.

DESCRIPTION

FIG. 1 is an environmental front elevational view of a toilet paper roll holder showing my new design; FIG. 2 is an environmental right side elevational view with the left side being a mirror image thereof; FIG. 3 is an environmental top plan elevational view thereof; FIG. 4 is an environmental bottom plan view thereof; and, FIG. 5 is a reduced scale, environmental perspective view thereof.

The undisclosed rear is plain and unornamented. The broken line showing of the toilet paper is for illustrative purposes only and forms no part of the claimed design. The broken line showing of the stand in FIG. 5 is for illustrative purposes only, merely showing one of many types of stands that can be used with the invention, and forms no part of the claimed design. The broken line showing of the toy bear in FIGS. 1-4 is for illustrative purposes only, merely showing the types of objects that can be used with the invention, and forms no part of the claimed design.

1 Claim, 5 Drawing Sheets



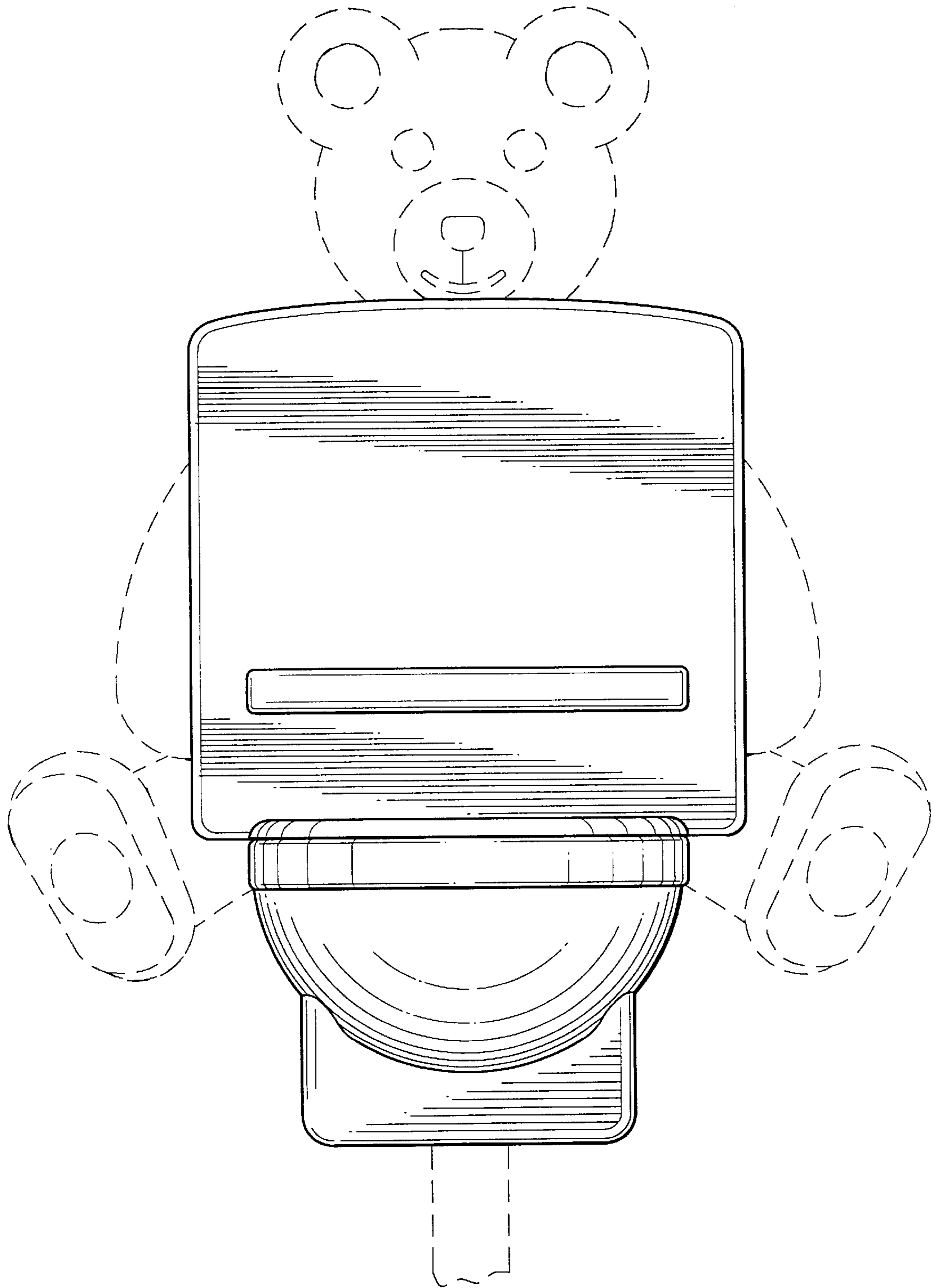


FIG. 1

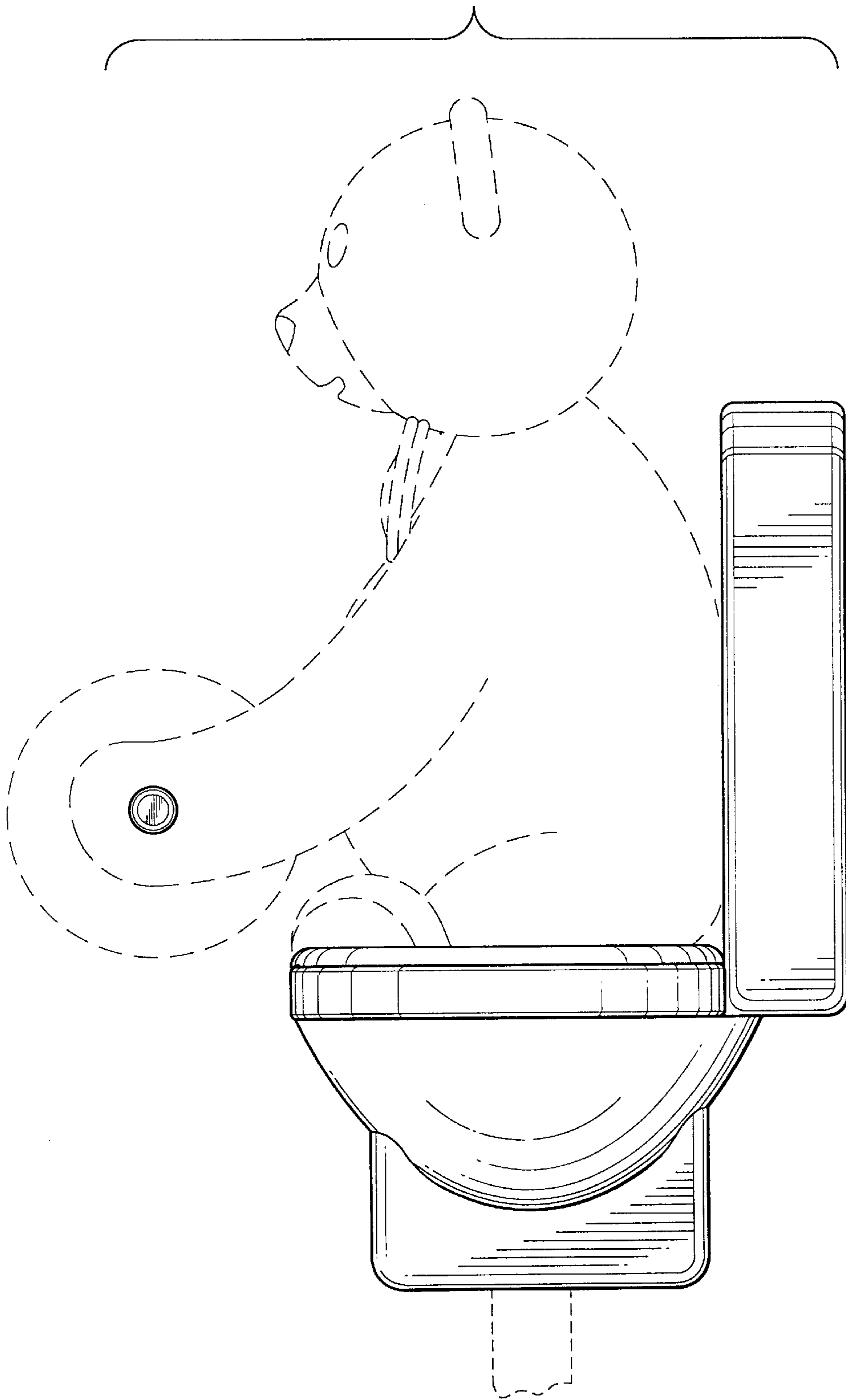


FIG. 2

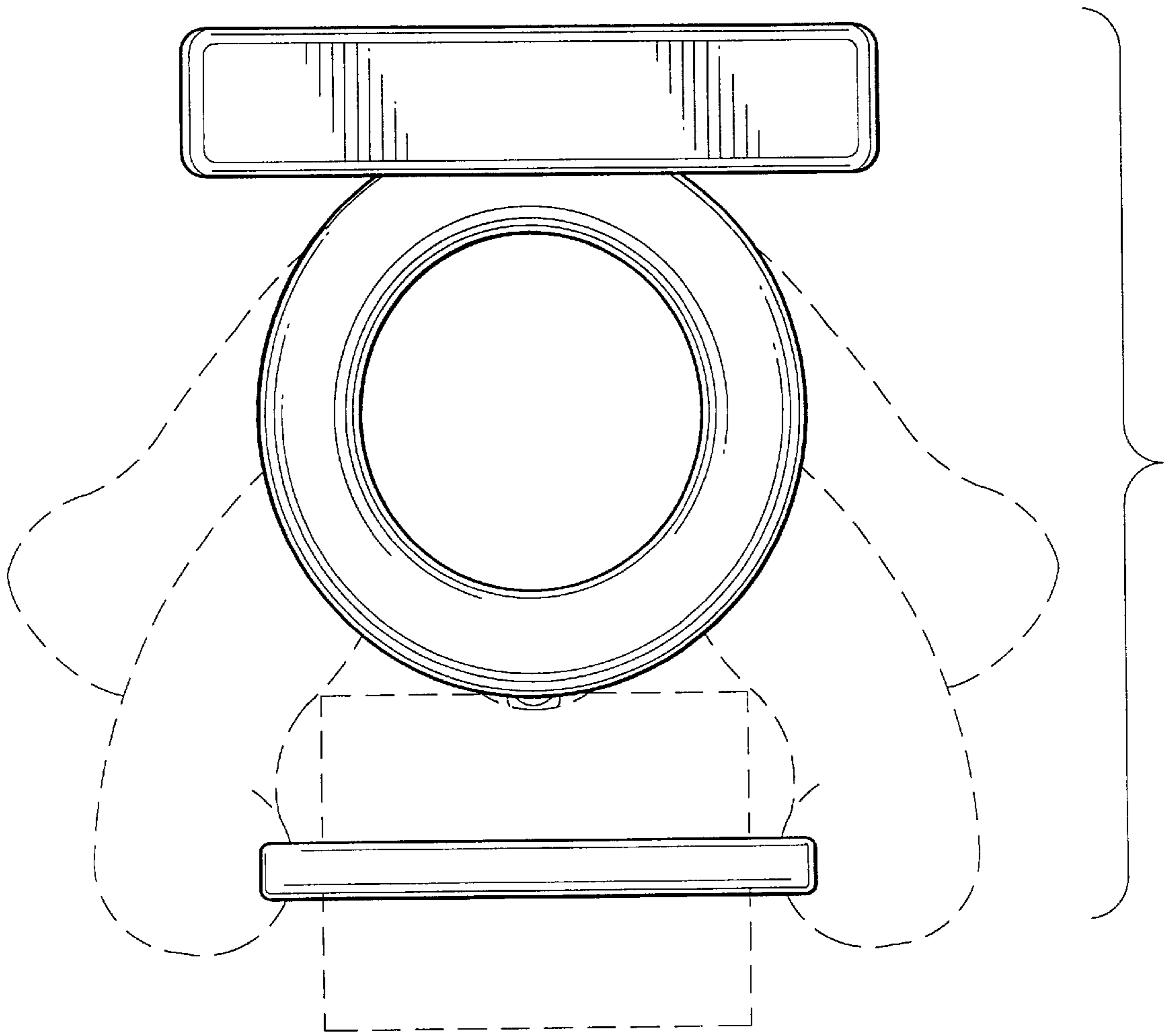


FIG. 3

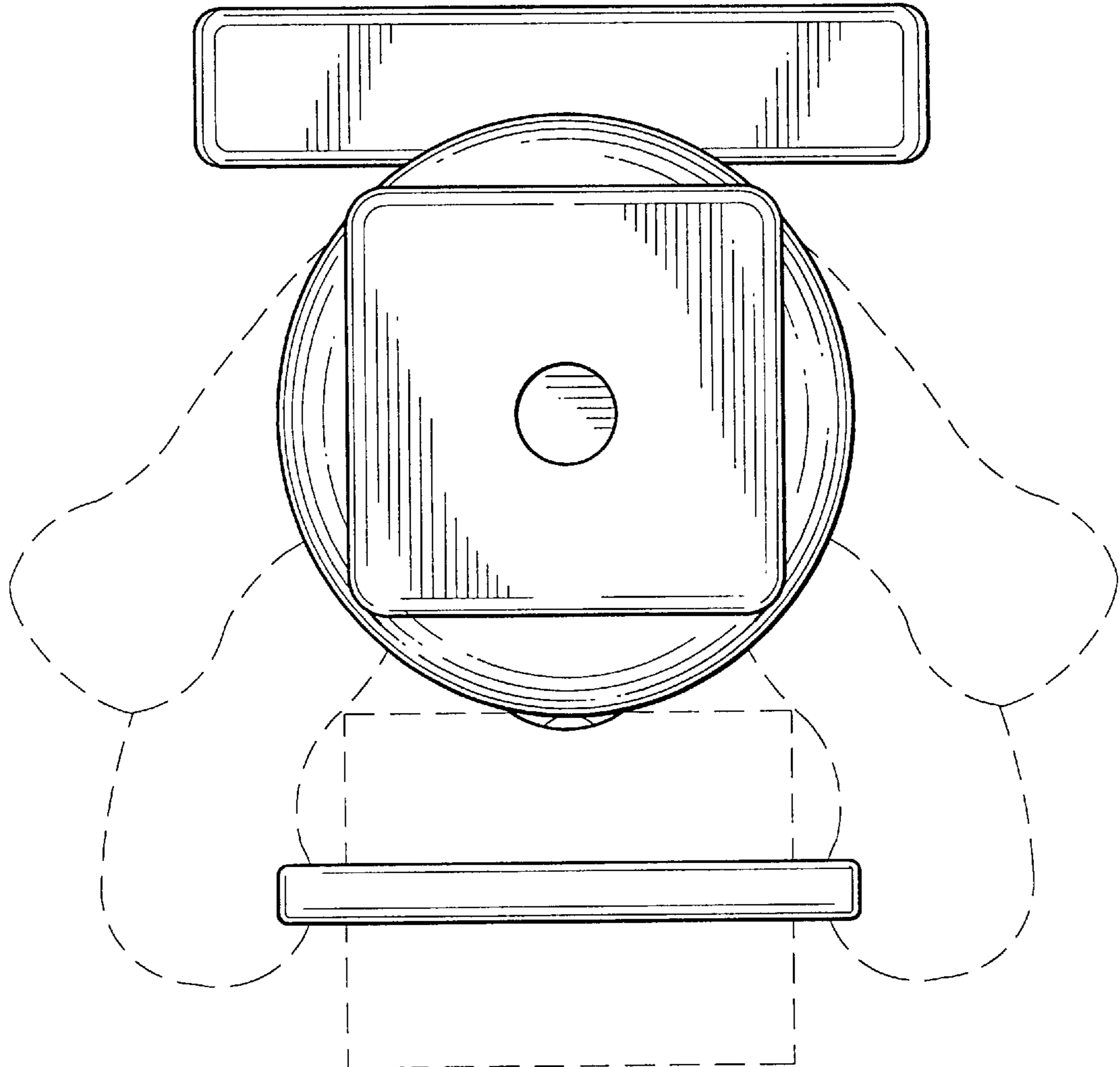


FIG. 4

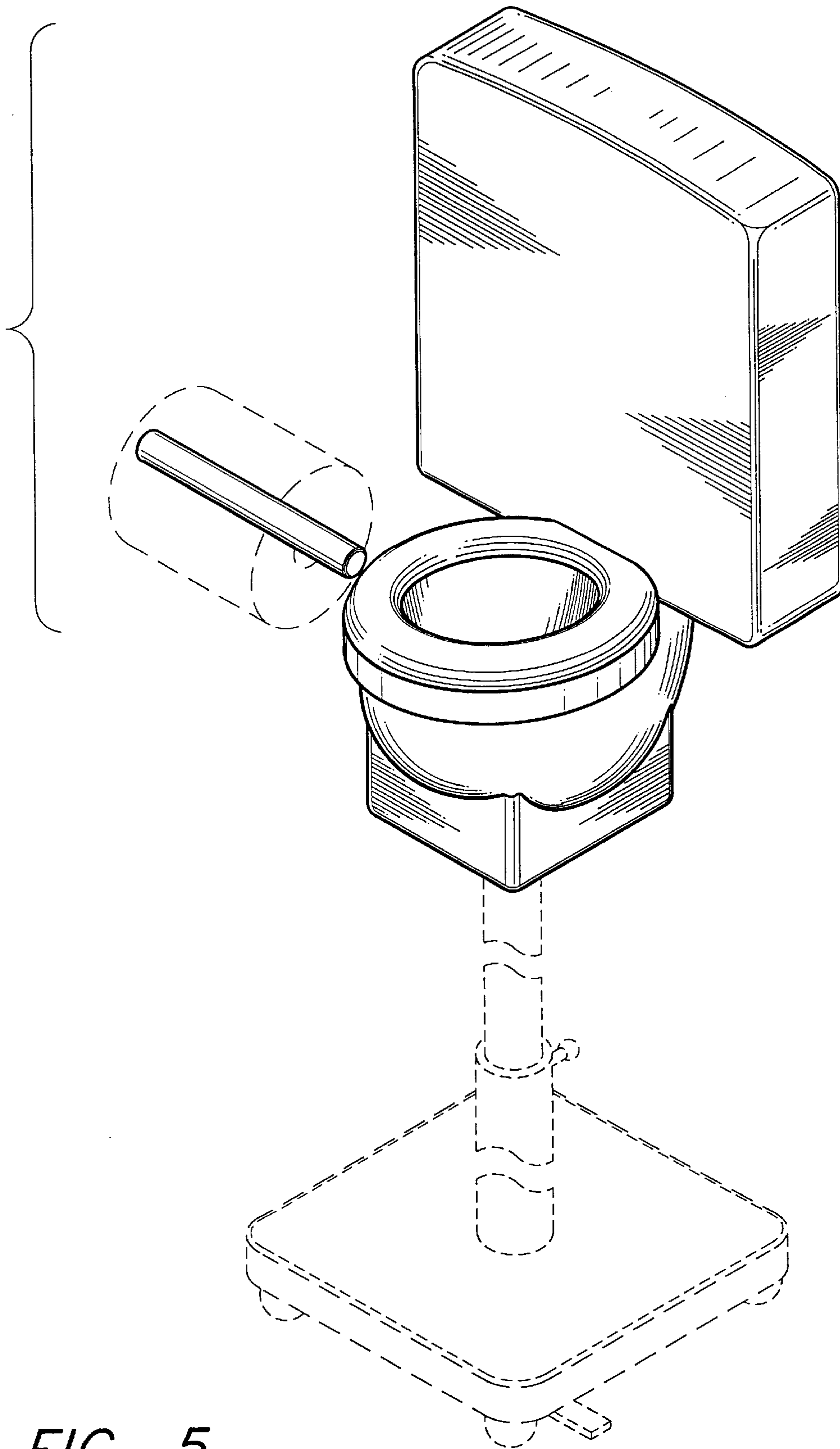


FIG. 5