



US00D405991S

United States Patent [19]

Kramer et al.

[11] Patent Number: **Des. 405,991**

[45] Date of Patent: ****Feb. 23, 1999**

[54] **COMPUTER DESK**

2,944,861 7/1960 Lessin 108/60
3,588,210 6/1971 Des Marais 312/196

[75] Inventors: **Edward J. Kramer**, Seattle, Wash.;
Robert E. Dilgard, Cincinnati, Ohio

Primary Examiner—Carmen H. Vales-Lado
Attorney, Agent, or Firm—Jensen & Puntigam, P.S.

[73] Assignee: **Synsor Corp.**, Cincinnati, Ohio

[57] CLAIM

[**] Term: **14 Years**

The ornamental design for a computer desk, as shown and described.

[21] Appl. No.: **80,862**

DESCRIPTION

[22] Filed: **Dec. 16, 1997**

[51] **LOC (6) Cl.** **06-04**

[52] **U.S. Cl.** **D6/484; D6/421; D6/427**

[58] **Field of Search** D6/421-428, 482,
D6/484; 312/194-196; 108/59, 60

FIG. 1 is a perspective view of a computer desk showing our new design;

FIG. 2 is a front elevational view thereof;

FIG. 3 is a left side elevational view thereof;

FIG. 4 is a right side elevational view thereof;

FIG. 5 is a rear elevational view thereof;

FIG. 6 is a bottom plan view thereof;

FIG. 7 is a perspective view of a second embodiment of a computer desk shown in FIG. 1;

FIG. 8 is a front elevational view thereof;

FIG. 9 is a left side elevational view thereof;

FIG. 10 is a right side elevational view thereof;

FIG. 11 is a rear elevational view thereof; and,

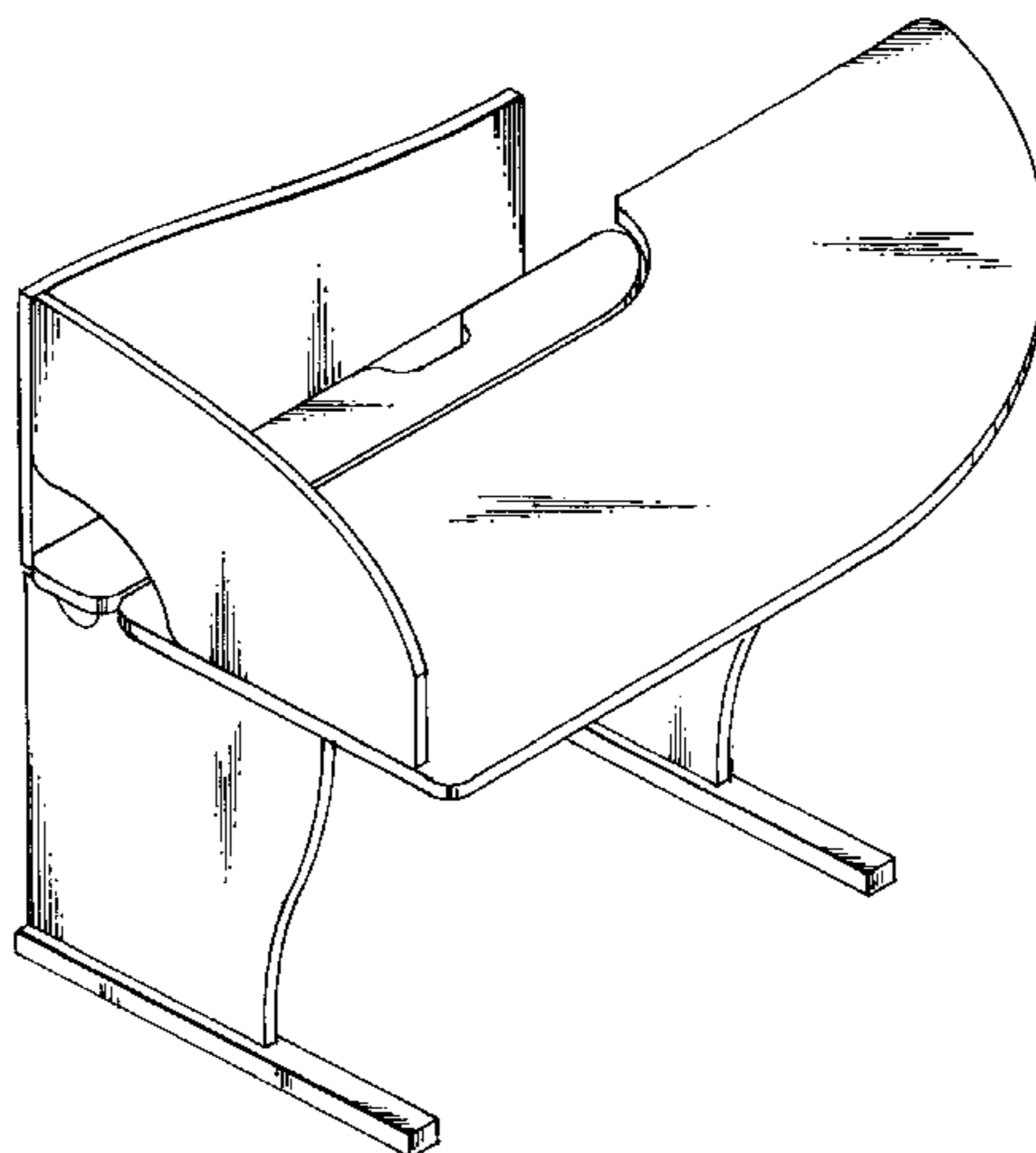
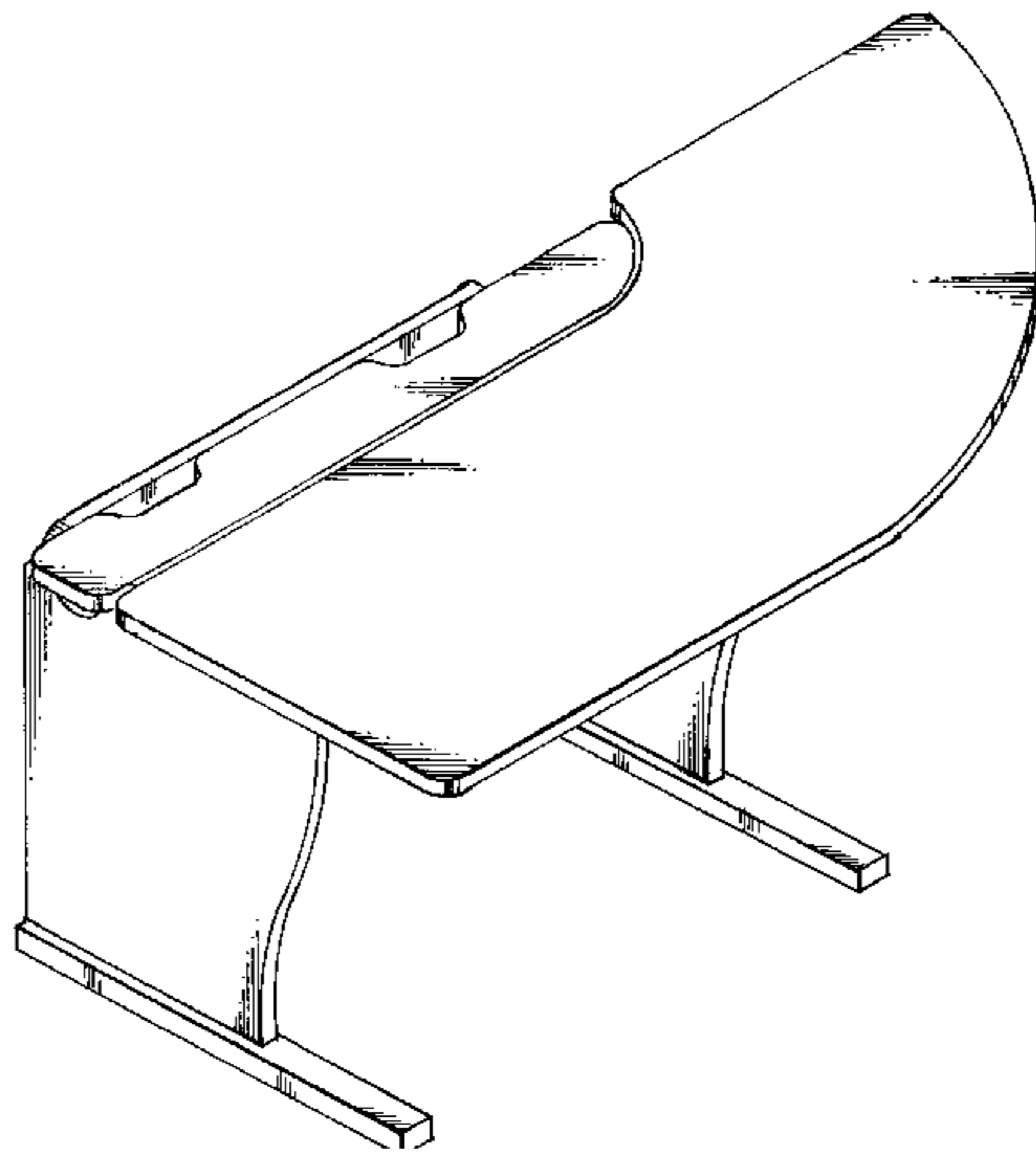
FIG. 12 is a bottom plan view thereof.

[56] References Cited

U.S. PATENT DOCUMENTS

D. 325,833	5/1992	Saotome	D6/484
D. 334,103	3/1993	Koguma	D6/484
D. 374,787	10/1996	Stoddard et al.	D6/484
D. 388,981	1/1998	Gongora et al.	D6/482
D. 390,399	2/1998	Camilo	D6/482 X
D. 391,106	2/1998	Camilo	D6/482 X
2,942,924	6/1960	Stangert	108/60

1 Claim, 4 Drawing Sheets



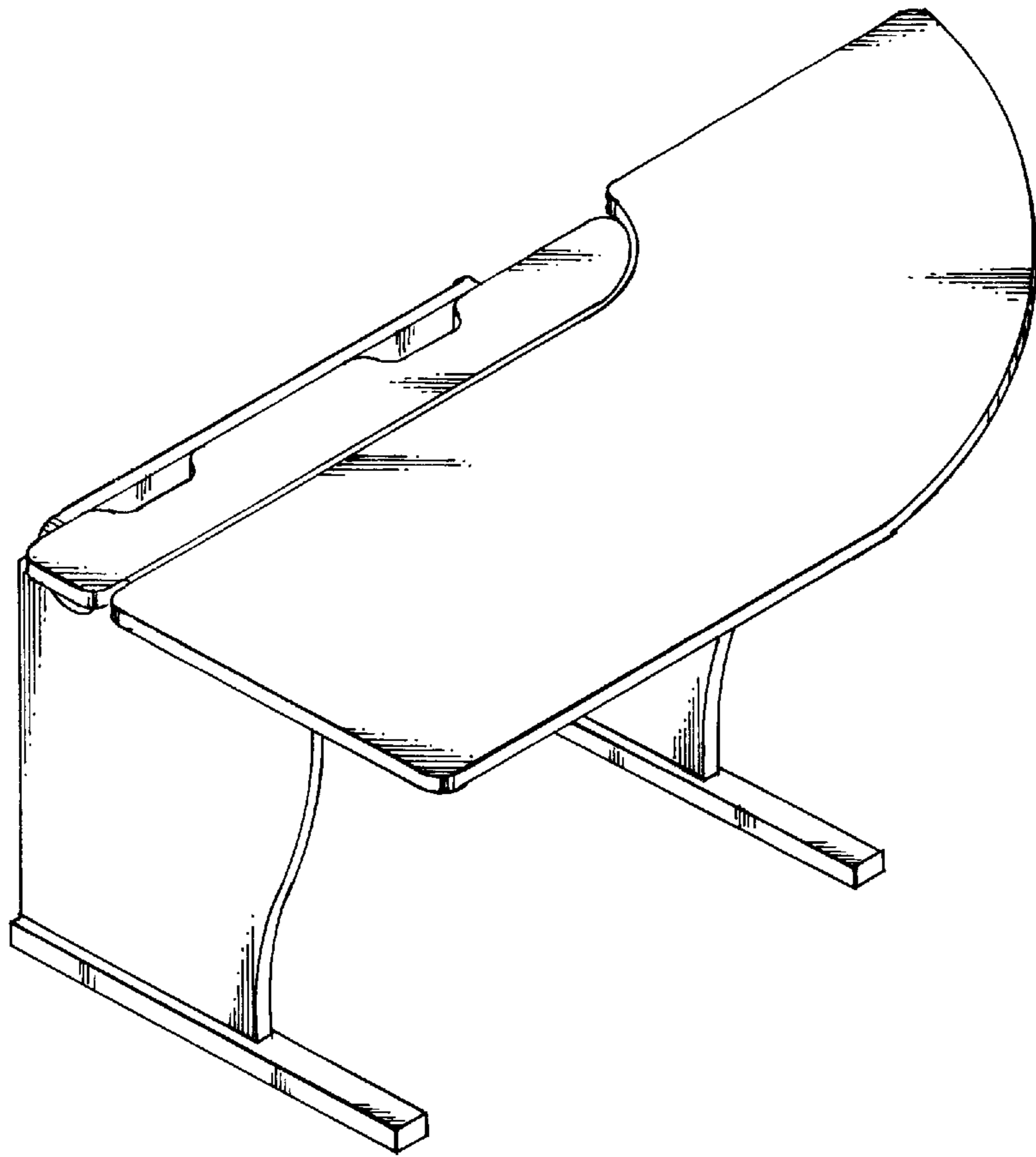


FIG. 1

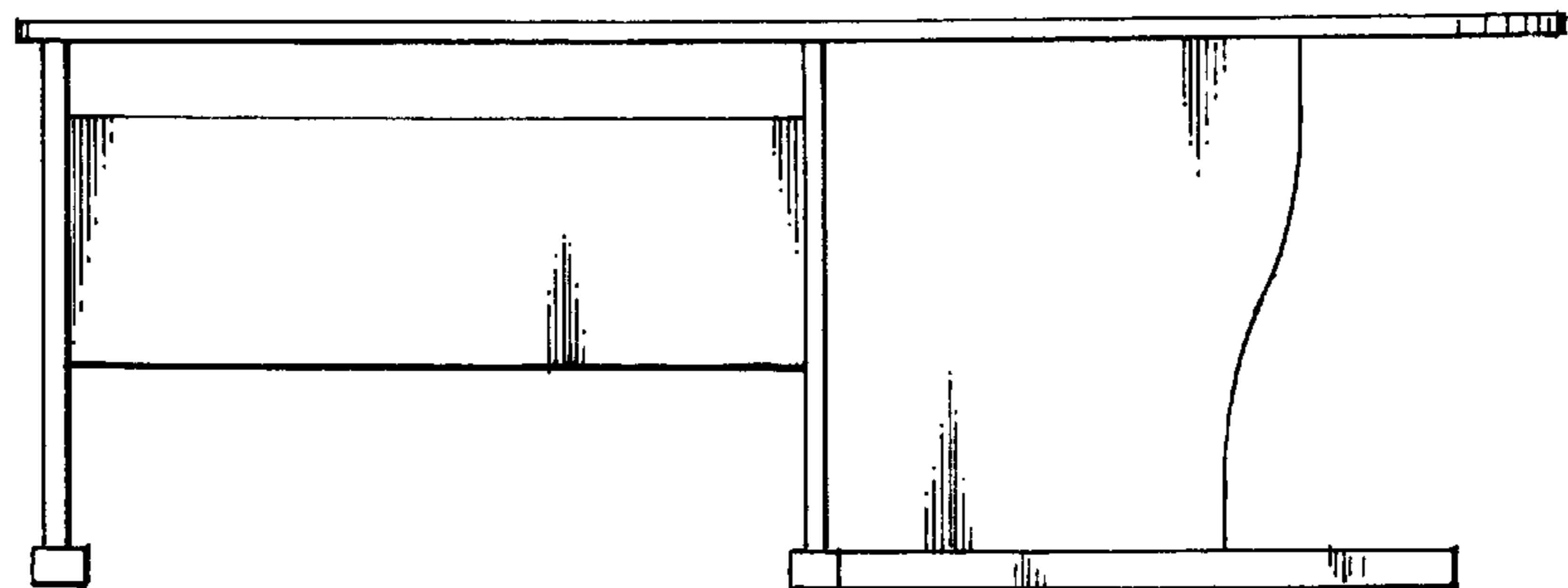


FIG. 2

FIG. 3



FIG. 4

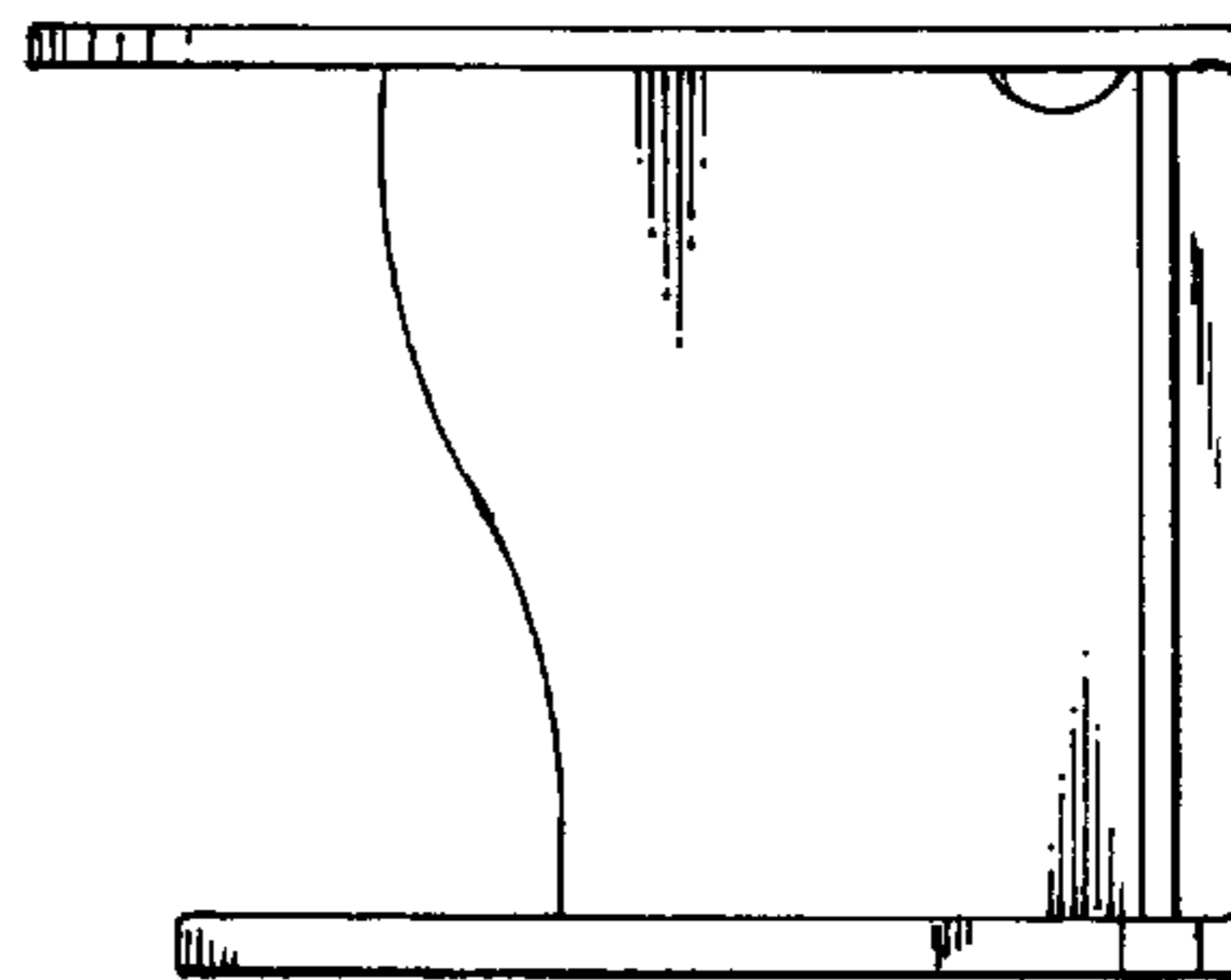


FIG. 5

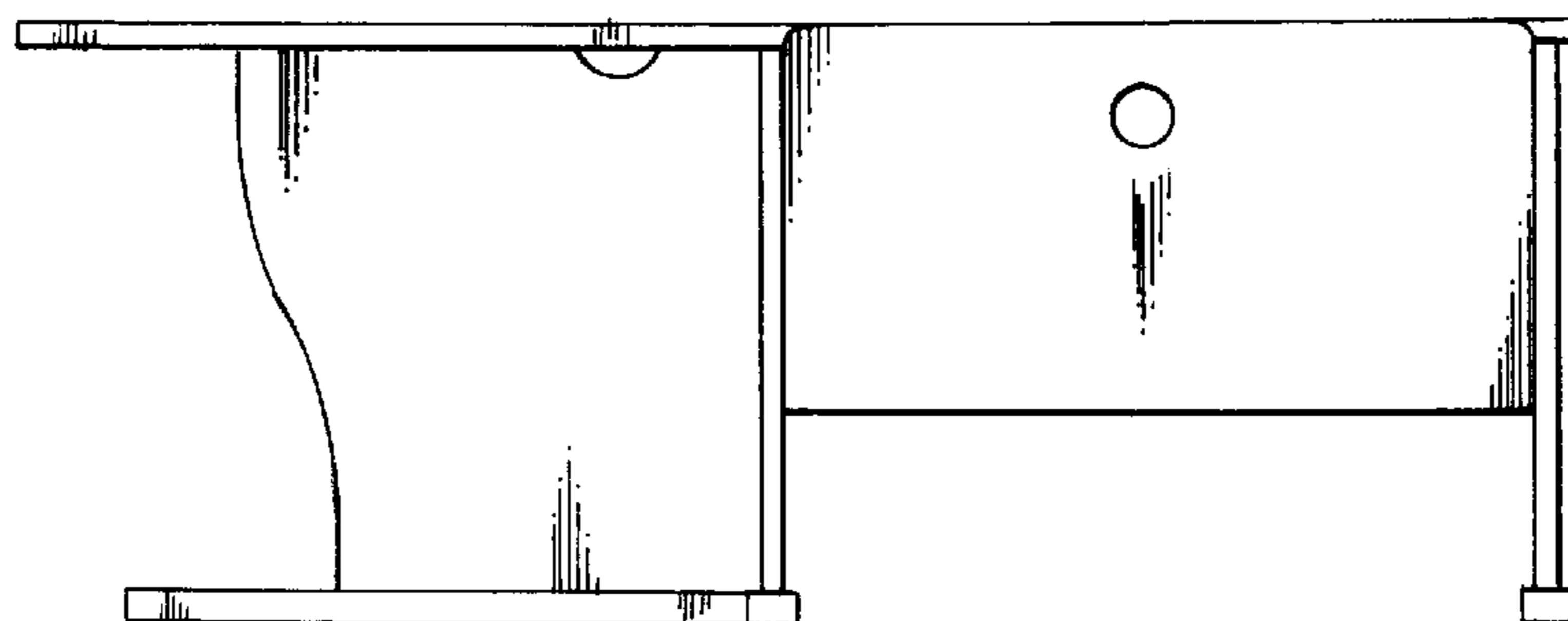
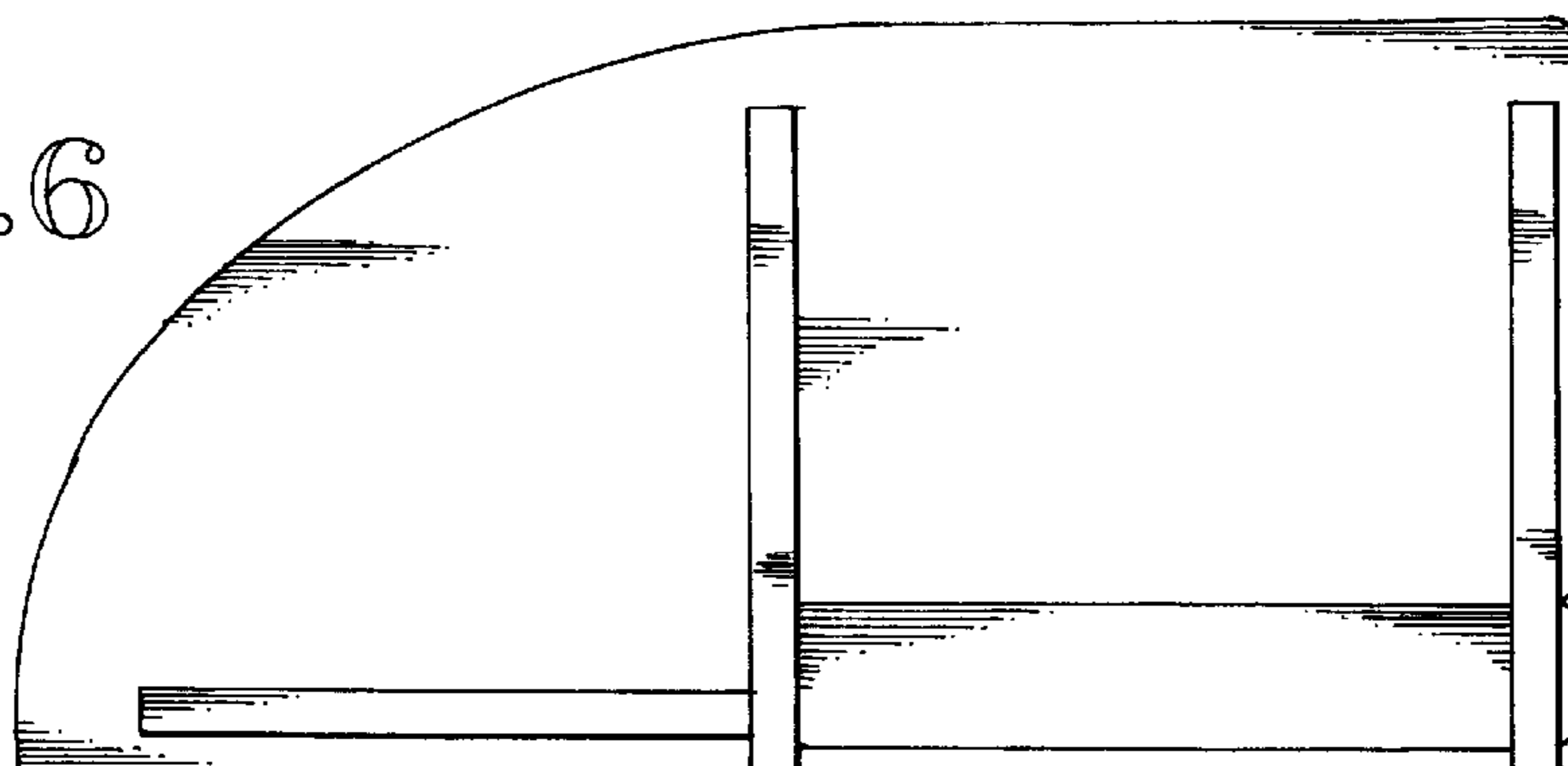


FIG. 6



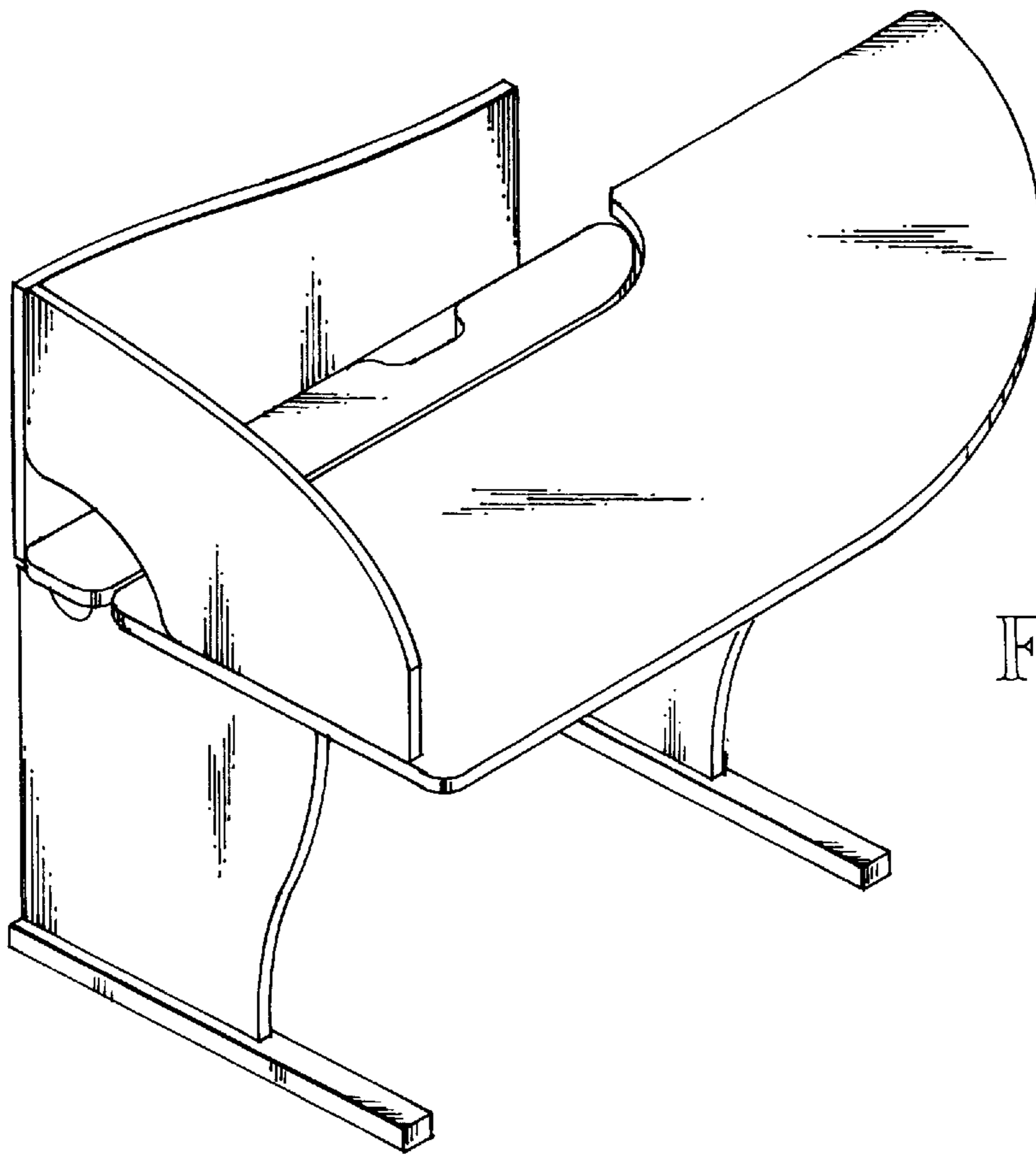


FIG. 7

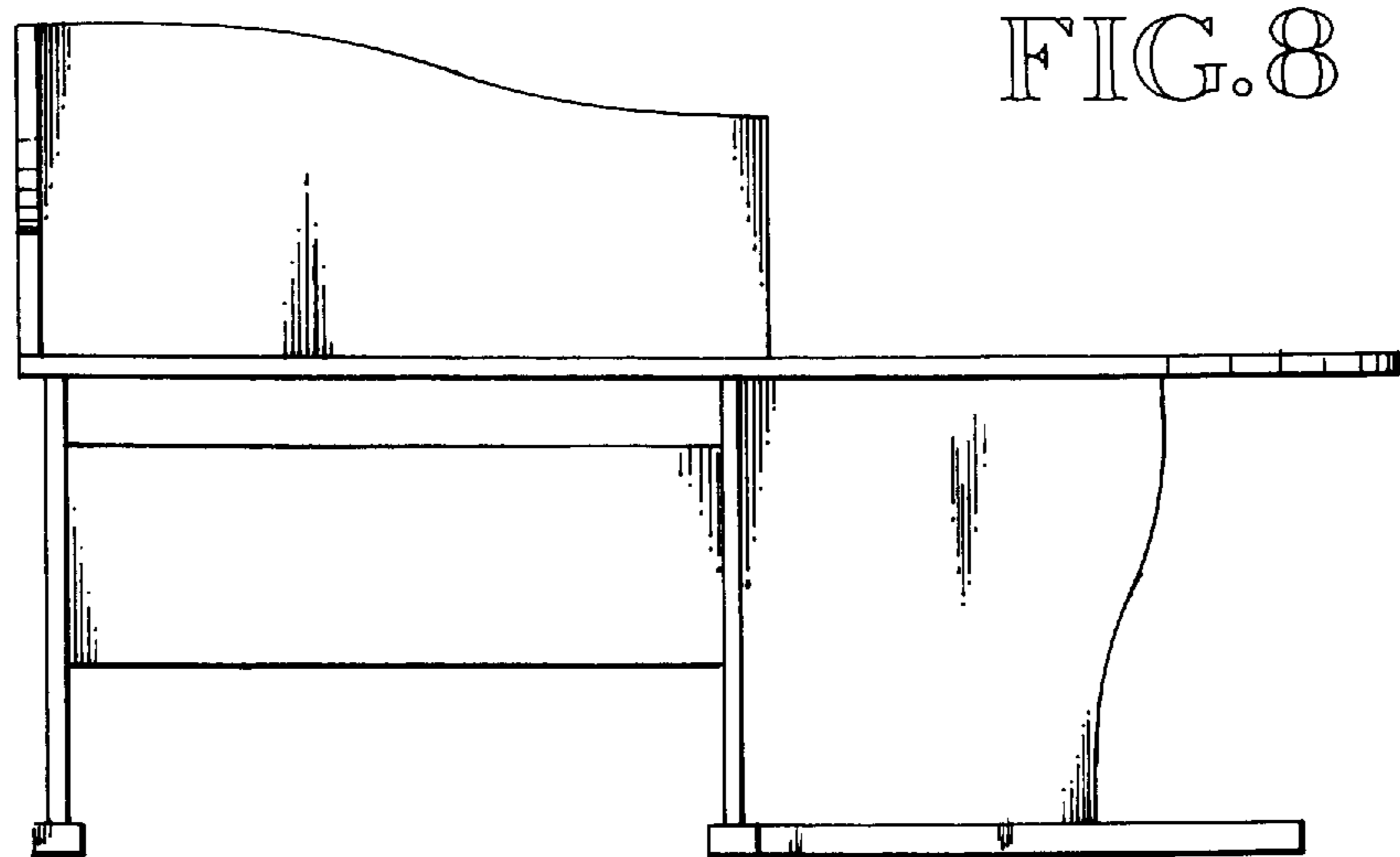


FIG. 8

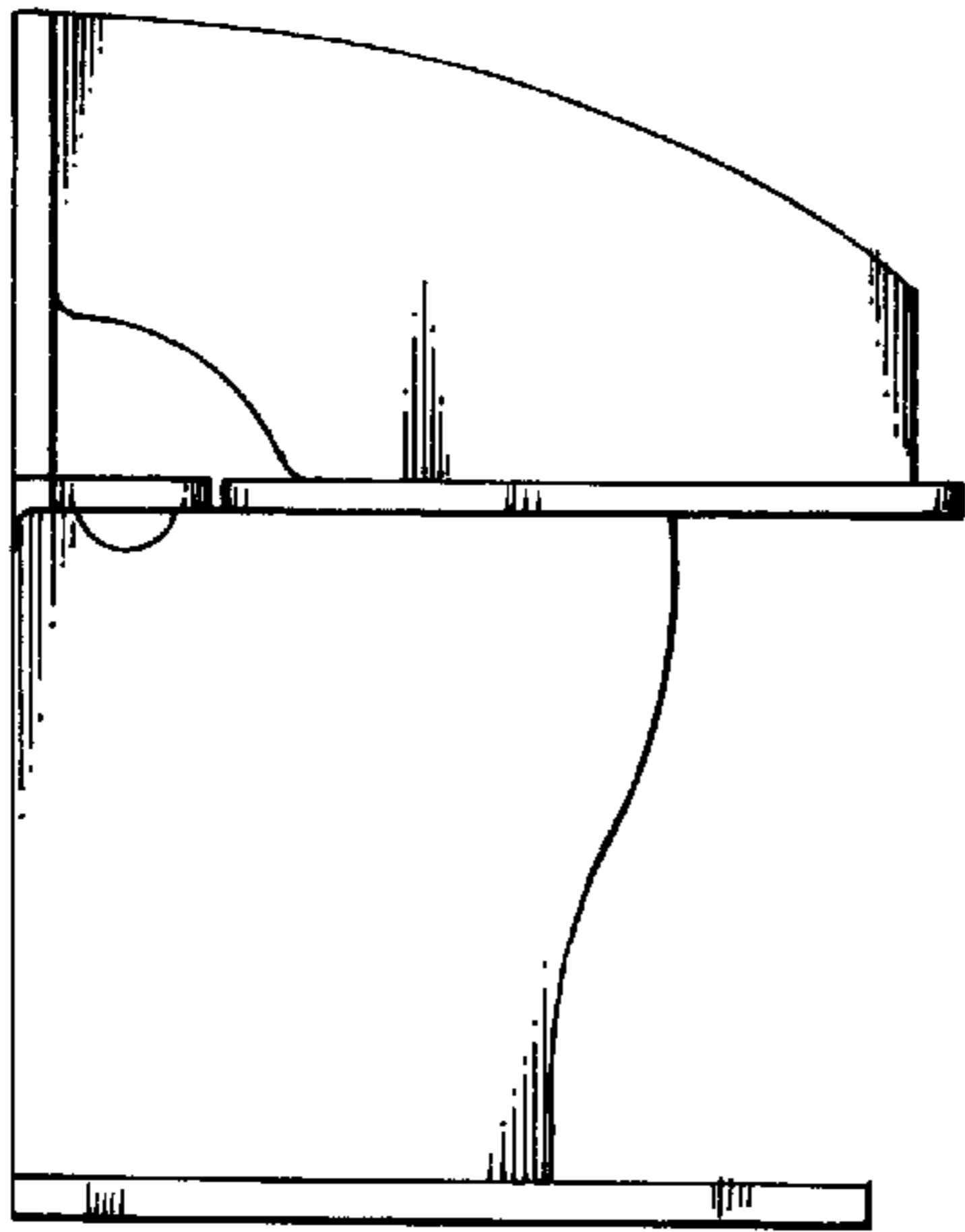


FIG. 9

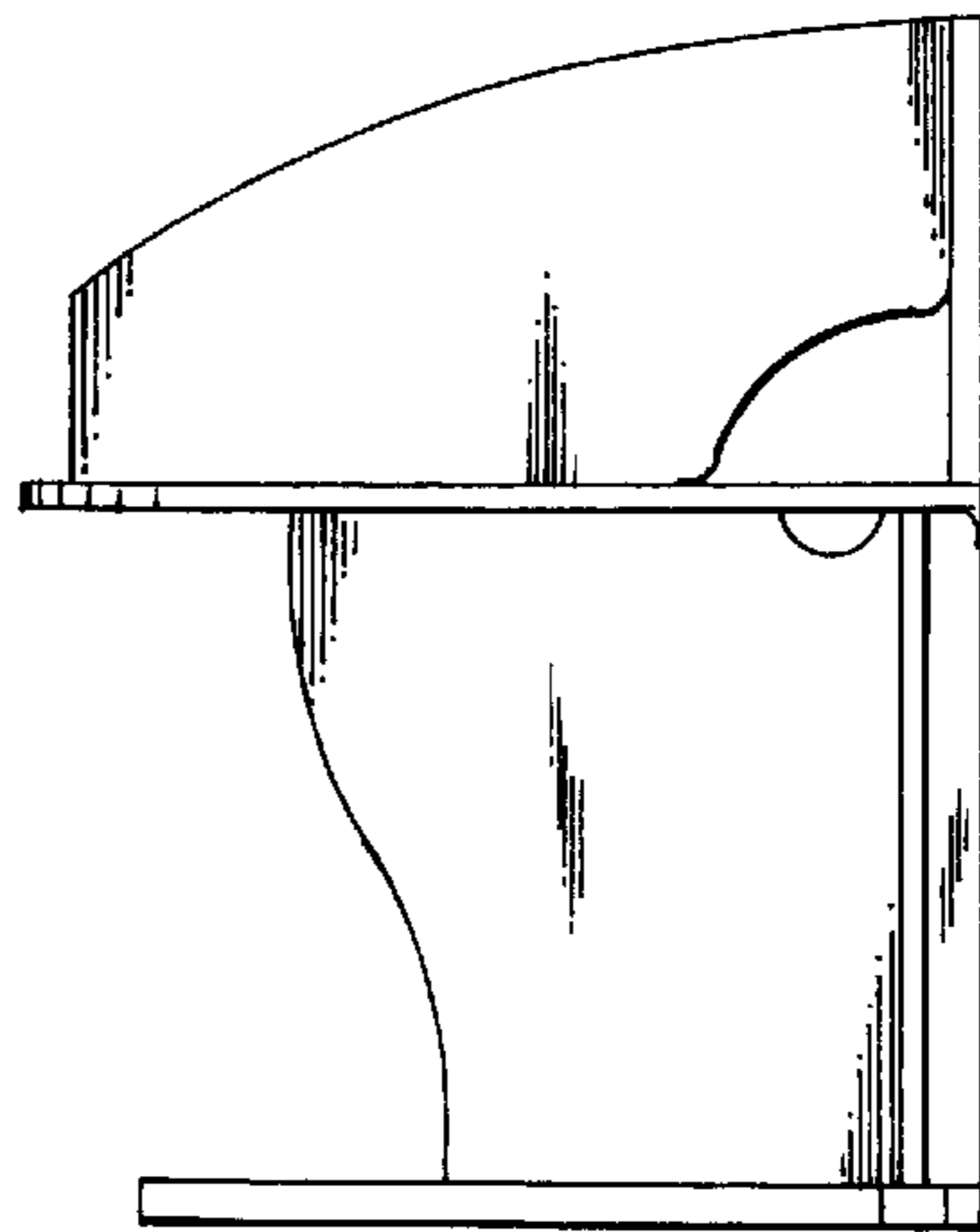


FIG. 10

FIG. 11

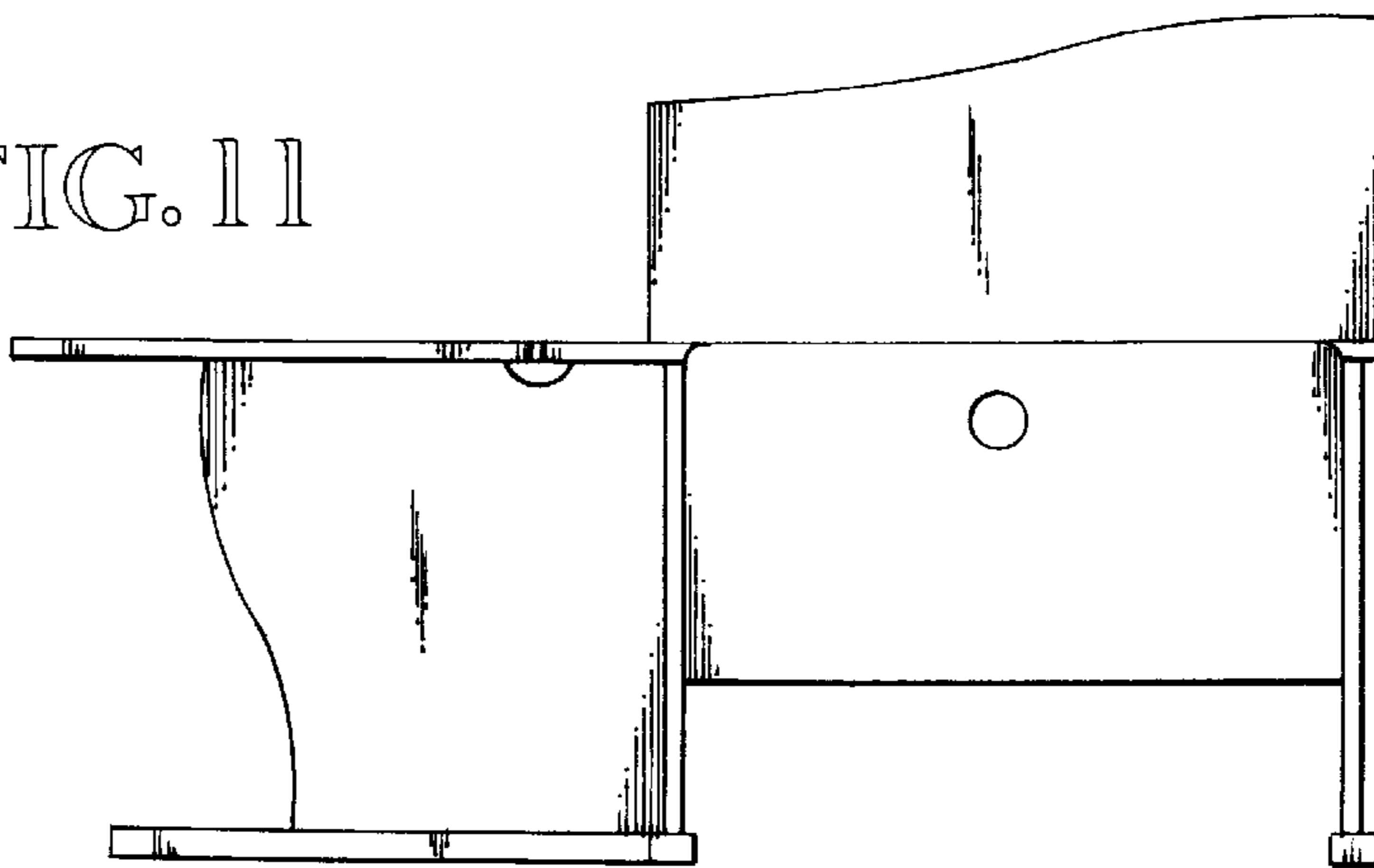


FIG. 12

