



US00D405988S

United States Patent [19] Wohlford

[11] **Patent Number: Des. 405,988**

[45] **Date of Patent: **Feb. 23, 1999**

[54] **MINI STEREO SYSTEM STAND**

[75] **Inventor: James G. Wohlford**, Minneapolis, Minn.

[73] **Assignee: Decade Industries, Inc.**, Arden Hills, Minn.

[**] **Term: 14 Years**

[21] **Appl. No.: 86,957**

[22] **Filed: Apr. 23, 1998**

[51] **LOC (6) Cl. 06-04**

[52] **U.S. Cl. D6/474**

[58] **Field of Search** D6/474-479, 407, D6/626, 629, 630; 108/59, 60, 90-93; D14/224; 211/40, 126.1, 128.1, 133.1, 134, 135, 153; 312/223.1; 248/158

[56] **References Cited**

U.S. PATENT DOCUMENTS

D. 133,436 8/1942 Gunder D6/474

D. 141,319 5/1945 Wheary D6/474
D. 277,439 2/1985 Leath D6/474
D. 318,280 7/1991 Sumrell et al. D6/477 X
D. 326,377 5/1992 Nagel D6/477 X
D. 342,172 12/1993 Schonhofen D6/474
2,522,748 9/1950 Claude 108/59 X

Primary Examiner—James Gandy
Assistant Examiner—Linda Brooks
Attorney, Agent, or Firm—Kinney & Lange, P.A.

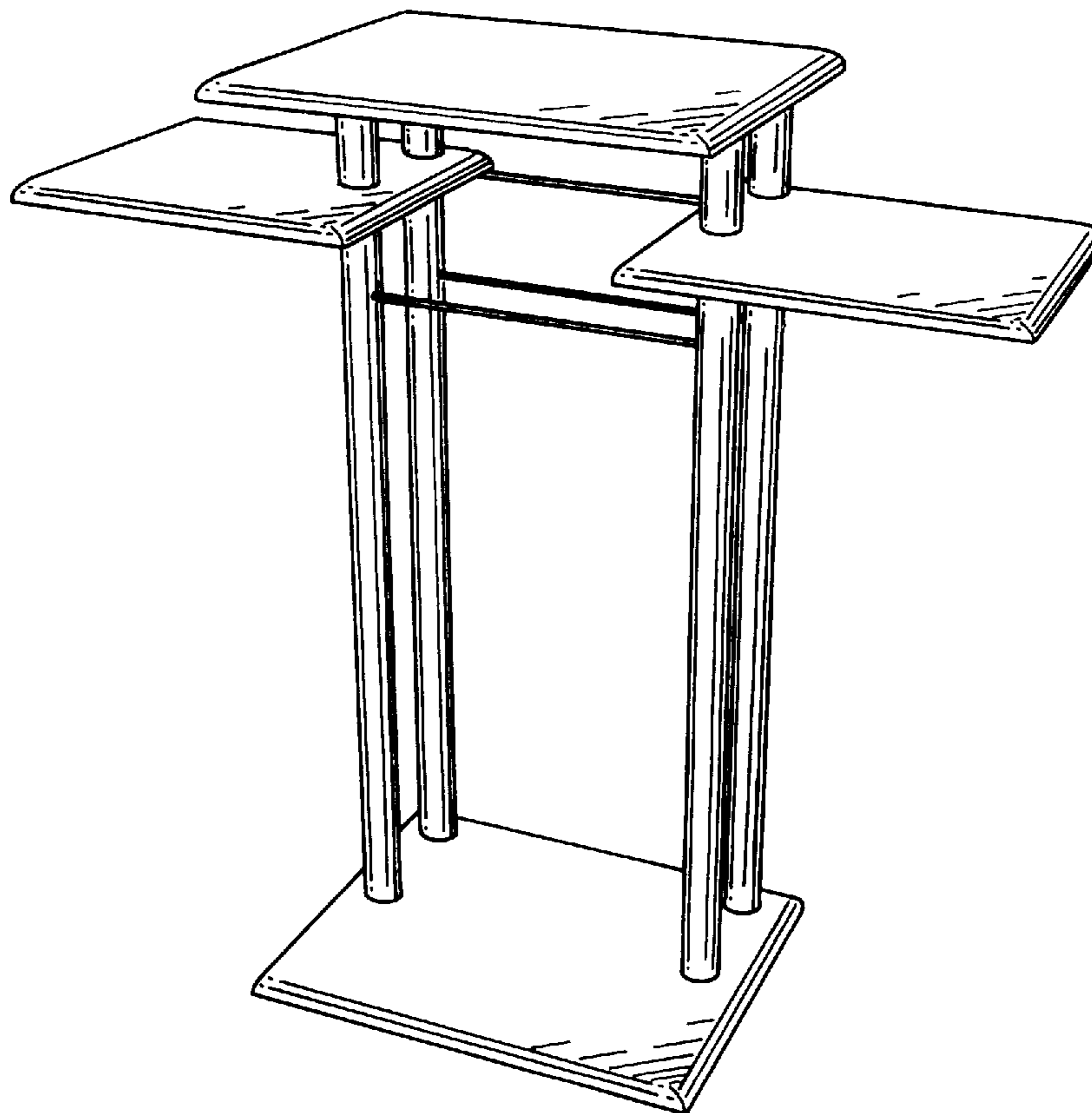
[57] **CLAIM**

The ornamental design for a mini stereo system stand, as shown and described.

DESCRIPTION

FIG. 1 is a perspective view;
FIG. 2 is a top plan view;
FIG. 3 is a front elevational view;
FIG. 4 is a left side view;
FIG. 5 is a right side view;
FIG. 6 is a rear elevational view; and,
FIG. 7 is a bottom plan view.

1 Claim, 3 Drawing Sheets



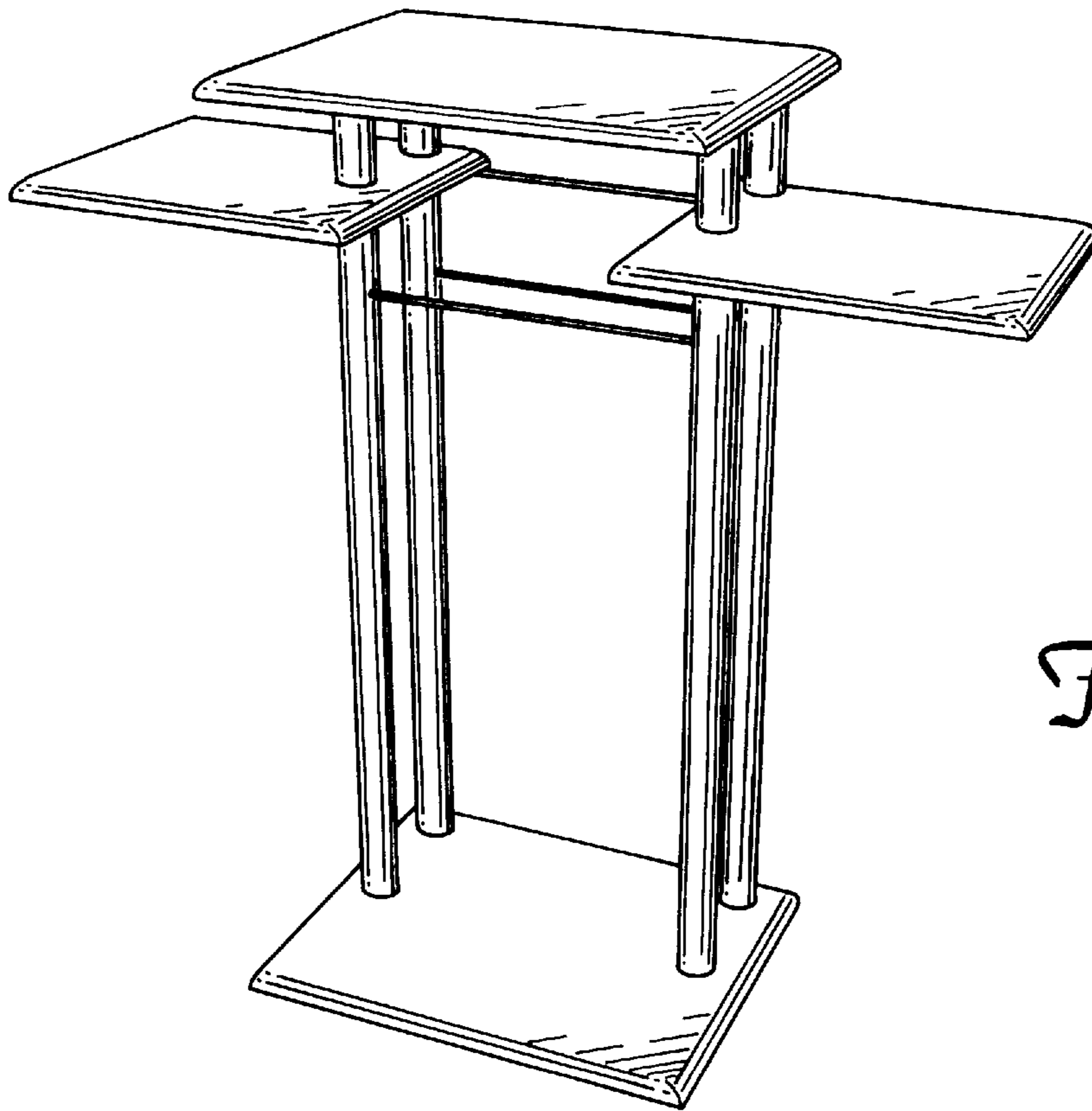


Fig. 1

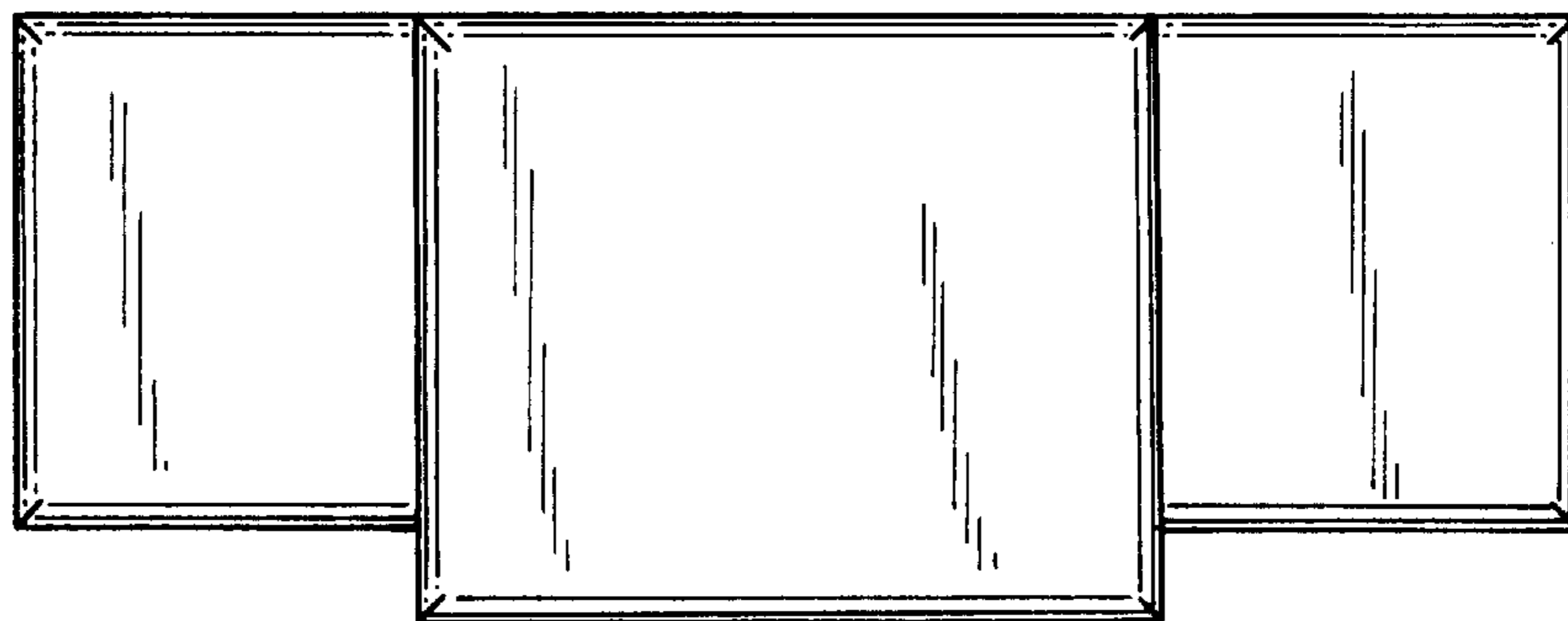


Fig. 2

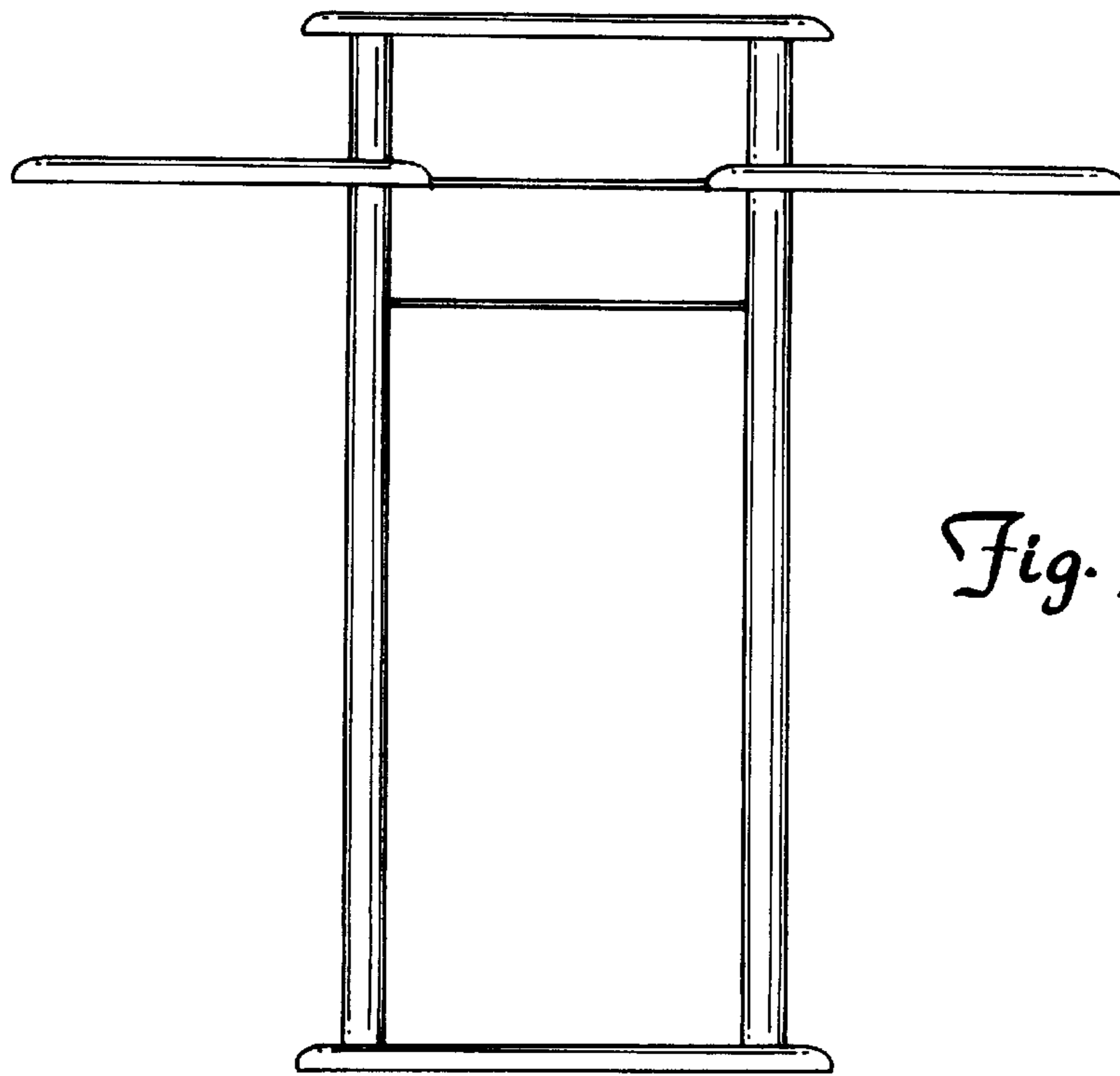


Fig. 3

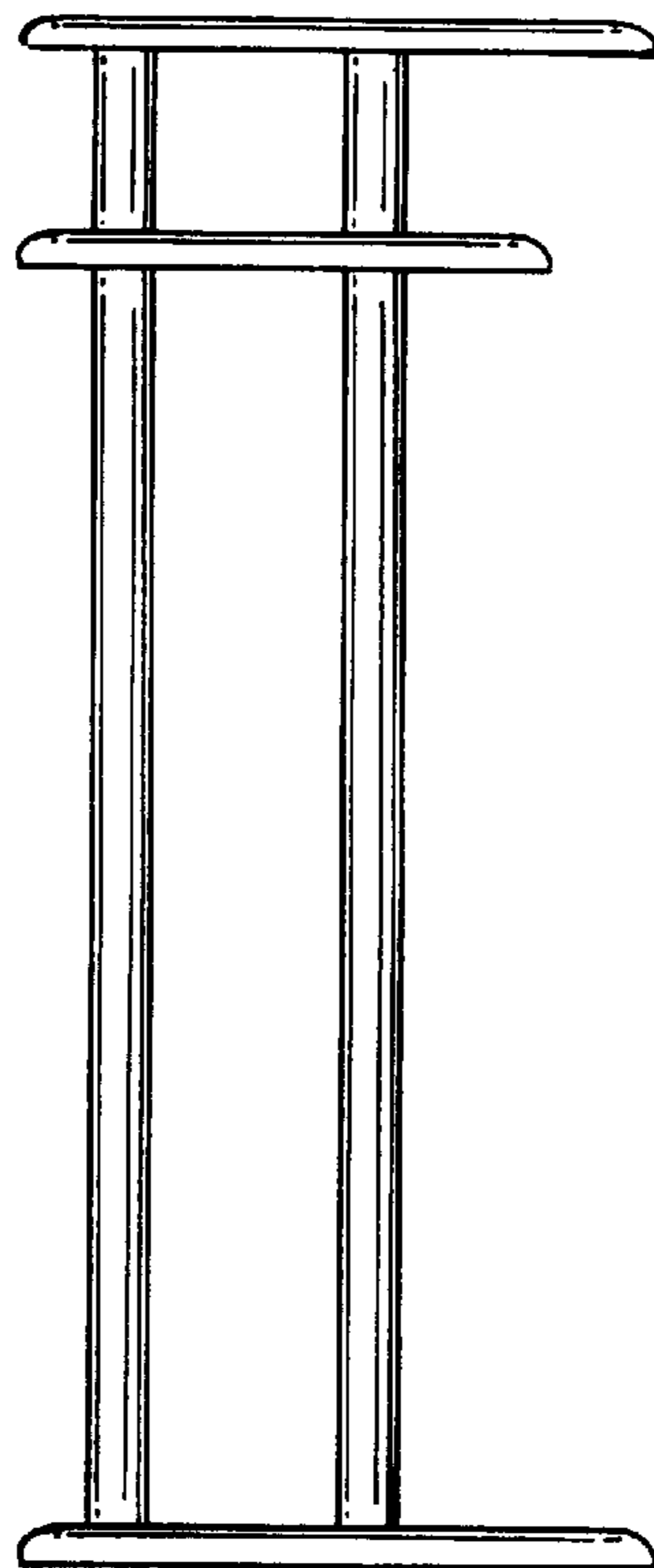


Fig. 4

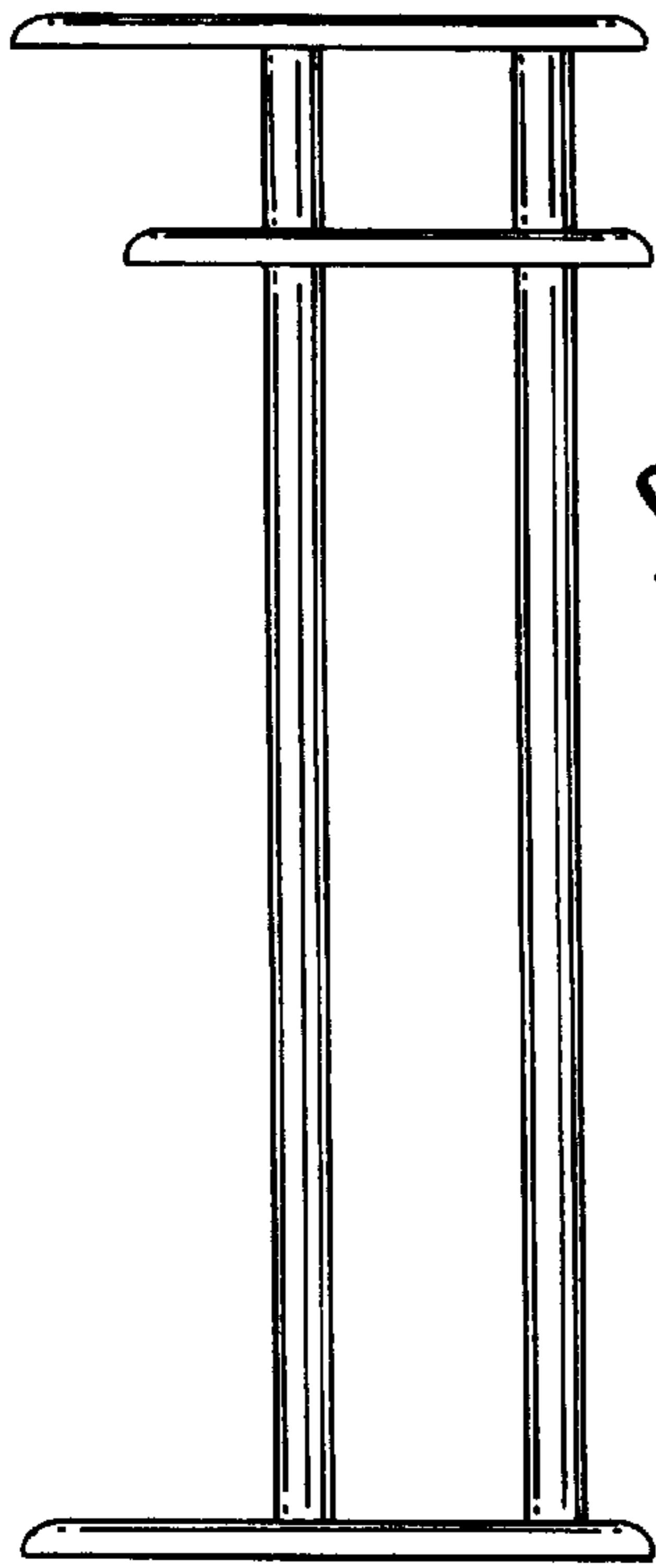


Fig. 5

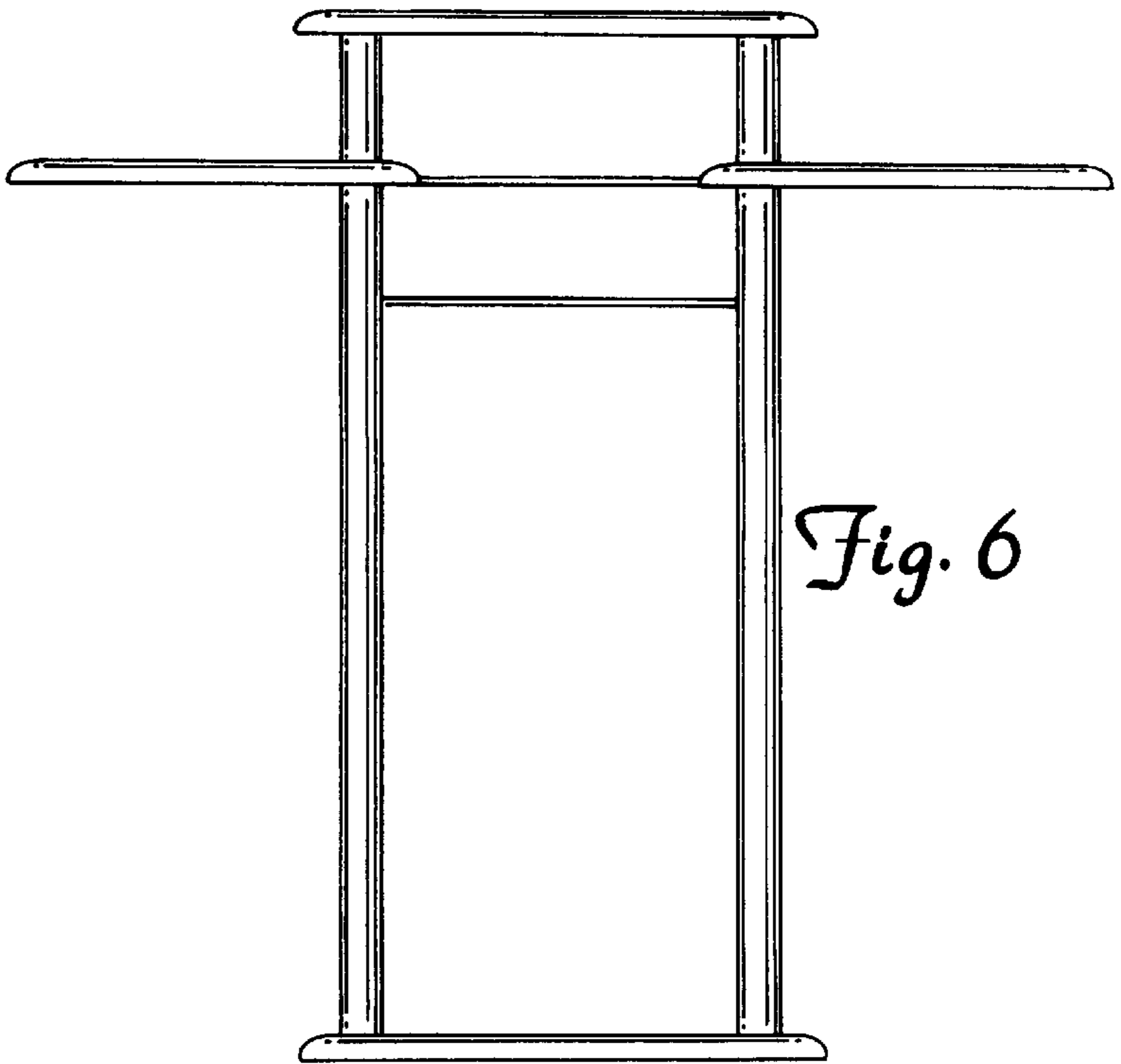


Fig. 6

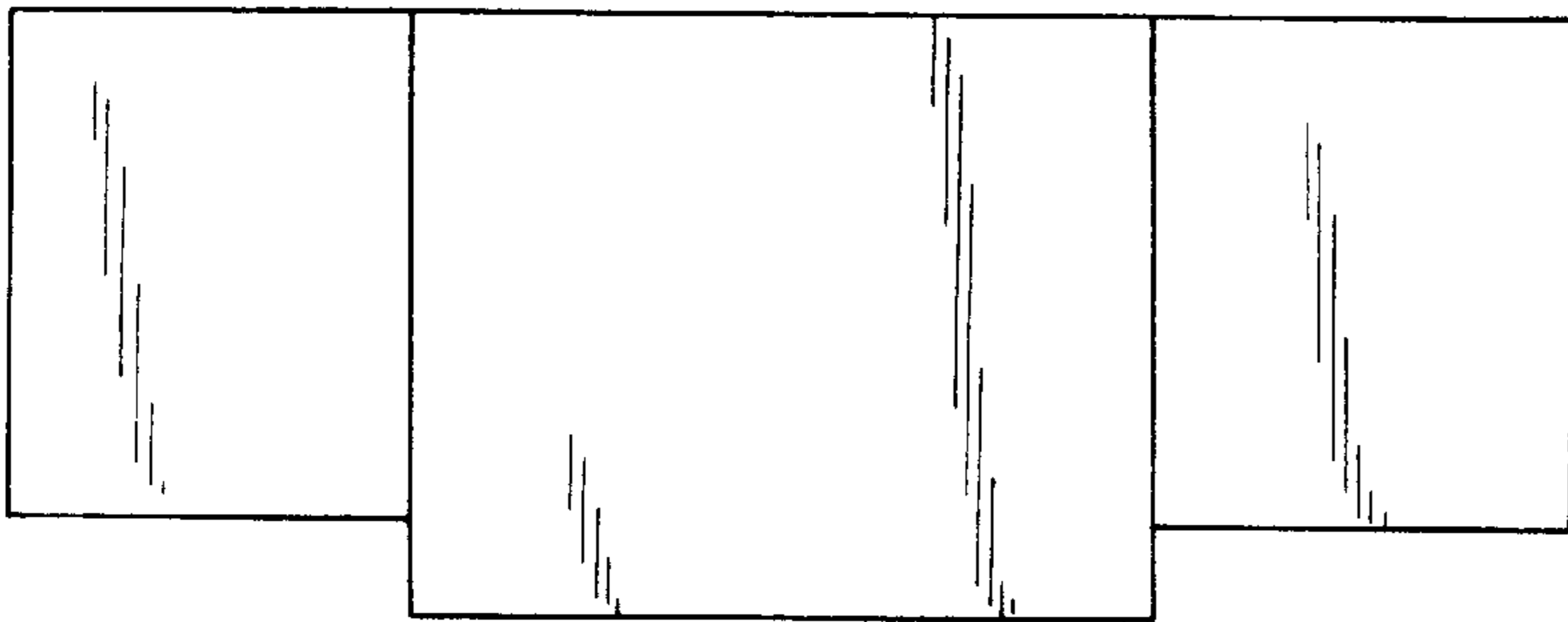


Fig. 7