



US00D405985S

United States Patent [19]
Zaidman

[11] **Patent Number: Des. 405,985**

[45] **Date of Patent: **Feb. 23, 1999**

[54] **LINGERIE CHEST**

[75] Inventor: **Paul Zaidman**, Winnipeg, Canada

[73] Assignee: **Palliser Furniture, Ltd.**, Winnipeg, Canada

[**] Term: **14 Years**

[21] Appl. No.: **67,192**

[22] Filed: **Feb. 28, 1997**

[51] **LOC (6) Cl.** **06-04**

[52] **U.S. Cl.** **D6/445**

[58] **Field of Search** D6/432-448; 312/114,
312/204

Ethan Allen The Treasury of America Interiors, p. 353; item #10-5354 far left third from top, 1979.

“Collector’s Cherry” by Thomasville, p. 19; lingerie chest on page, 1990.

Primary Examiner—Carmen H Vales-Lado
Attorney, Agent, or Firm—Pollock, Vande Sande & Amernick

[57] **CLAIM**

The ornamental design for a lingerie chest, as shown and described.

DESCRIPTION

FIG. 1 is a top plan view of a lingerie chest showing my new design;

FIG. 2 is a front elevational view thereof; and,

FIG. 3 is a left side elevational view, as seen when in use, the right side being a mirror image thereof.

[56] **References Cited**

U.S. PATENT DOCUMENTS

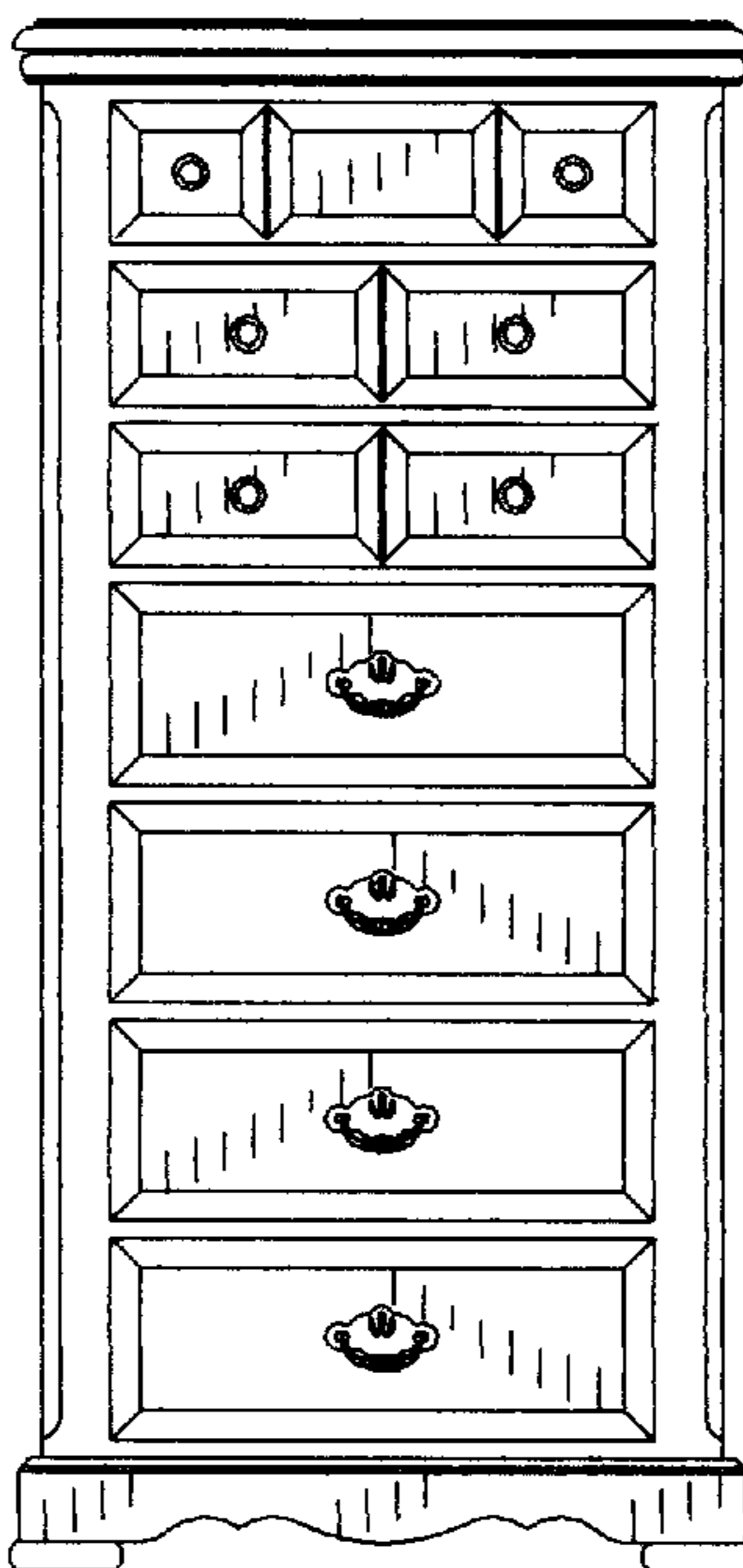
D. 79,095 7/1929 Moretto D6/447

OTHER PUBLICATIONS

The Moosehead Collection, p. 20; lingerie chest #61, top right on page, Mar. 1973.

Series 50 Maple Bedroom Collection by Sterling House, Chest #5054 bottom right on page, Mar. 1973.

1 Claim, 1 Drawing Sheet



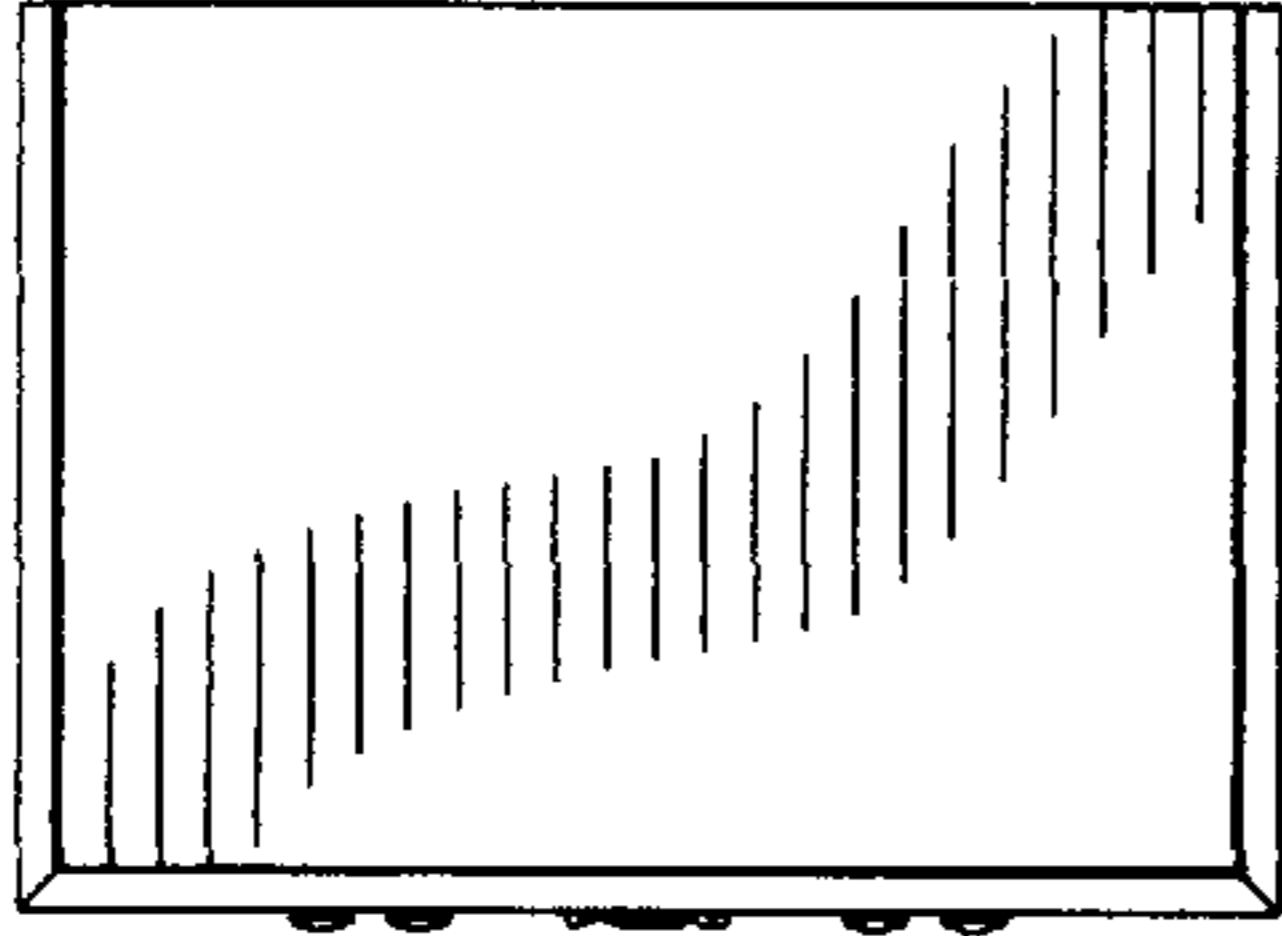


FIG. 1

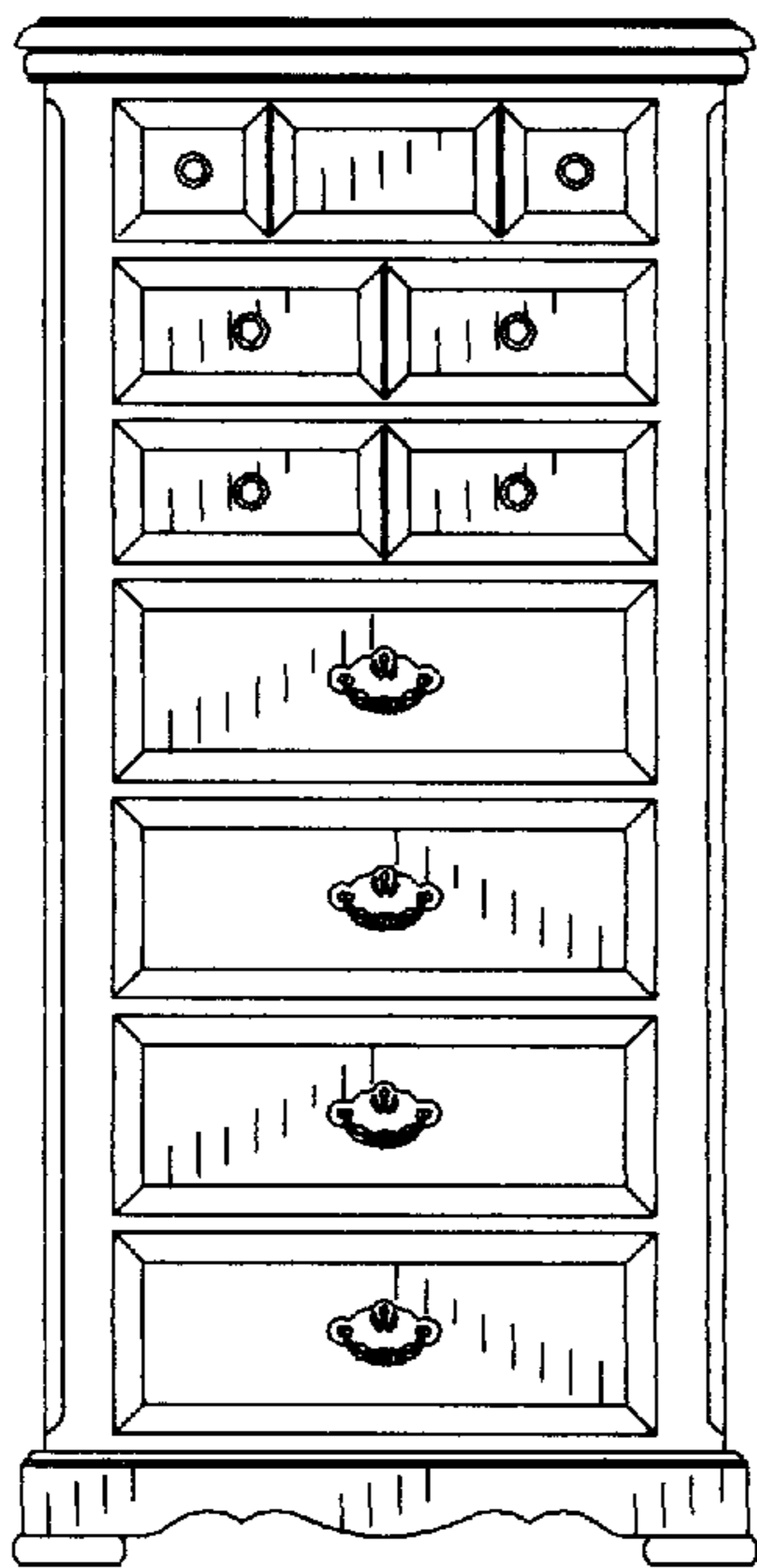


FIG. 2

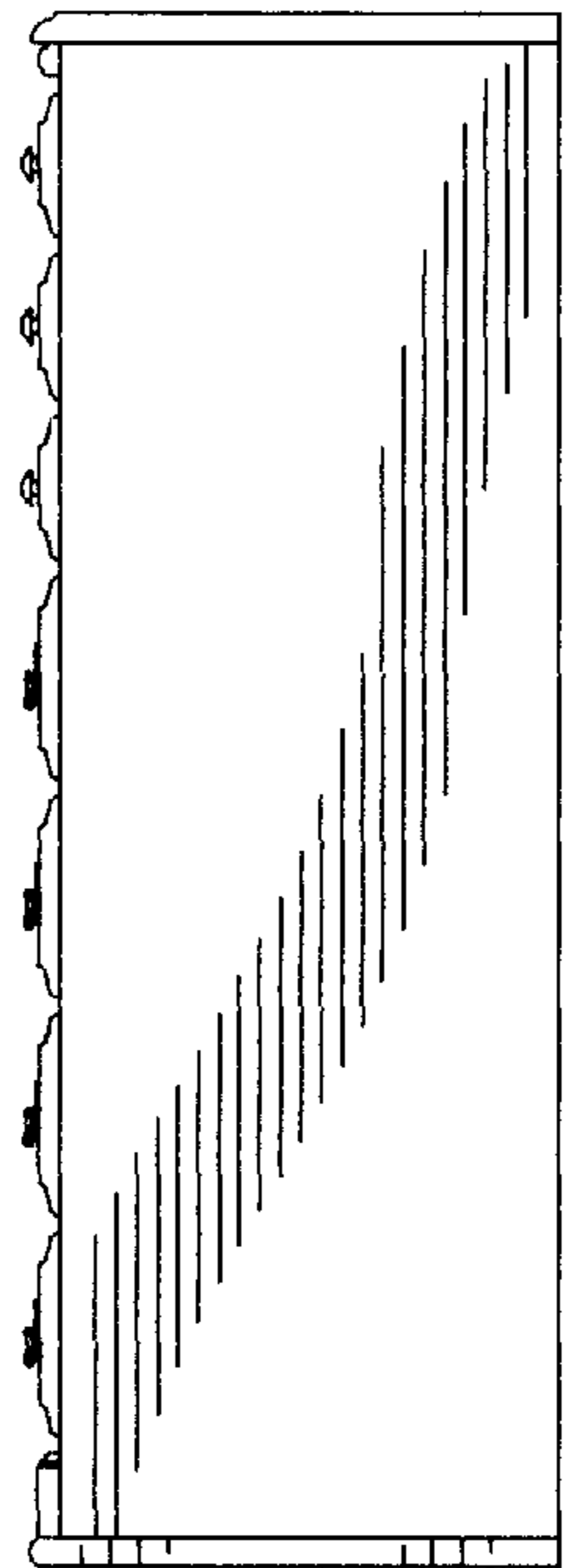


FIG. 3