



US00D405979S

# United States Patent [19]

Kramer et al.

[11] Patent Number: **Des. 405,979**

[45] Date of Patent: **\*\*Feb. 23, 1999**

[54] **COMPUTER DESK**

2,944,861 7/1960 Lessin ..... 108/60  
3,588,210 6/1971 Des Marais ..... 312/196

[75] Inventors: **Edward J. Kramer**, Seattle, Wash.;  
**Robert E. Dilgard**, Cincinnati, Ohio

*Primary Examiner*—Carmen H. Vales-Lado  
*Attorney, Agent, or Firm*—Jensen & Putigam, P.S.

[73] Assignee: **Synsor Corp.**, Cincinnati, Ohio

[57] **CLAIM**

[\*\*] Term: **14 Years**

The ornamental design for a computer desk, as shown and described.

[21] Appl. No.: **80,861**

### DESCRIPTION

[22] Filed: **Dec. 16, 1997**

[51] **LOC (6) Cl.** ..... **06-04**

[52] **U.S. Cl.** ..... **D6/421; D6/484**

[58] **Field of Search** ..... D6/421-428, 484,  
D6/482; 312/194-196; 108/59, 60

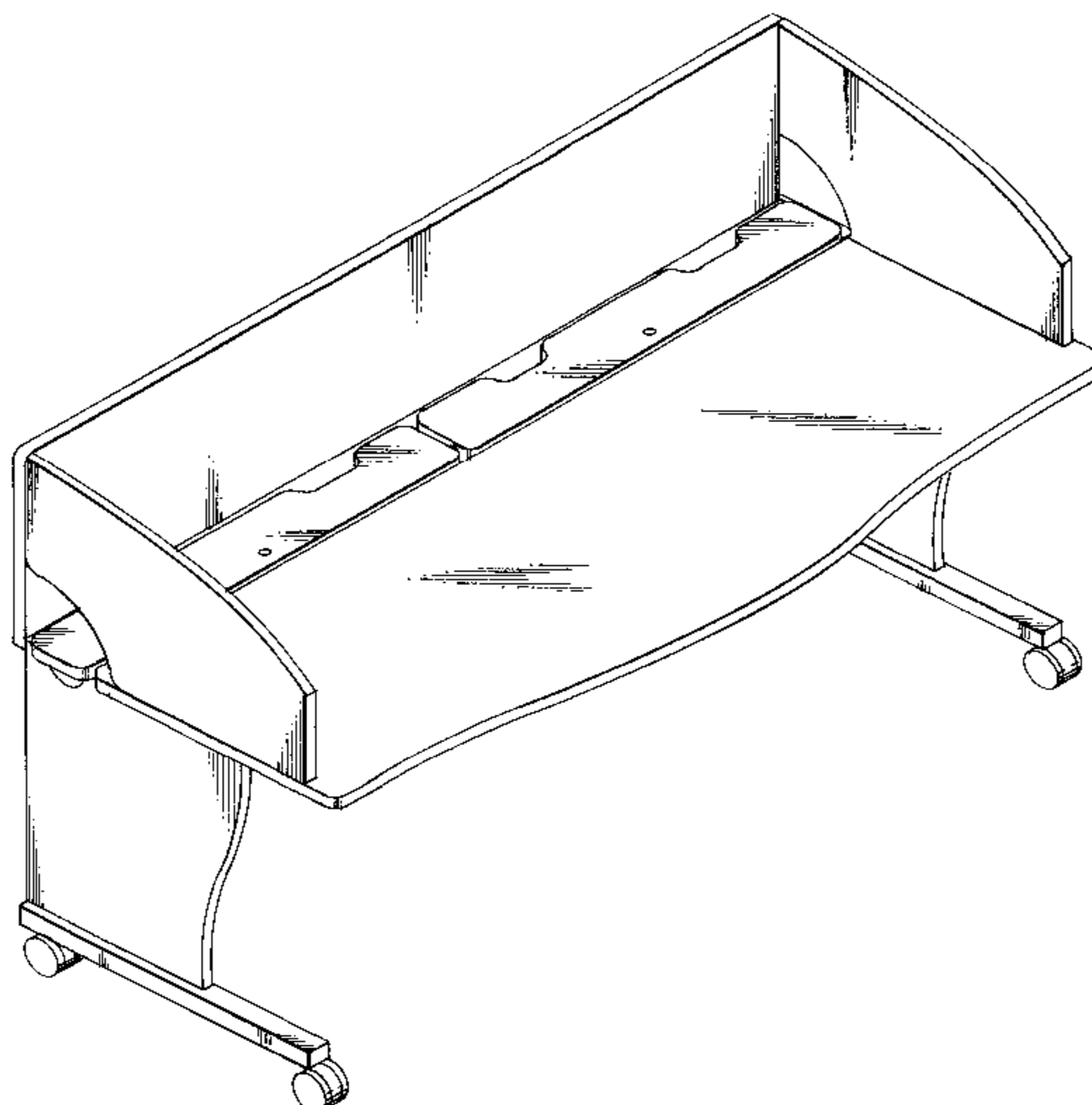
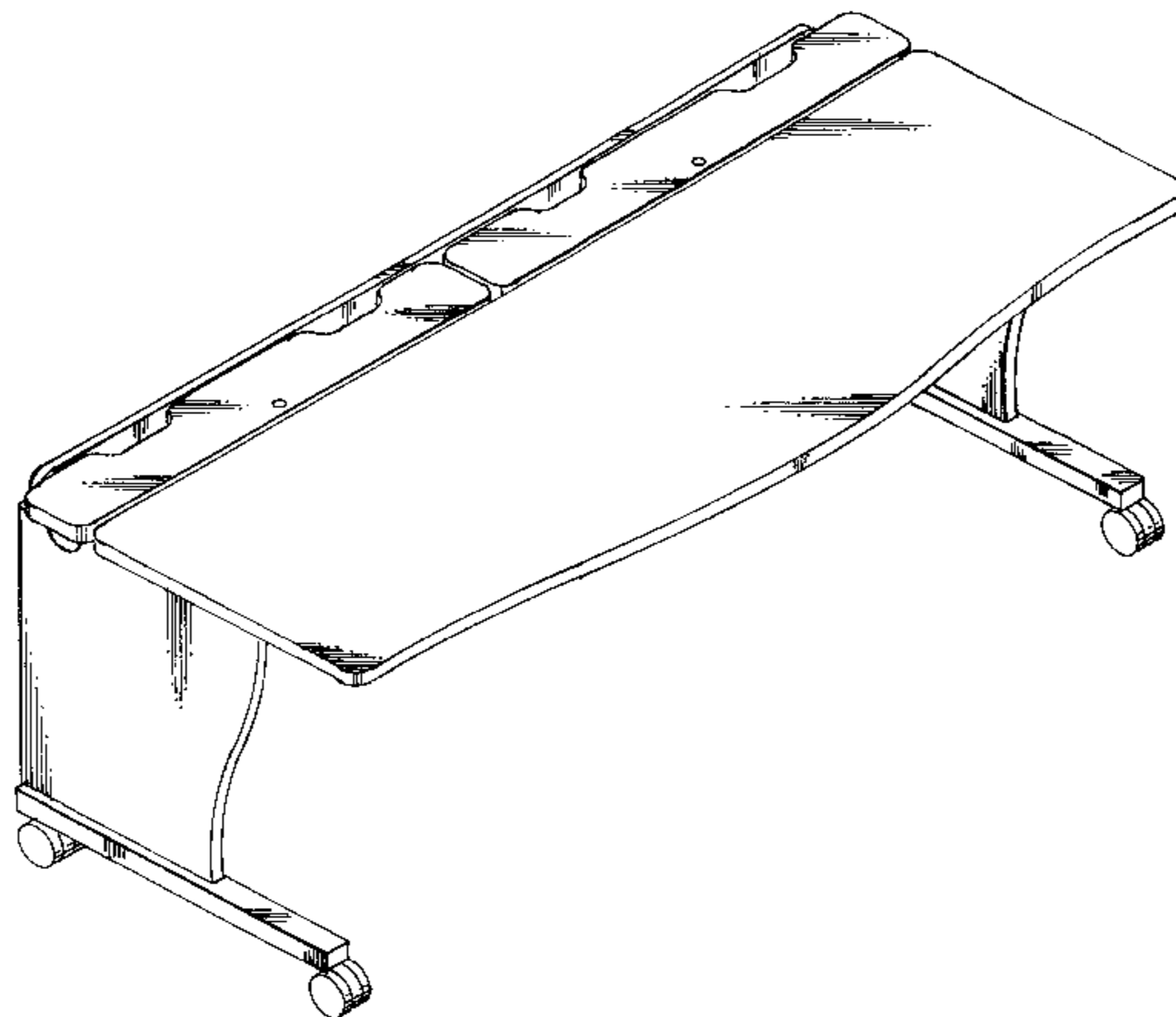
FIG. 1 is a perspective view of a computer desk showing our new design;  
FIG. 2 is a front elevational view thereof;  
FIG. 3 is a side elevational view, the other side being a mirror image thereof;  
FIG. 4 is a rear elevational view thereof;  
FIG. 5 is a bottom plan view thereof;  
FIG. 6 is a perspective view of a second embodiment of a computer desk shown in FIG. 1;  
FIG. 7 is a front elevational view thereof;  
FIG. 8 is a side elevational view, the other side being a mirror image thereof;  
FIG. 9 is a rear elevational view thereof; and,  
FIG. 10 is a bottom plan view thereof.

### [56] References Cited

#### U.S. PATENT DOCUMENTS

D. 325,833	5/1992	Saotome	.....	D6/484
D. 334,103	3/1993	Koguma	.....	D6/484
D. 374,787	10/1996	Stoddard et al.	.....	D6/484
D. 388,981	1/1998	Gongora et al.	.....	D6/482
D. 390,399	2/1998	Camilo	.....	D6/482 X
D. 391,106	2/1998	Camilo	.....	D6/482 X
2,942,924	6/1960	Stangert	.....	108/60

**1 Claim, 4 Drawing Sheets**



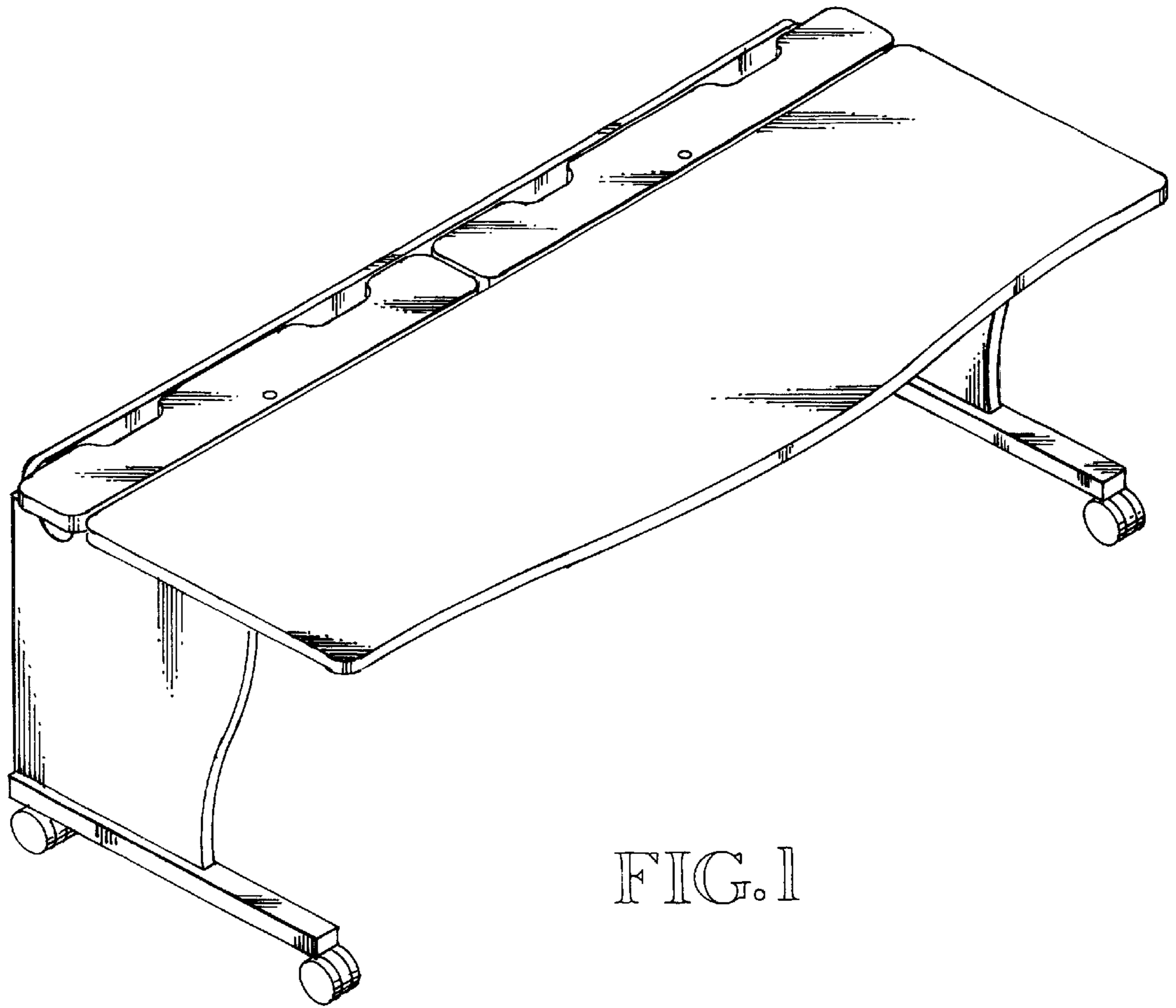


FIG. 1

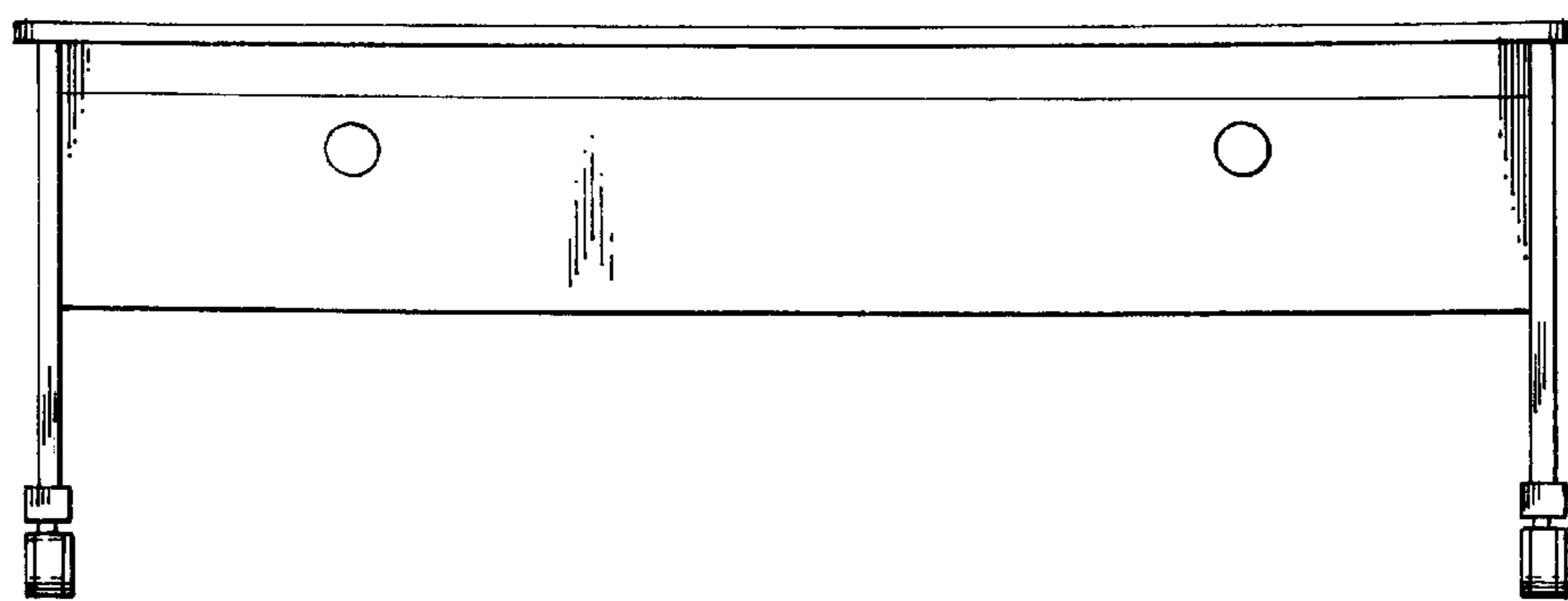


FIG. 2

FIG. 3

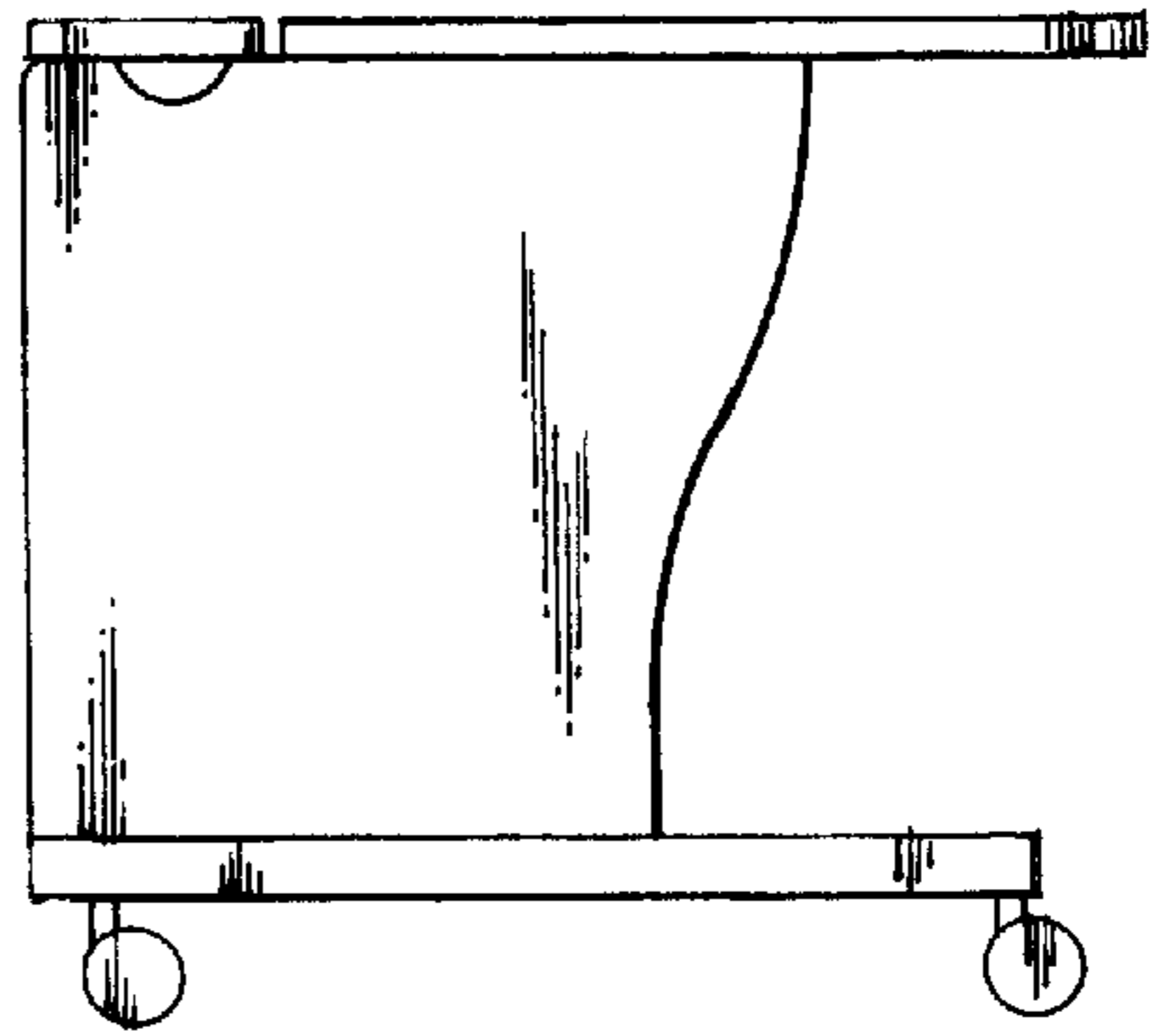


FIG. 4

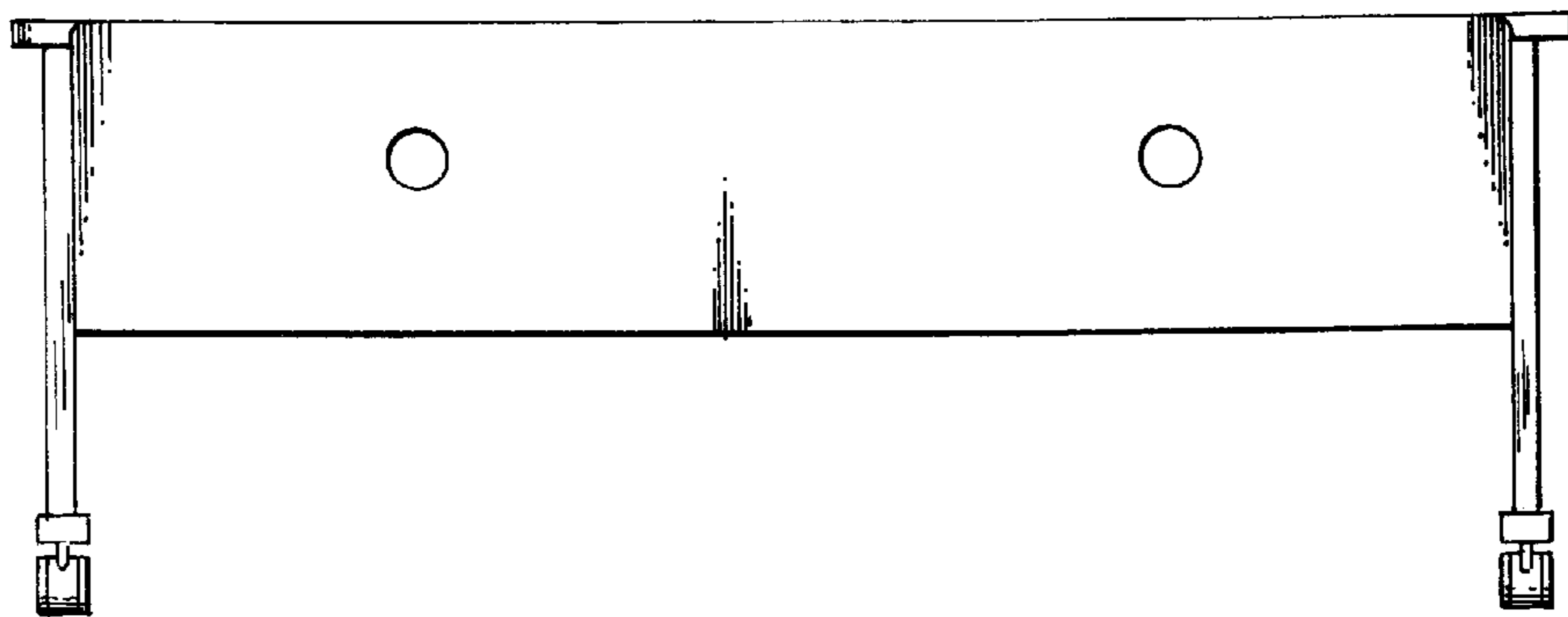


FIG. 5

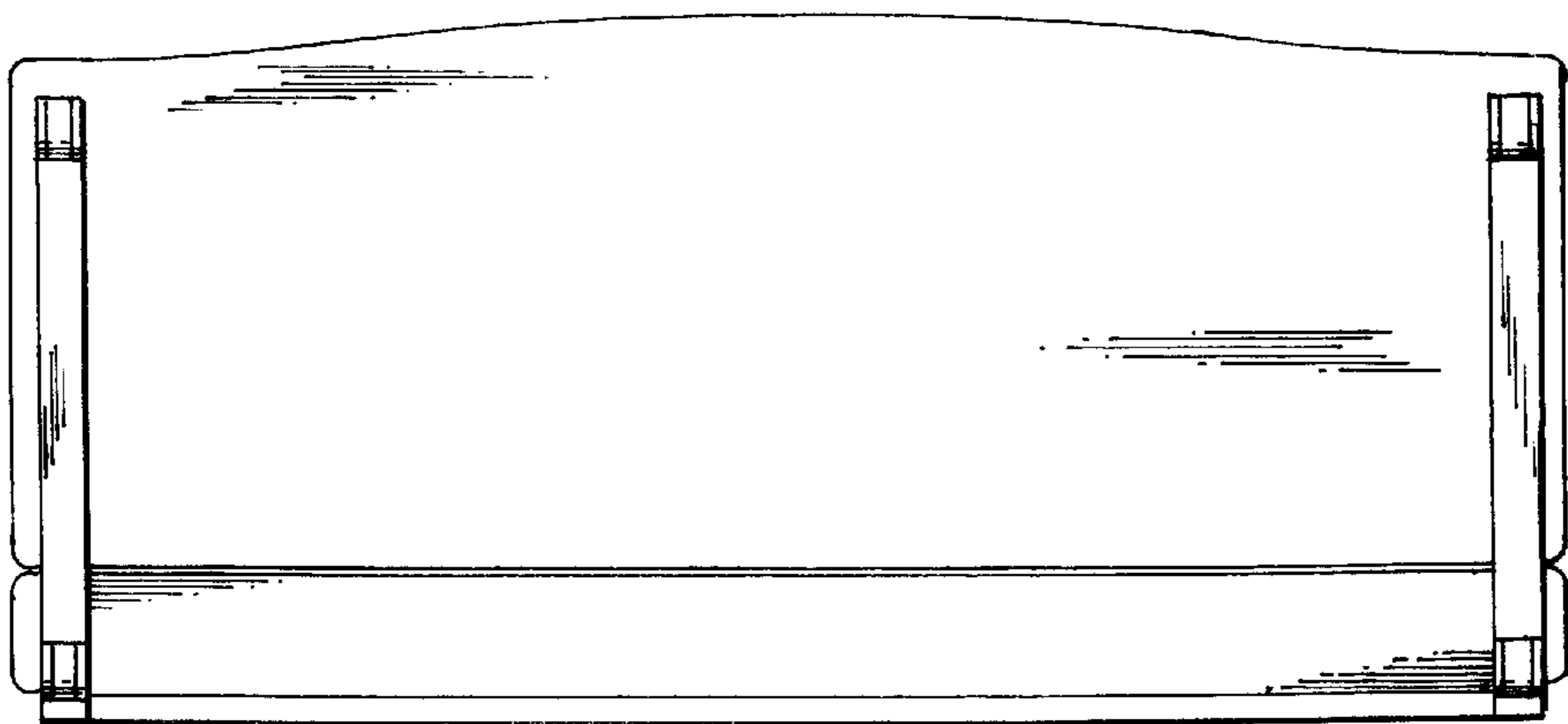


FIG. 6

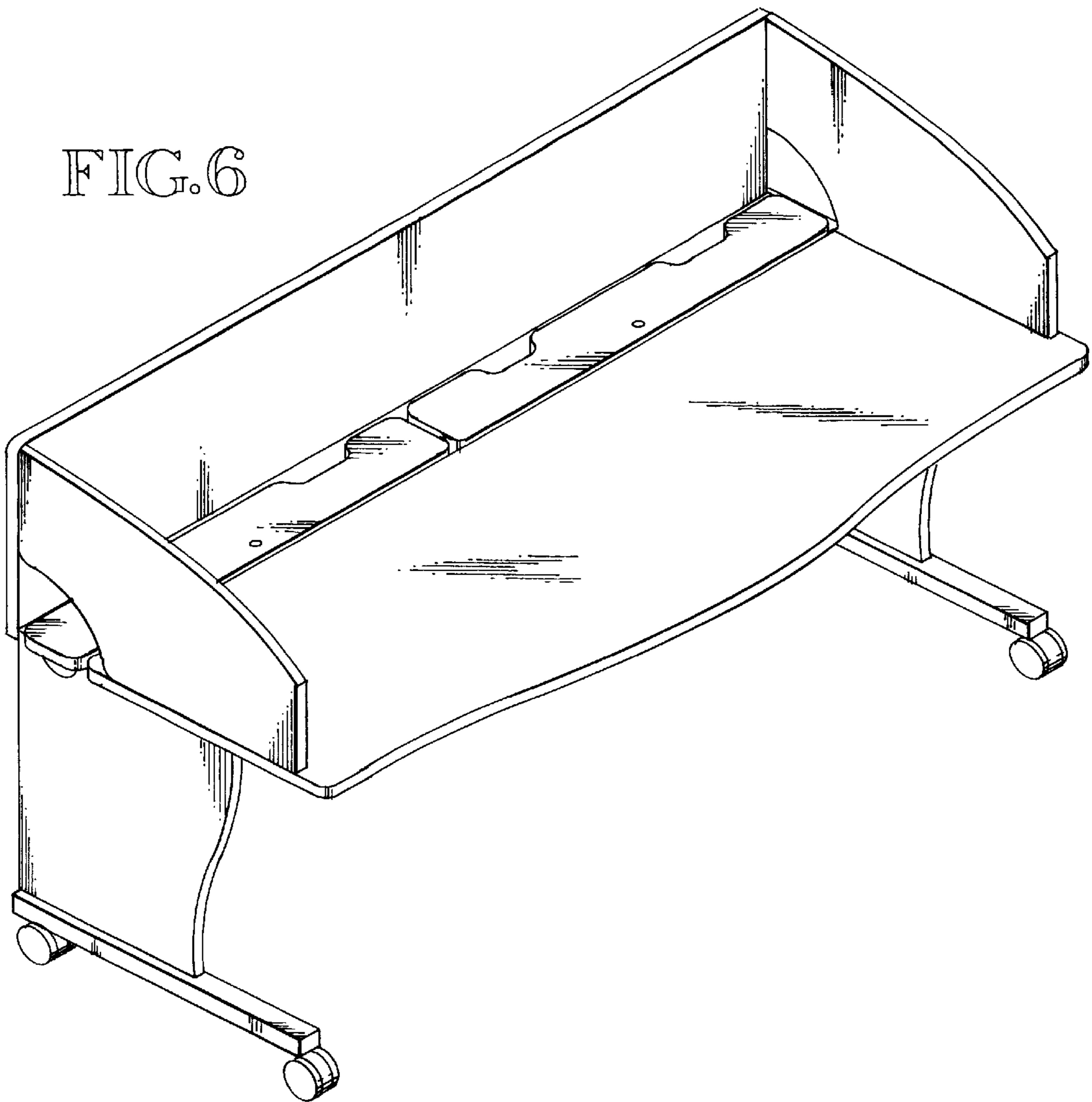


FIG. 7

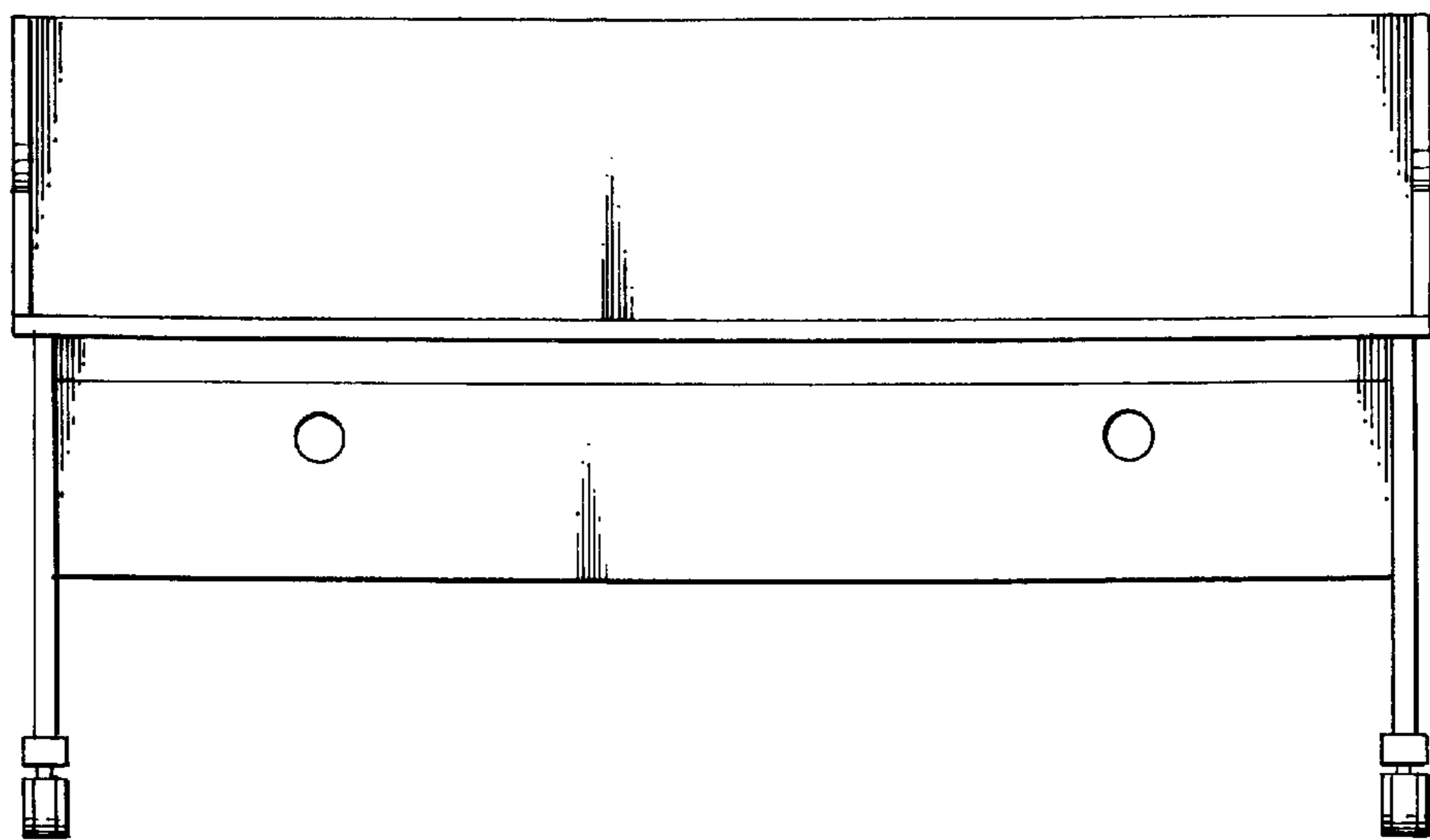


FIG. 8

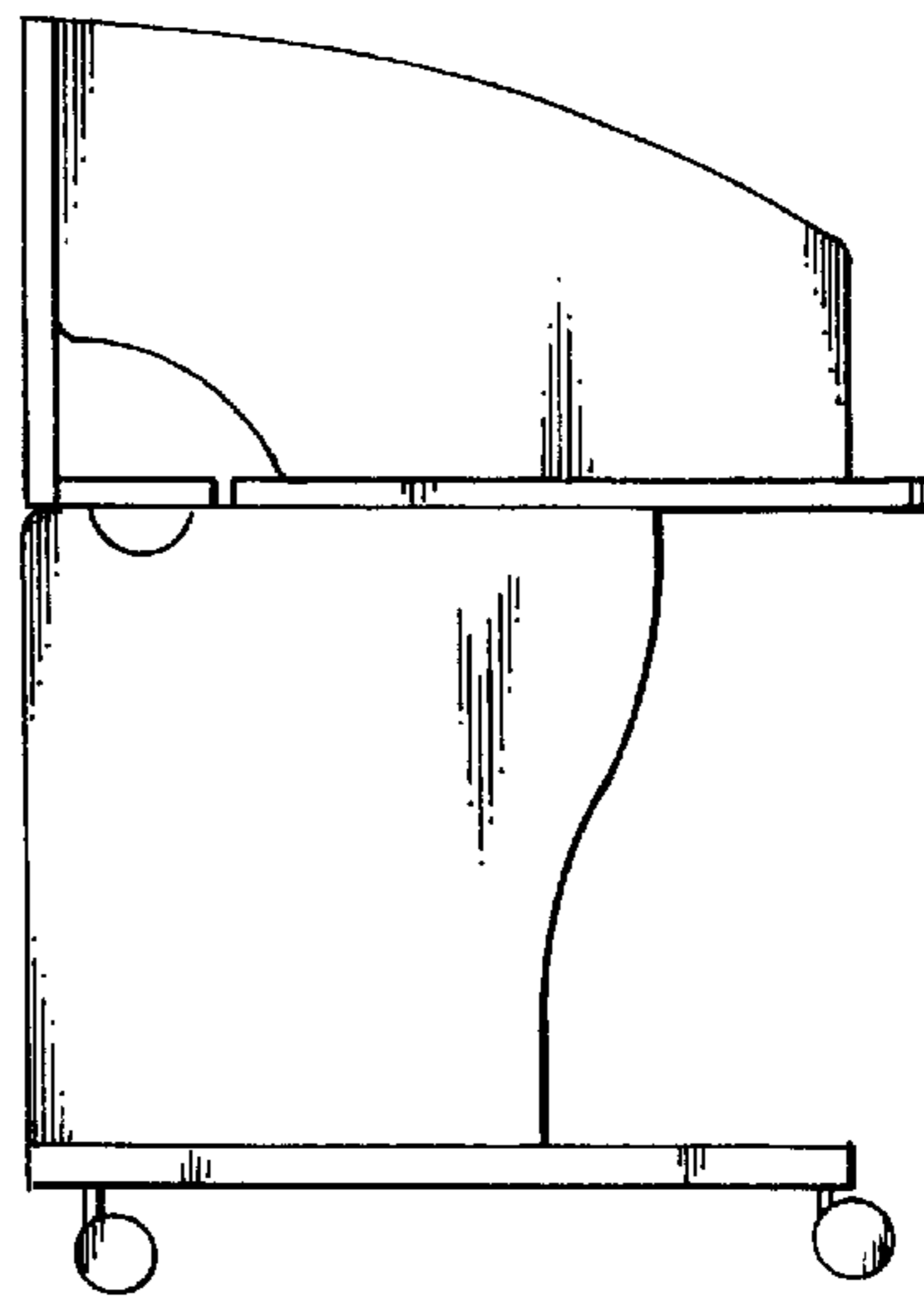


FIG. 9

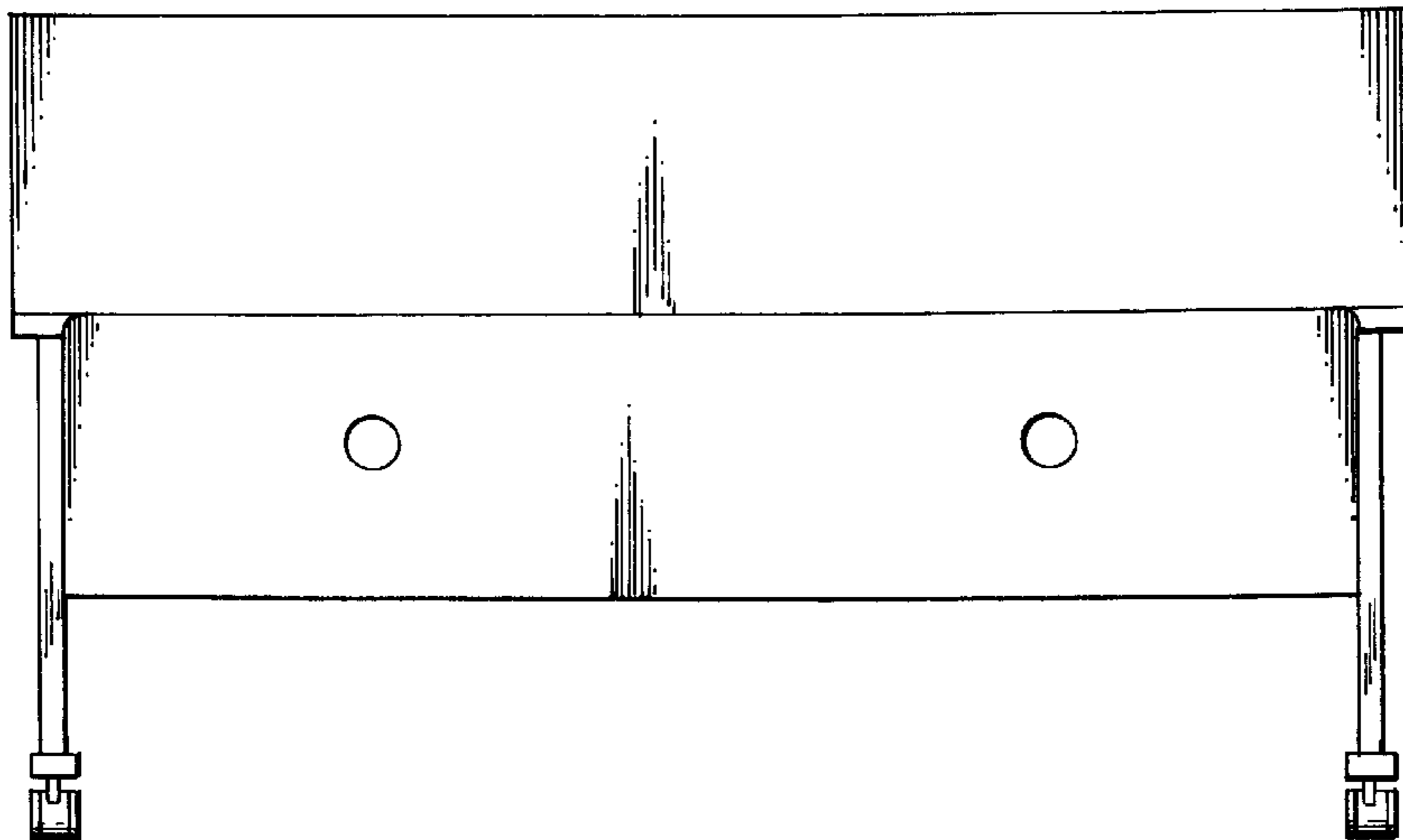


FIG. 10

